



US00D747645S

(12) **United States Design Patent**  
**Pascoe**

(10) **Patent No.:** **US D747,645 S**  
(45) **Date of Patent:** **\*\* Jan. 19, 2016**

(54) **ARROWHEAD BOLT COVER**

(71) Applicant: **James J. Pascoe**, Smithville, MO (US)

(72) Inventor: **James J. Pascoe**, Smithville, MO (US)

(\*\*) Term: **14 Years**

(21) Appl. No.: **29/523,687**

(22) Filed: **Apr. 13, 2015**

(51) **LOC (10) Cl.** ..... **08-08**

(52) **U.S. Cl.**  
USPC ..... **D8/397**

(58) **Field of Classification Search**  
USPC ..... D8/397, 394, 382, 349, 312, 107, 399;  
D11/222; D2/869  
CPC ..... F16L 19/0206; B60B 3/16; B60B 29/00;  
F16B 39/26; F16B 39/24; F16B 37/02;  
F16B 31/02; H01R 9/0524  
See application file for complete search history.

(56) **References Cited**

**U.S. PATENT DOCUMENTS**

D249,227 S *	9/1978	Ismert, III	.....	D8/387
D638,698 S *	5/2011	Sprinkmann	.....	D8/397
D669,411 S *	10/2012	Lyons	.....	D12/213
D684,455 S *	6/2013	Relyea	.....	D8/397
D687,758 S *	8/2013	Lyons	.....	D12/213
D704,044 S *	5/2014	Makino	.....	D8/397
D712,712 S *	9/2014	Liu	.....	D8/14
D717,273 S *	11/2014	Thomas	.....	D14/205
D738,714 S *	9/2015	Kuhmichel	.....	D8/397

\* cited by examiner

*Primary Examiner* — Cynthia Underwood

(74) *Attorney, Agent, or Firm* — Law Office of Mark Brown, LLC; Mark E. Brown

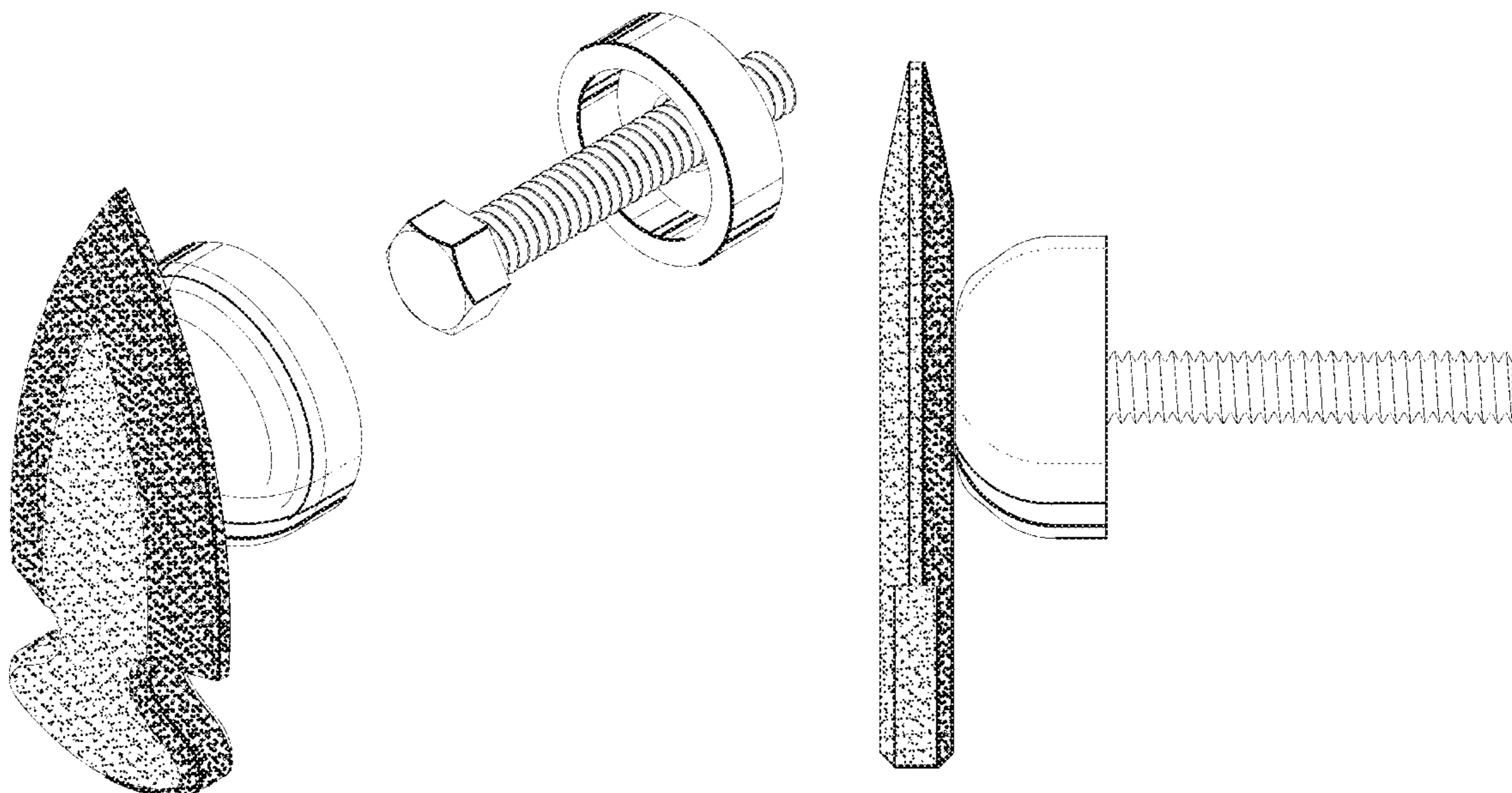
(57) **CLAIM**

The ornamental design for an arrowhead bolt cover, as shown and described.

**DESCRIPTION**

FIG. 1 is an exploded, front, perspective view of an arrowhead bolt cover, shown in an open state;  
 FIG. 2 is an exploded, back, perspective view thereof;  
 FIG. 3 is an exploded, right side elevational view thereof; the left side is a mirror image thereof;  
 FIG. 4 is an exploded top plan view thereof;  
 FIG. 5 is an exploded bottom plan view thereof;  
 FIG. 6 is a right side elevational view thereof, shown in a closed state, the left side is a mirror image thereof;  
 FIG. 7 is a top elevational view thereof;  
 FIG. 8 is a bottom elevational view thereof;  
 FIG. 9 is a front elevational view thereof;  
 FIG. 10 is a back elevational view thereof;  
 FIG. 11 is a front, exploded, perspective environmental view thereof, shown reduced in scale;  
 FIG. 12 is a front, perspective environmental view showing one exploded and one arrowhead bolt cover in a closed state and reduced in scale; and,  
 FIG. 13 is a front, perspective environmental view showing one exploded and three arrowhead bolt covers in a closed state and reduced in scale.  
 The broken lines in the drawings depict environmental subject matter/or parts of the invention only and form no part of the claimed design.

**1 Claim, 10 Drawing Sheets**



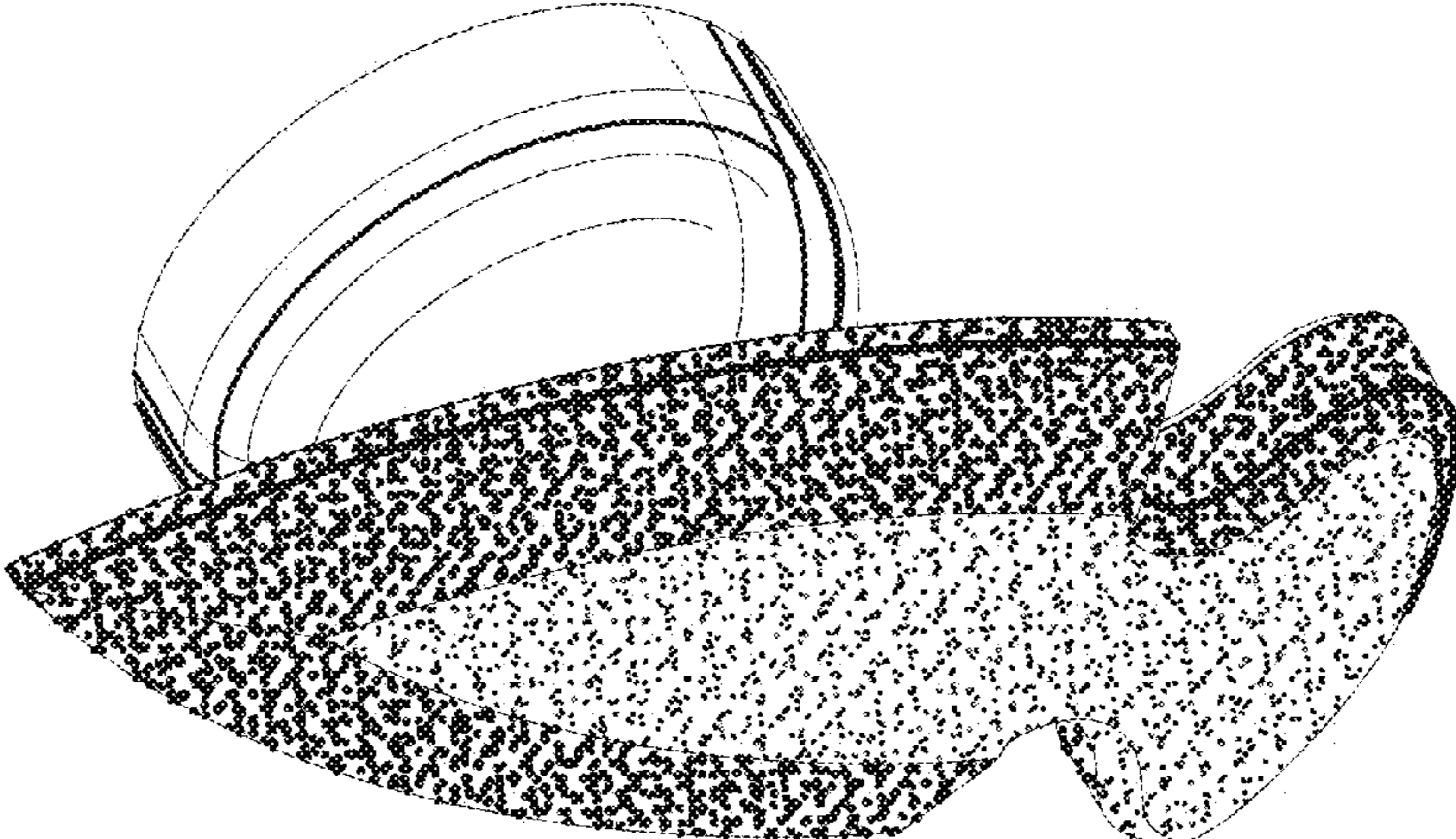
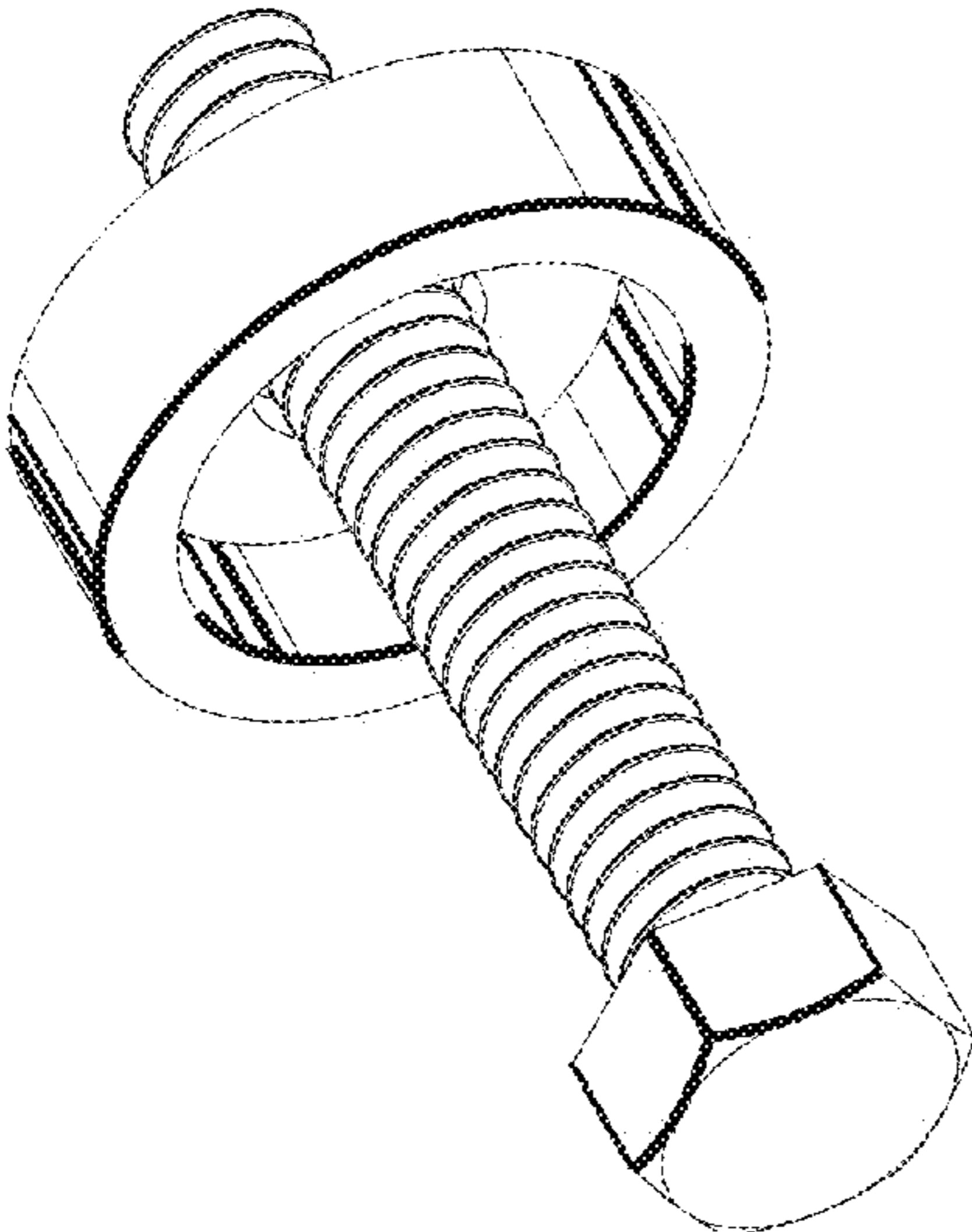


FIG. 1

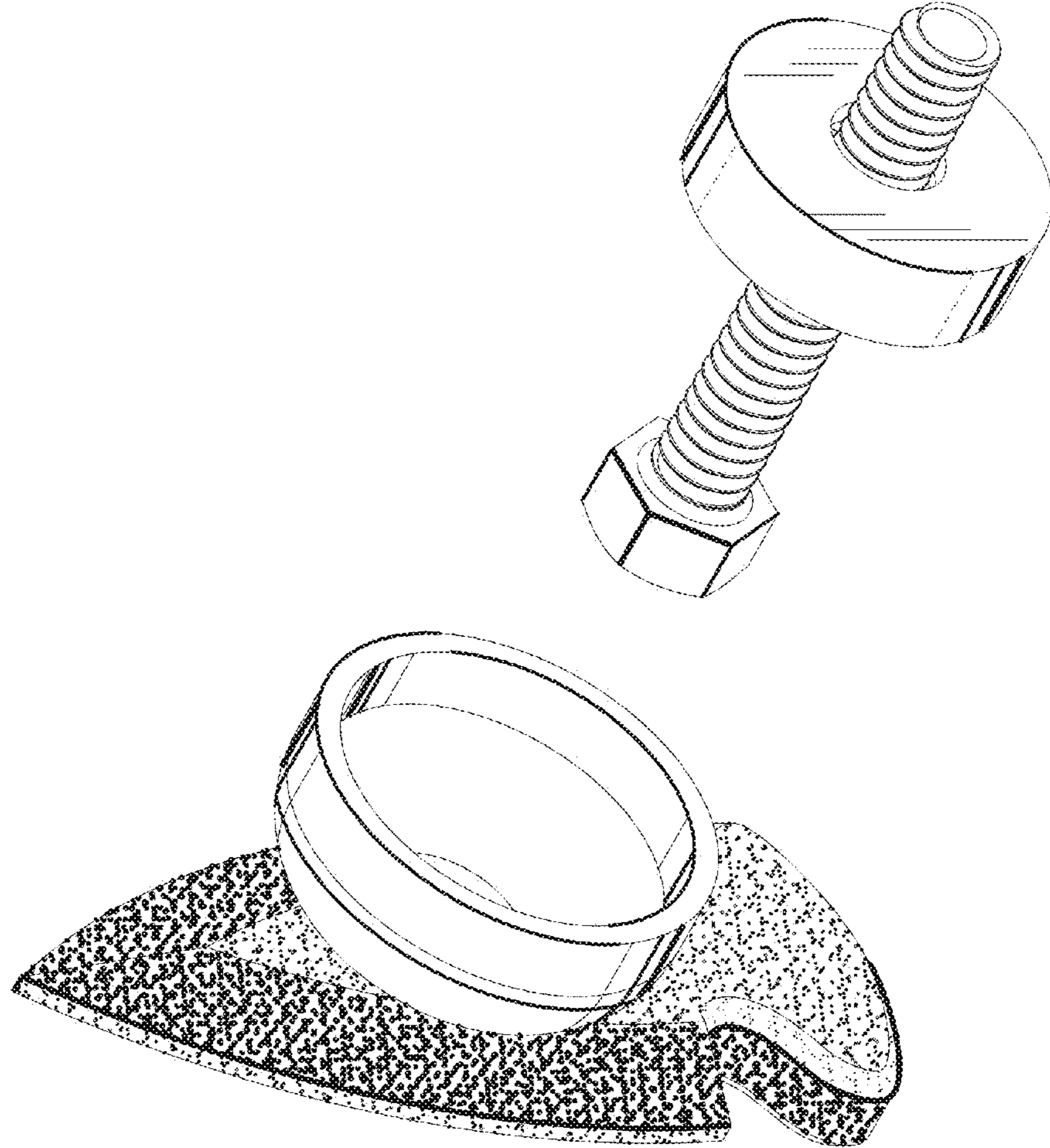


FIG. 2



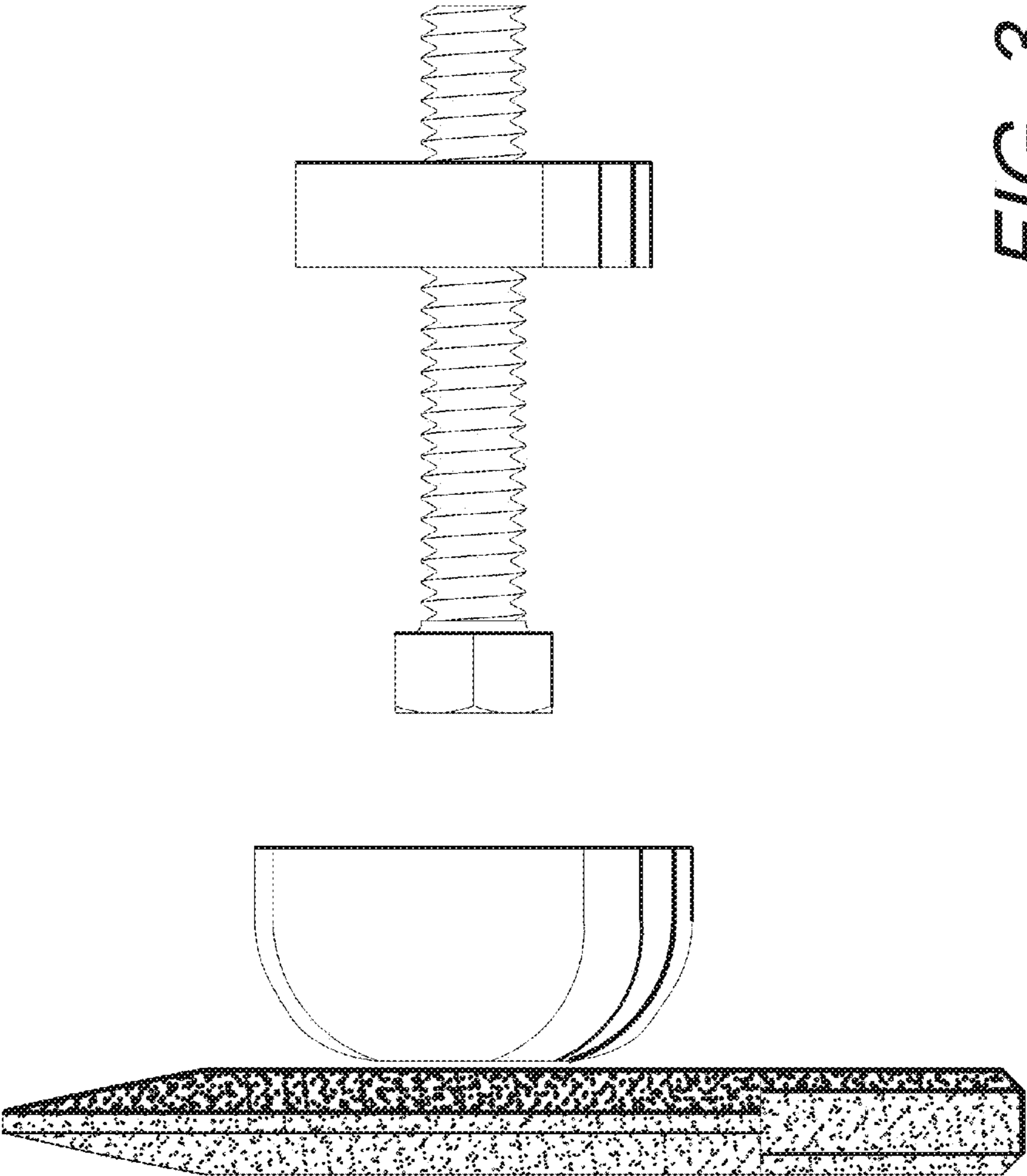
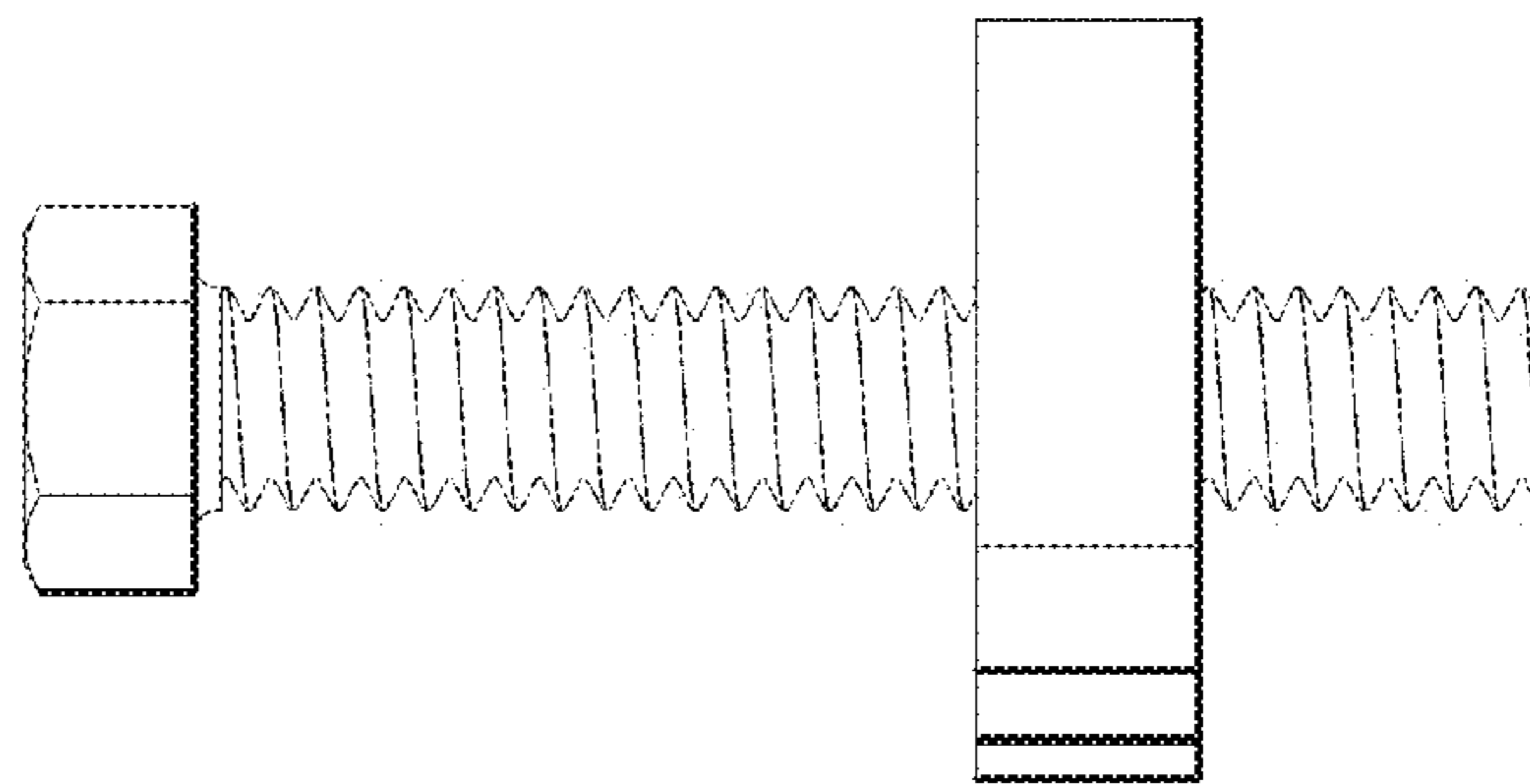
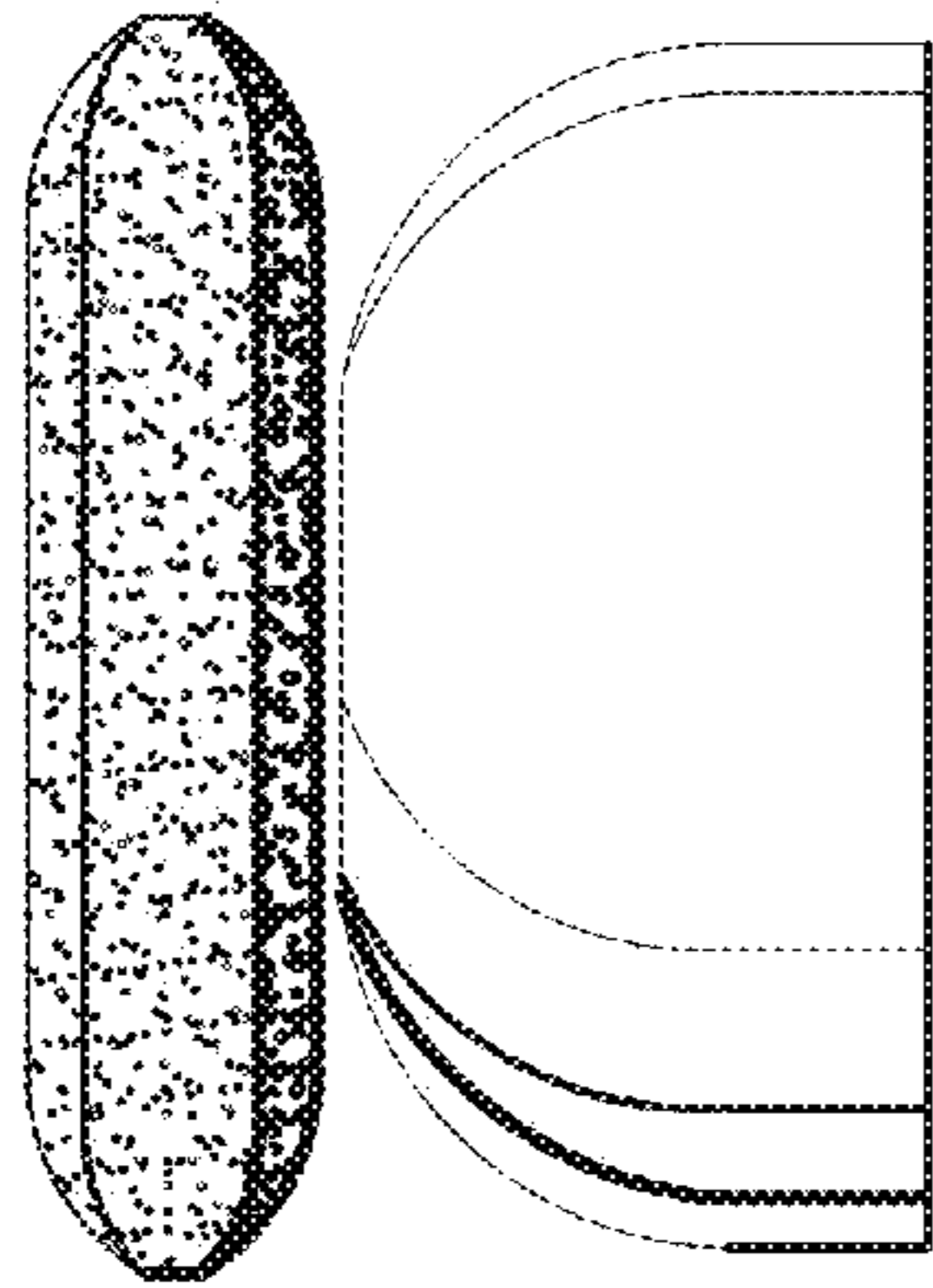
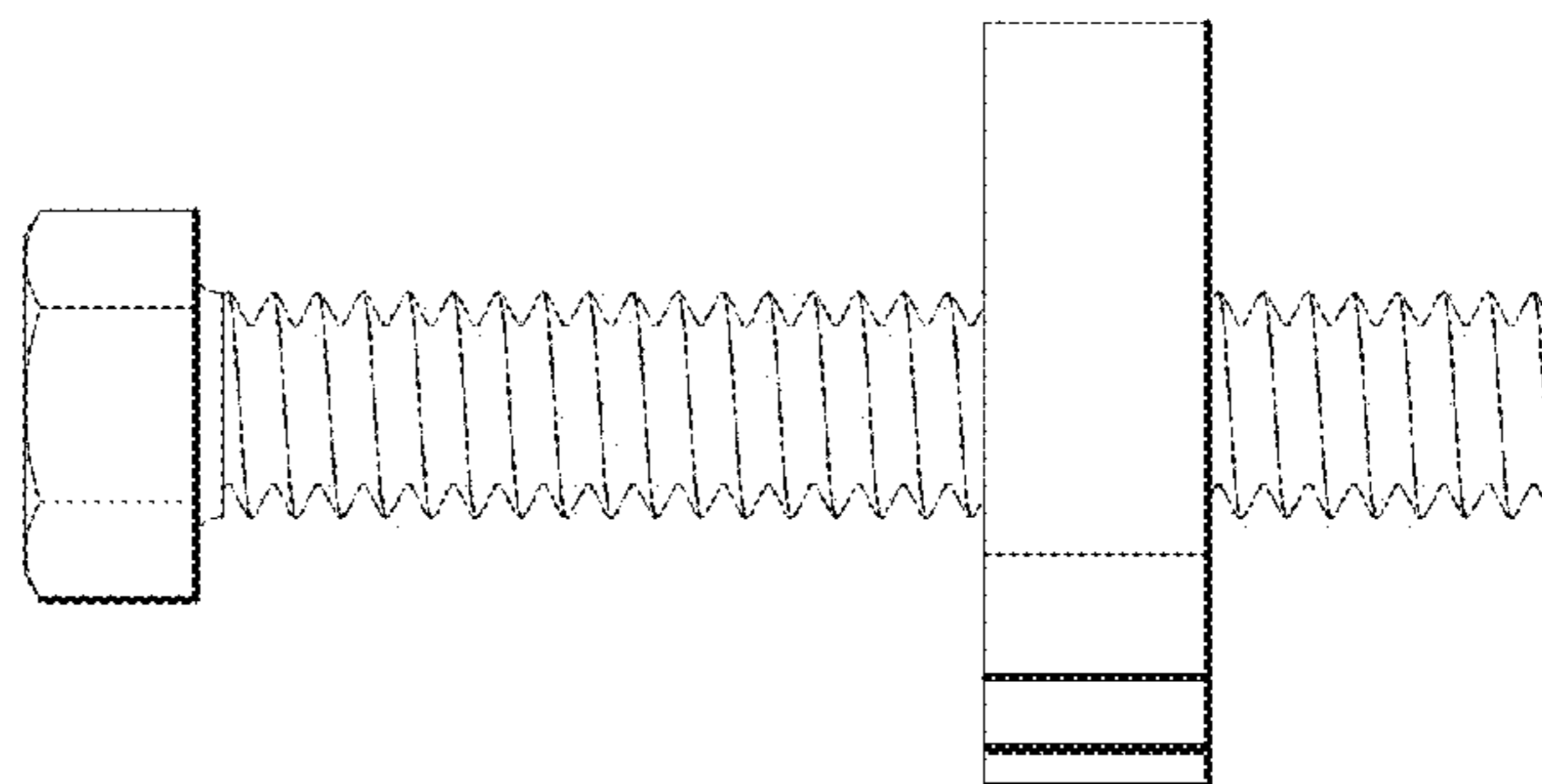
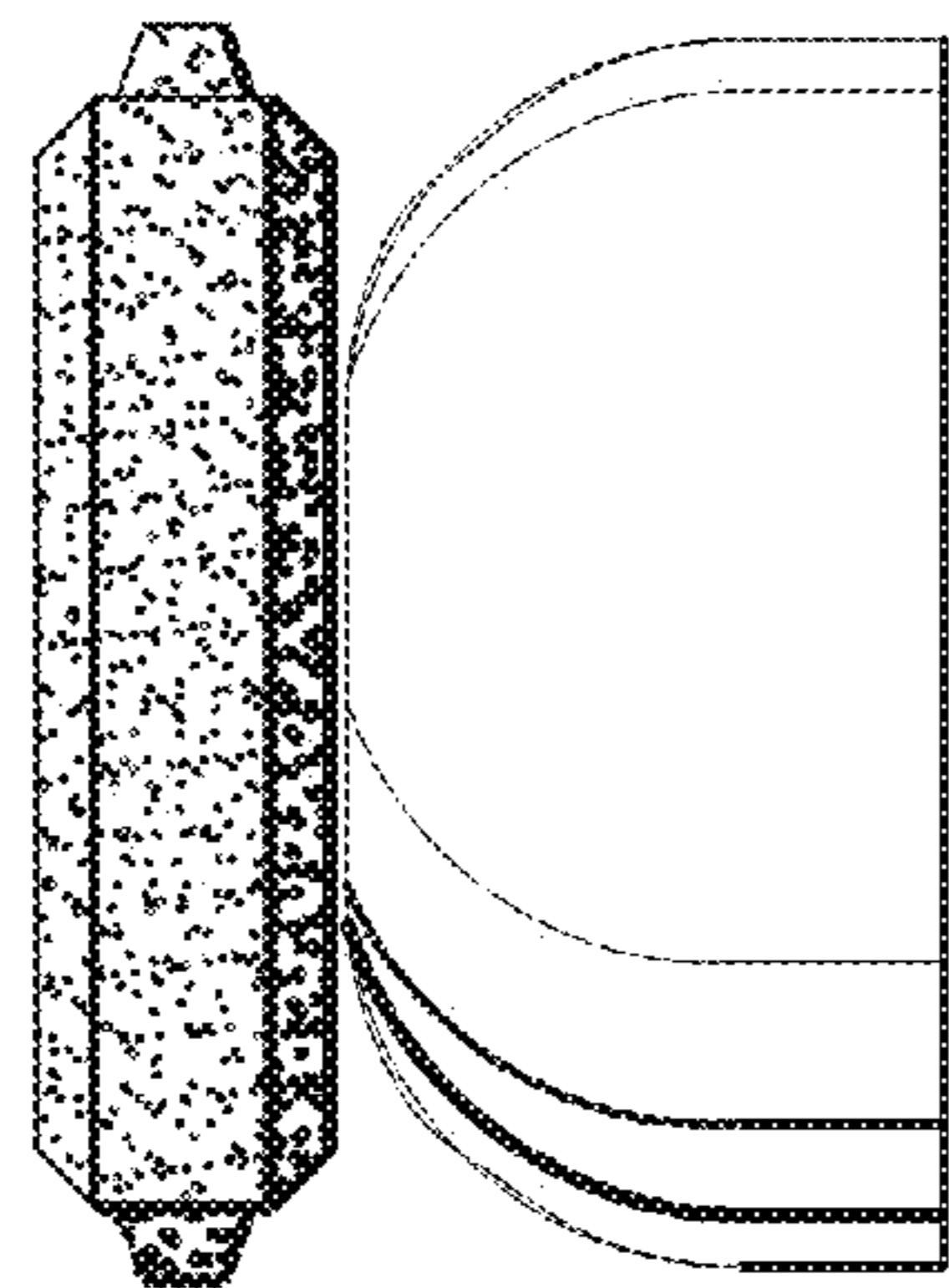


FIG. 3



*FIG. 4*



*FIG. 5*

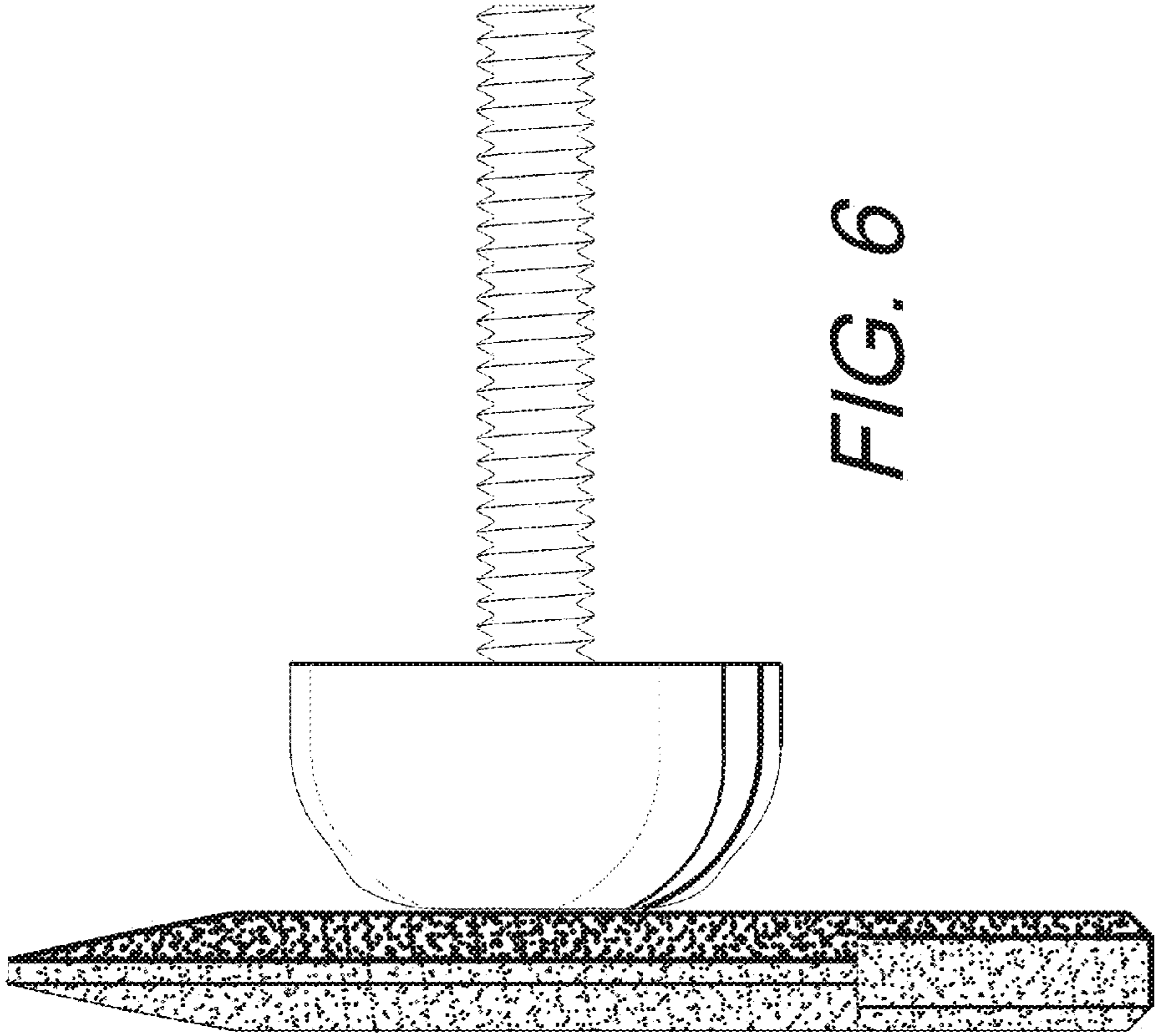
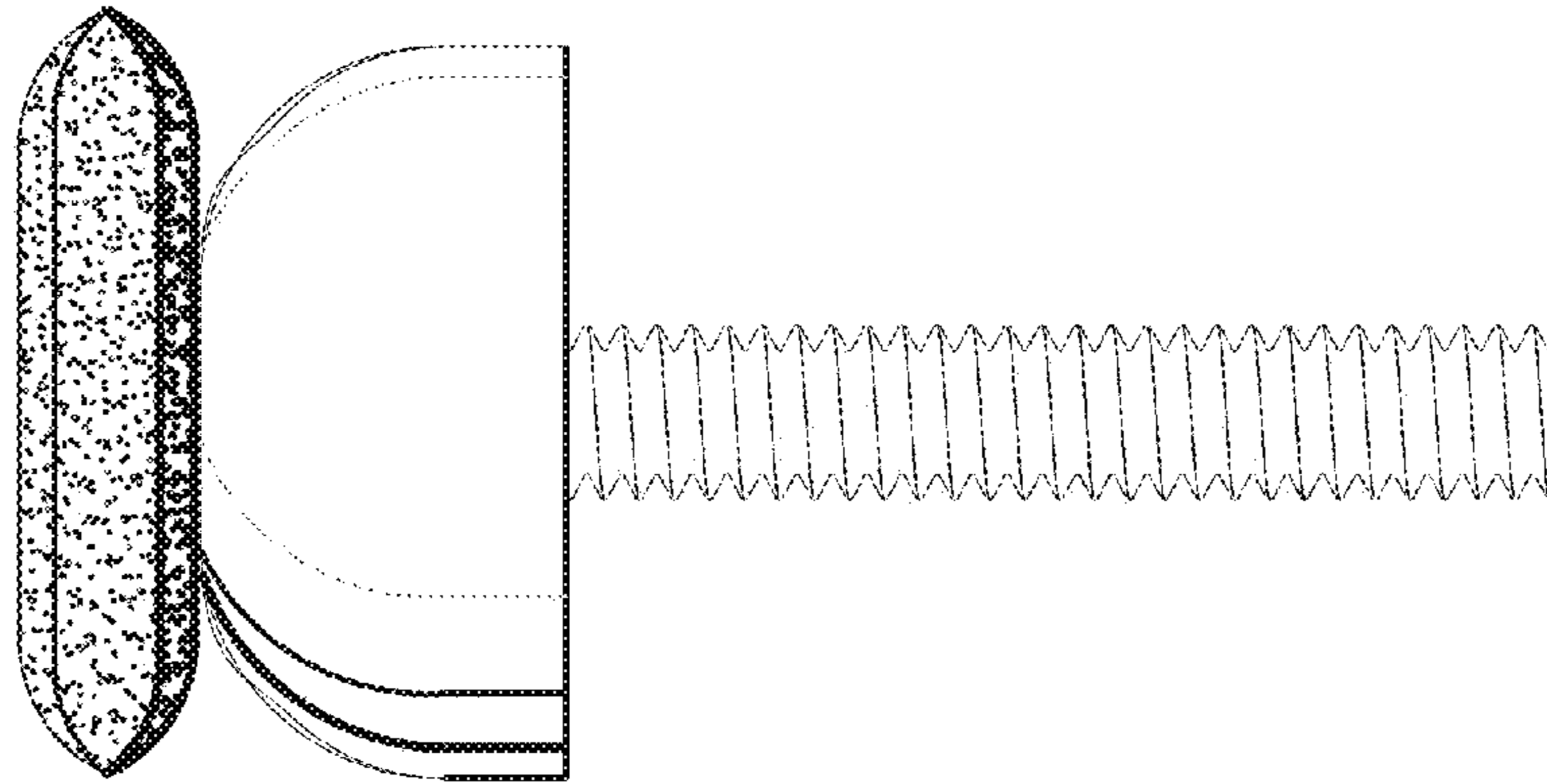
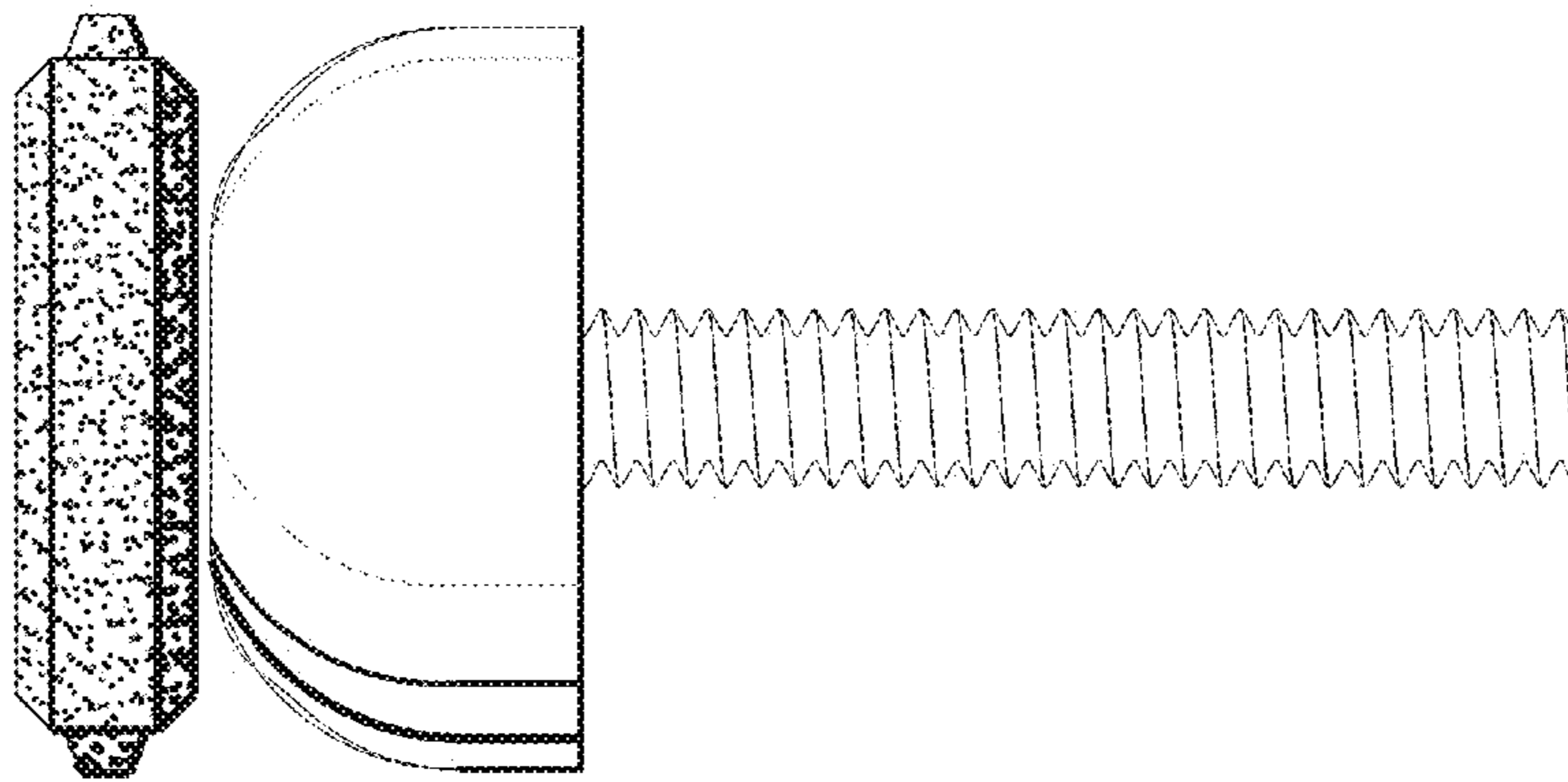


FIG. 6



*FIG. 7*



*FIG. 8*



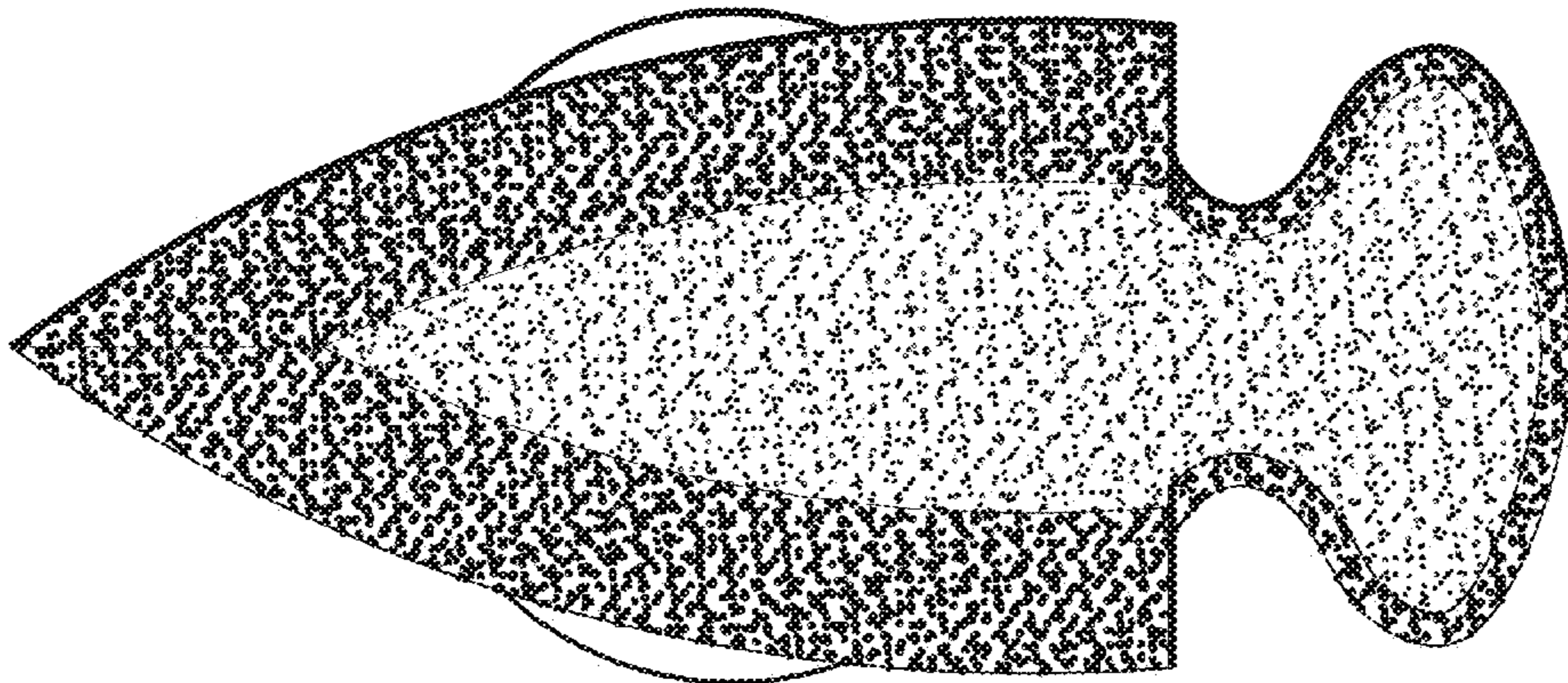


FIG. 9

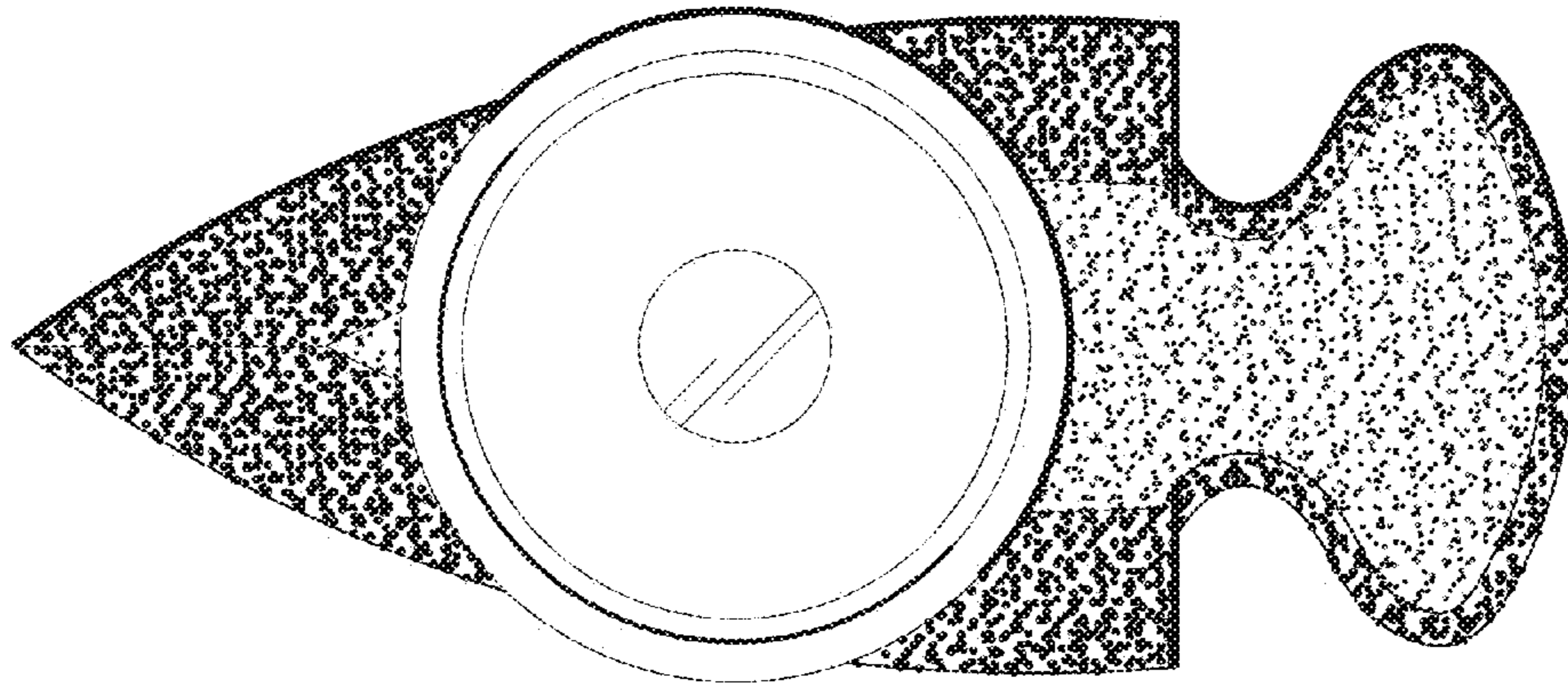


FIG. 10



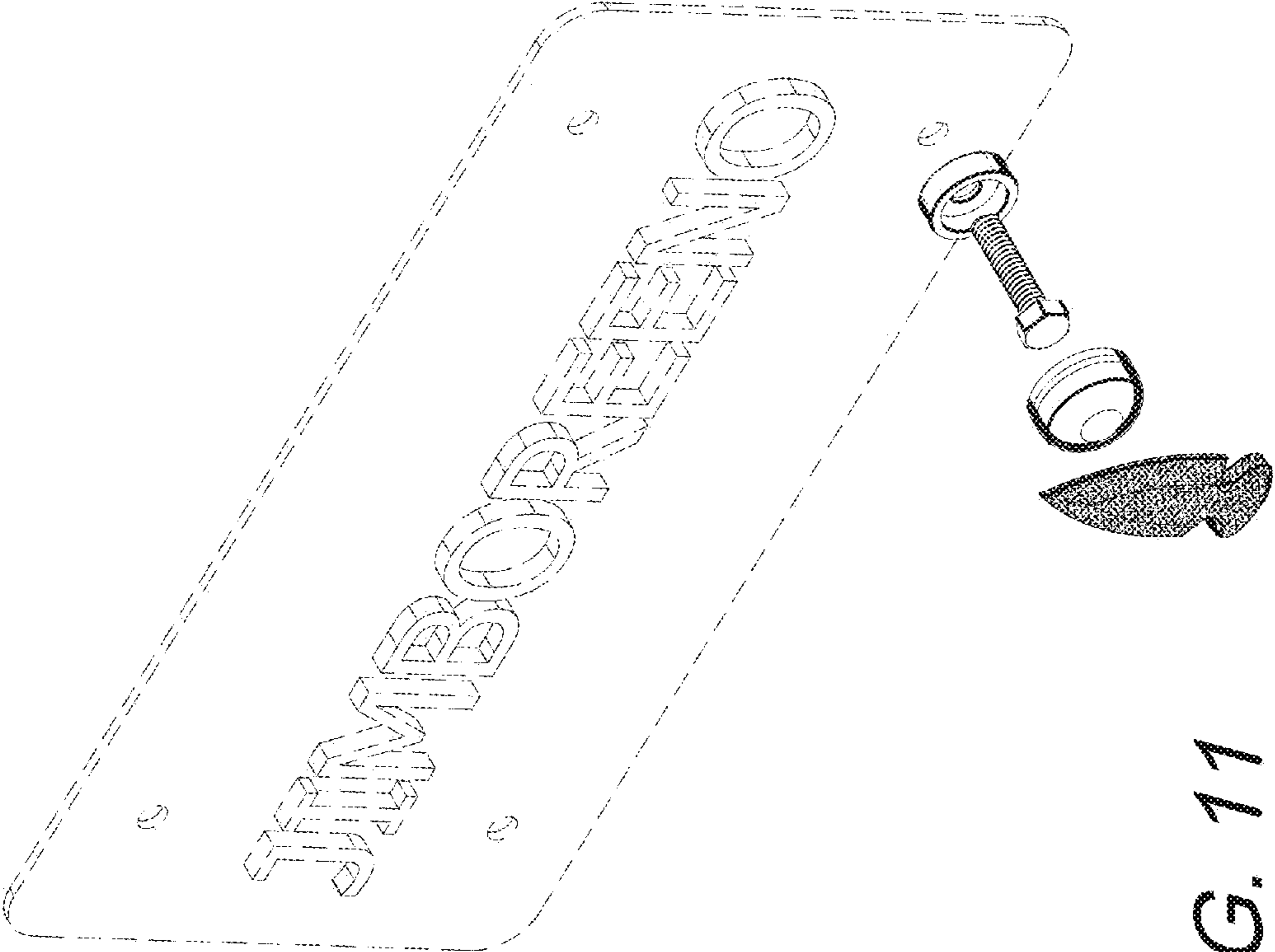


FIG. 11

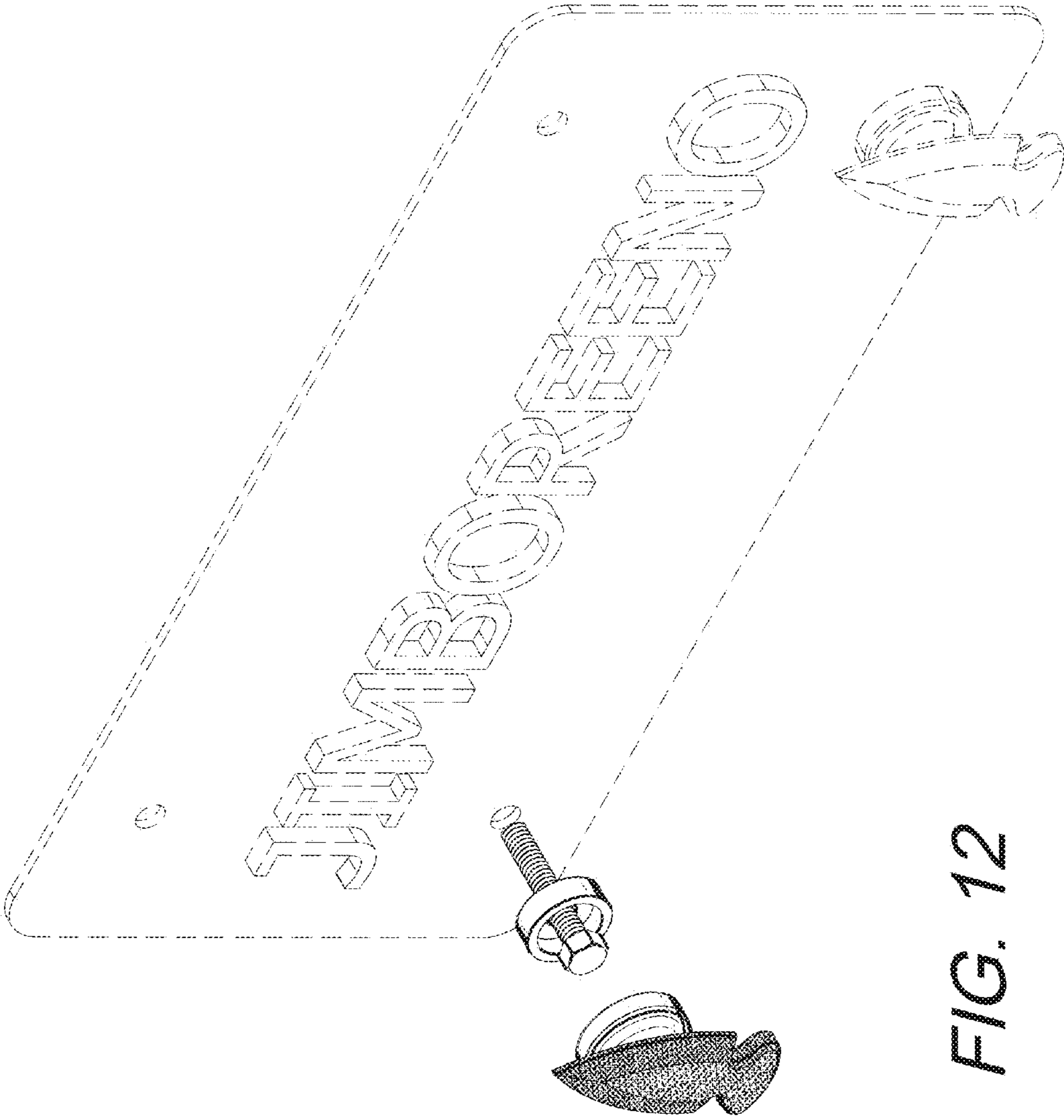


FIG. 12

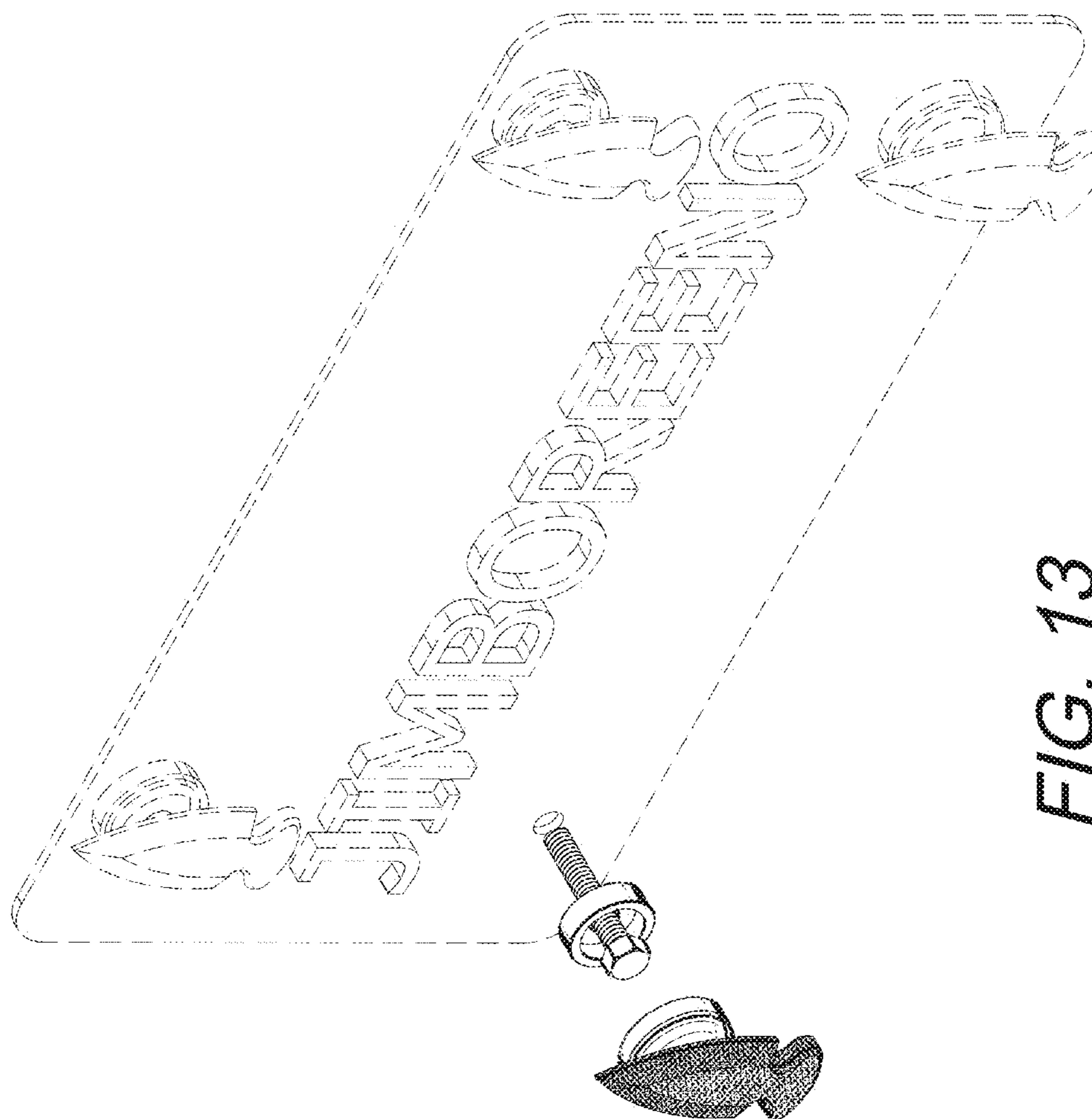


FIG. 13