



US00D747644S

(12) **United States Design Patent**  
**Snider**

(10) **Patent No.:** **US D747,644 S**  
(45) **Date of Patent:** **\*\* Jan. 19, 2016**

(54) **LEVER-ACTUATED SUCTION CUP**

(74) *Attorney, Agent, or Firm* — Gerald E. Hespos; Michael J. Porco; Matthew T. Hespos

(71) Applicant: **MSA Products, Inc.**, Nyack, NY (US)

(72) Inventor: **Martin Snider**, New City, NY (US)

(57) **CLAIM**

The ornamental design for a lever-actuated suction cup, as shown and described.

(73) Assignee: **MSA Products, Inc.**, Nyack, NY (US)

(\*\*) Term: **14 Years**

**DESCRIPTION**

(21) Appl. No.: **29/455,555**

(22) Filed: **May 22, 2013**

(51) **LOC (10) Cl.** ..... **08-08**

(52) **U.S. Cl.**  
USPC ..... **D8/394**

(58) **Field of Classification Search**  
USPC ..... D8/394, 395, 396, 308, 367, 349, 373;  
248/205.5, 205.6, 205.7, 205.8, 205.9,  
248/206.2

CPC ..... F16B 47/00; B60R 2011/0056  
See application file for complete search history.

FIG. 1 is a perspective view of a lever-actuated suction cup in accordance with my design, prior to actuation of the lever; FIG. 2 is a top plan view of the lever-actuated suction cup with the lever in the orientation shown in FIG. 1; FIG. 3 is a front elevational view of the lever-actuated suction cup with the lever in the orientation shown in FIG. 1; FIG. 4 is a right side elevational view of the lever-actuated suction cup with the lever in the orientation shown in FIG. 1, and with the left side elevational view being a mirror image; FIG. 5 is a rear elevational view of the lever-actuated suction cup with the lever in the orientation shown in FIG. 1; FIG. 6 is bottom plan view of the lever-actuated suction cup with the lever in the orientation shown in FIG. 1; FIG. 7 is a perspective view of the lever-actuated suction cup of FIGS. 1-6, after actuation of the lever; FIG. 8 is a top plan view of the lever-actuated suction cup with the lever in the orientation shown in FIG. 7; FIG. 9 is a front elevational view of the lever-actuated suction cup with the lever in the orientation shown in FIG. 7; FIG. 10 is a right side elevational view of the lever-actuated suction cup with the lever in the orientation shown in FIG. 7, and with the left side elevational view being a mirror image; FIG. 11 is a rear elevational view of the lever-actuated suction cup with the lever in the orientation shown in FIG. 7; and, FIG. 12 is bottom plan view of the lever-actuated suction cup with the lever in the orientation shown in FIG. 7.

(56) **References Cited**

U.S. PATENT DOCUMENTS

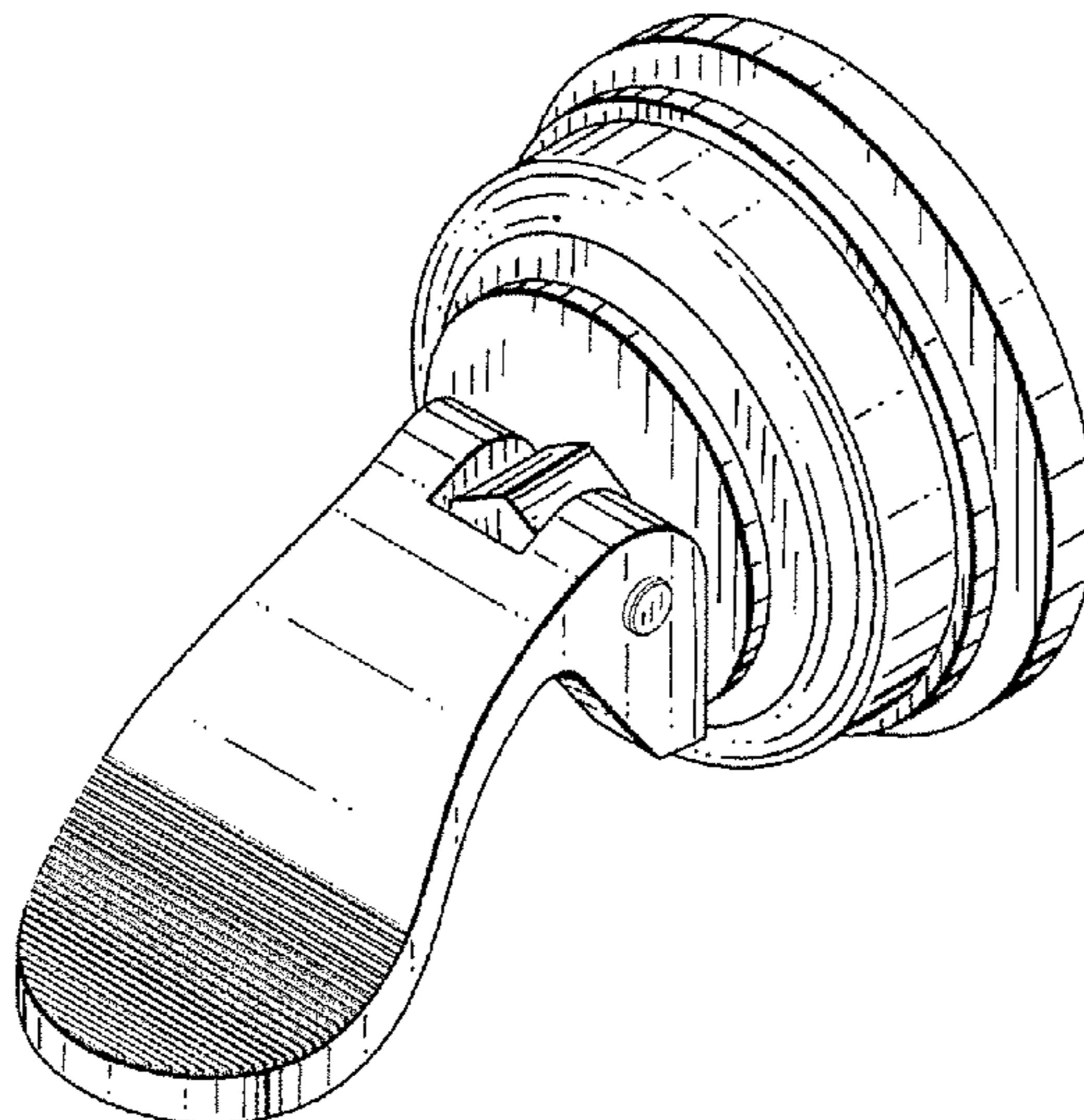
5,078,356	A *	1/1992	Adams	248/206.2
D391,009	S *	2/1998	Liu	D26/138
D401,499	S *	11/1998	Barry	D8/367
D408,725	S *	4/1999	Adams	D8/373
D415,673	S *	10/1999	Hampshire	D8/367
6,244,778	B1 *	6/2001	Chesbrough	403/51
6,308,923	B1 *	10/2001	Howard	248/205.5
D455,831	S *	4/2002	Koros et al.	D24/135
7,066,434	B2 *	6/2006	Kwok	248/205.8

(Continued)

*Primary Examiner* — John Windmuller

*Assistant Examiner* — Steven Czyz

**1 Claim, 6 Drawing Sheets**



(56)

**References Cited**

U.S. PATENT DOCUMENTS

D527,616 S \* 9/2006 Hajianpour ..... D8/373  
D533,076 S \* 12/2006 Awbrey et al. .... D9/719  
D551,065 S \* 9/2007 Hajianpour ..... D8/373  
D554,463 S \* 11/2007 Parmer ..... D8/71

D589,332 S \* 3/2009 Bevirt ..... D8/373  
D608,624 S \* 1/2010 Adams ..... D8/367  
D616,285 S \* 5/2010 Kimber ..... D8/349  
D621,694 S \* 8/2010 Adams ..... D8/367  
D688,726 S \* 8/2013 Samuels et al. .... D16/242  
D697,255 S \* 1/2014 Wang ..... D26/138  
D698,851 S \* 2/2014 Samuels et al. .... D16/242

\* cited by examiner

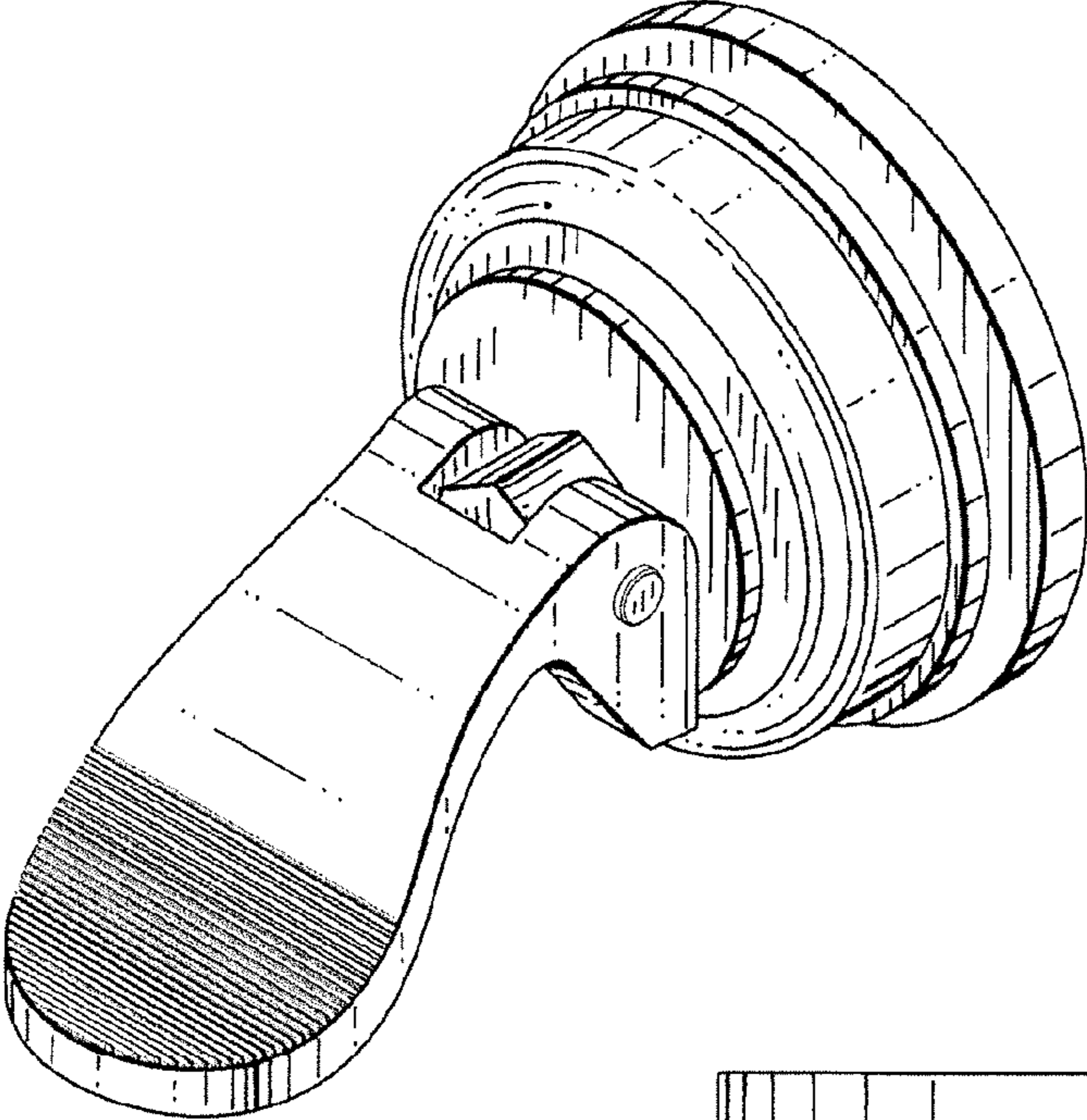


FIG. 1

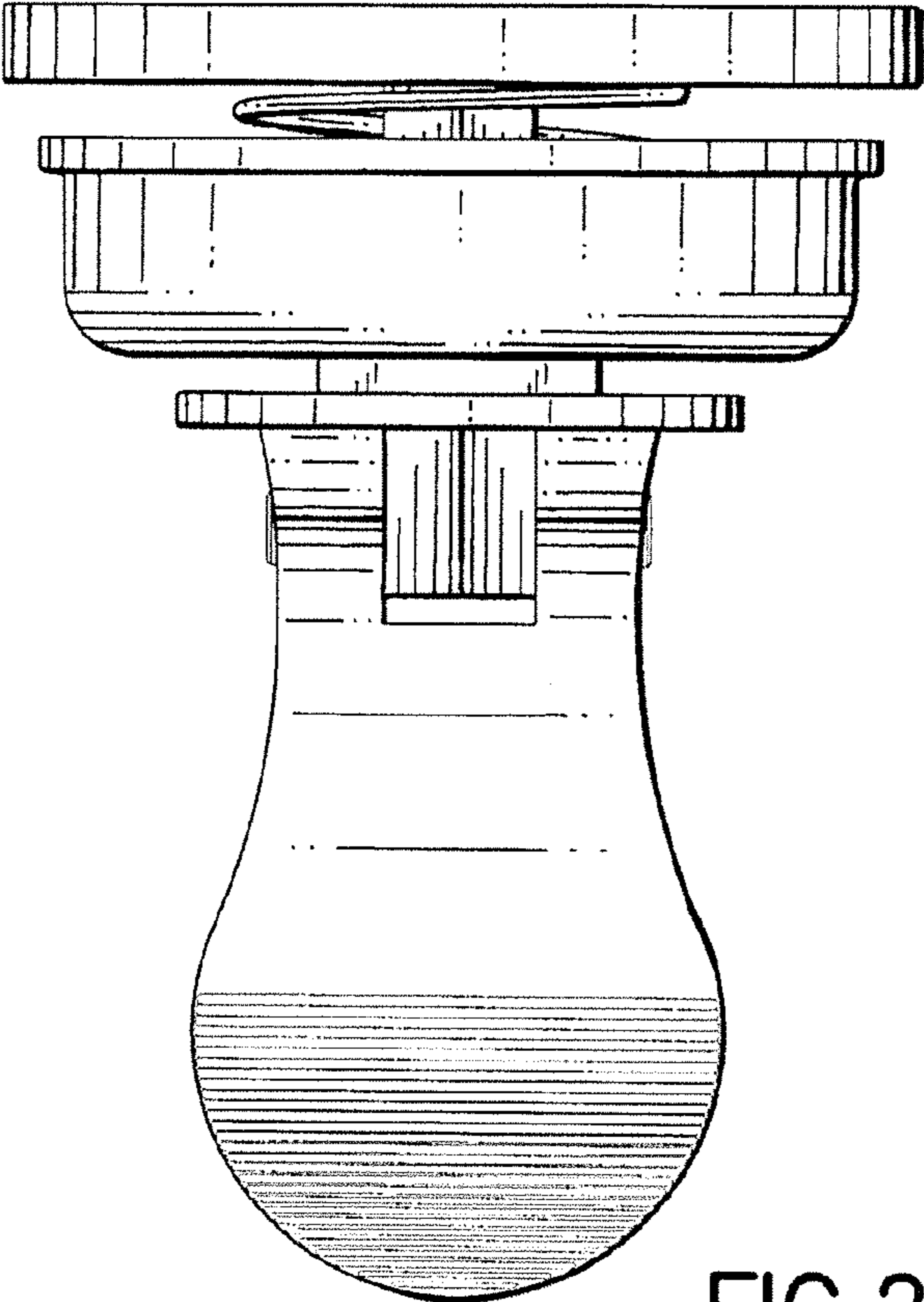


FIG. 2



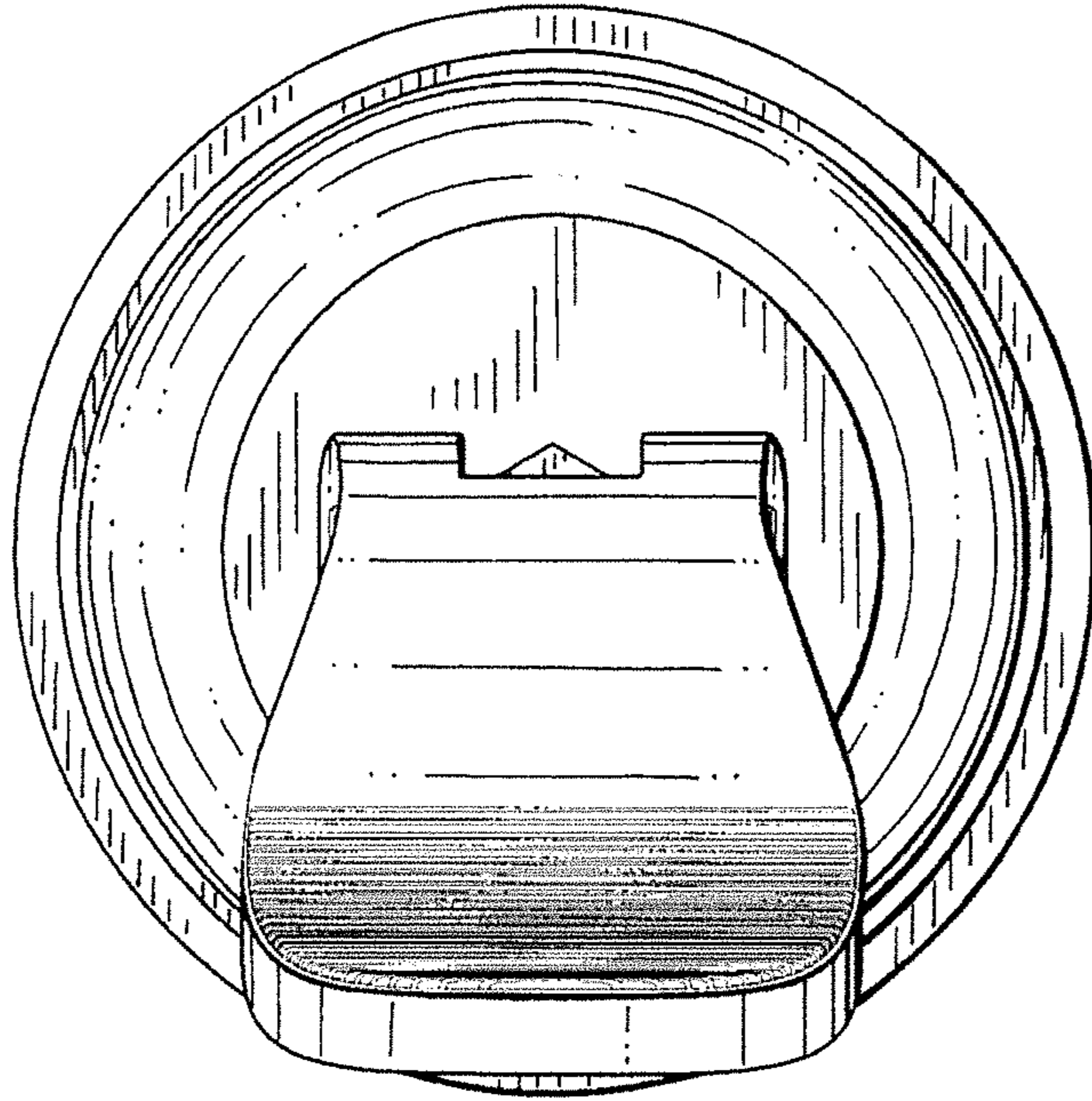


FIG. 3

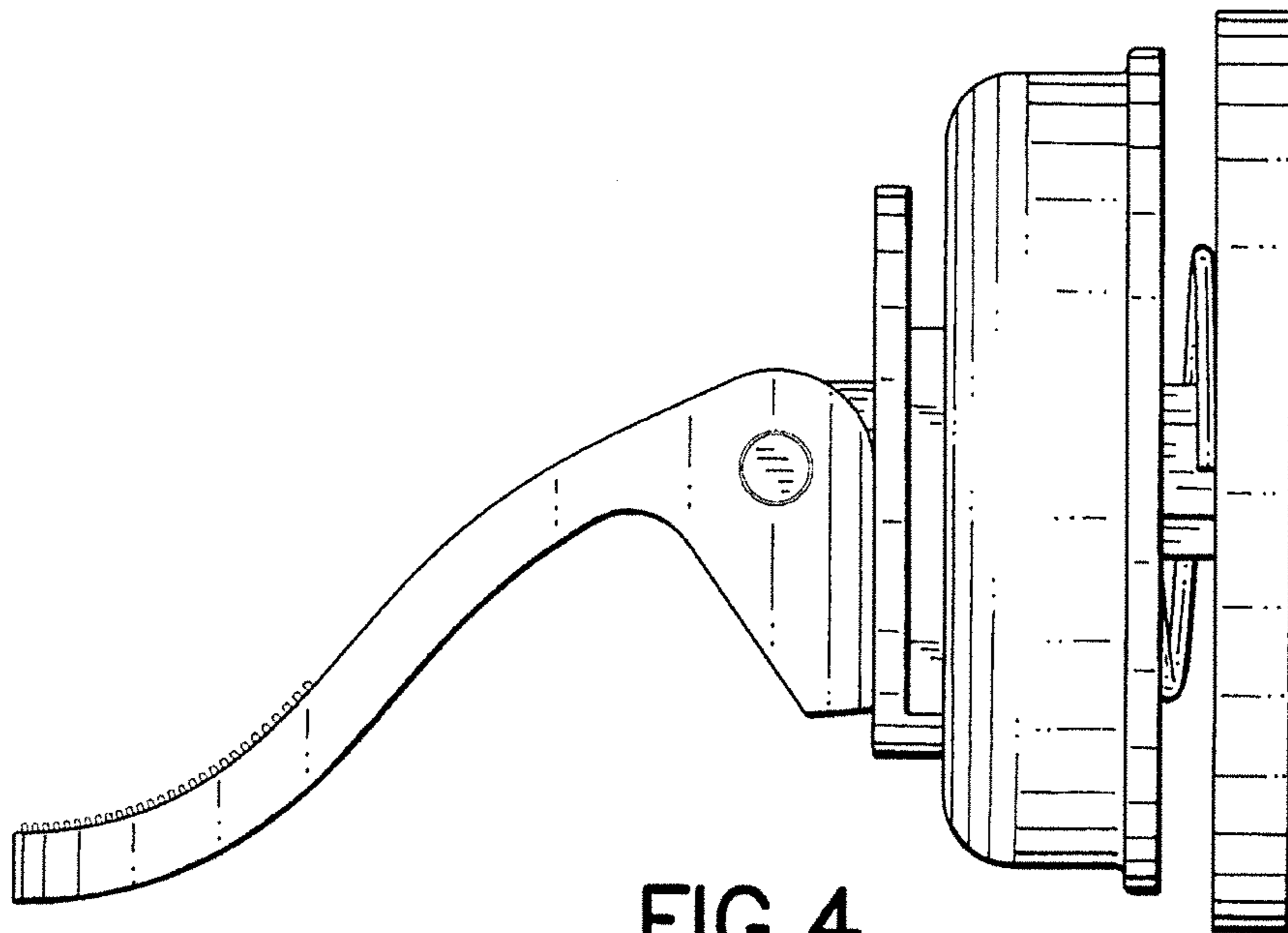


FIG. 4

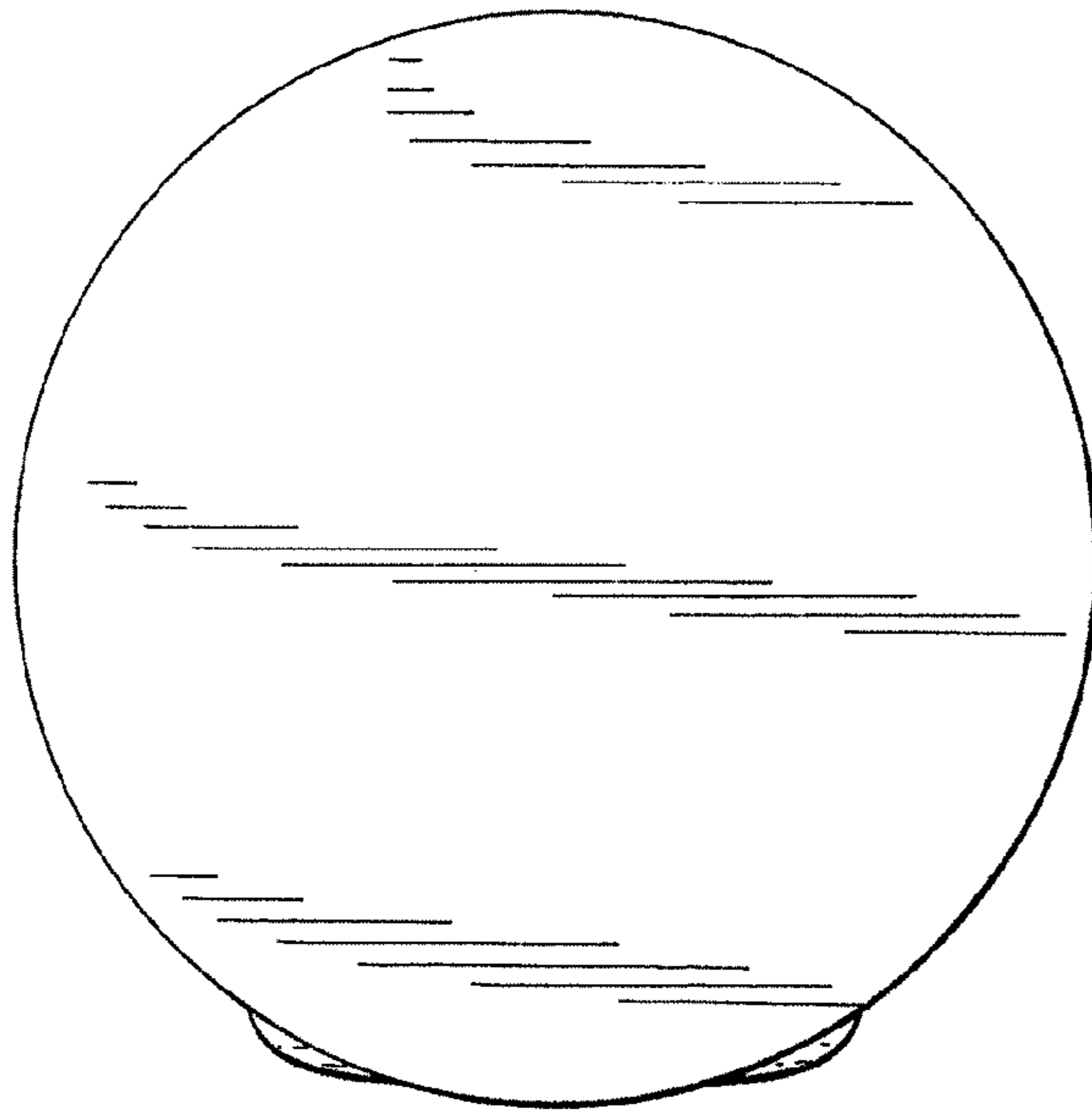


FIG. 5

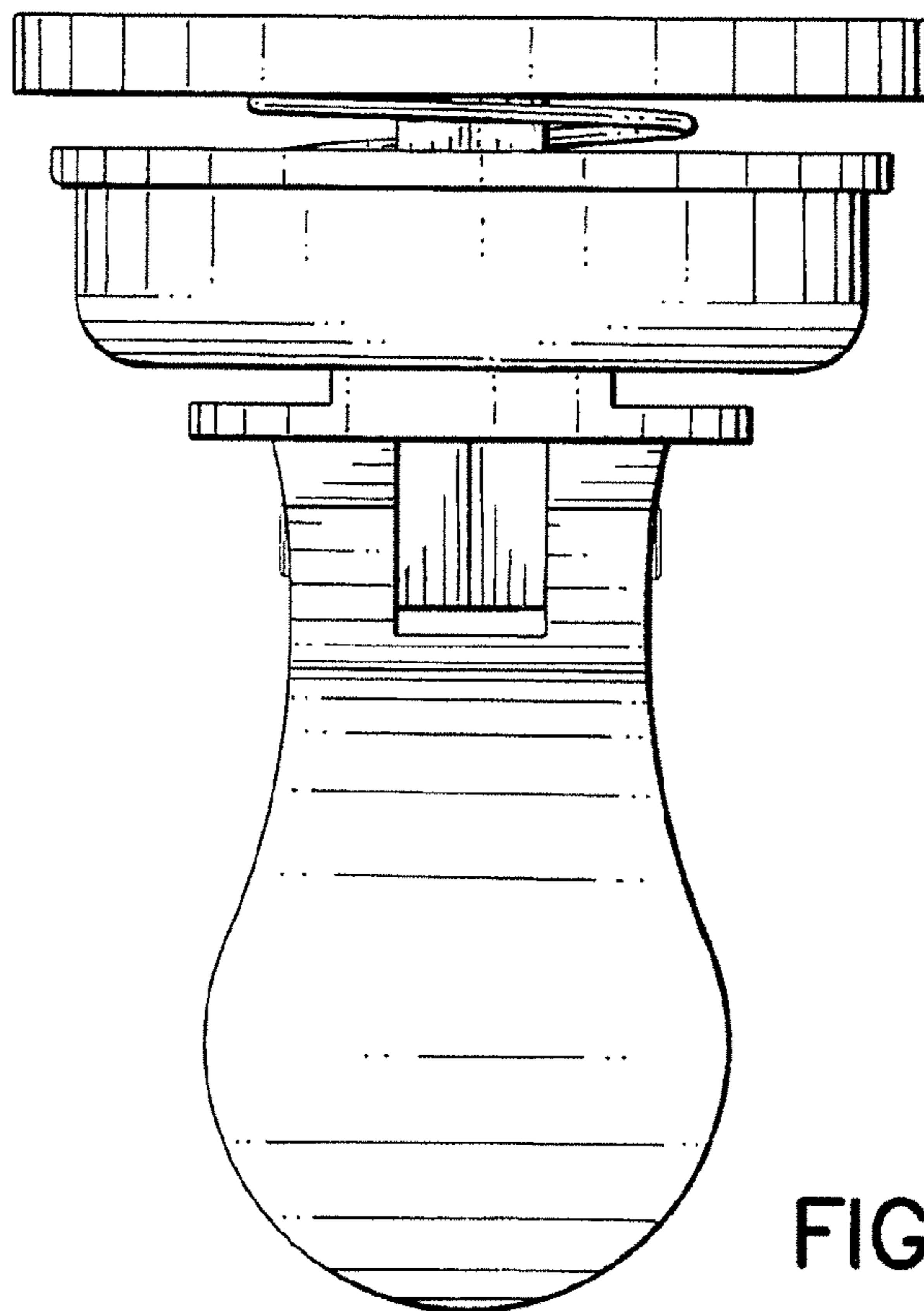


FIG. 6

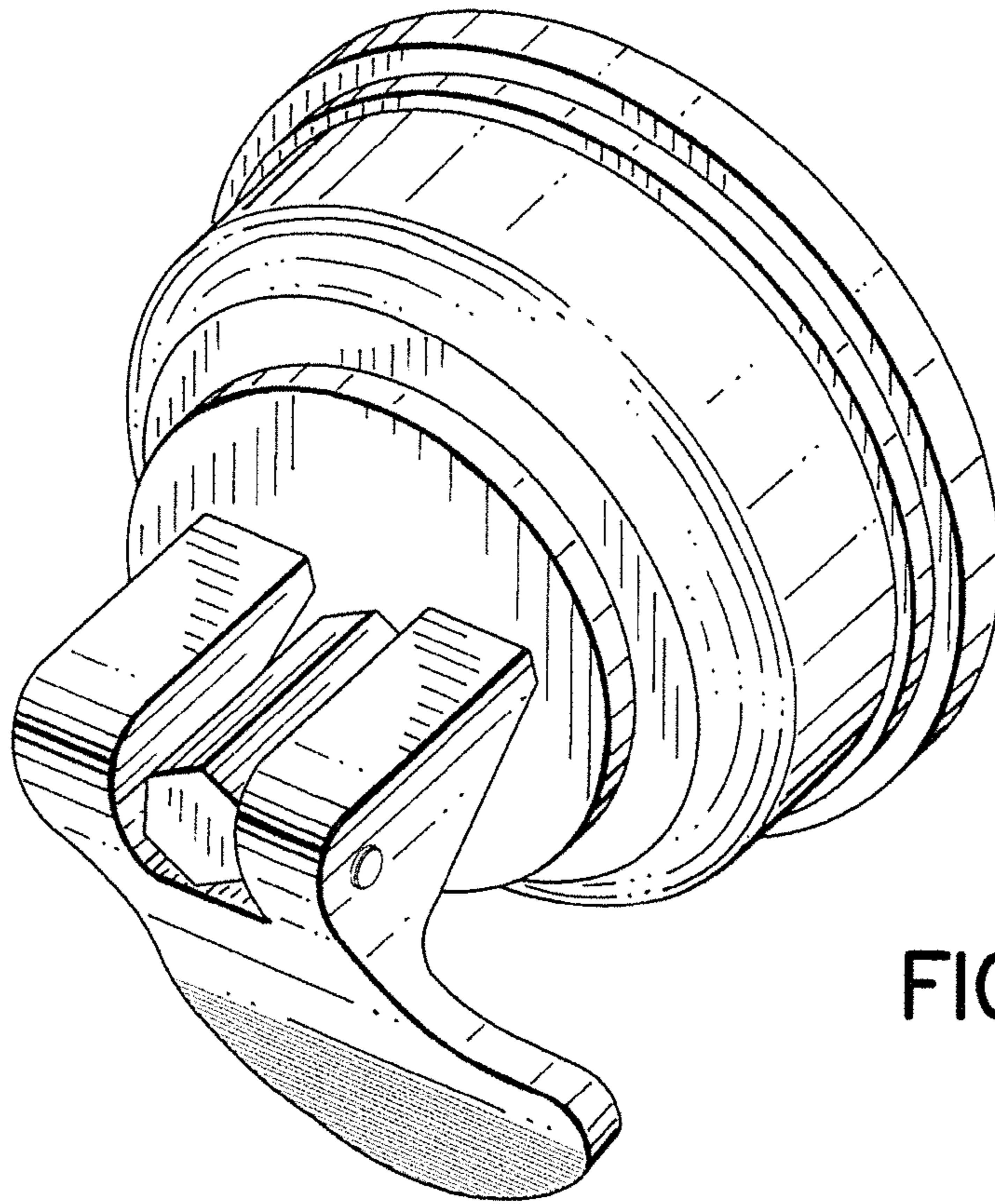


FIG. 7

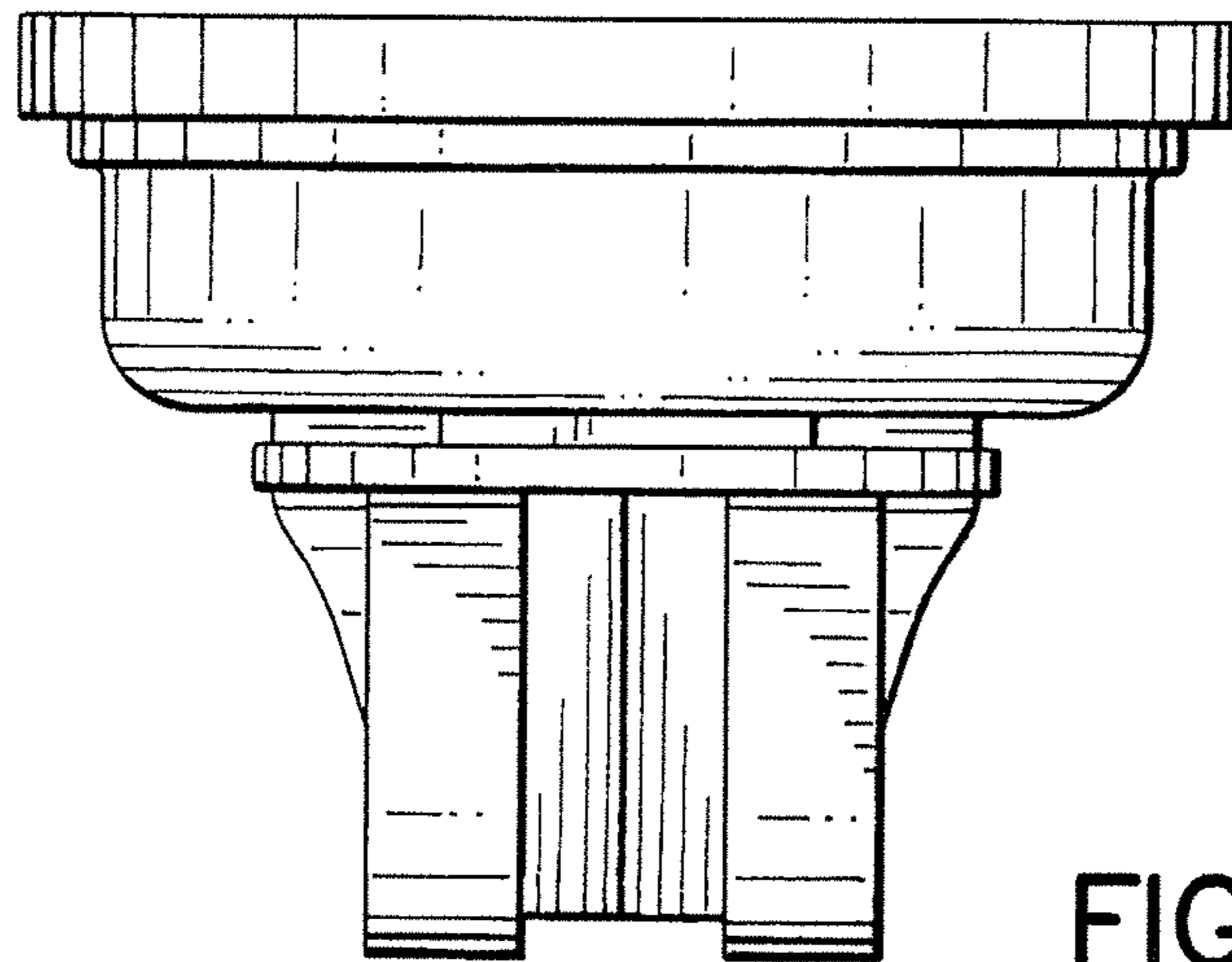


FIG. 8

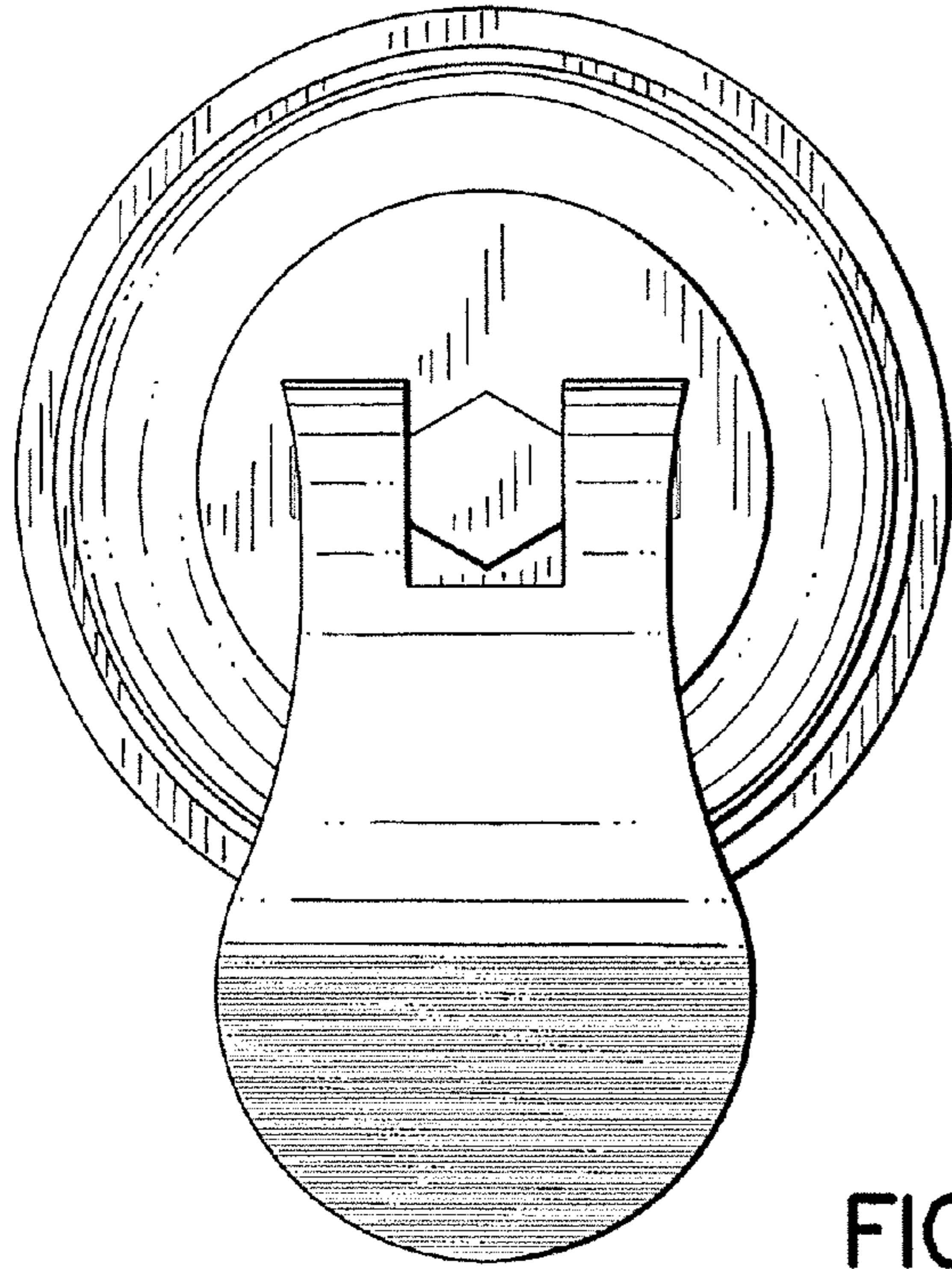


FIG. 9

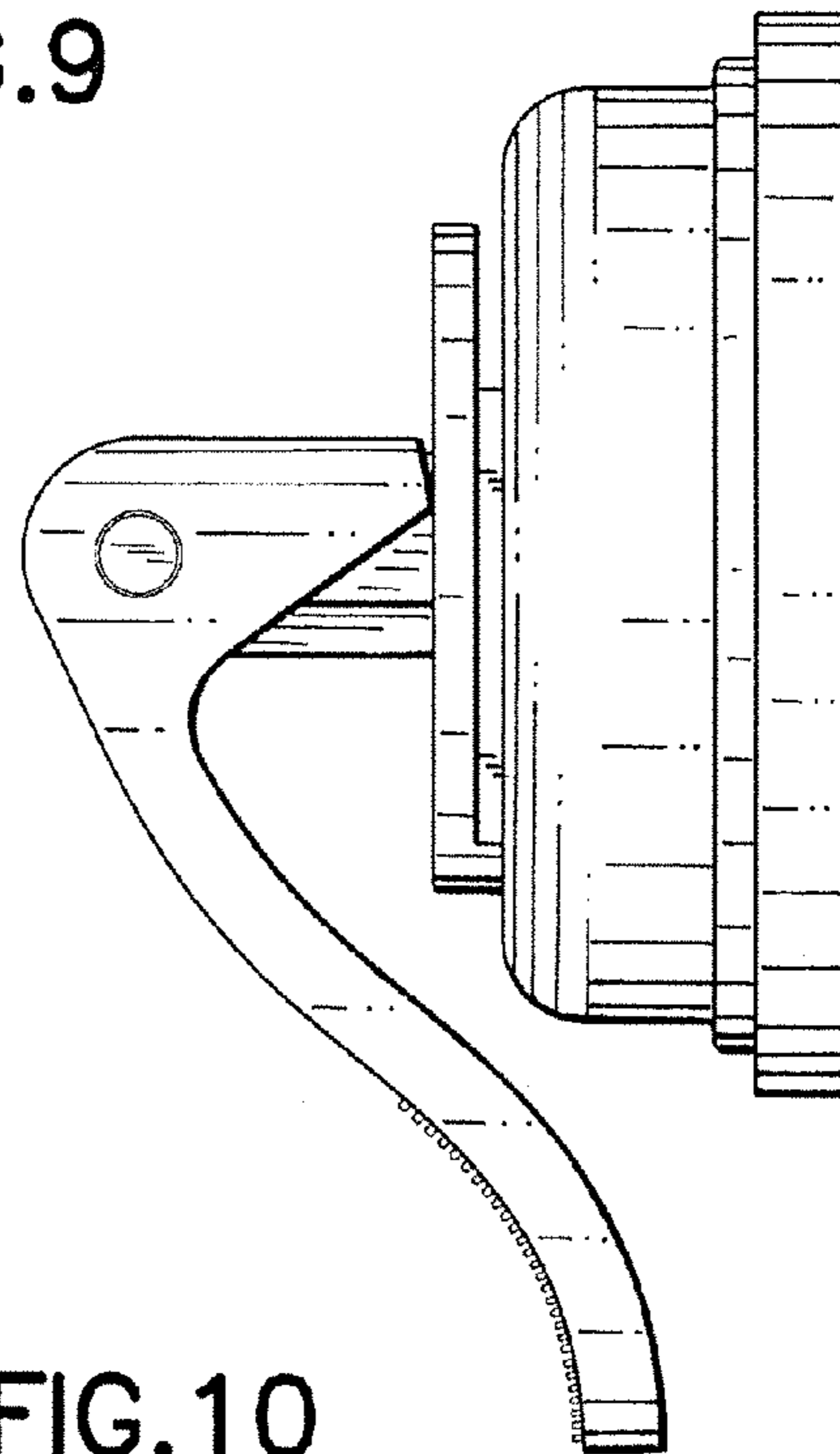


FIG. 10



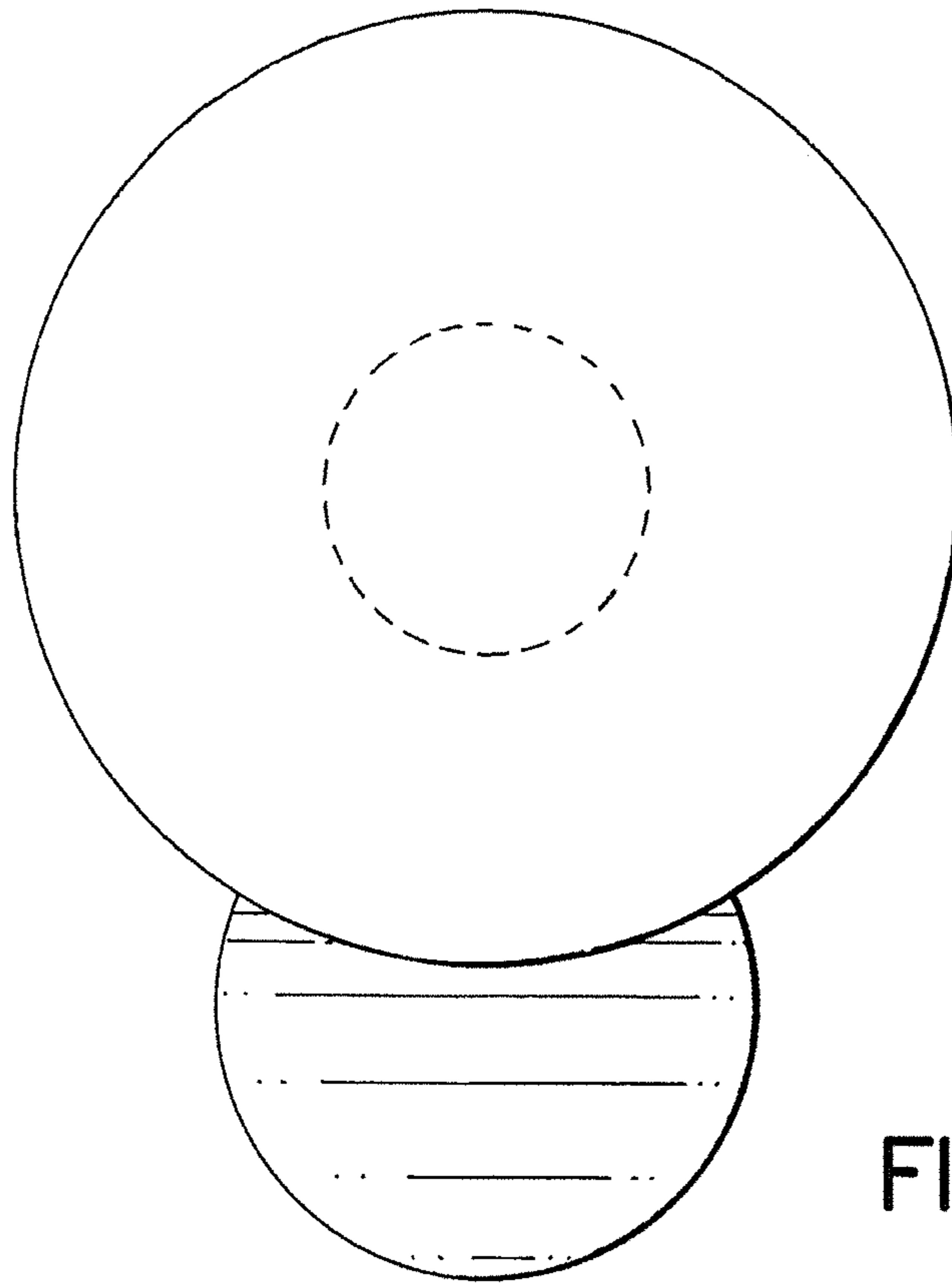


FIG. 11

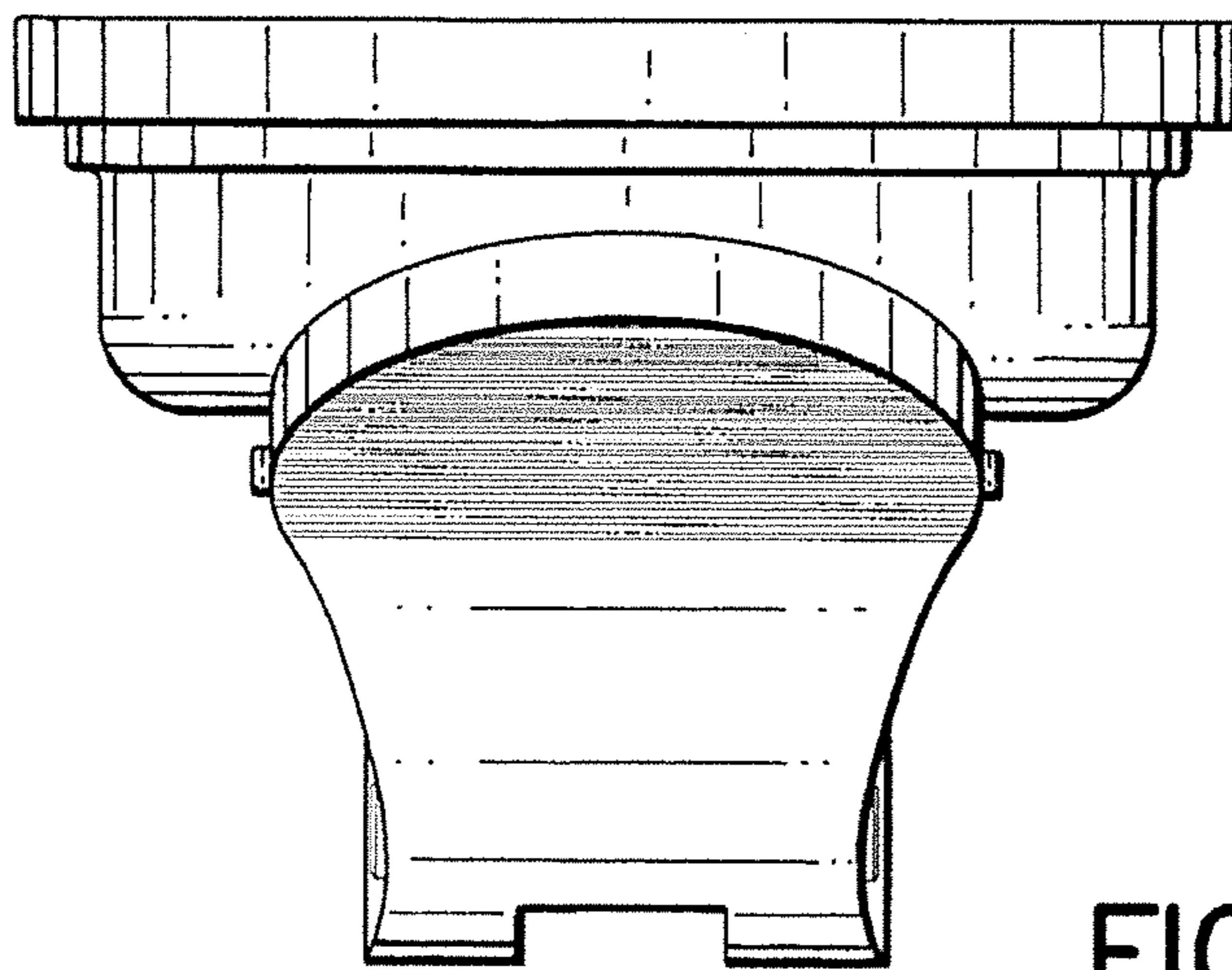


FIG. 12