



US00D747642S

(12) **United States Design Patent**
Grace

(10) **Patent No.:** **US D747,642 S**

(45) **Date of Patent:** **** Jan. 19, 2016**

(54) **O-SHAPED CAUTION TAPE HOLDER**

(71) Applicant: **Timothy M. Grace**, Sun Valley, CA
(US)

(72) Inventor: **Timothy M. Grace**, Sun Valley, CA
(US)

(**) Term: **14 Years**

(21) Appl. No.: **29/498,650**

(22) Filed: **Aug. 6, 2014**

(51) **LOC (10) Cl.** **08-08**

(52) **U.S. Cl.**
USPC **D8/387**; D8/349; D8/356

(58) **Field of Classification Search**
USPC D8/349, 354, 355, 356, 71, 387, 383,
D8/373, 499; D21/532, 470, 488, 483;
D23/386, 499, 303; D9/439, 441
CPC E01F 9/013; E01F 9/012; E01F 9/03;
E01F 9/0122; E01F 13/028
See application file for complete search history.

(56) **References Cited**

U.S. PATENT DOCUMENTS

D31,861 S * 11/1899 Copeland D13/132
D198,281 S * 5/1964 Mills D8/367
3,595,125 A * 7/1971 Jacobs 410/106
5,865,416 A * 2/1999 Hanaway 248/551

D413,509 S * 9/1999 Robertson D8/387
D413,791 S * 9/1999 May D8/387
D531,486 S * 11/2006 Ferris D8/354
D573,877 S * 7/2008 Vautour D8/387
D605,500 S * 12/2009 Lee et al. D8/387
D736,063 S * 8/2015 White D8/354
2011/0220010 A1* 9/2011 Klein et al. 116/63
2013/0333610 A1* 12/2013 Eccless et al. 116/63

* cited by examiner

Primary Examiner — Sandra Snapp

Assistant Examiner — Ieisha Price

(57) **CLAIM**

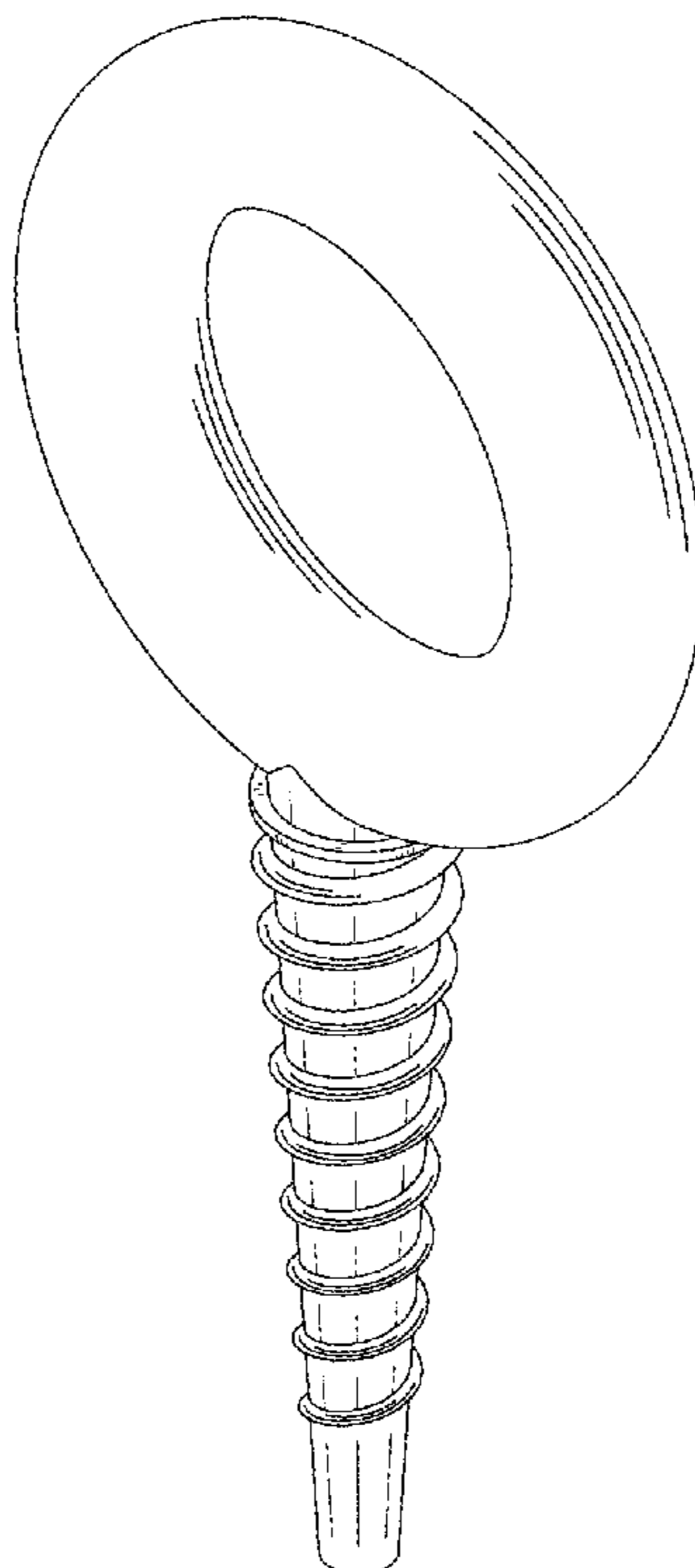
The ornamental design for an O-shaped caution tape holder, as shown and described.

DESCRIPTION

FIG. 1 is a perspective view of an O-shaped caution tape holder;
FIG. 2 is a front elevational view thereof;
FIG. 3 is a rear elevational view thereof;
FIG. 4 is a left-side elevational view thereof;
FIG. 5 is a right-side elevational view thereof;
FIG. 6 is a top plan view thereof;
FIG. 7 is a bottom plan view thereof; and,
FIG. 8 is a perspective view thereof, shown in its environment.

The broken line showing of a traffic cone in FIG. 8 is included for the purpose of showing environmental structure and forms no part of the claimed design.

1 Claim, 8 Drawing Sheets



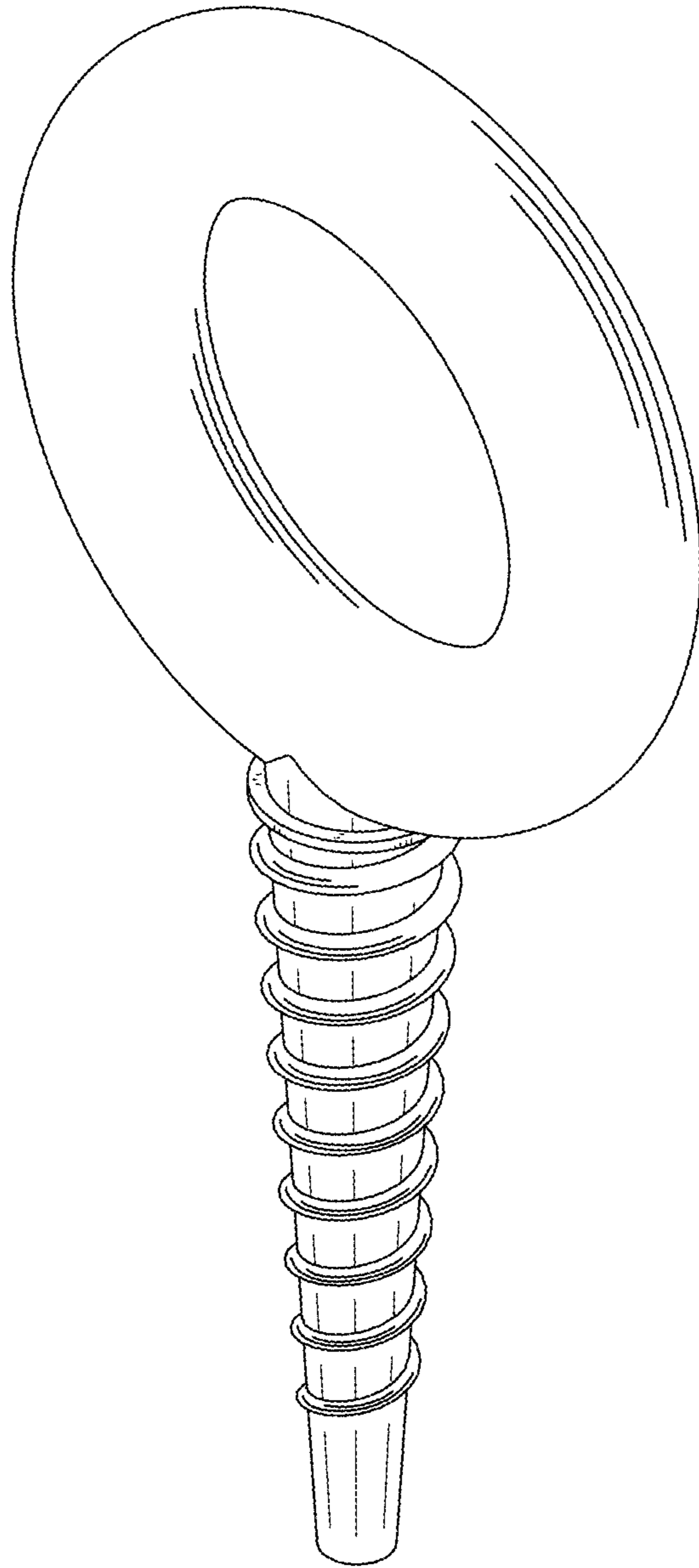


FIG. 1

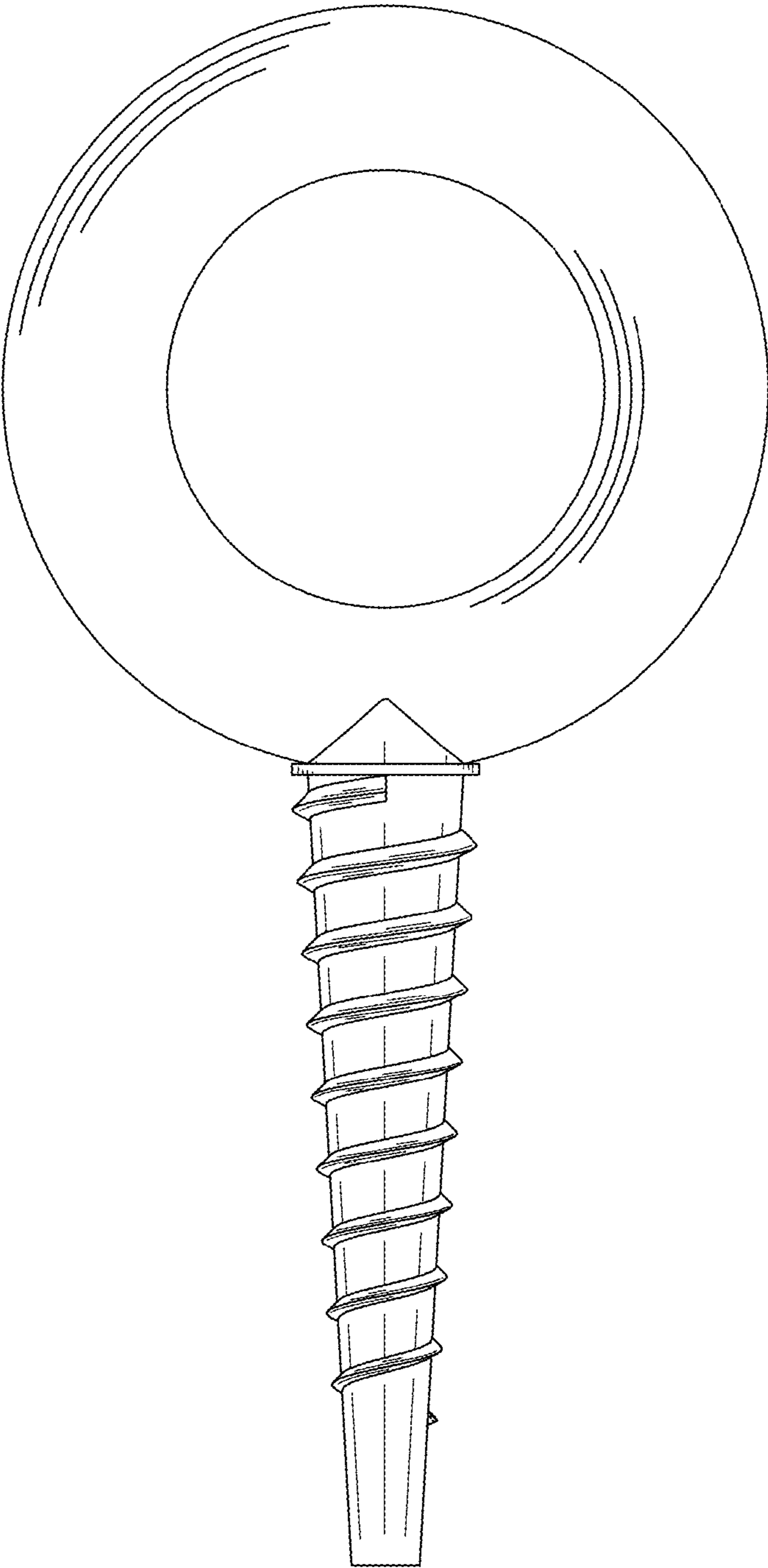


FIG. 2

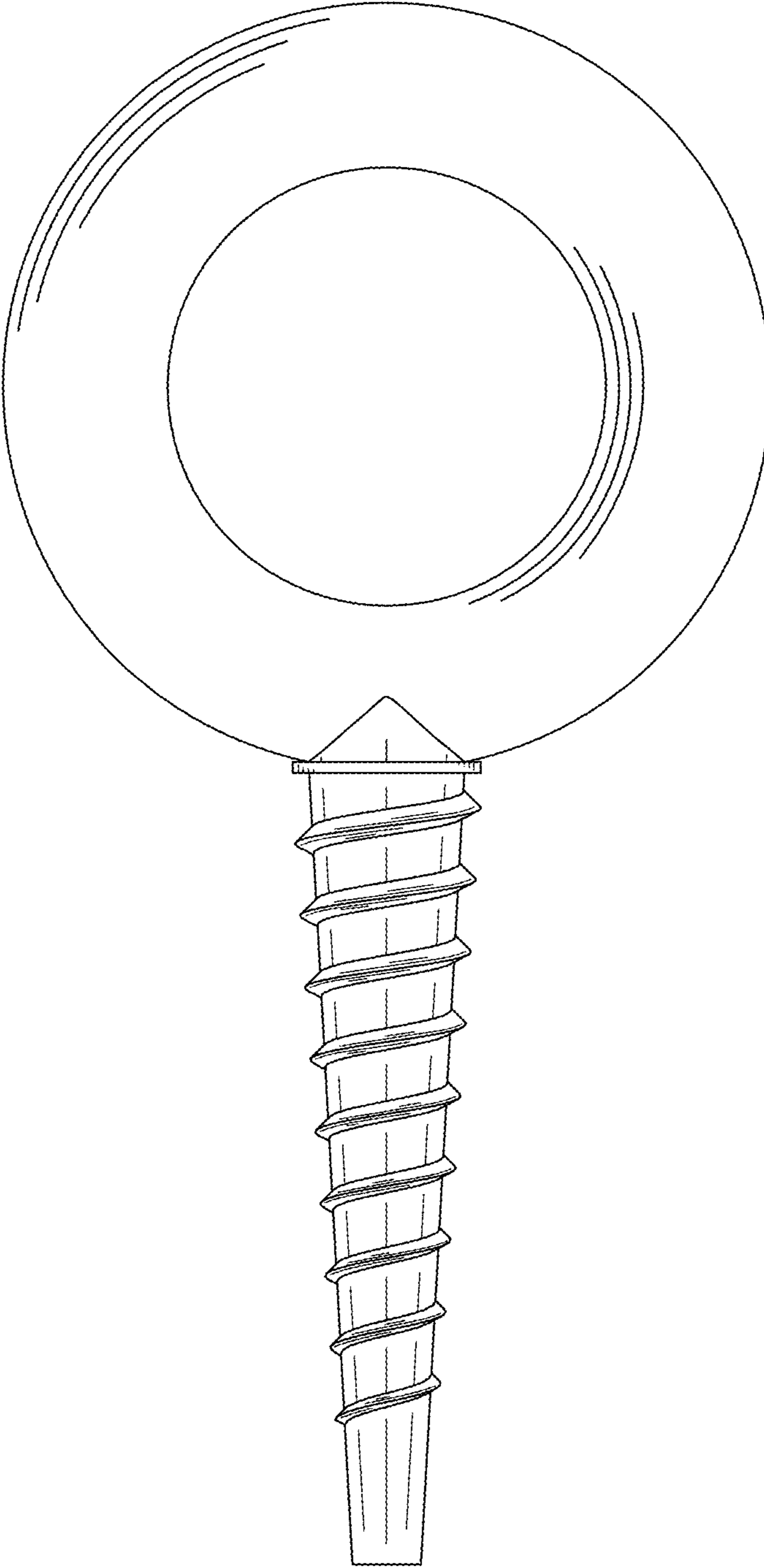


FIG. 3

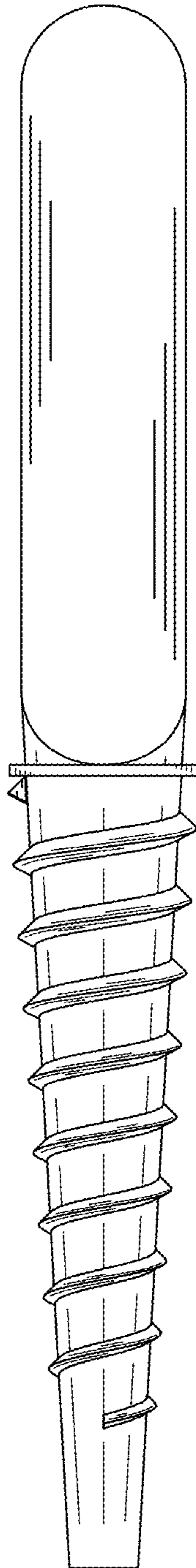


FIG. 4

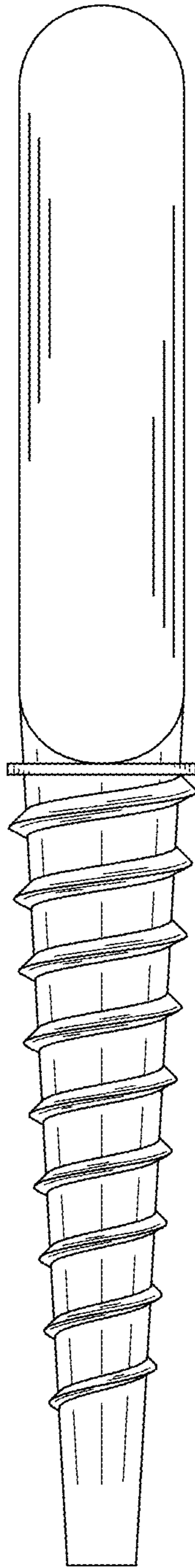


FIG. 5

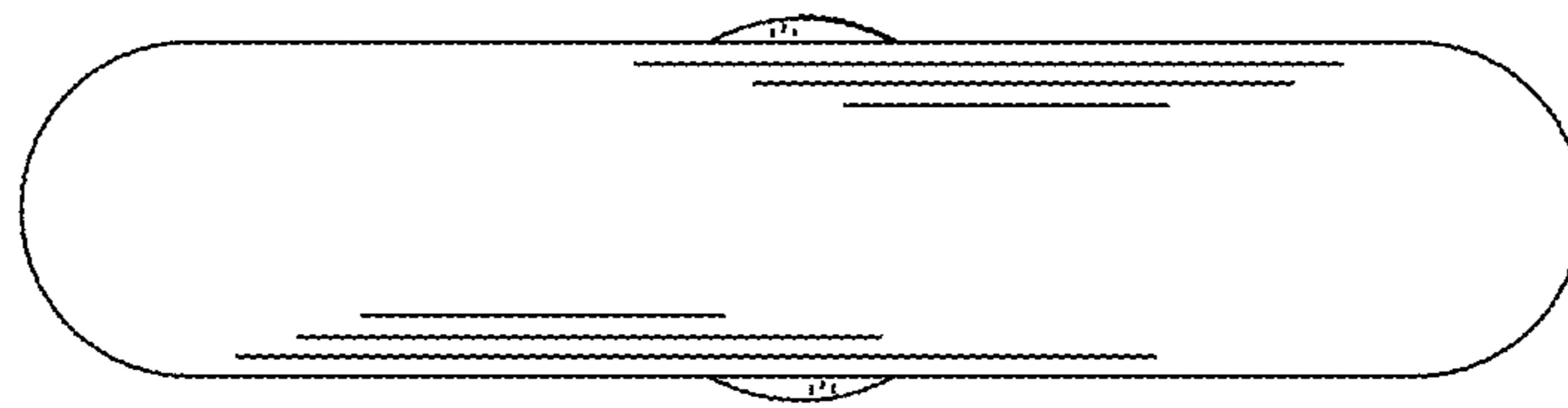


FIG. 6

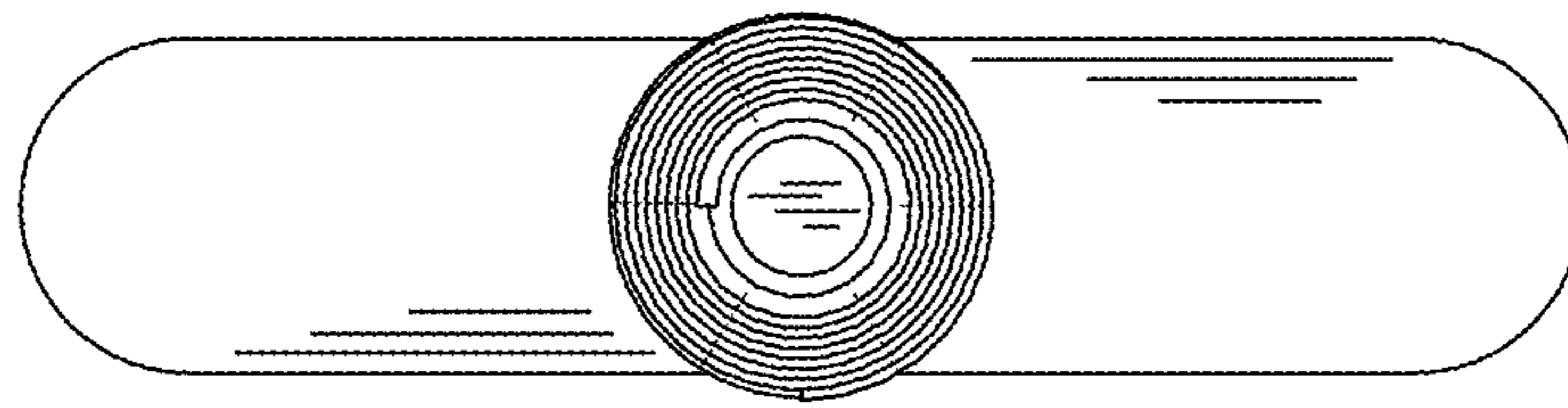


FIG. 7

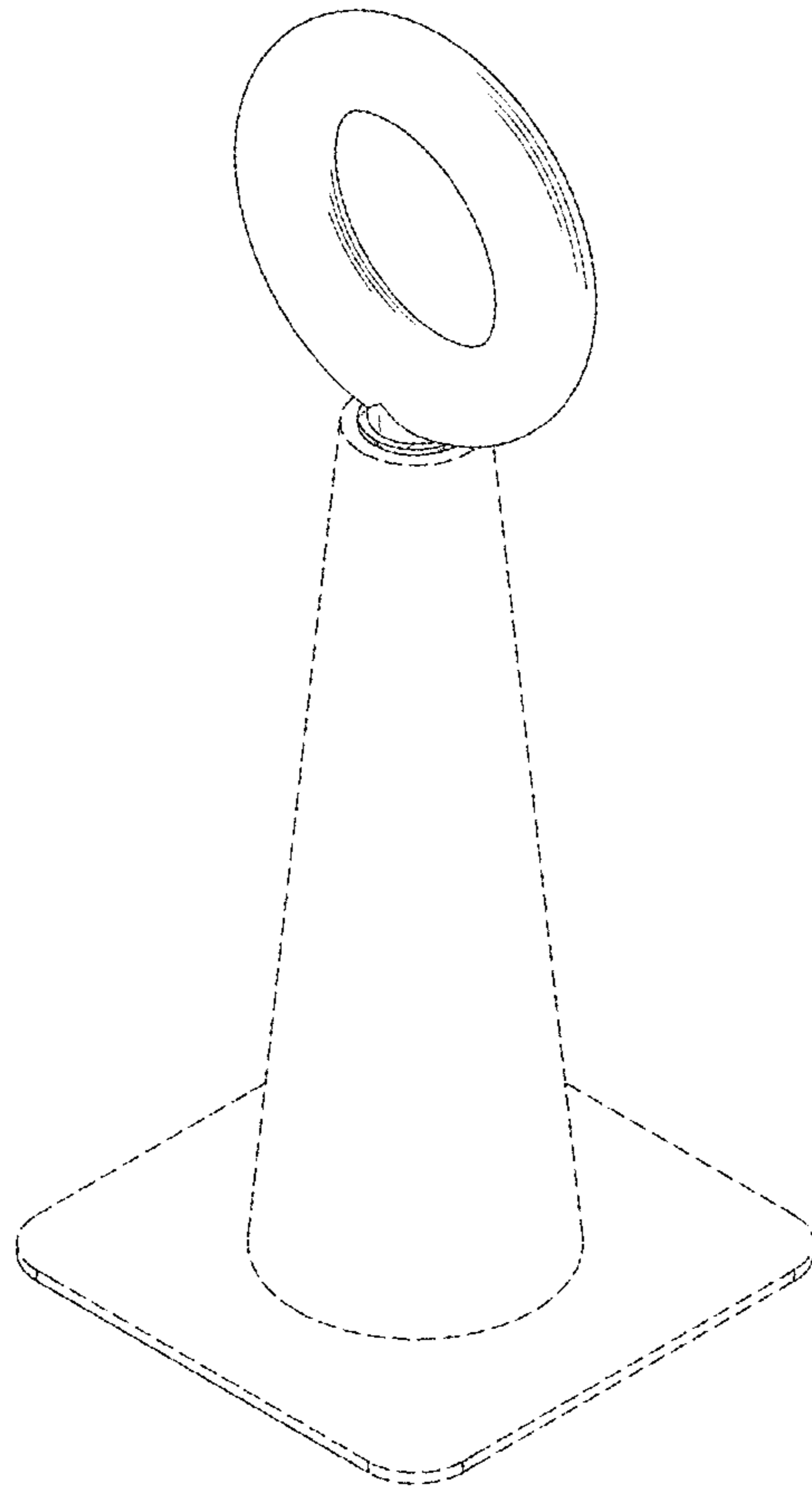


FIG. 8