



US00D747641S

(12) **United States Design Patent**  
**Reynolds et al.**

(10) **Patent No.:** **US D747,641 S**  
(45) **Date of Patent:** **\*\* Jan. 19, 2016**

(54) **VIBRATION DAMPER**

B67D 1/0021; B67D 1/0044; B67D 1/0052  
See application file for complete search history.

(71) Applicant: **Nordost Corporation**, Holliston, MA  
(US)

(56) **References Cited**

(72) Inventors: **Joseph Reynolds**, Framingham, MA  
(US); **William Mitchell**, Holliston, MA  
(US)

U.S. PATENT DOCUMENTS

(73) Assignee: **NORDOST CORPORATION**,  
Holliston, MA (US)

1,726,532	A *	9/1929	Andel	29/277
2,539,431	A *	1/1951	Johnson	267/141.1
2,552,522	A *	5/1951	Counsellor, Jr.	356/426
2,678,796	A *	5/1954	Roy	248/613
4,877,225	A *	10/1989	Noguchi et al.	267/140.14
5,116,030	A *	5/1992	Nowak et al.	267/140.4
5,231,336	A *	7/1993	van Namen	318/128
D553,477	S *	10/2007	Kuzukawa	D8/354
D590,704	S *	4/2009	Brunsteter	D8/387
D666,583	S *	9/2012	Le et al.	D14/230
2012/0126090	A1 *	5/2012	Kojima et al.	248/636
2012/0212306	A1 *	8/2012	Richley et al.	333/24 R
2014/0305967	A1 *	10/2014	Hecht	222/129.1
2015/0107948	A1 *	4/2015	Gustavsson	188/380

(\*\*) Term: **14 Years**

\* cited by examiner

(21) Appl. No.: **29/478,963**

*Primary Examiner* — Karen E Kearney  
*Assistant Examiner* — Nathaniel D Buckner  
(74) *Attorney, Agent, or Firm* — Cooper & Dunham LLP

(22) Filed: **Jan. 10, 2014**

(51) **LOC (10) Cl.** ..... **11-05**

(52) **U.S. Cl.**  
USPC ..... **D8/354**

(58) **Field of Classification Search**  
USPC ..... D8/349, 354–355, 380, 382–383, 387,  
D8/394; D13/155, 102, 118, 154, 184,  
D13/199; D25/119, 123, 124, 125;  
D21/484, 500, 504  
CPC ..... F24J 2/07; F24J 2/14; F24J 2/541;  
F24J 2/542; F24J 2/38; Y02E 10/47; Y02E  
10/45; Y02E 10/50; Y02E 10/60; E04H  
9/022; E04H 9/021; E02D 27/34; E04B 1/98;  
H01L 35/00; H01L 31/0522; H01L 35/08;  
H01L 31/052; H01L 31/042; H01L 31/05;  
H01L 27/1423; H01L 31/048; H01L 31/045;  
H01L 31/055; B64G 1/443; B64G 1/222;  
B60G 2202/143; F16F 3/10; F16F 13/10;  
F16F 13/105; F16F 13/1463; F16F 13/16;  
F16F 13/262; F16F 1/3732; F16F 3/0876;  
F16F 7/1011; F16F 7/108; B25B 27/02;

(57) **CLAIM**  
We claim the ornamental design for a vibration damper, as shown and described.

**DESCRIPTION**

FIG. 1 is an elevation view of a vibration damper showing my new design;  
FIG. 2 is a top plan view thereof; and,  
FIG. 3 is a bottom plan view thereof.  
The broken lines present in the figures are included for the purpose of illustrating portions of the article that form no part of the claimed design.

**1 Claim, 3 Drawing Sheets**

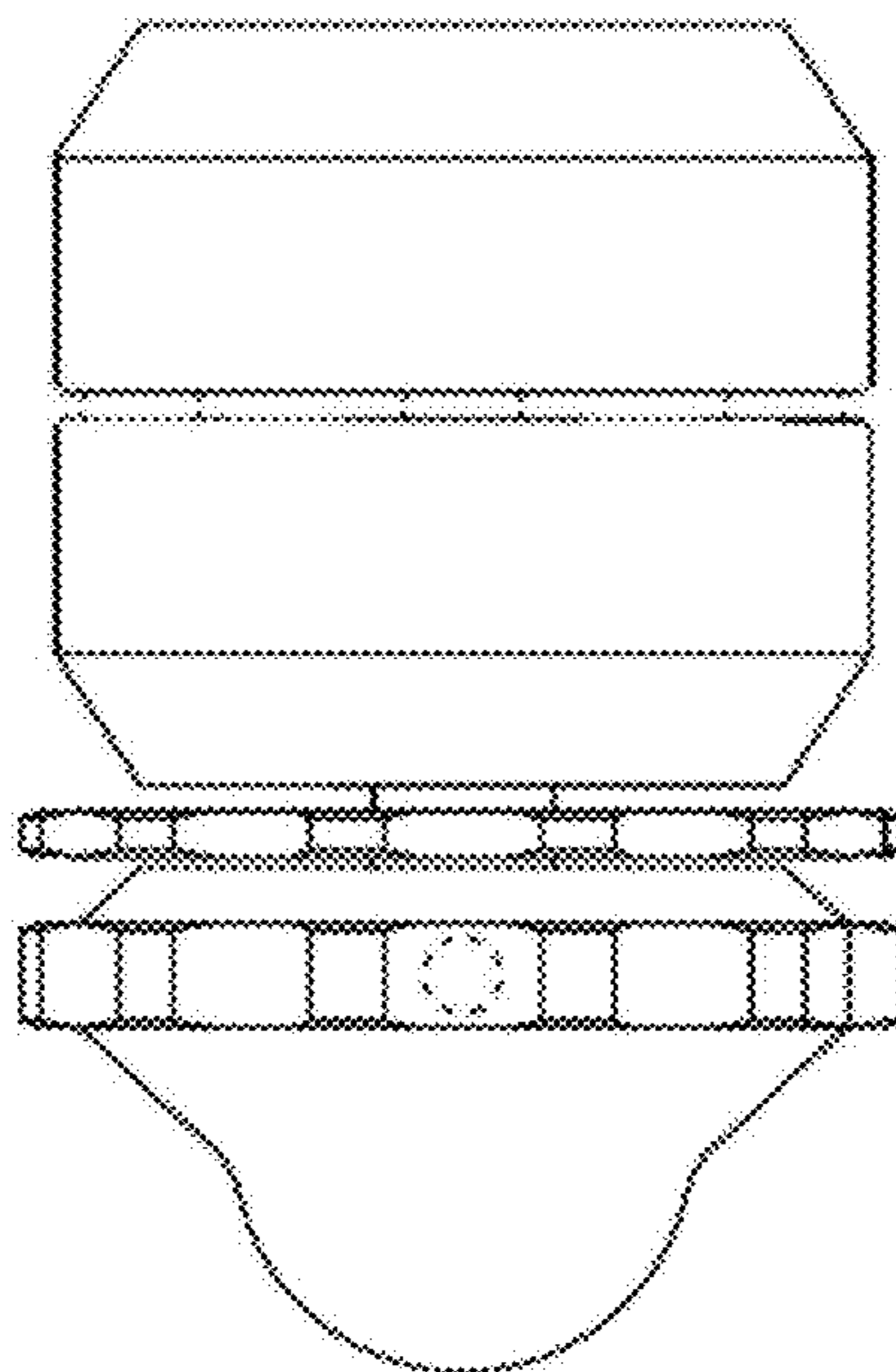


FIG. 1

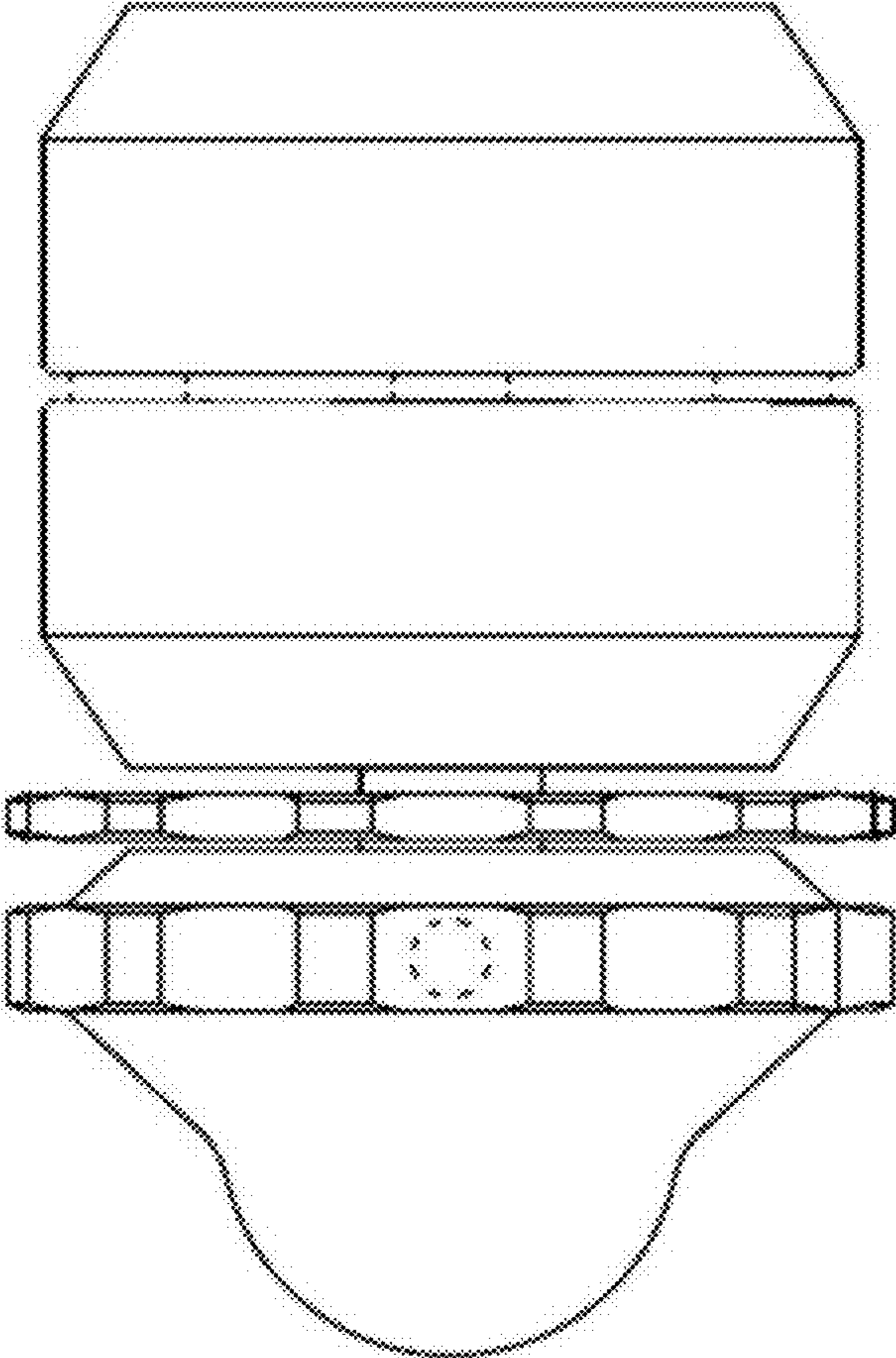


FIG. 2

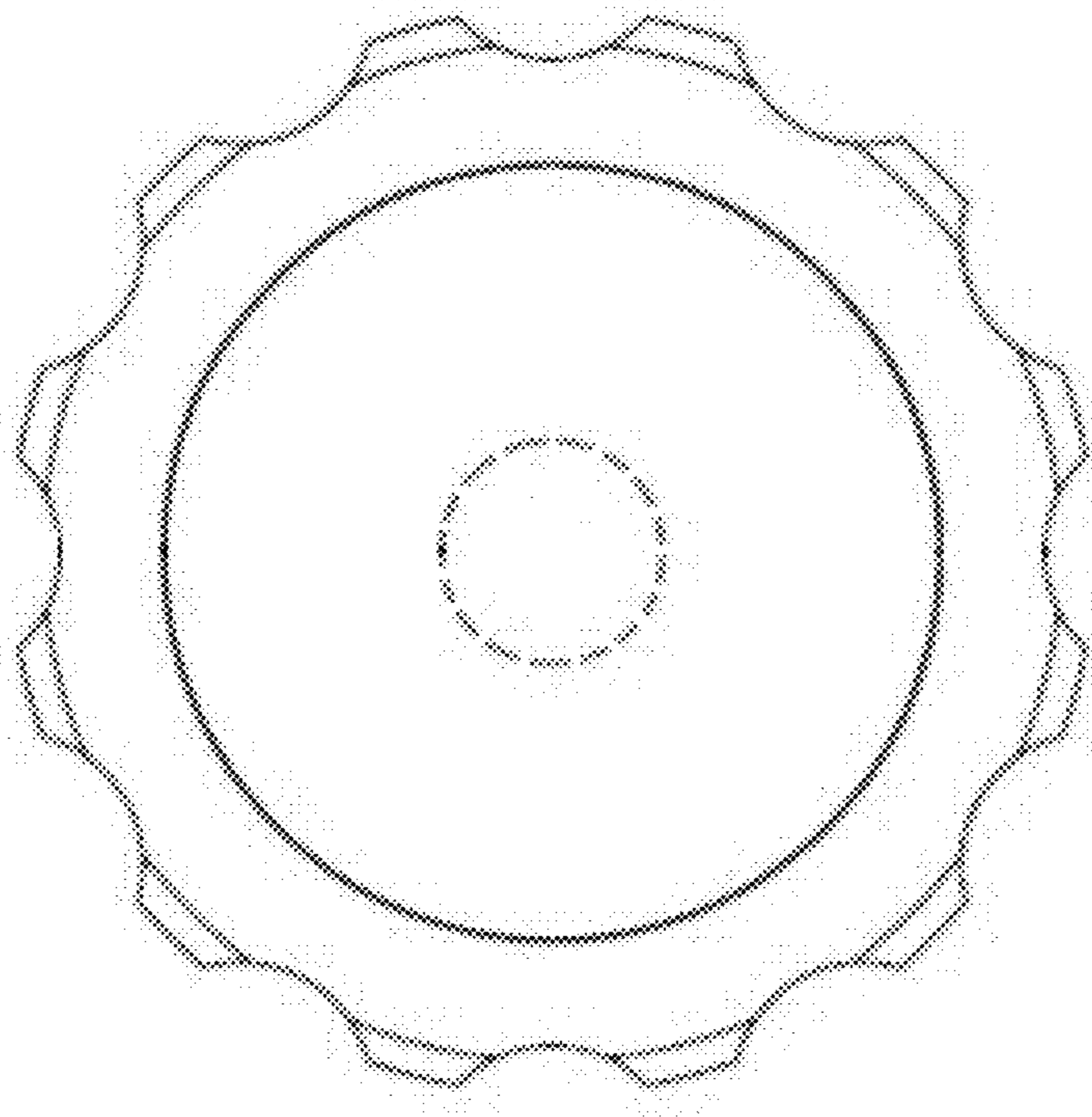


FIG. 3

