



US00D747639S

(12) **United States Design Patent**
Linares

(10) **Patent No.:** **US D747,639 S**
(45) **Date of Patent:** **** Jan. 19, 2016**

(54) **LATCH HOUSING FOR DOOR LOCK**
(71) Applicant: **ApexOEM, Inc.**, Fullerton, CA (US)
(72) Inventor: **Rodolfo Linares**, Whittier, CA (US)
(73) Assignee: **ApexOEM Inc.**, Fullerton, CA (US)
(**) Term: **14 Years**

7,748,246	B1	*	7/2010	Paige et al.	70/208
D646,142	S	*	10/2011	Stuckey	D8/321
D657,655	S	*	4/2012	Stuckey et al.	D8/321
D704,526	S	*	5/2014	Weinerman et al.	D8/331
D720,599	S	*	1/2015	Weinerman et al.	D8/331
D722,860	S	*	2/2015	Linares	D8/331
D730,716	S	*	6/2015	Weinerman et al.	D8/331
2004/0237607	A1	*	12/2004	Lorusso	70/208
2011/0304161	A1	*	12/2011	Behjat et al.	292/197

* cited by examiner

(21) Appl. No.: **29/493,049**
(22) Filed: **Jun. 5, 2014**
(51) **LOC (10) Cl.** **08-07**
(52) **U.S. Cl.**
USPC **D8/331**; D8/343
(58) **Field of Classification Search**
USPC D8/330, 331, 343, 344, 346, 335, 339,
D8/302
CPC ... E05B 2009/004; E05B 55/005; E05B 5/00;
E05B 1/0092; E05B 15/0053; E05B 17/203;
E05B 2015/1642; E05C 3/042; Y10T 70/577;
Y10T 70/5761
See application file for complete search history.

Primary Examiner — Sheryl Lane
Assistant Examiner — Ieisha Price
(74) *Attorney, Agent, or Firm* — Raymond Sun

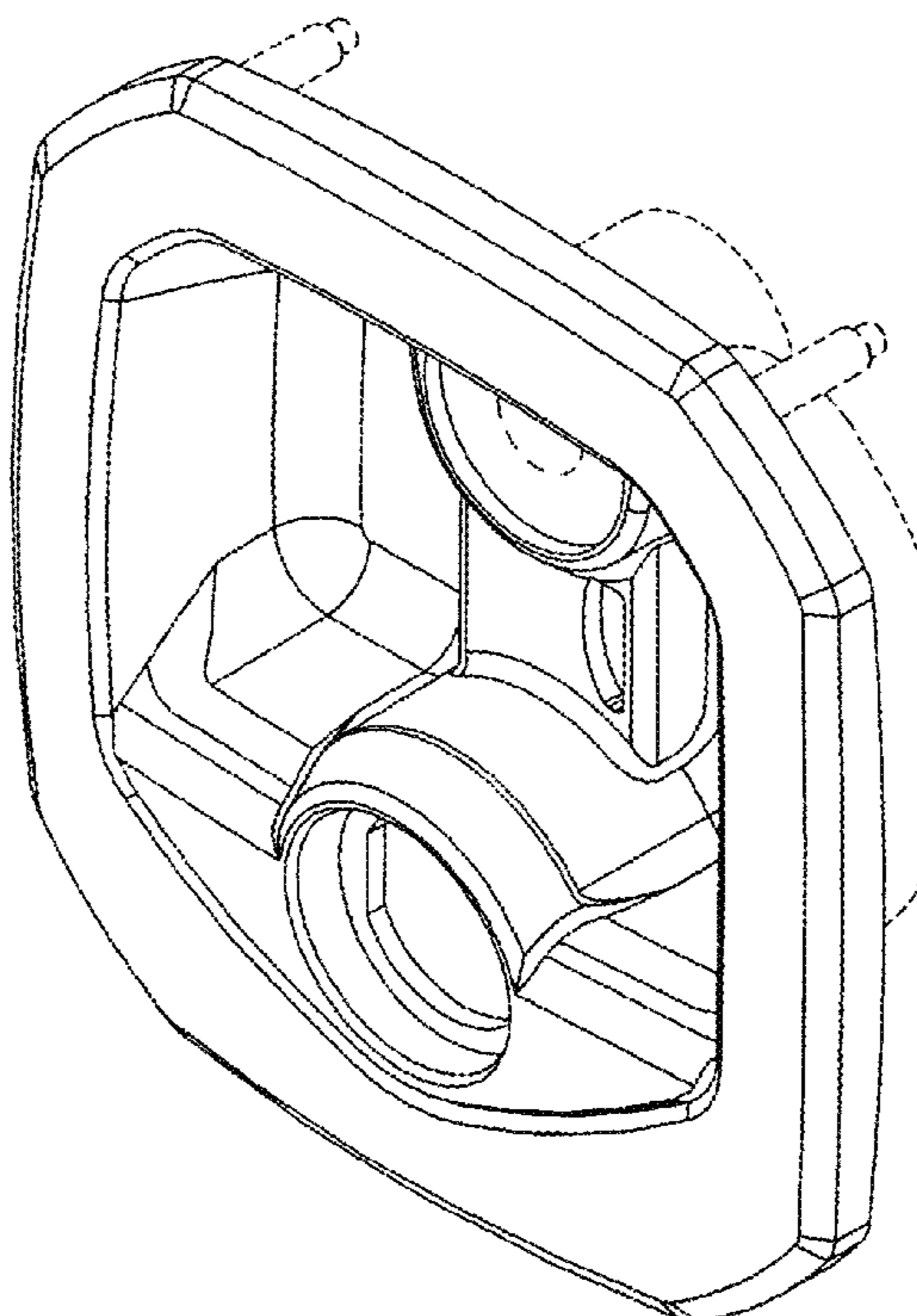
(57) **CLAIM**
The ornamental design for a “latch housing for door lock”, as shown and described.

DESCRIPTION

FIG. 1 is a perspective view of a latch housing for door lock showing my new design
FIG. 2 is a top view thereof;
FIG. 3 is a bottom view thereof;
FIG. 4 is a front view thereof;
FIG. 5 is rear view thereof;
FIG. 6 is a left view thereof; and,
FIG. 7 is a right view thereof.
The broken lines in the drawings illustrate portions of the latch housing for door lock and form no part of the claimed design.

(56) **References Cited**
U.S. PATENT DOCUMENTS
5,984,383 A * 11/1999 Parikh et al. 292/121
D546,165 S * 7/2007 Paige et al. D8/338
D567,061 S * 4/2008 Paige et al. D8/321
D578,373 S * 10/2008 Paige et al. D8/321

1 Claim, 4 Drawing Sheets



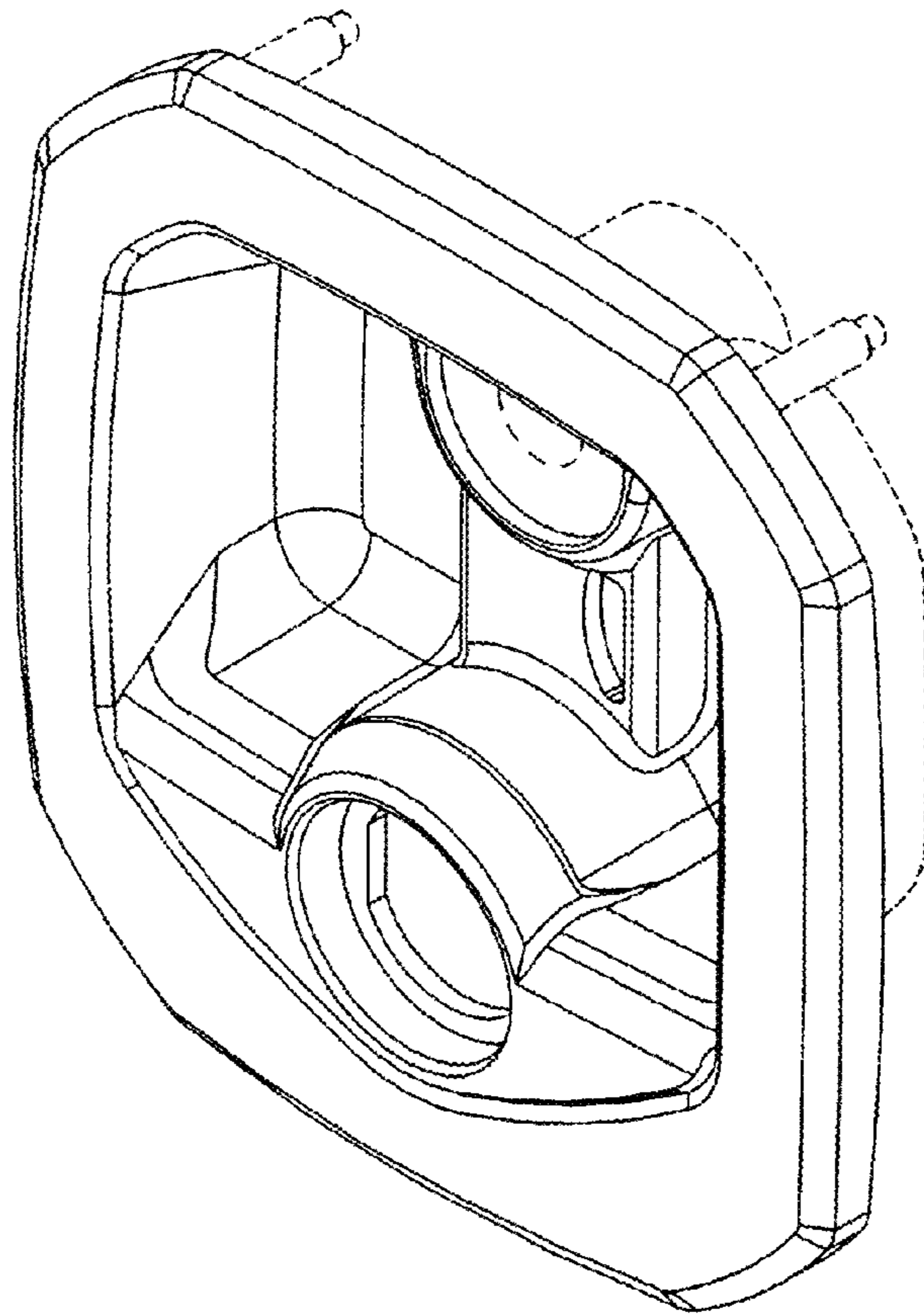


Fig. 1

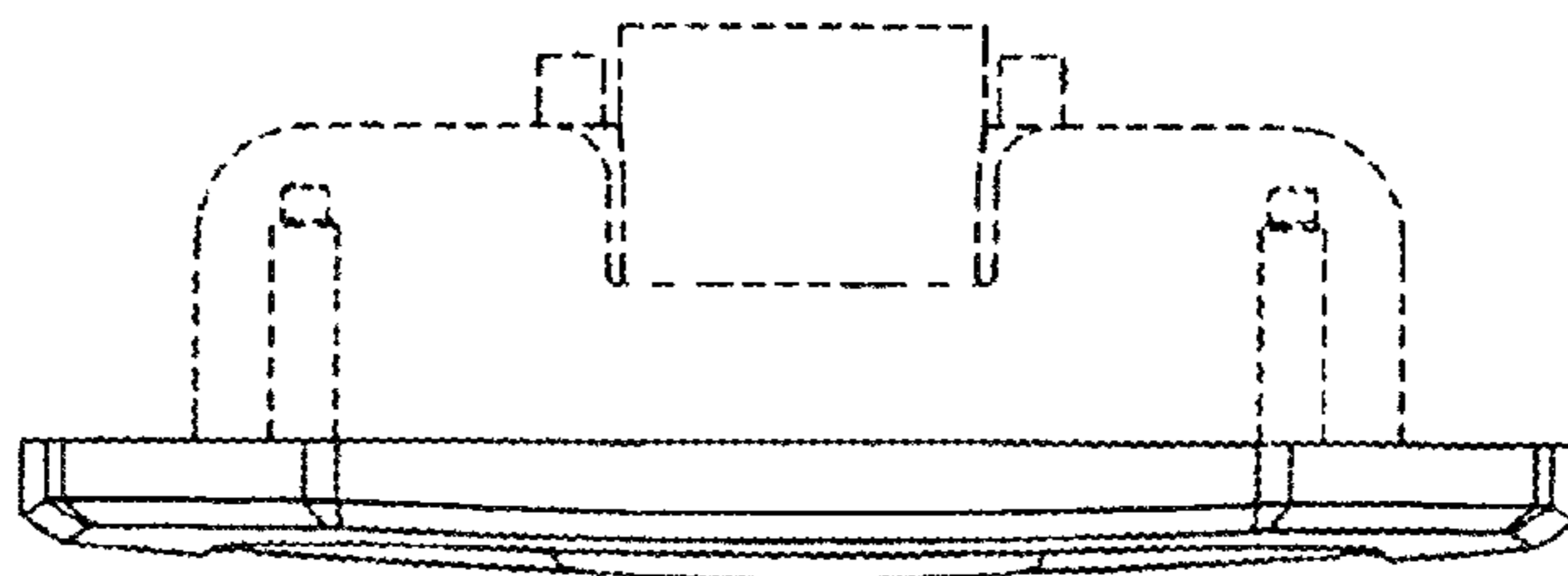


Fig. 2

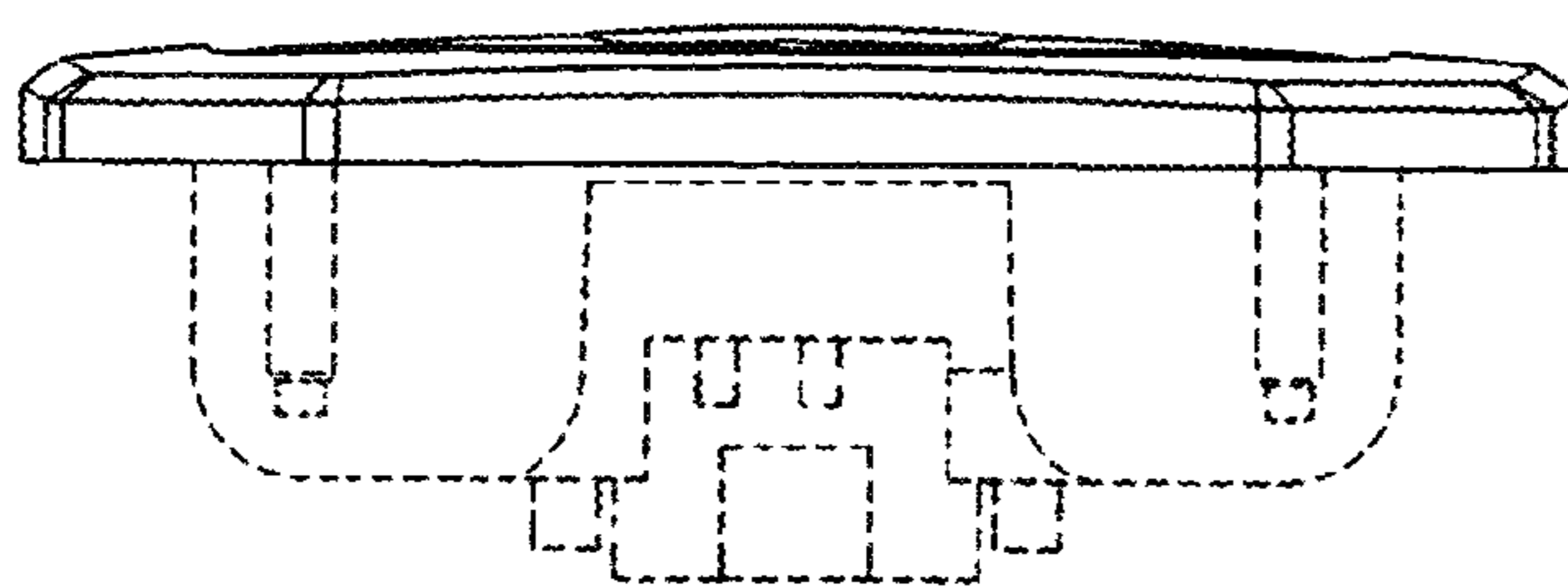


Fig. 3

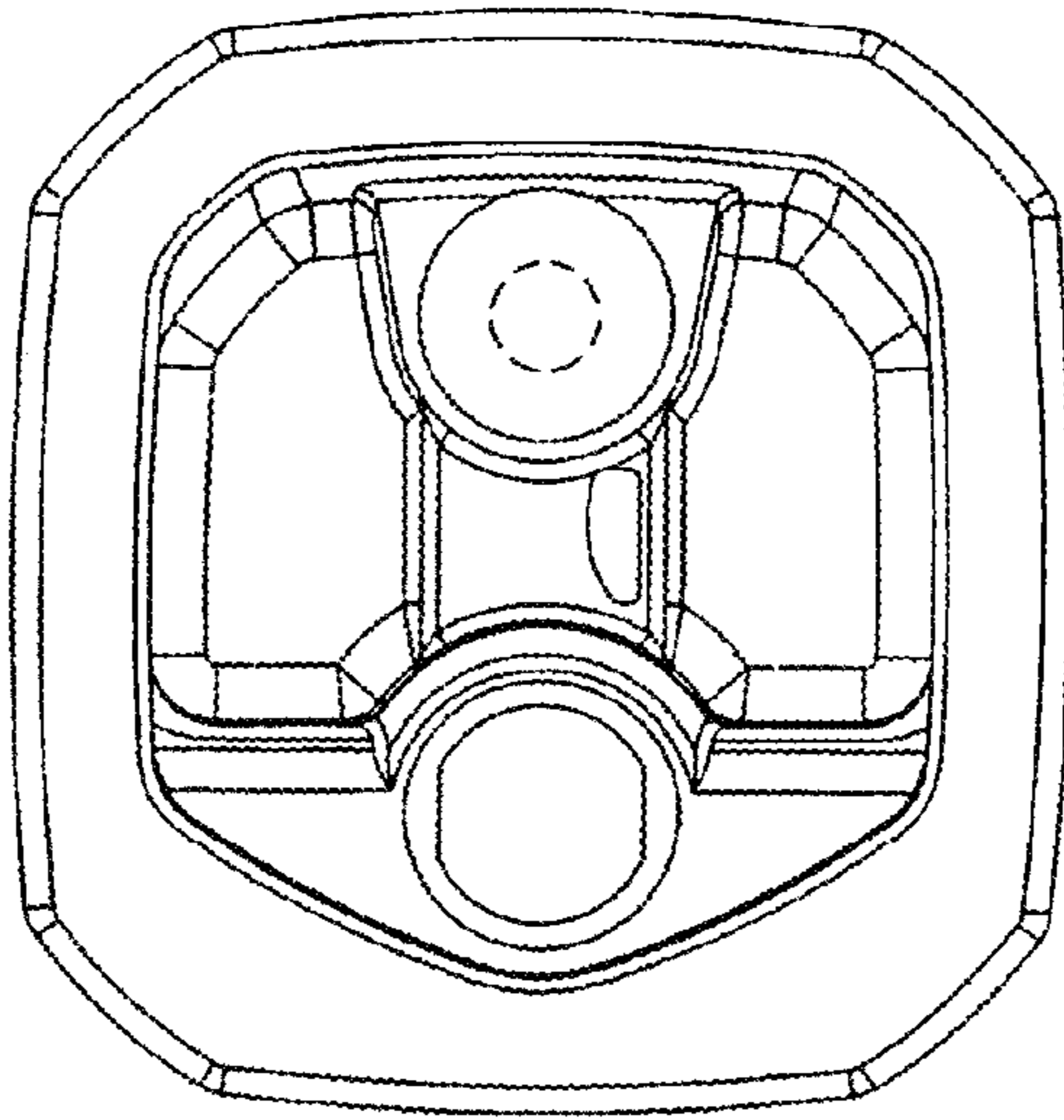


Fig. 4

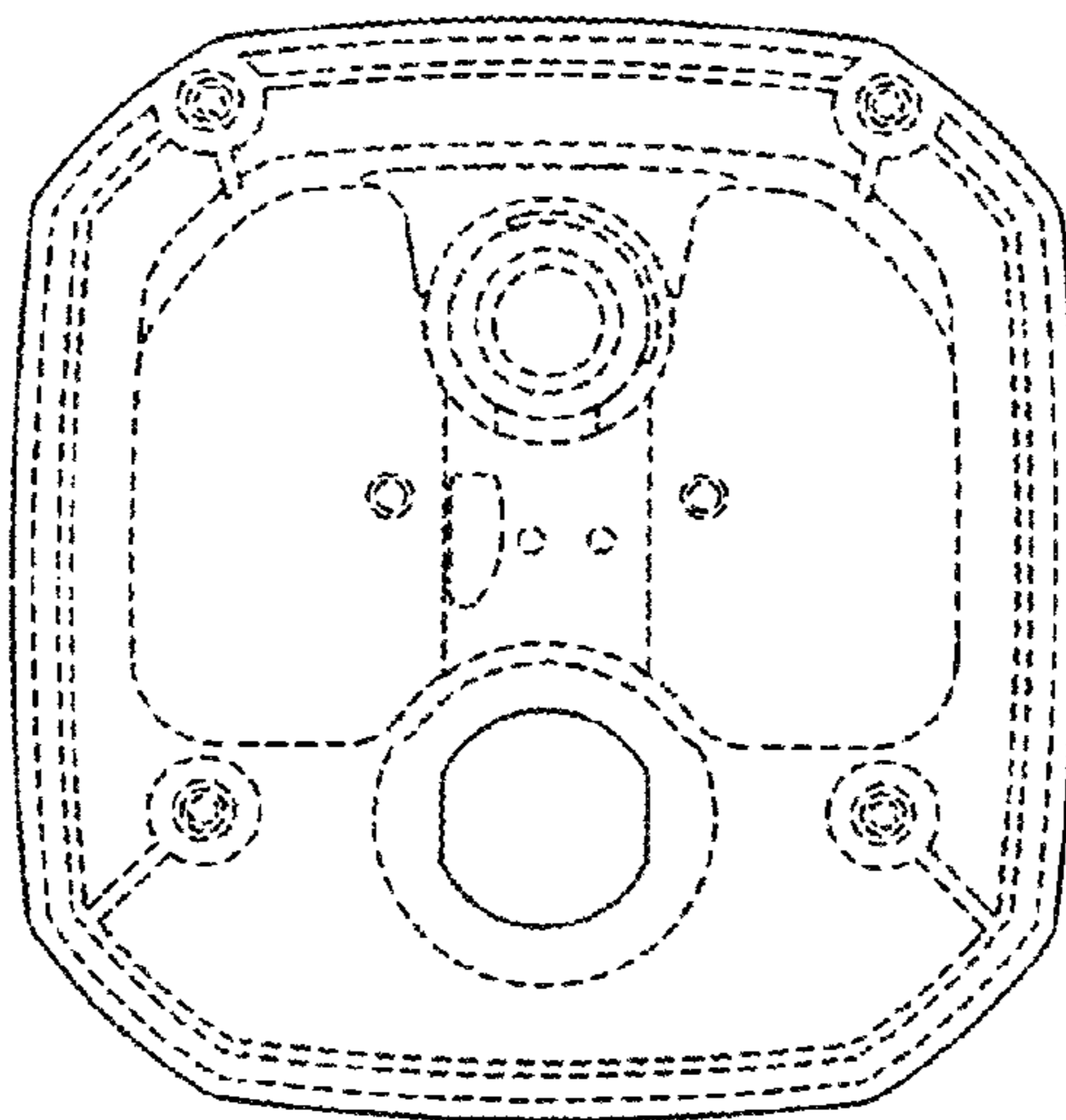


Fig. 5

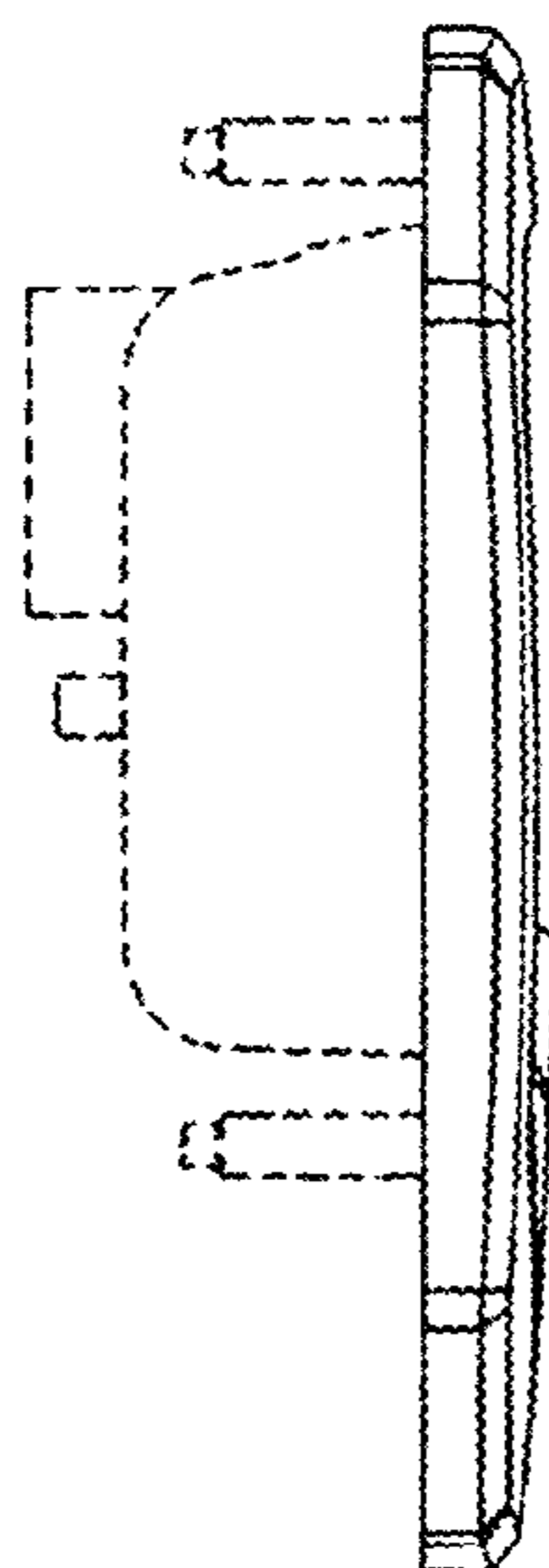


Fig. 6

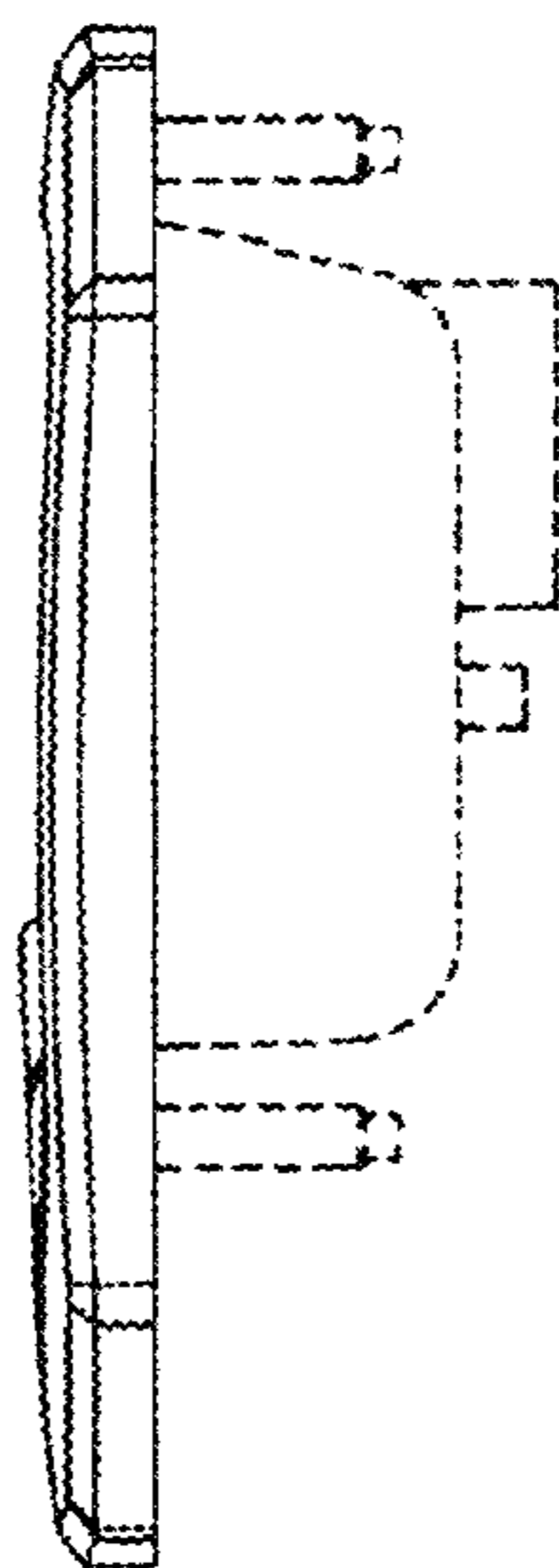


Fig. 7