



US00D747638S

(12) **United States Design Patent**
Hernandez et al.

(10) **Patent No.:** **US D747,638 S**
(45) **Date of Patent:** **** Jan. 19, 2016**

(54) **MULTIFUNCTION TOOL**

(71) Applicant: **Alltrade Tools LLC**, Long Beach, CA (US)

(72) Inventors: **Hector Ray Hernandez**, Fullerton, CA (US); **Vincent W. Caito**, Pomona, CA (US); **Zhang Jianfeng**, Shanghai (CN)

(73) Assignee: **ALLTRADE TOOLS LLC**, Long Beach, CA (US)

(**) Term: **14 Years**

(21) Appl. No.: **29/508,366**

(22) Filed: **Nov. 5, 2014**

(51) **LOC (10) Cl.** **08-05**

(52) **U.S. Cl.**
USPC **D8/105**

(58) **Field of Classification Search**
USPC D3/210; D8/4, 5, 6, 7, 9, 26, 51, 52, 55, D8/58, 98, 99, 105, 106, 107; 7/118, 127, 7/128, 129, 138; 30/153, 155, 158, 161, 30/162; 81/427.5, 440
See application file for complete search history.

D630,080 S *	1/2011	Seeds et al.	D8/105
D630,925 S *	1/2011	Garcia et al.	D8/105
D653,929 S *	2/2012	Rivera et al.	D8/105
D654,344 S *	2/2012	Rivera et al.	D8/105
D660,125 S *	5/2012	Seeds et al.	D8/105
D660,126 S *	5/2012	Cagampang et al.	D8/105
D711,207 S *	8/2014	Seeds et al.	D8/105
D719,006 S *	12/2014	Steiner et al.	D8/105
D719,432 S *	12/2014	Leach et al.	D8/105
D732,368 S *	6/2015	Bo	D8/105

* cited by examiner

Primary Examiner — Susan Bennett Hattan

Assistant Examiner — Leanne Was

(74) *Attorney, Agent, or Firm* — Fulwider Patton LLP

(57) **CLAIM**

The ornamental design for a multifunction tool, as shown and described.

DESCRIPTION

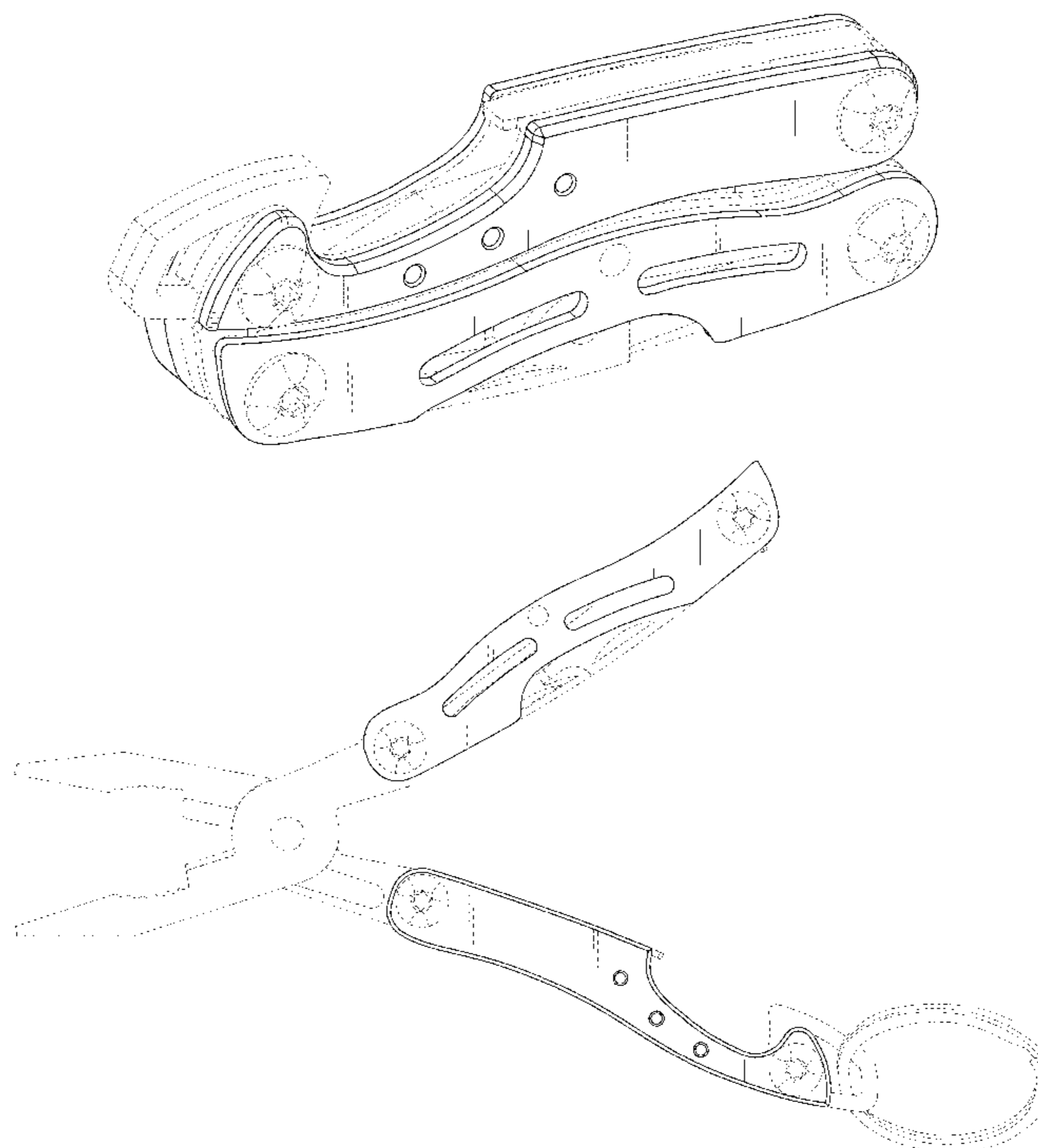
FIG. 1 is a perspective view of a multifunction tool, showing our new design in a closed configuration;
 FIG. 2 is a top view thereof;
 FIG. 3 is a front view thereof;
 FIG. 4 is a right view thereof;
 FIG. 5 is a back view thereof;
 FIG. 6 is a left view thereof;
 FIG. 7 is a bottom view thereof; and,
 FIG. 8 is a perspective view thereof, showing our new design in an open configuration.
 Those portions of the figures shown in dotted lines form no part of our invention, but are included to show the context and environment of the invention.

1 Claim, 4 Drawing Sheets

(56) **References Cited**

U.S. PATENT DOCUMENTS

D603,682 S *	11/2009	Brands	D8/105
D623,038 S *	9/2010	Seeds et al.	D8/107
D623,039 S *	9/2010	Seeds et al.	D8/107
D626,810 S *	11/2010	Steineckert et al.	D8/55
D627,202 S *	11/2010	Steineckert et al.	D8/55



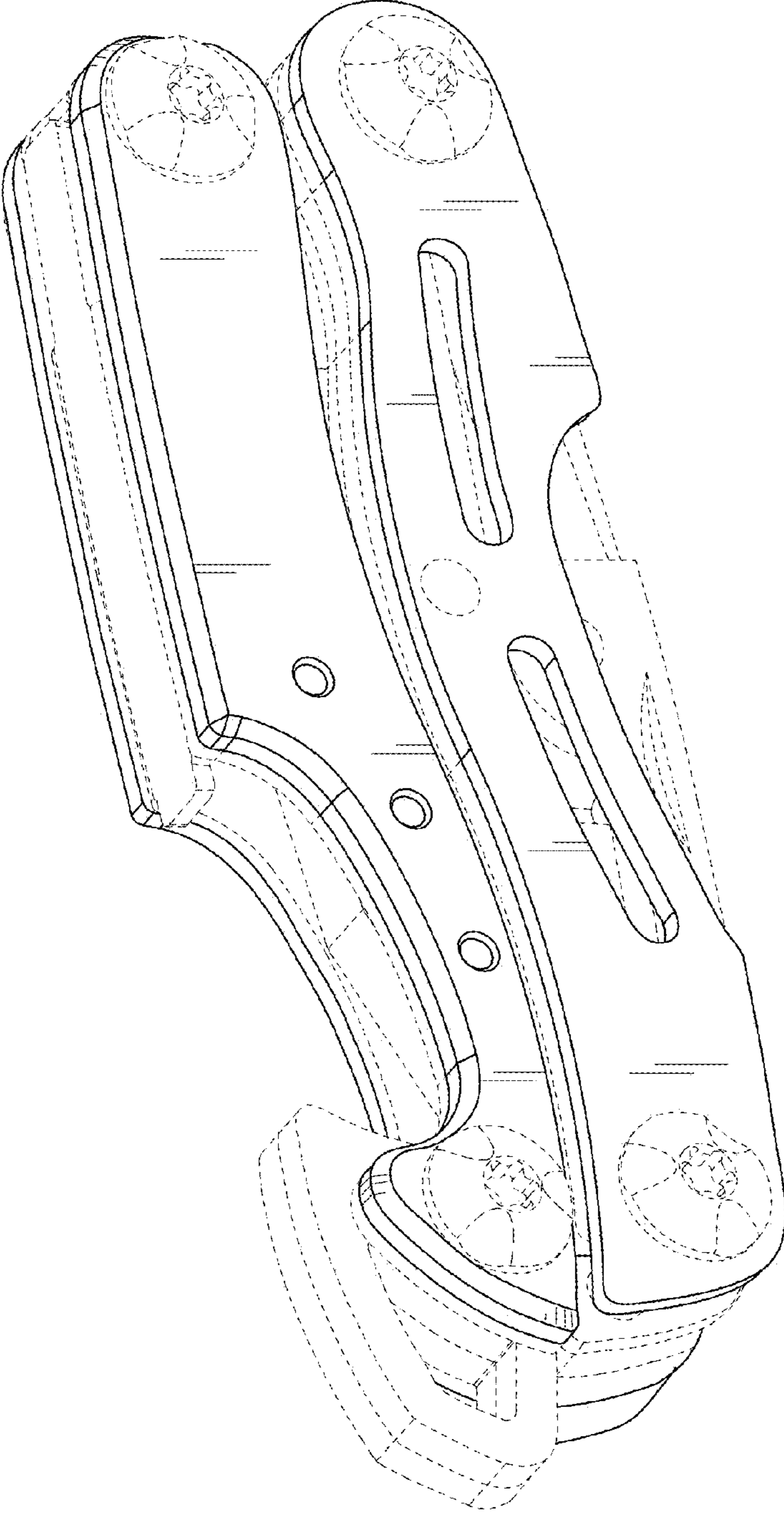


FIG. 1

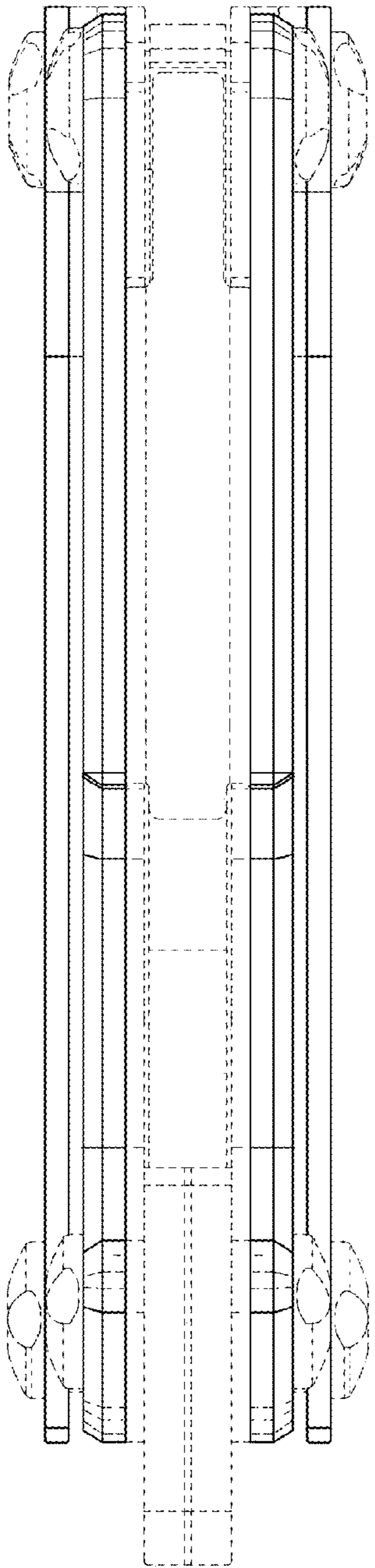


FIG. 2

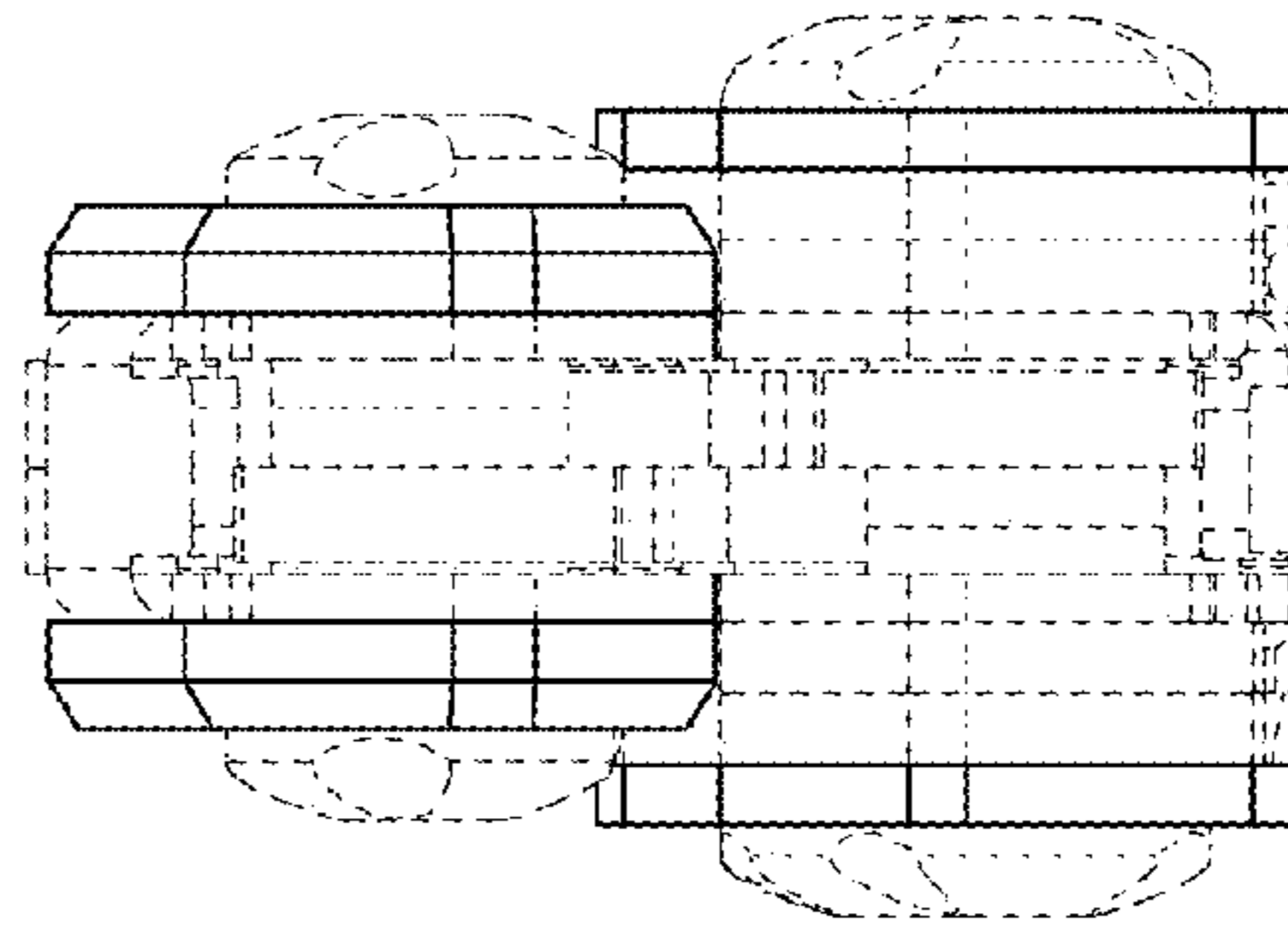


FIG. 4

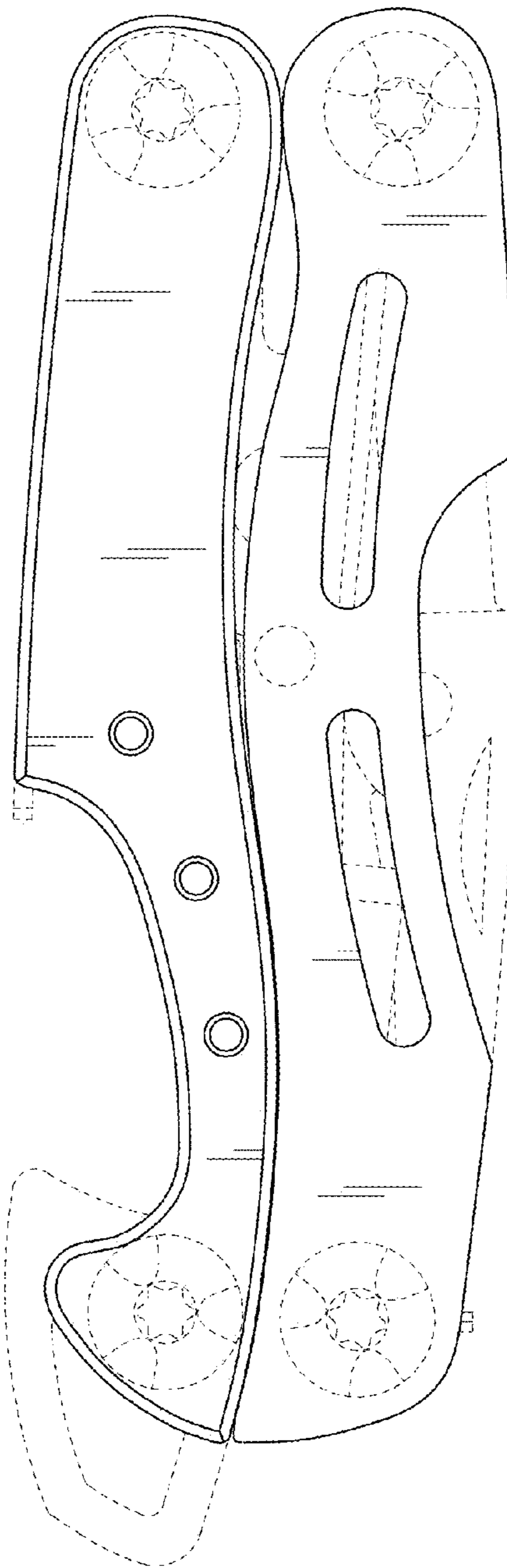


FIG. 3

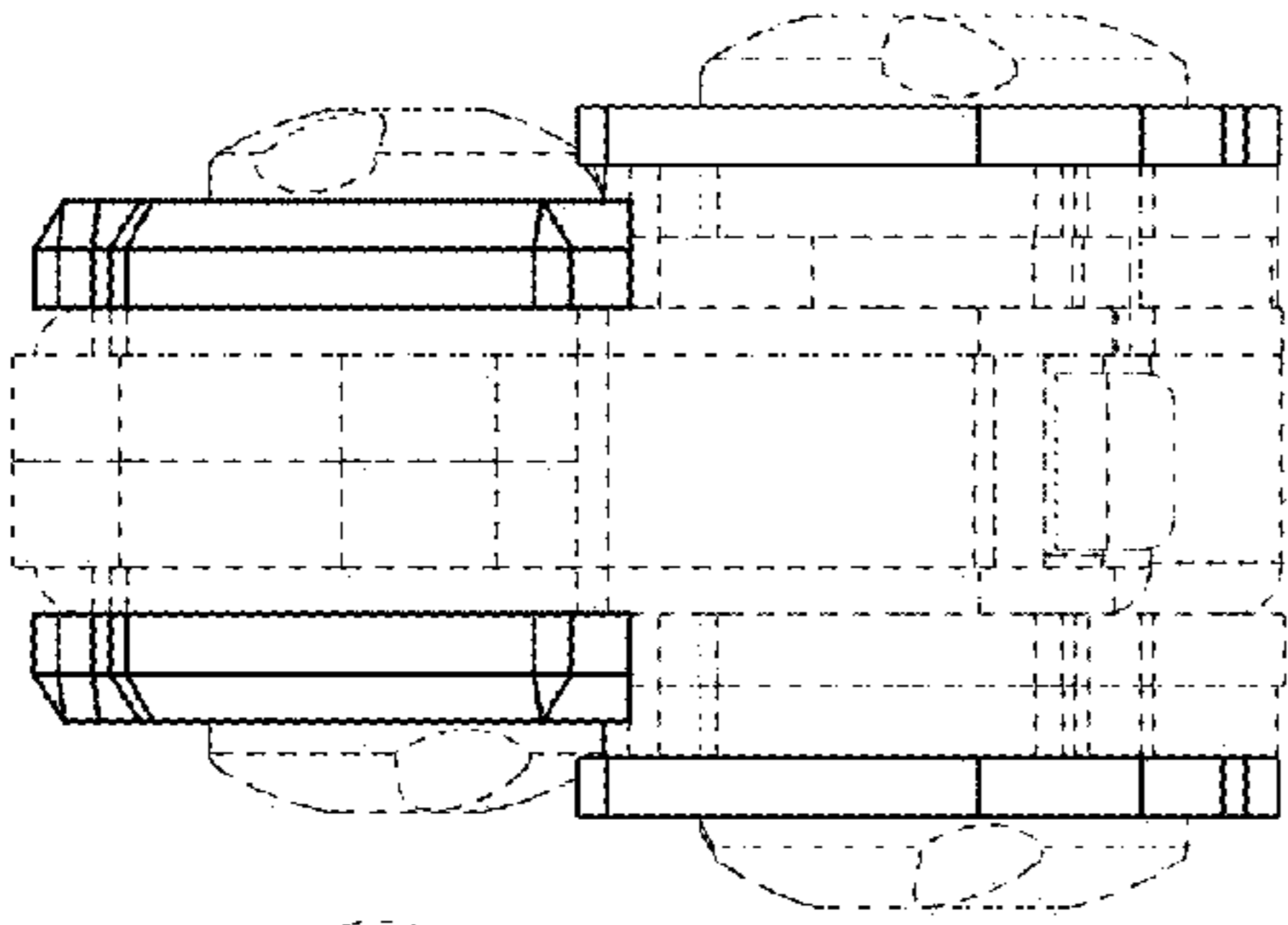


FIG. 6

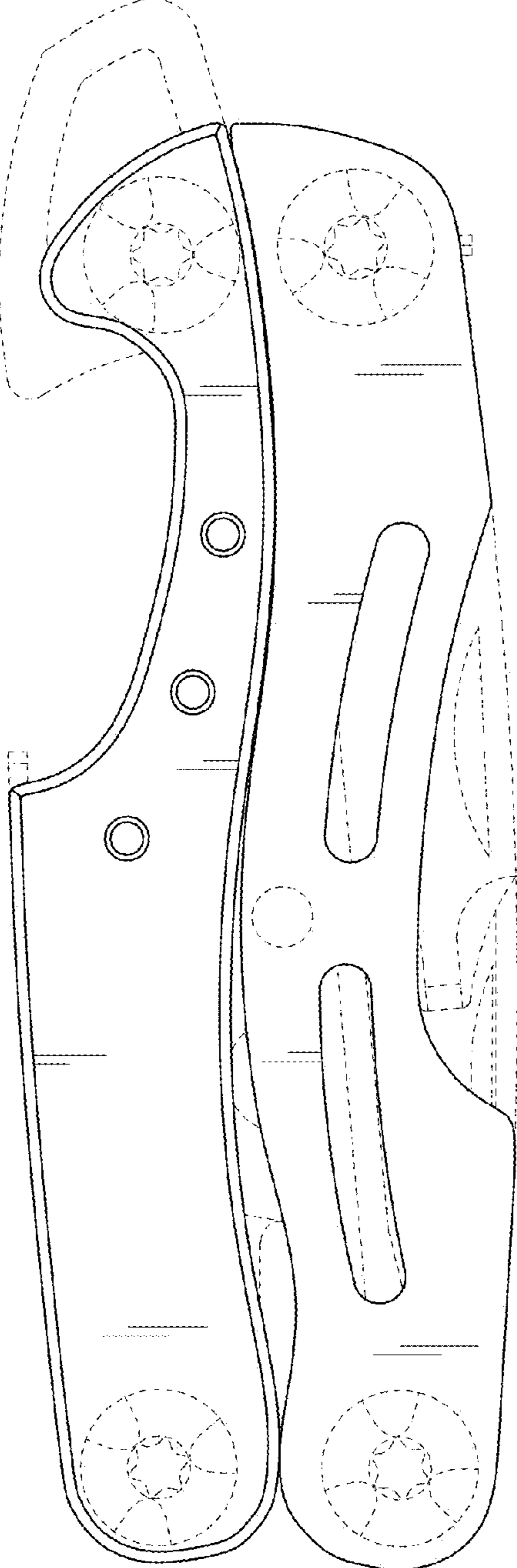


FIG. 5

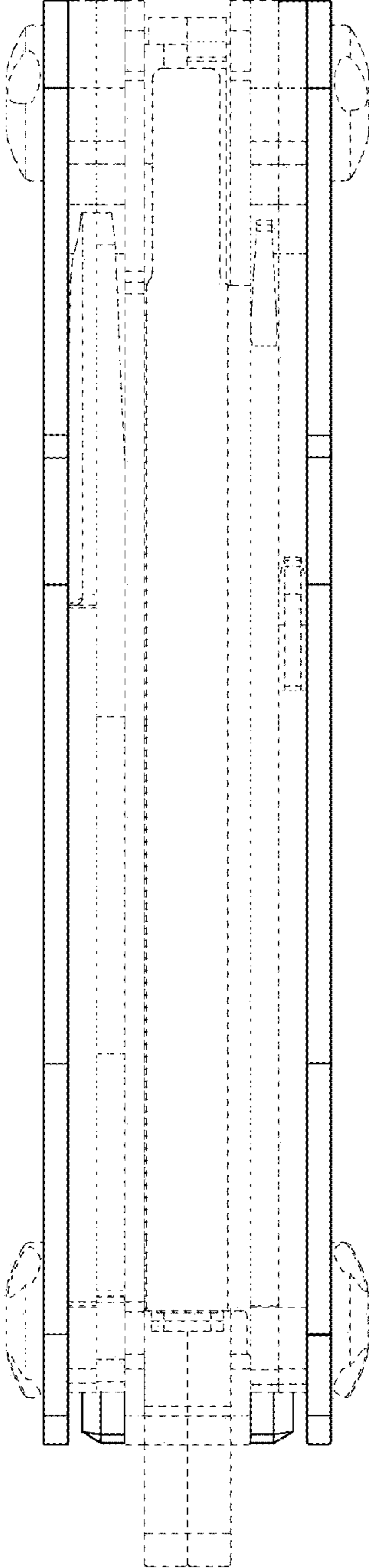


FIG. 7

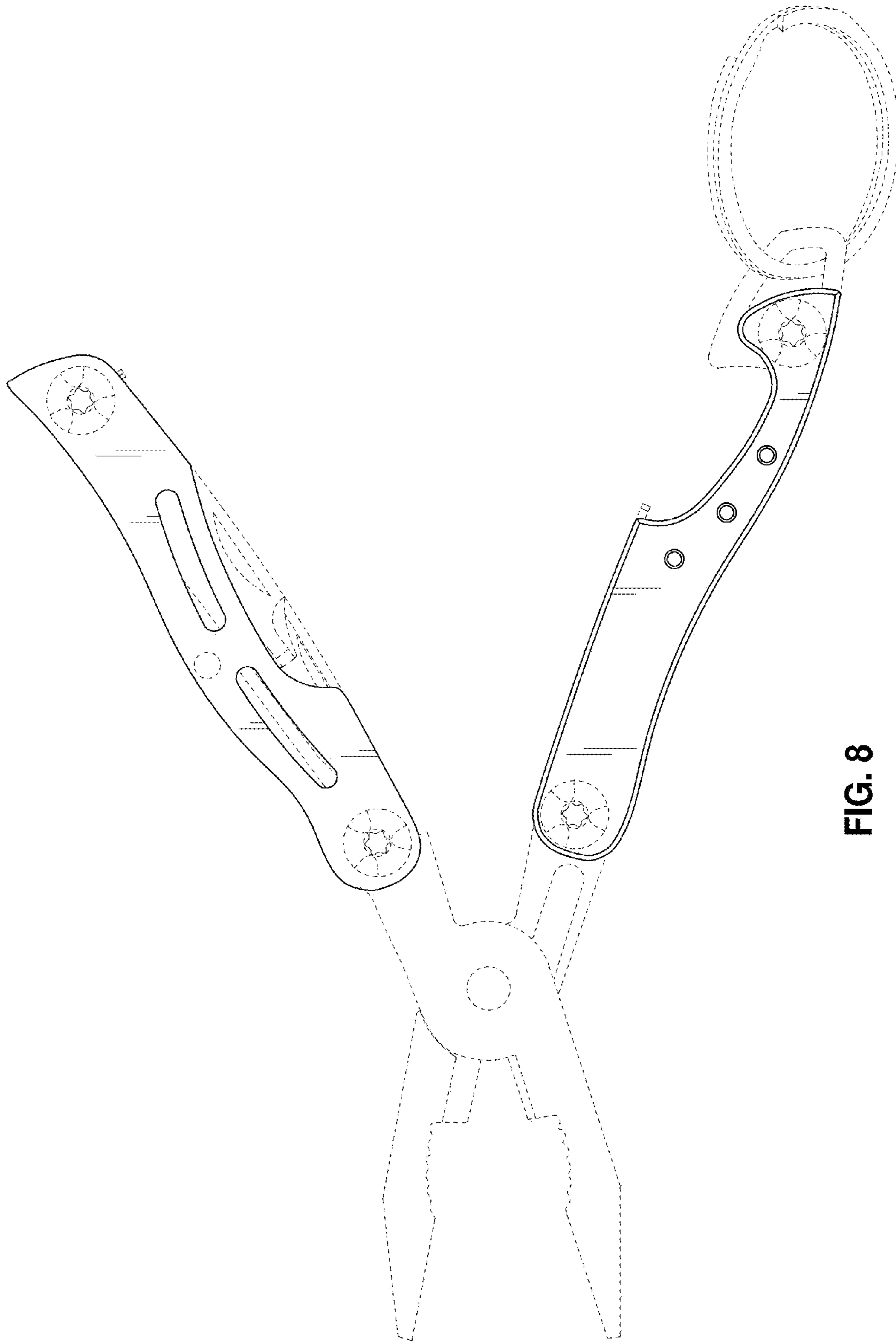


FIG. 8