



US00D747635S

(12) **United States Design Patent**
Boyd, Jr. et al.

(10) **Patent No.:** **US D747,635 S**
(45) **Date of Patent:** **** Jan. 19, 2016**

- (54) **CONNECTOR RELEASE TOOL**
- (71) Applicants: **Ronald E. Boyd, Jr.**, Chichester, NH (US); **Kim Albright**, Warner, NH (US)
- (72) Inventors: **Ronald E. Boyd, Jr.**, Chichester, NH (US); **Kim Albright**, Warner, NH (US)
- (73) Assignee: **OSRAM SYLVANIA Inc.**, Wilmington, MA (US)
- (**) Term: **14 Years**
- (21) Appl. No.: **29/513,201**
- (22) Filed: **Dec. 29, 2014**

D340,389	S *	10/1993	Yamanashi	D13/154
D359,208	S *	6/1995	Ivey	D8/14
6,401,571	B1 *	6/2002	Schuman	H01K 3/32
					81/52
6,817,089	B2 *	11/2004	Whitehead	B25B 27/10
					254/131
7,257,888	B2 *	8/2007	Nelson	H01R 43/26
					29/278
7,303,220	B2 *	12/2007	Zellak	G02B 6/3807
					29/762
7,534,128	B2 *	5/2009	Caveney	H01R 43/26
					29/764
7,814,634	B2 *	10/2010	Francis	H01R 43/26
					29/426.5
8,434,206	B2 *	5/2013	Yu	B25B 9/02
					29/278

* cited by examiner

Related U.S. Application Data

- (62) Division of application No. 29/464,460, filed on Aug. 16, 2013, now Pat. No. Des. 723,346.
- (51) **LOC (10) Cl.** **08-05**
- (52) **U.S. Cl.**
USPC **D8/14**
- (58) **Field of Classification Search**
USPC D8/14; 29/758, 764; 211/17, 26, 41
CPC H01K 3/32; H01R 43/26; B25B 9/02
See application file for complete search history.

Primary Examiner — Phillip S Hyder

(74) *Attorney, Agent, or Firm* — Edward S. Podszus

(57) **CLAIM**

The ornamental design for a connector release tool, as shown and described.

DESCRIPTION

FIG. 1 is a perspective view of the design for a connector release tool as seen from the front, left side; FIG. 2 is a front elevational view thereof; FIG. 3 is a rear elevational view thereof; FIG. 4 is a right side view thereof; FIG. 5 is a left side view thereof; FIG. 6 is a top plan view thereof; and, FIG. 7 is a bottom plan view thereof.

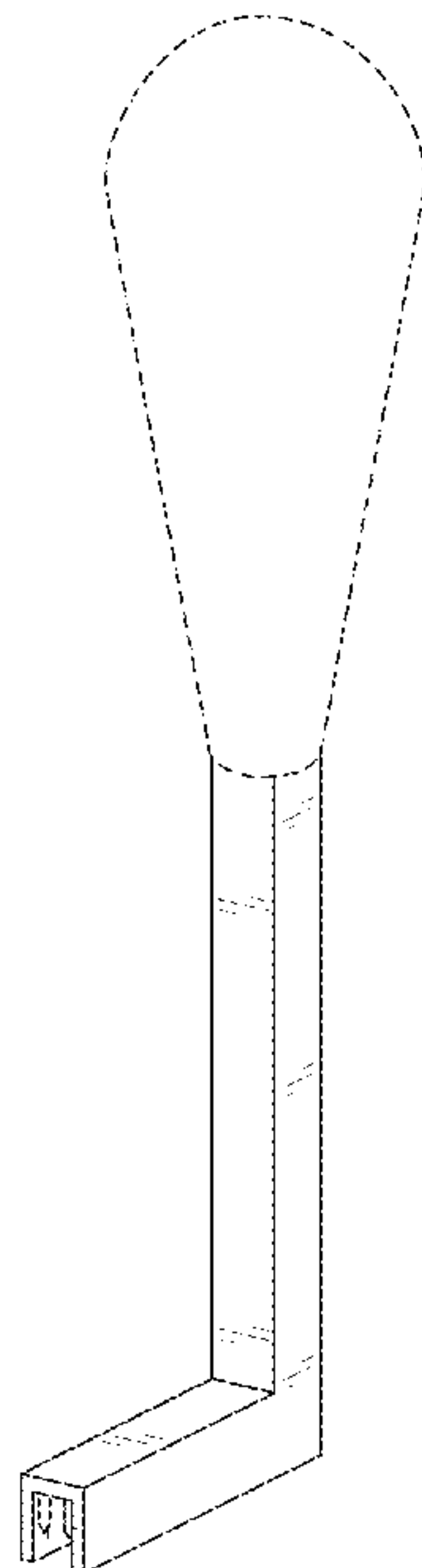
The broken lines depict portions of the connector release tool in which the design is embodied that are not considered part of the claimed design.

1 Claim, 4 Drawing Sheets

(56) **References Cited**

U.S. PATENT DOCUMENTS

D264,300	S *	5/1982	Imm	29/270
4,424,625	A *	1/1984	Callahan	H01R 12/7005
					29/275
4,841,819	A *	6/1989	Williams	B25B 9/02
					29/278
4,852,925	A *	8/1989	Lodin	H01K 3/32
					29/758



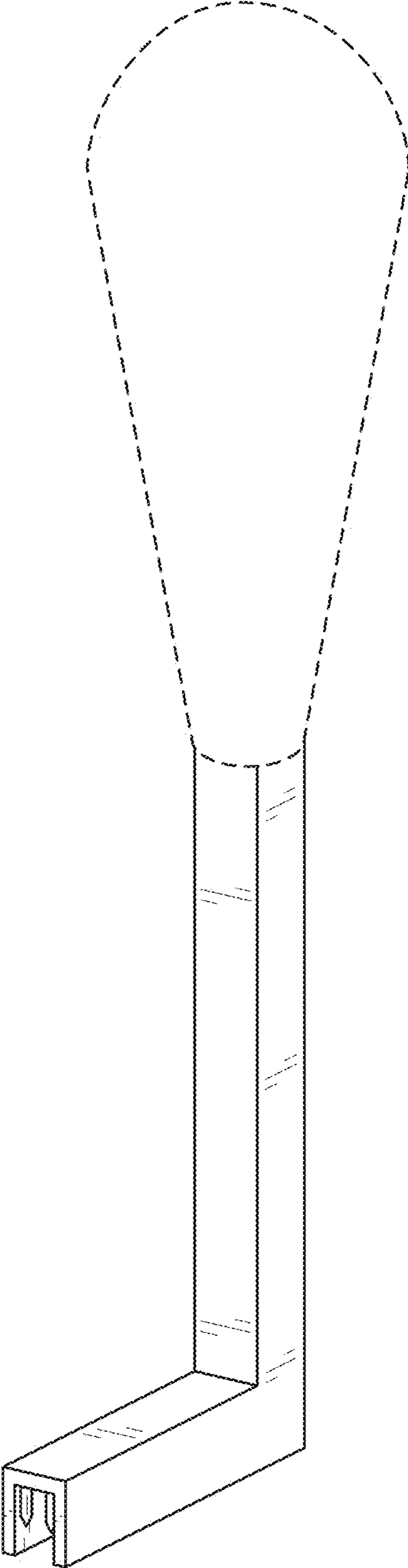


FIG. 1

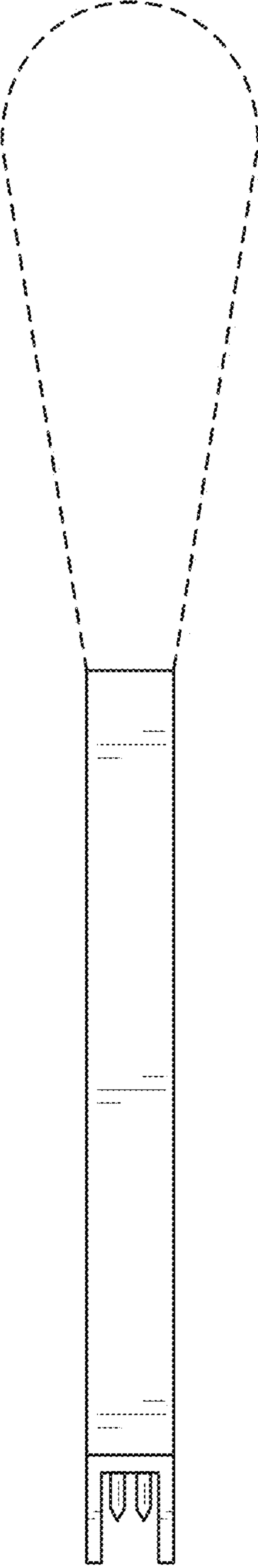


FIG. 2

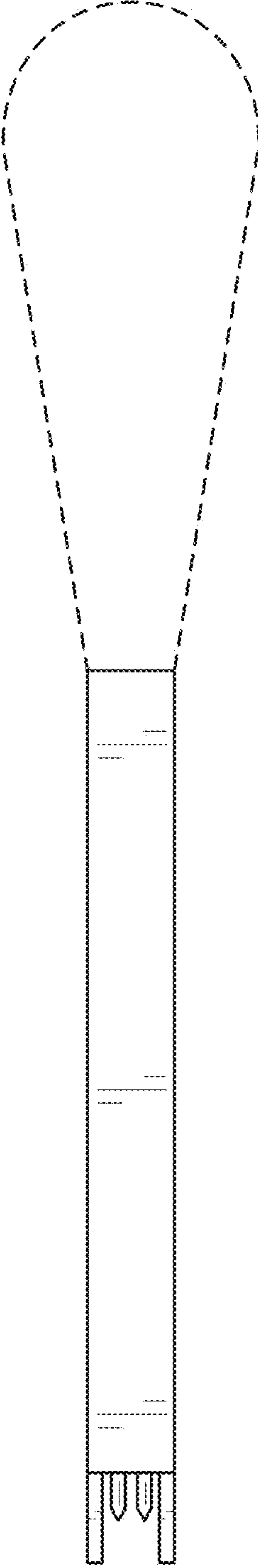


FIG. 3

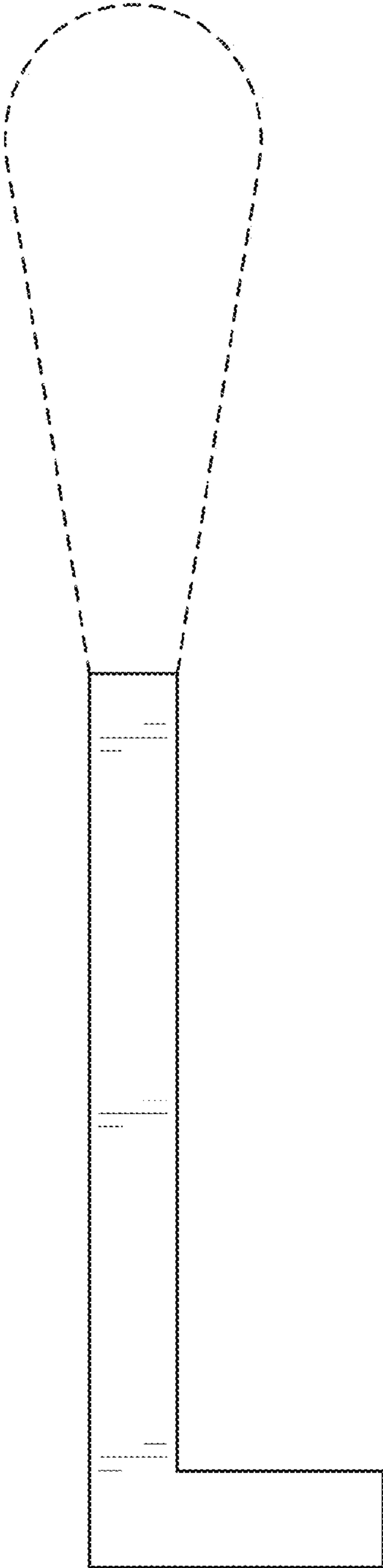


FIG. 4

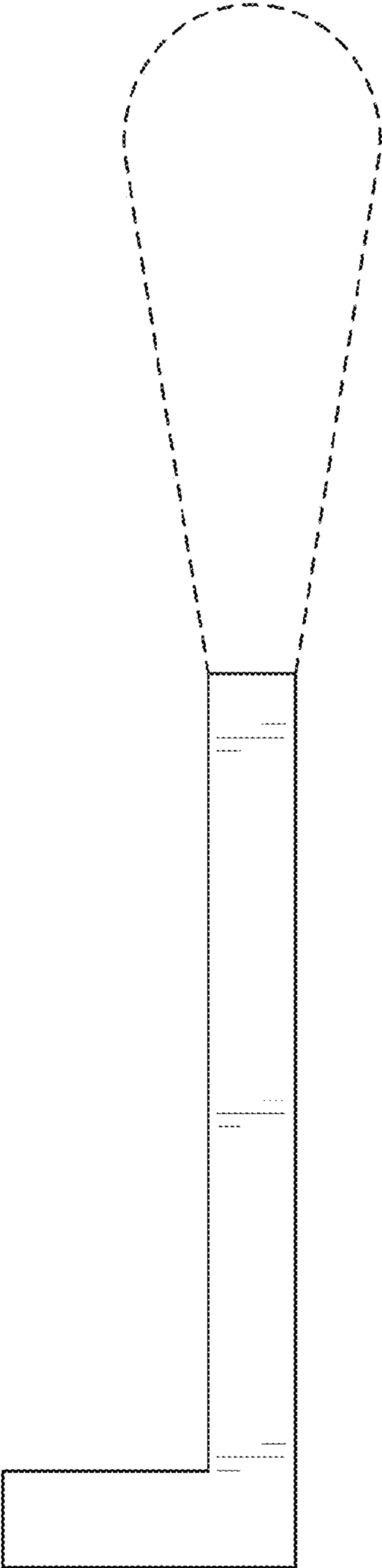


FIG. 5

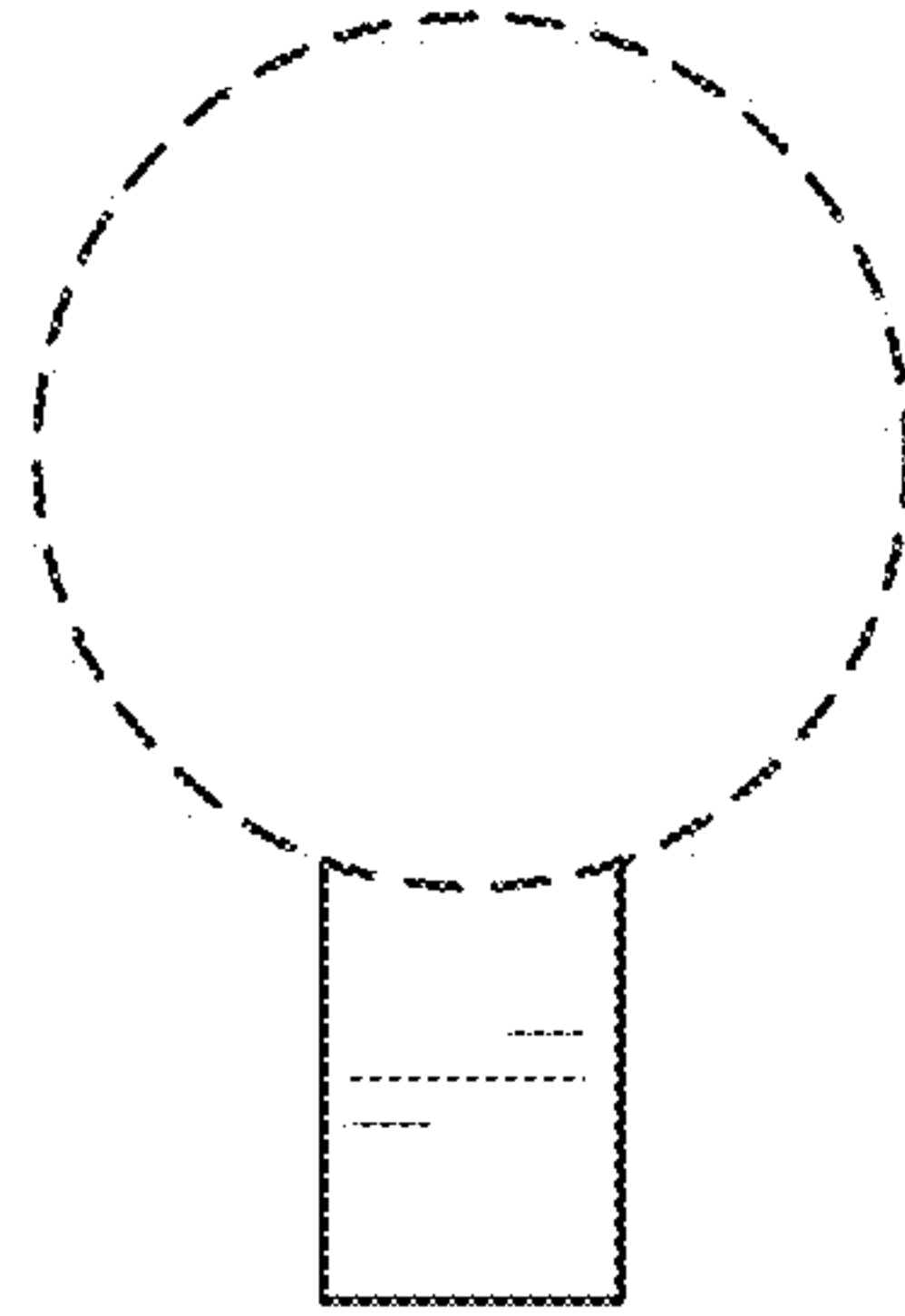


FIG. 6

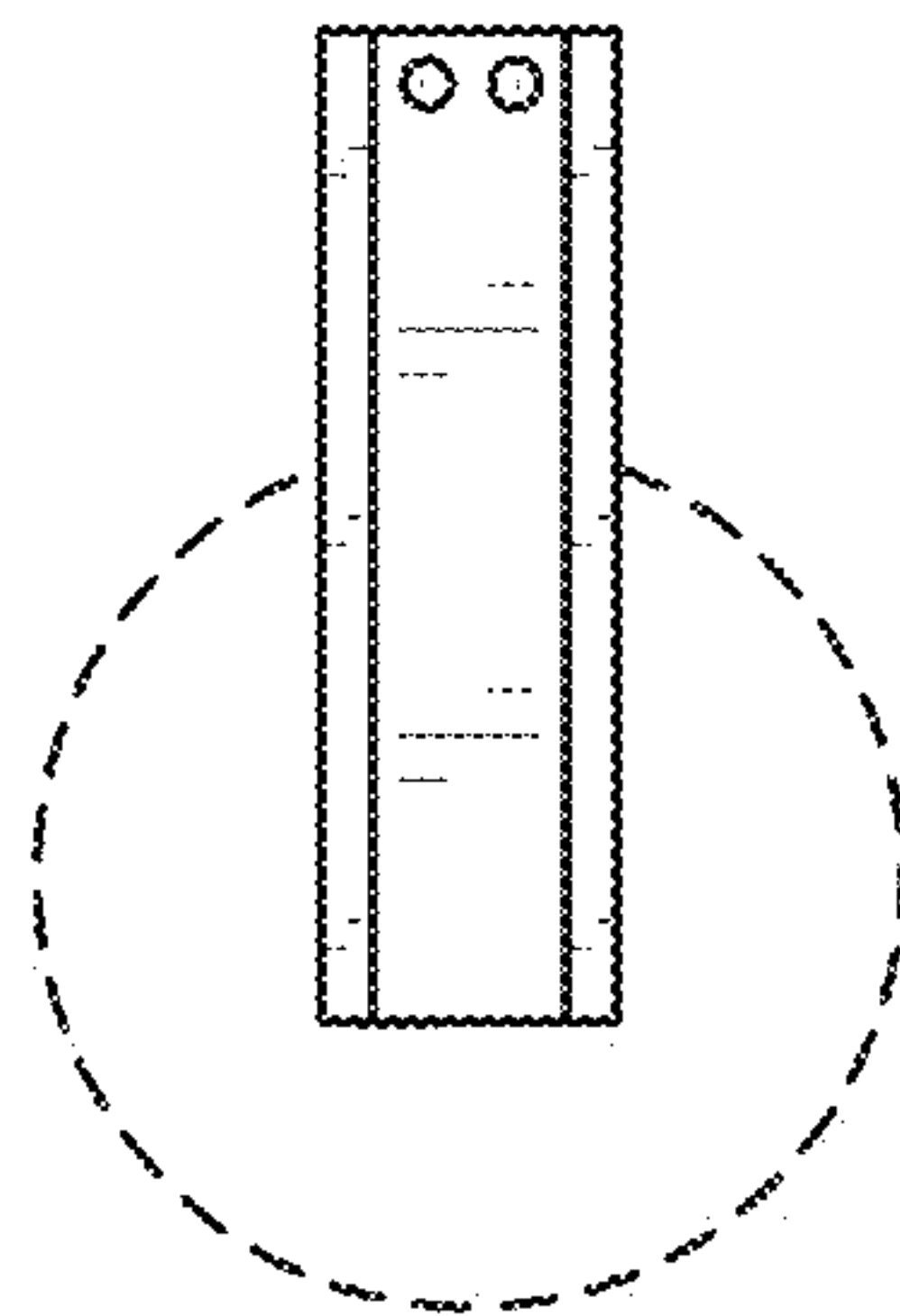


FIG. 7