



US00D747634S

(12) **United States Design Patent**
Katagiyama et al.

(10) **Patent No.:** **US D747,634 S**
(45) **Date of Patent:** **** Jan. 19, 2016**

(54) **GUIDE INSTRUMENT FOR OPTICAL CONNECTOR**

(71) Applicant: **Japan Aviation Electronics Industry, Limited**, Tokyo (JP)

(72) Inventors: **Naoki Katagiyama**, Tokyo (JP); **Yuichi Koreeda**, Tokyo (JP)

(73) Assignee: **Japan Aviation Electronics Industry, Limited**, Tokyo (JP)

(**) Term: **14 Years**

(21) Appl. No.: **29/503,966**

(22) Filed: **Oct. 1, 2014**

(30) **Foreign Application Priority Data**

Apr. 15, 2014 (JP) 2014-008190

(51) **LOC (10) Cl.** **08-05**

(52) **U.S. Cl.**
USPC **D8/14**

(58) **Field of Classification Search**
USPC D8/14, 51; D13/133
CPC .. G02B 6/3807; G02B 6/3846; G02B 6/3866;
H01R 43/22
See application file for complete search history.

(56) **References Cited**

U.S. PATENT DOCUMENTS

- 3,811,168 A * 5/1974 Anderson H01R 43/22
29/747
- 4,351,109 A * 9/1982 Kelly H01R 43/22
29/747
- 5,956,832 A * 9/1999 Reagan B25B 27/14
29/278

- D429,130 S * 8/2000 Fallandy D8/51
- D431,171 S * 9/2000 Fallandy D8/98
- D505,052 S * 5/2005 Dinh D8/14
- 7,303,220 B2 * 12/2007 Zellak G02B 6/3807
29/762
- 7,346,255 B2 * 3/2008 Yamaguchi G02B 6/3807
385/134
- D683,705 S 6/2013 Katagiyama et al.
- 8,480,314 B2 * 7/2013 Saito G02B 6/3862
385/95
- 8,873,921 B2 * 10/2014 Lee G02B 6/3825
385/134
- 9,075,204 B2 * 7/2015 Nishioka G02B 6/3846
- 9,134,485 B2 * 9/2015 Fujiwara G02B 6/3866
- 2009/0286326 A1 * 11/2009 Caldwell G01N 27/44704
436/174

* cited by examiner

Primary Examiner — Phillip S Hyder

(74) *Attorney, Agent, or Firm* — Cermak Nakajima & McGowan LLP; Tomoko Nakajima

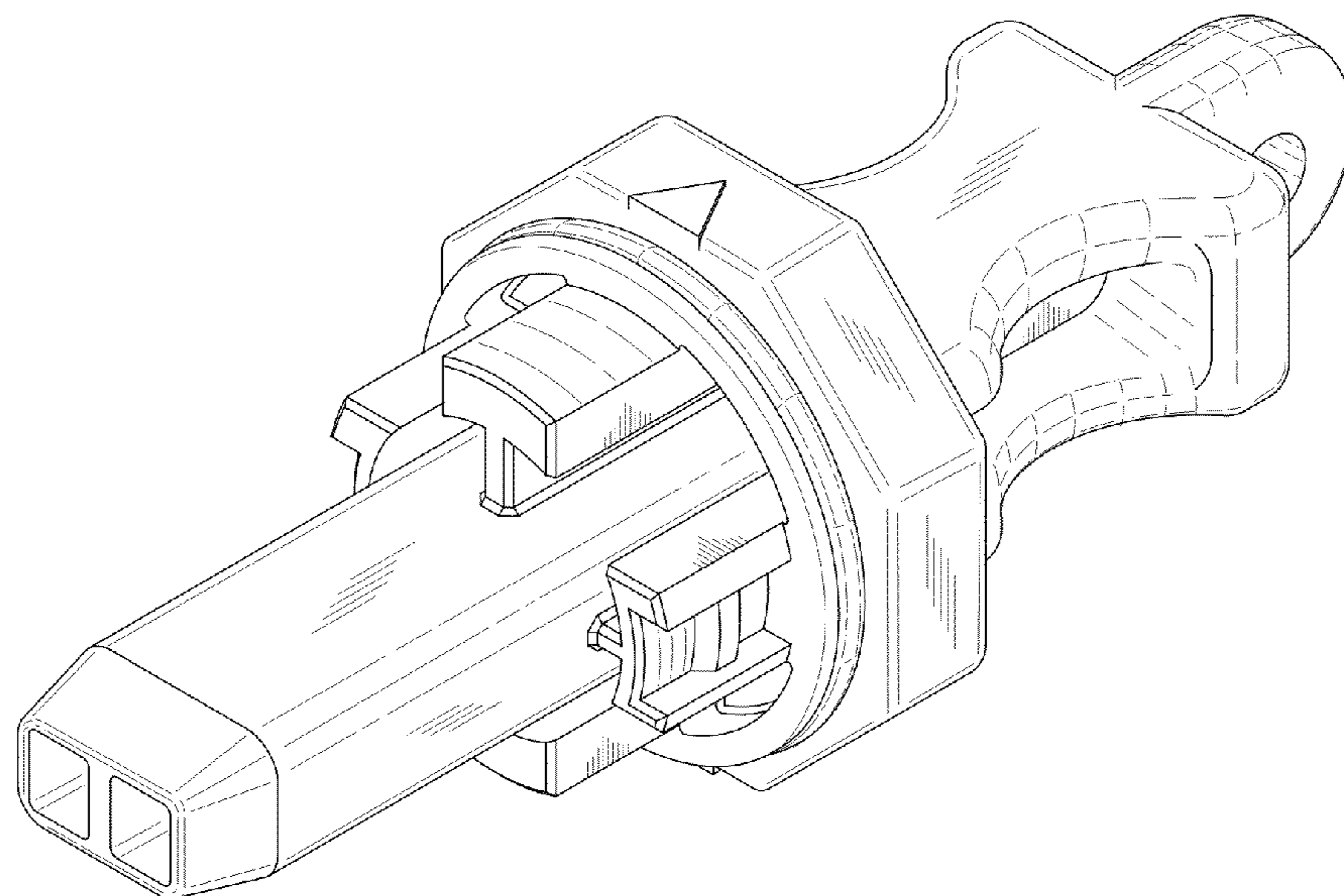
(57) **CLAIM**

The ornamental design for a guide instrument for optical connector, as shown.

DESCRIPTION

FIG. 1 is a front elevational view of a guide instrument for optical connector showing our new design;
FIG. 2 is a top plan view thereof;
FIG. 3 is a right side elevational view thereof;
FIG. 4 is a left side elevational view thereof;
FIG. 5 is a rear elevational view thereof;
FIG. 6 is a bottom plan view thereof;
FIG. 7 is a front and top perspective view thereof;
FIG. 8 is a rear and top perspective view thereof;
FIG. 9 is a front and bottom perspective view thereof; and,
FIG. 10 is a rear and bottom perspective view thereof.

1 Claim, 10 Drawing Sheets



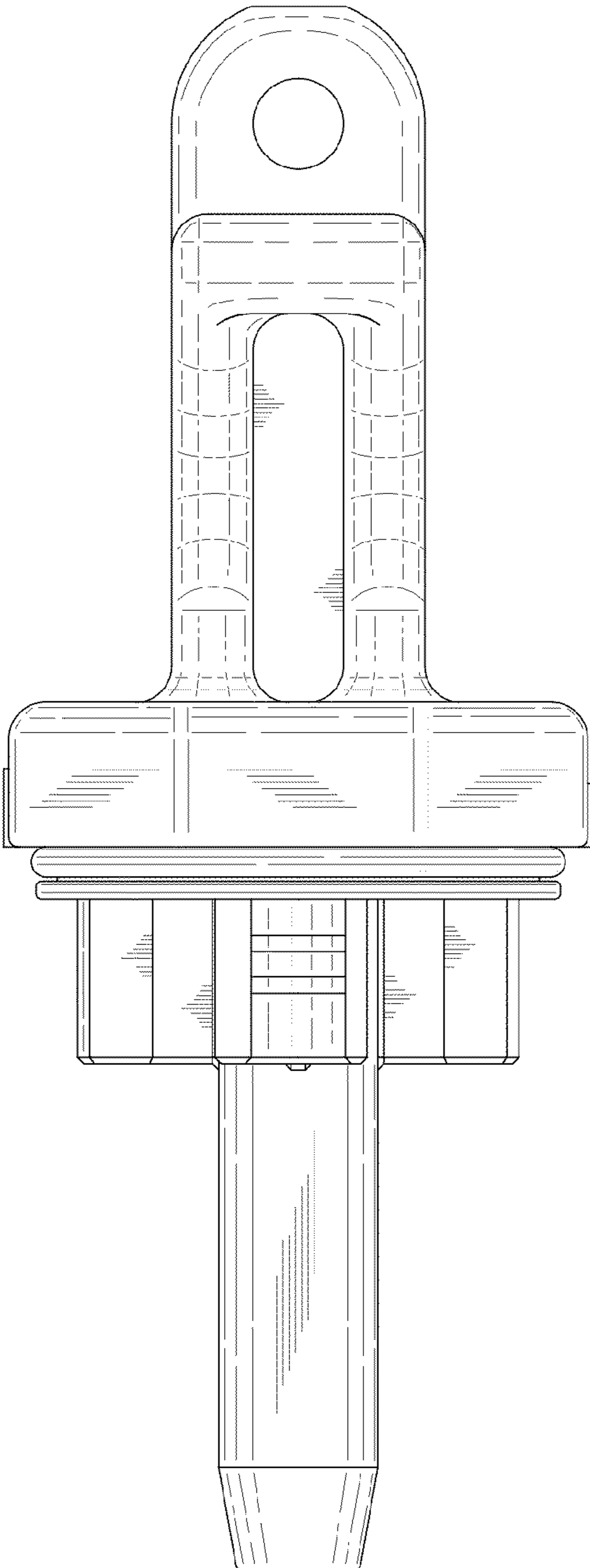


FIG.1

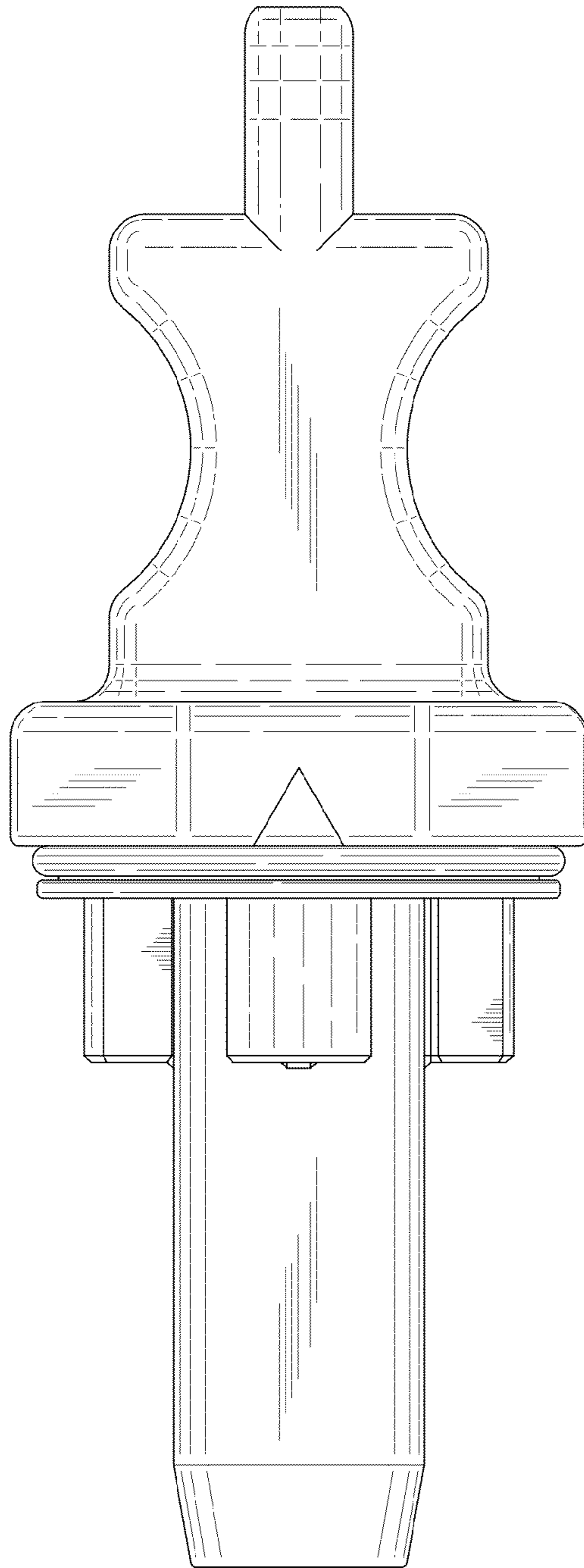


FIG. 2

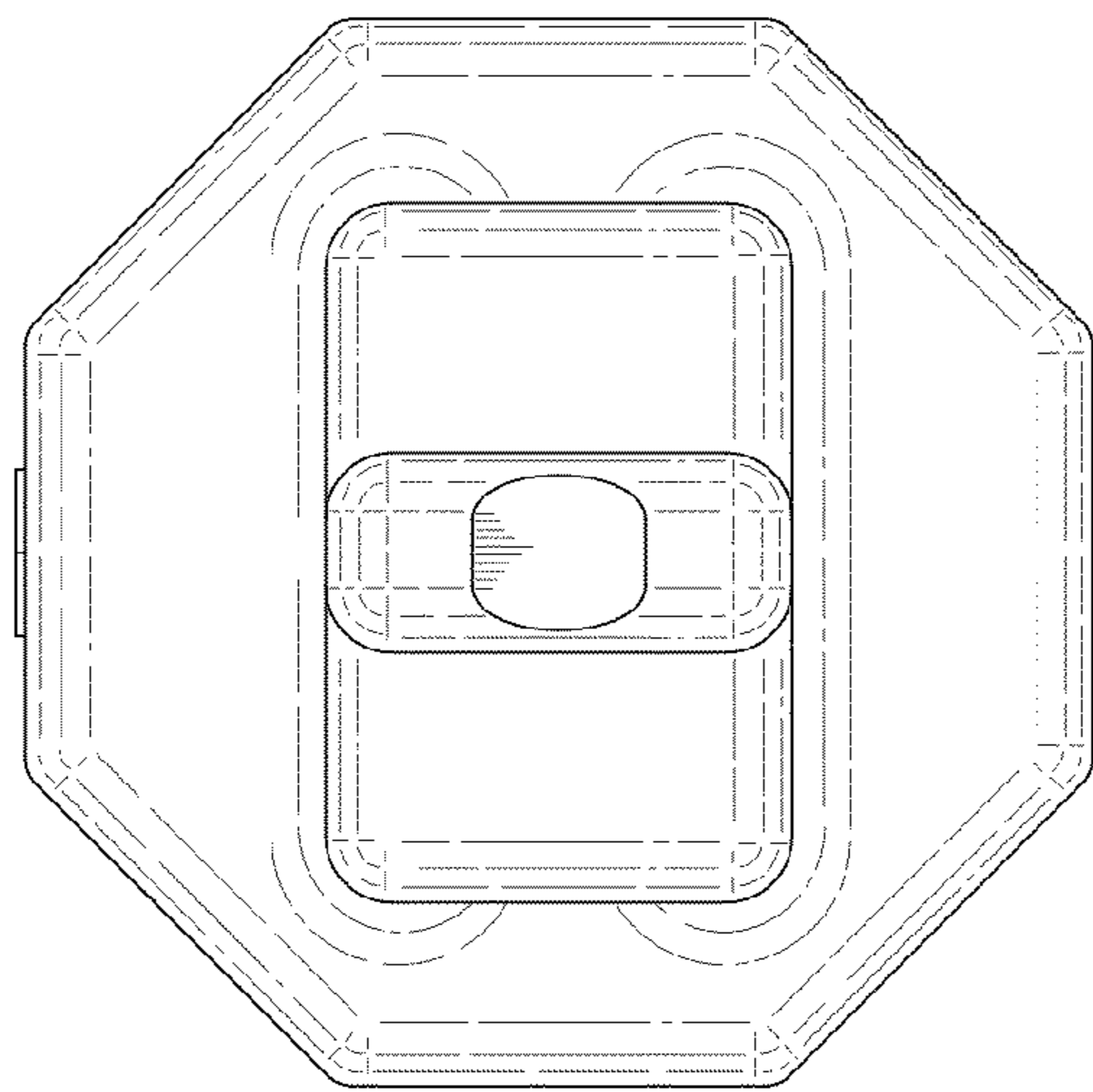


FIG.3

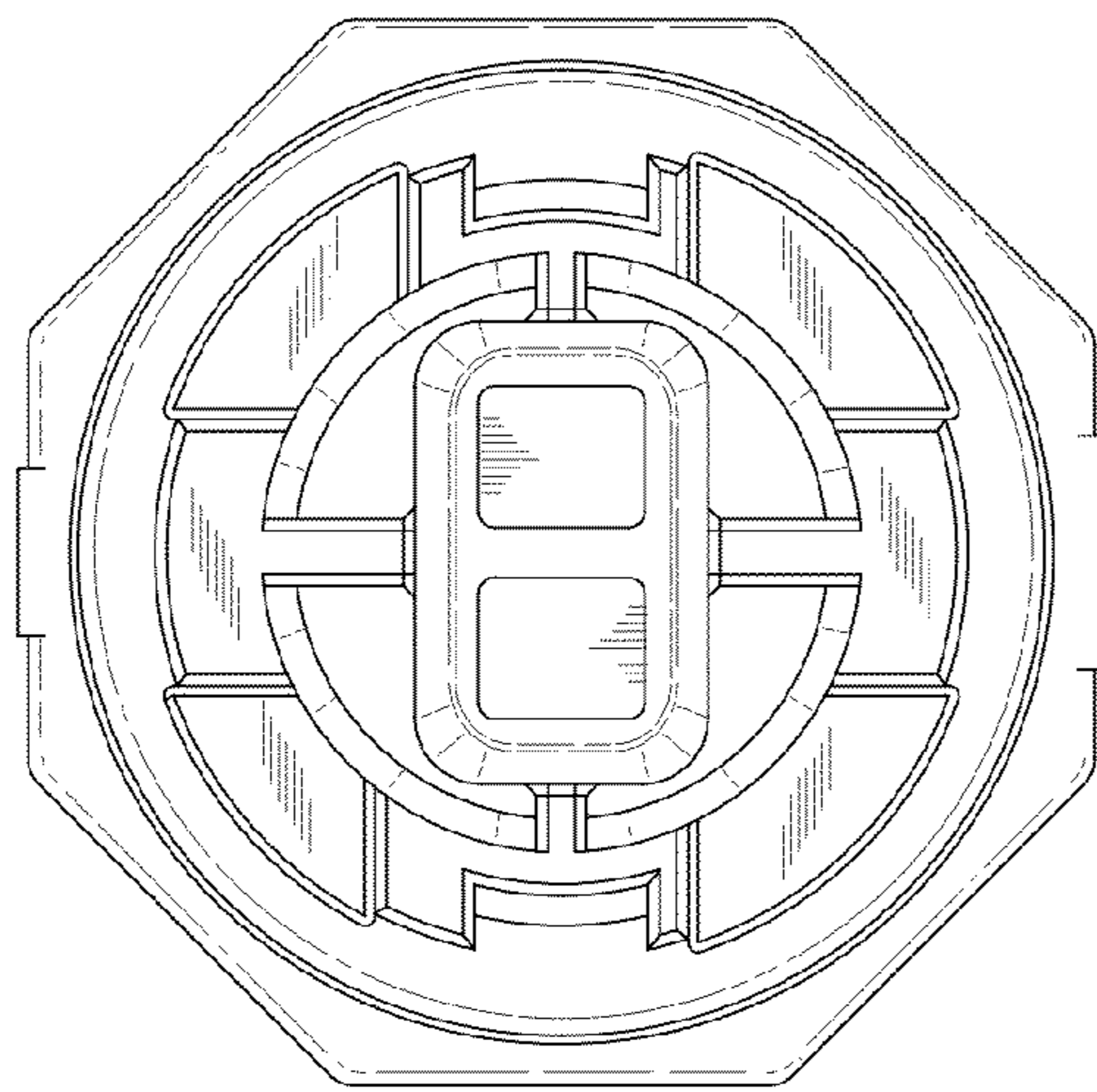


FIG.4

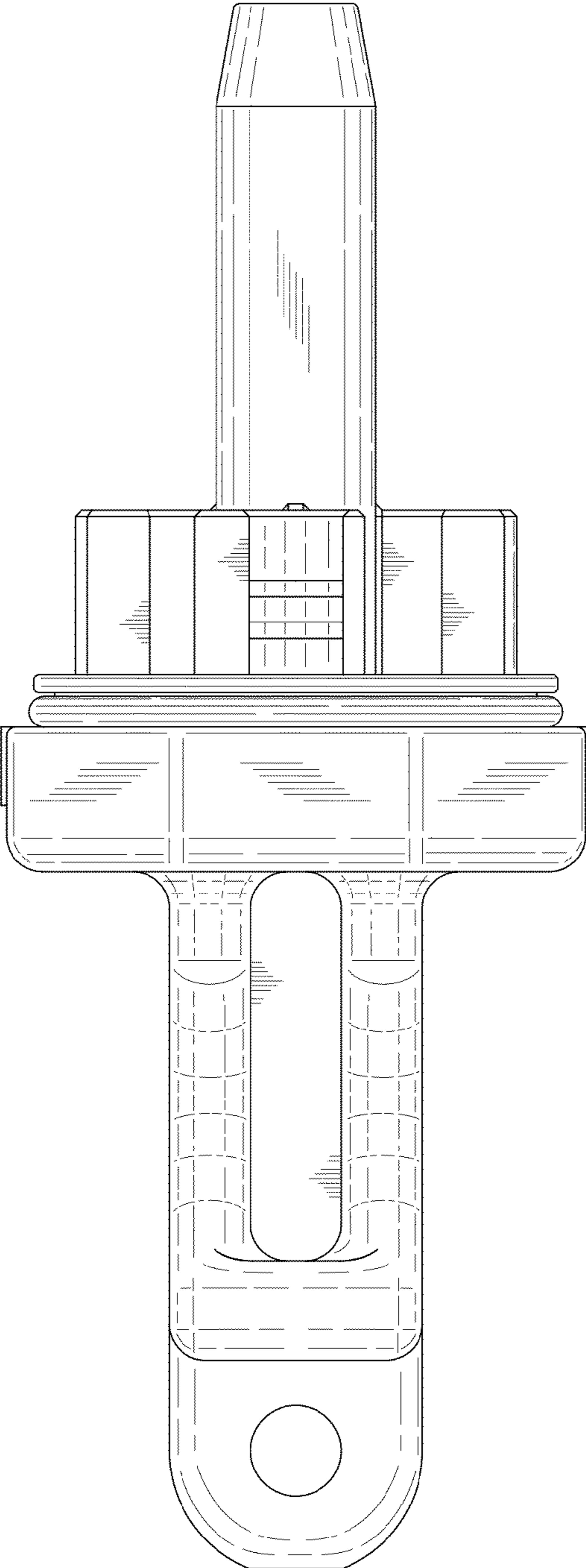


FIG. 5

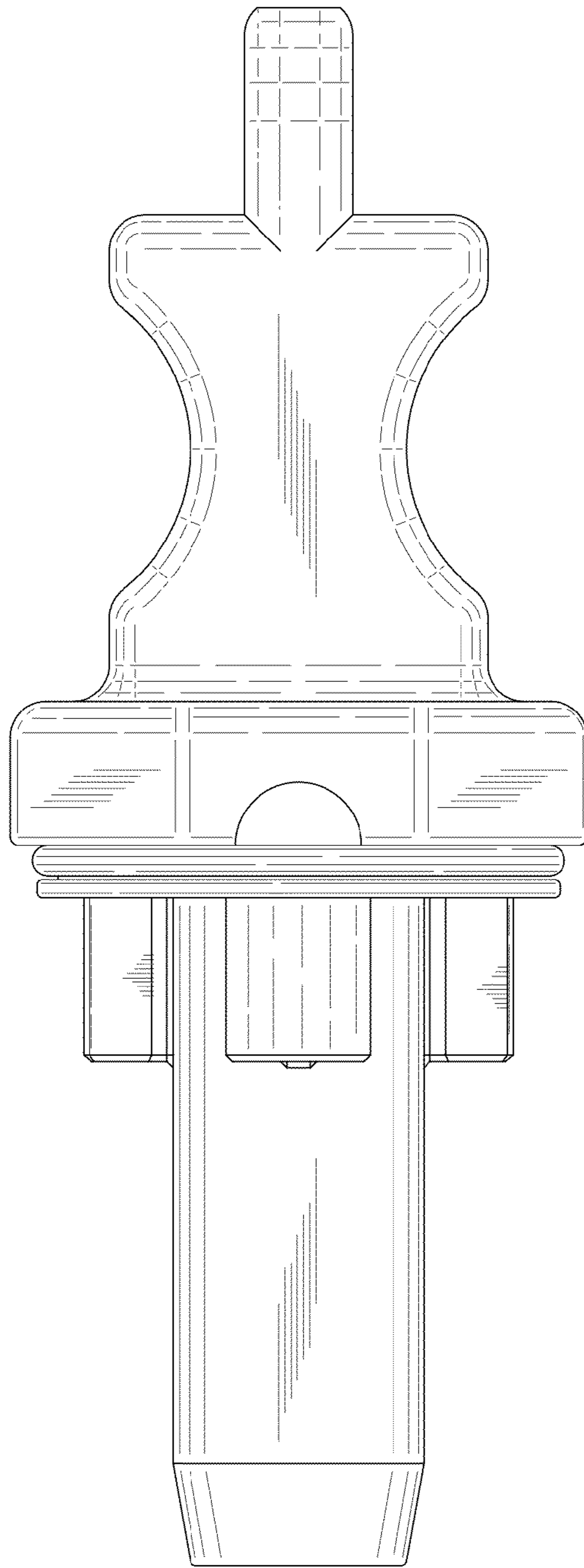


FIG. 6

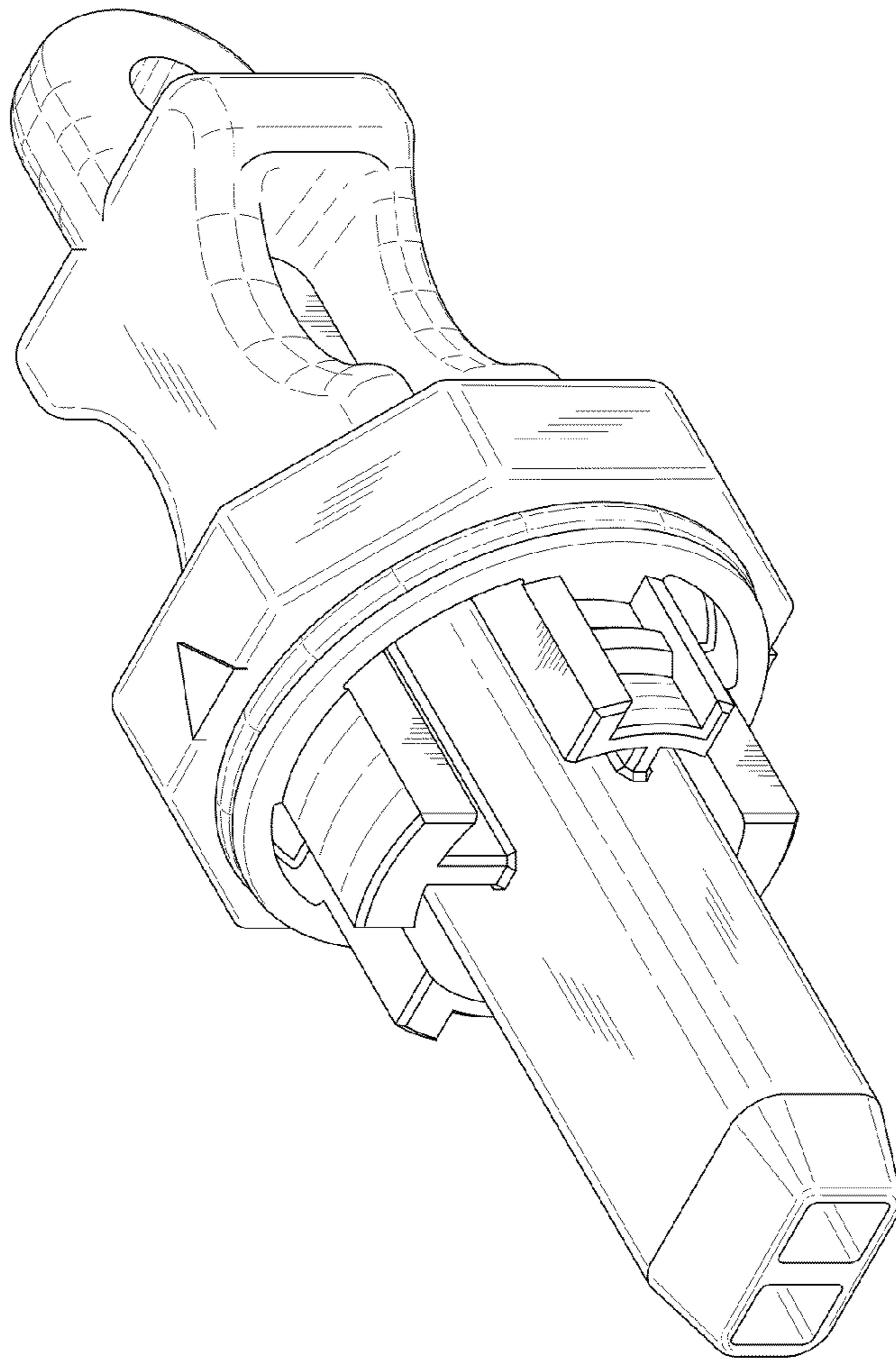


FIG.7

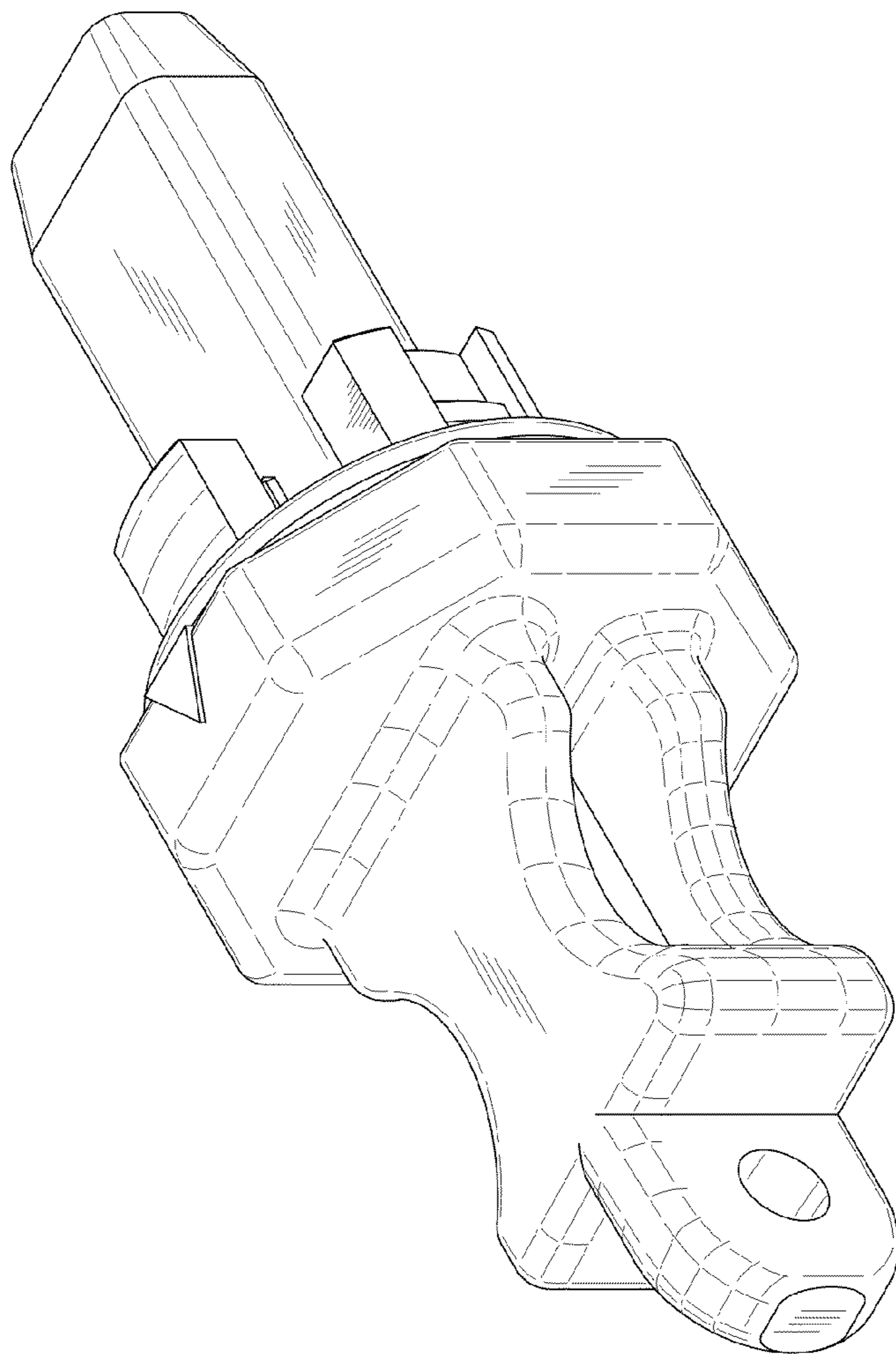


FIG.8

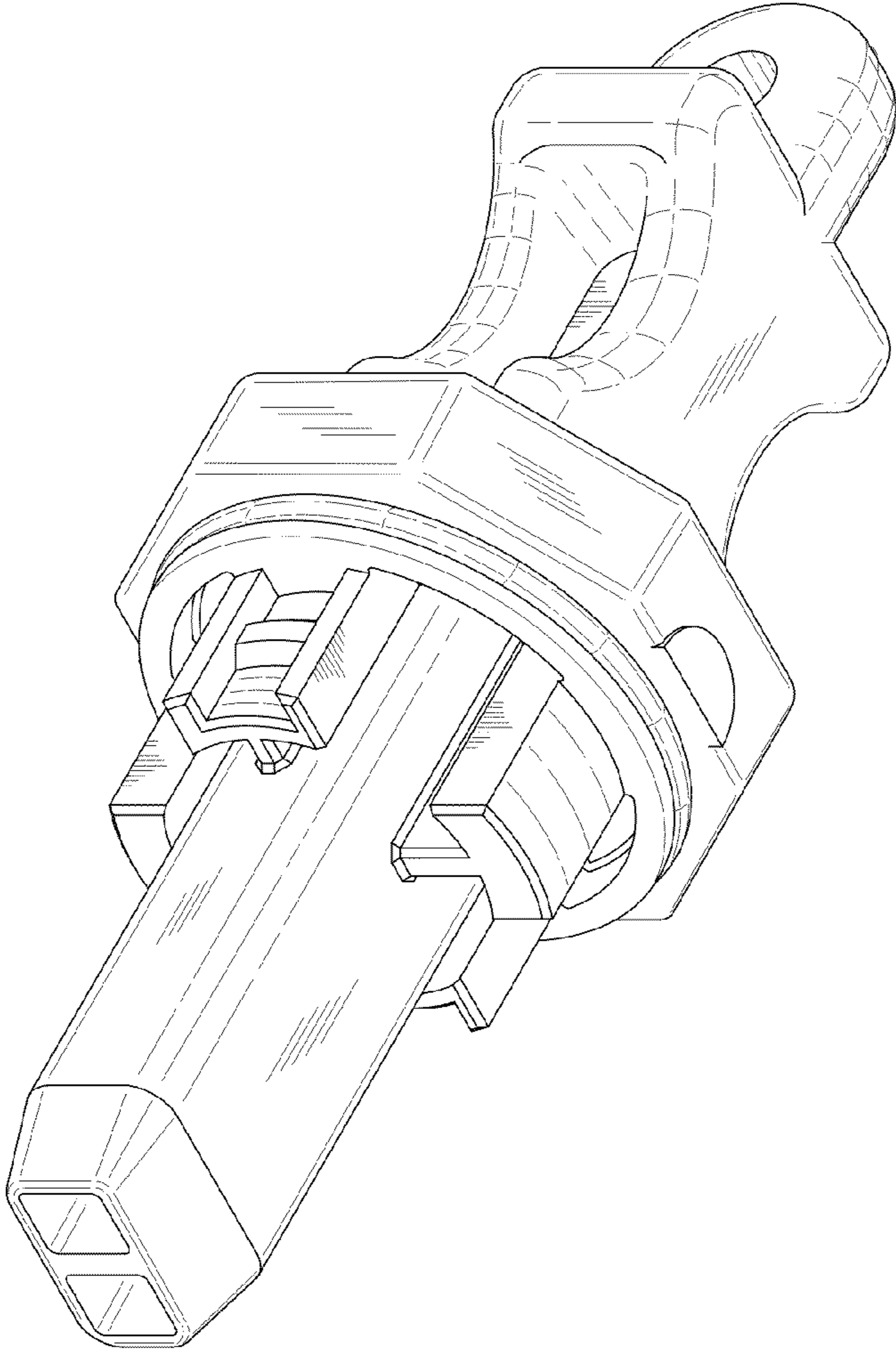


FIG.9

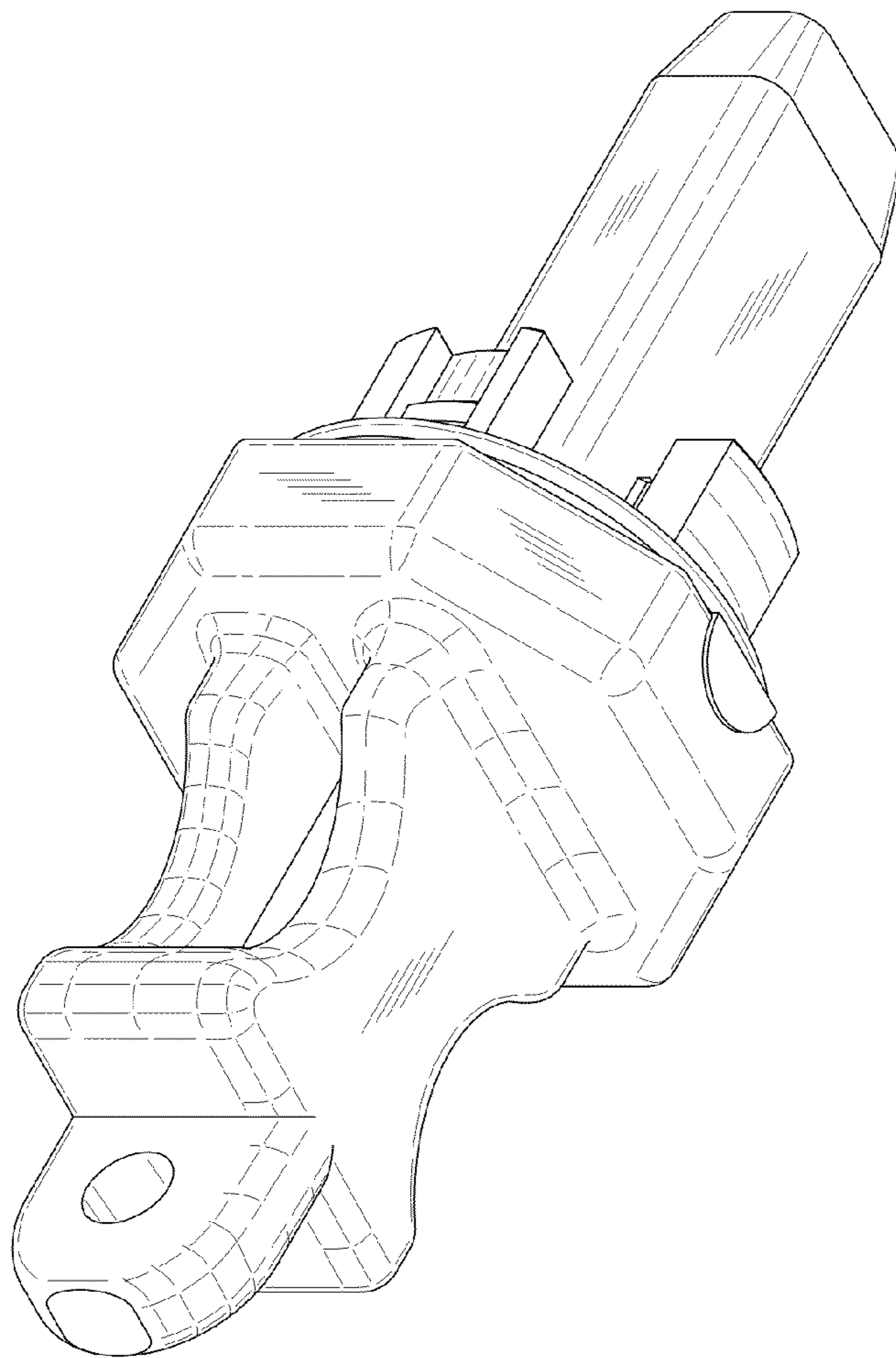


FIG.10