



US00D747630S

(12) **United States Design Patent**
Goodman et al.

(10) **Patent No.:** **US D747,630 S**
(45) **Date of Patent:** **** Jan. 19, 2016**

- (54) **KITCHEN ORGANIZER**
- (71) Applicant: **Spectrum Diversified Designs, Inc.**,
Streetsboro, OH (US)
- (72) Inventors: **Sheldon H. Goodman**, Solon, OH (US);
Phaysouk Xayoiphonh, Akron, OH
(US); **Jennifer K. Case**, Middleburg
Heights, OH (US)
- (73) Assignee: **Spectrum Diversified Designs, LLC**,
Streetsboro, OH (US)

5,207,334 A *	5/1993	Lear	A47J 47/16 211/184
D582,709 S	12/2008	Goodman et al.		
D588,378 S *	3/2009	Goodman	D7/704
D594,286 S	6/2009	Goodman et al.		
D602,746 S	10/2009	Goodman et al.		
D616,254 S	5/2010	Goodman et al.		
D616,255 S	5/2010	Goodman et al.		
D639,613 S *	6/2011	Goodman	D19/90
D729,021 S *	5/2015	Goodman	D7/704
2003/0213759 A1 *	11/2003	Compagnucci	A47L 19/04 211/41.11
2008/0314846 A1 *	12/2008	Klein	A47J 47/16 211/41.11

(**) Term: **14 Years**

* cited by examiner

(21) Appl. No.: **29/494,722**

Primary Examiner — Terry Wallace

(22) Filed: **Jun. 24, 2014**

(74) *Attorney, Agent, or Firm* — Benesch, Friedlander,
Coplan & Aronoff, LLP

(51) **LOC (10) Cl.** **07-99**

(52) **U.S. Cl.**
USPC **D7/601; D7/704**

(57) **CLAIM**

What is claimed is the ornamental design for a kitchen organizer, as shown and described.

(58) **Field of Classification Search**
USPC D7/704, 601, 409; D6/566, 675.5, 407,
D6/678.4, 682.6, 677.5; D32/55; D19/90,
D19/86, 75; 211/87.01, 41.11, 106, 119,
211/184, 11, 41.1–41.4, 70.7, 70.01, 40, 74,
211/85.25; 248/316.5, 176.2, 572
CPC A47J 36/12; A47J 47/16; A47F 5/0884
See application file for complete search history.

DESCRIPTION

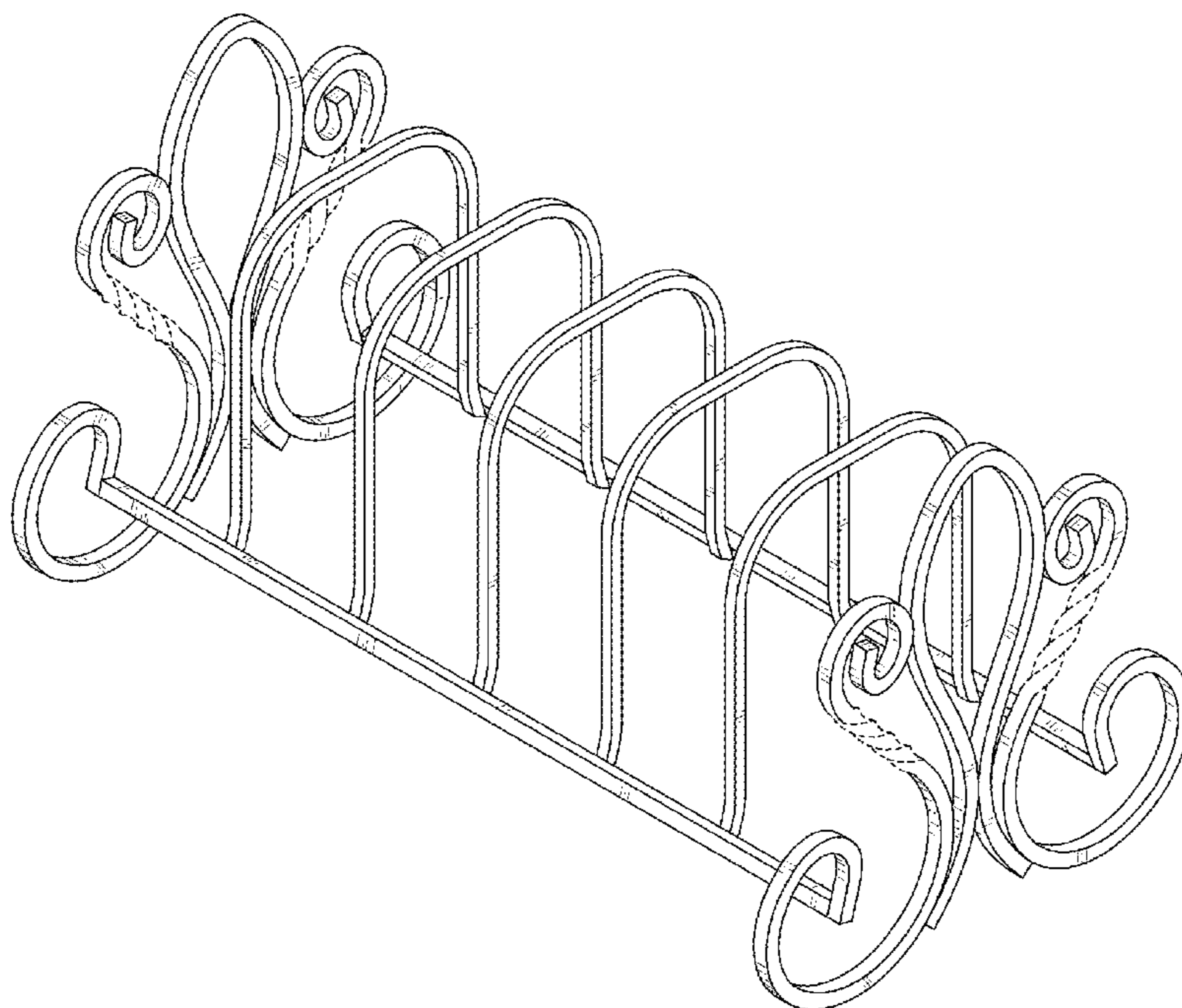
FIG. 1 is a perspective view of an kitchen organizer showing a new design;
FIG. 2 is a side view of the kitchen organizer of FIG. 1;
FIG. 3 is a front view of the kitchen organizer of FIG. 1;
FIG. 4 is a top view of the kitchen organizer of FIG. 1; and,
FIG. 5 is a bottom view of the kitchen organizer of FIG. 1.
The components of the display shown in broken lines illustrate portions of the kitchen organizer form no part of the claimed design.

(56) **References Cited**

U.S. PATENT DOCUMENTS

3,465,892 A *	9/1969	Taylor	A47J 47/16 211/41.11
D297,489 S *	9/1988	Chap	D6/675.5

1 Claim, 2 Drawing Sheets



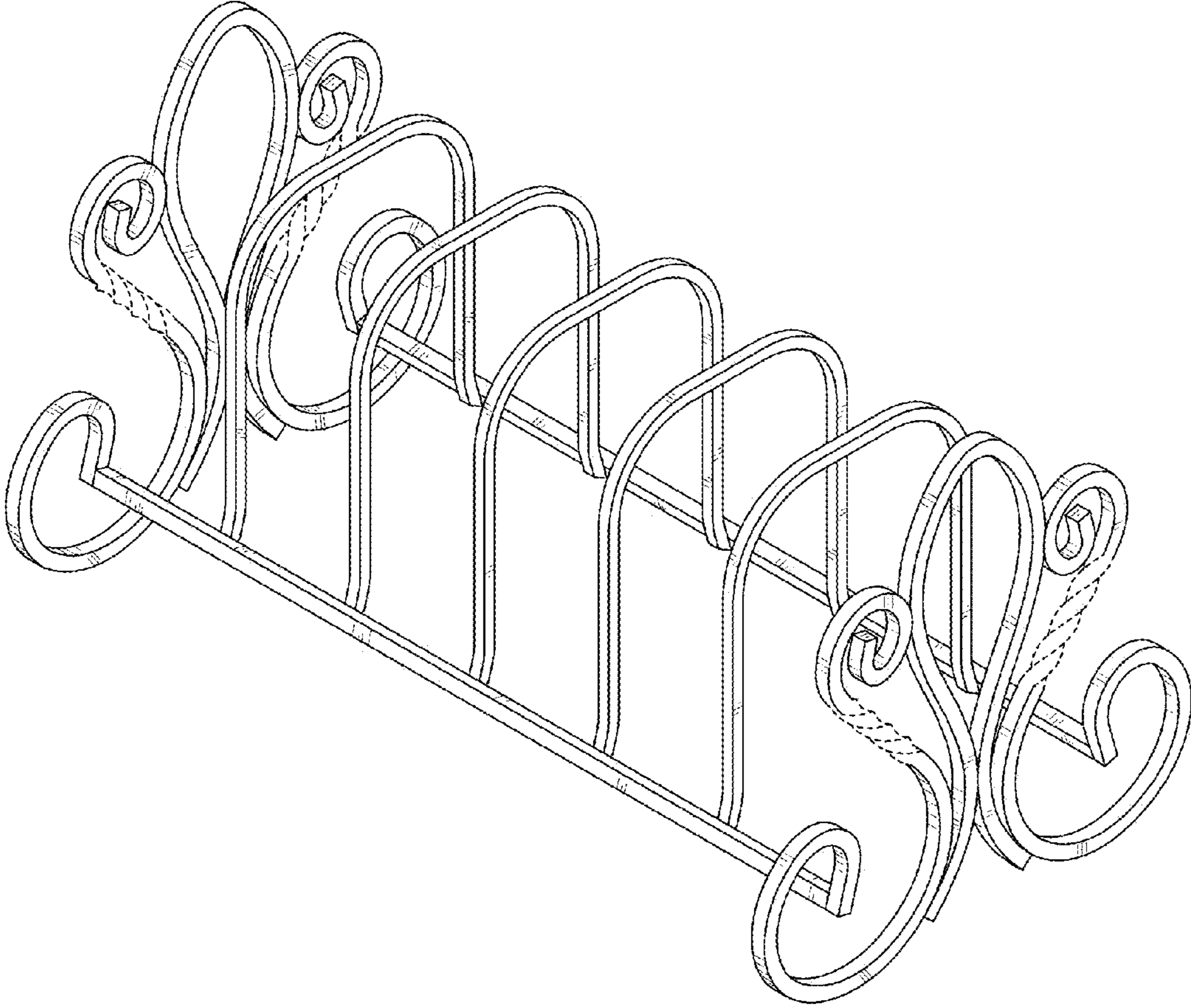


FIG. 1

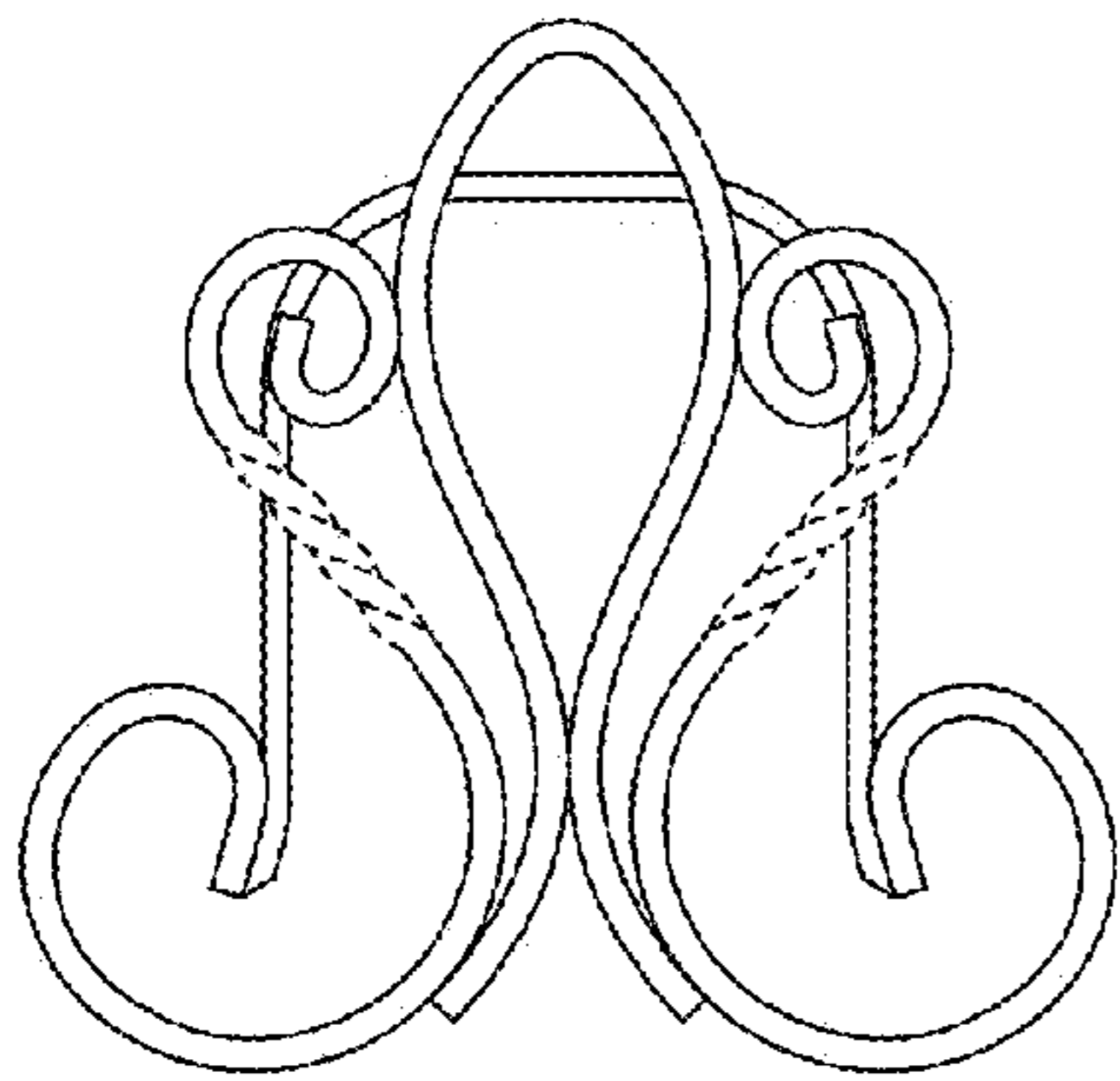


FIG. 2

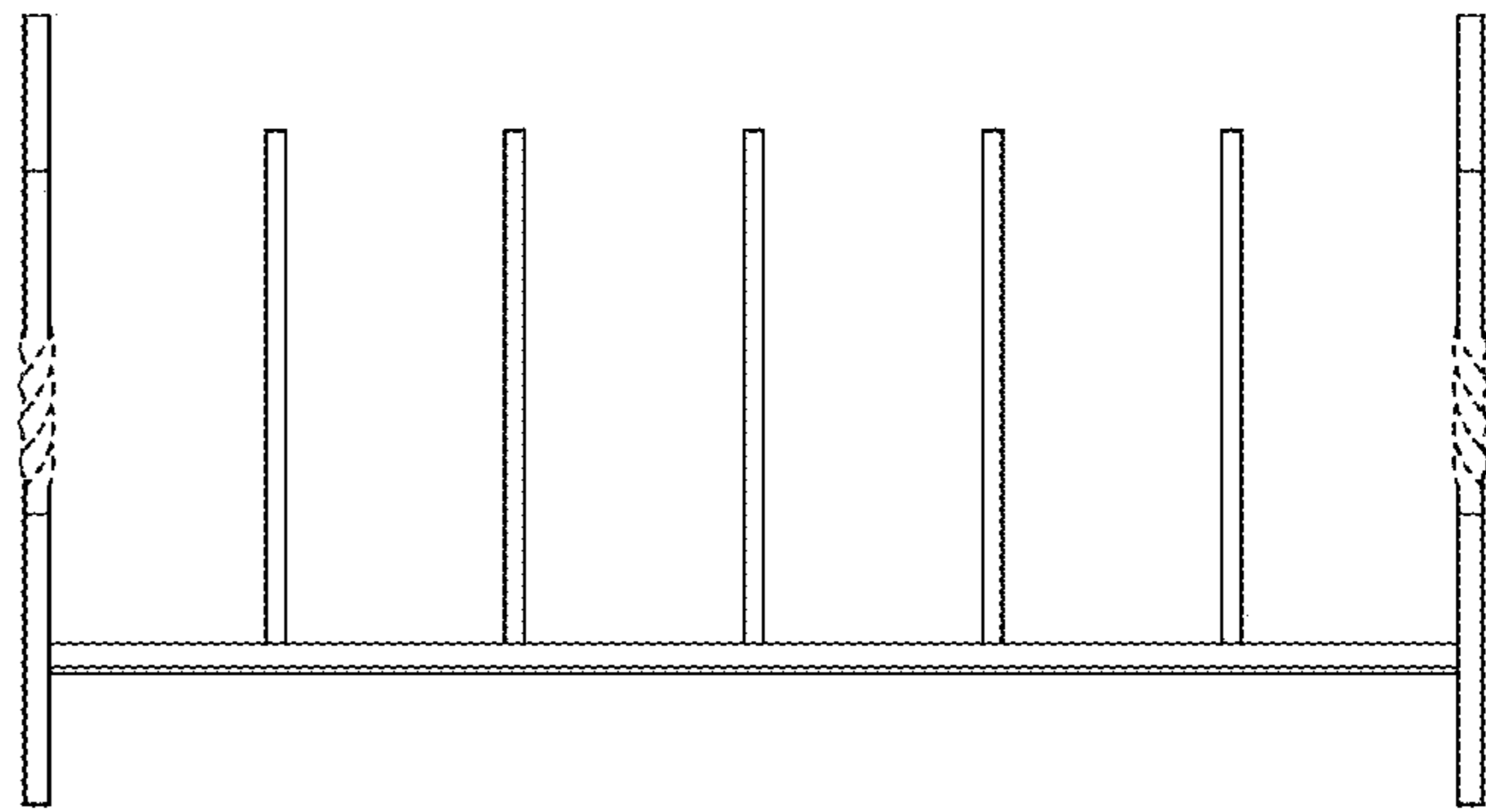


FIG. 3

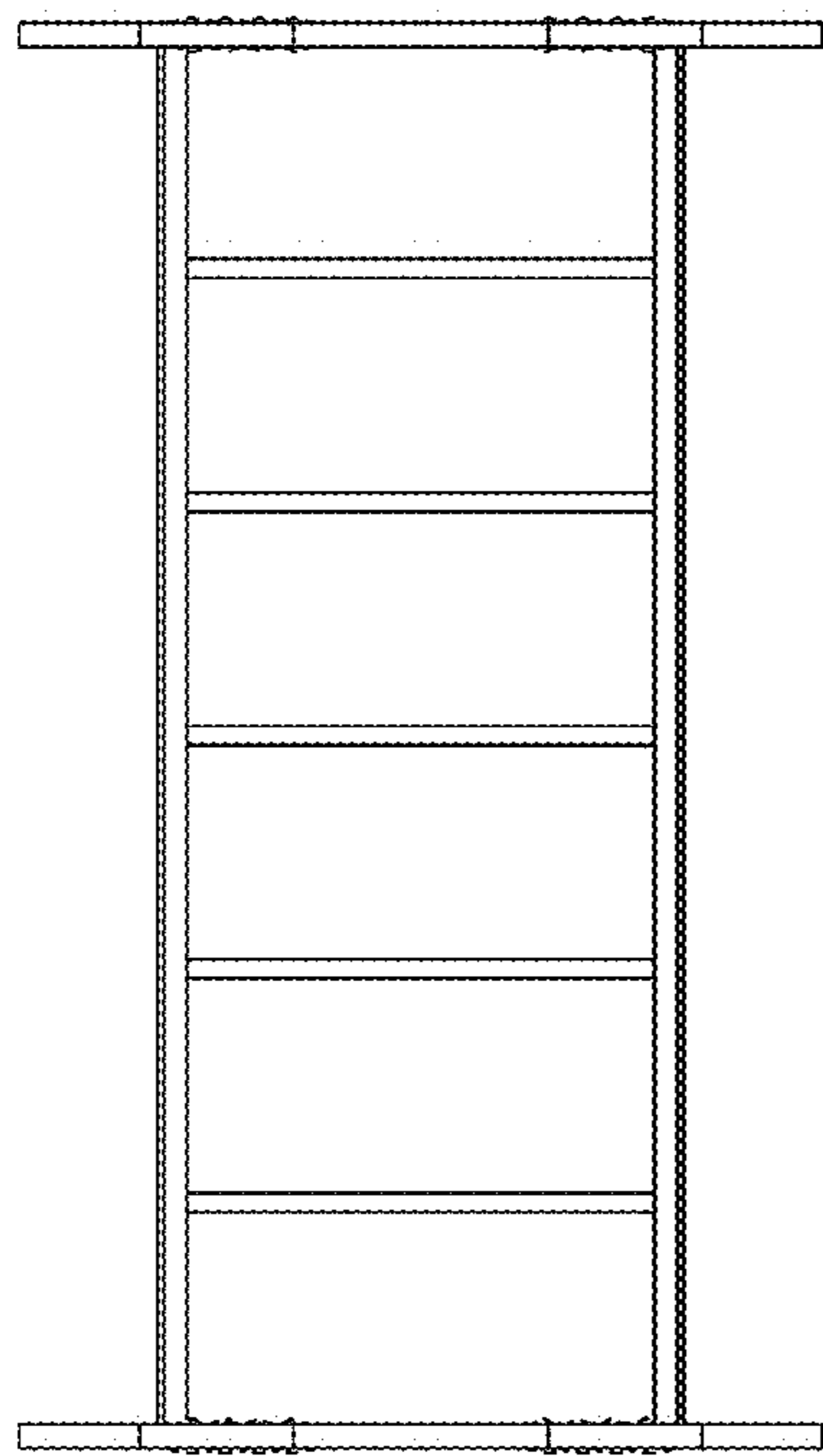


FIG. 4

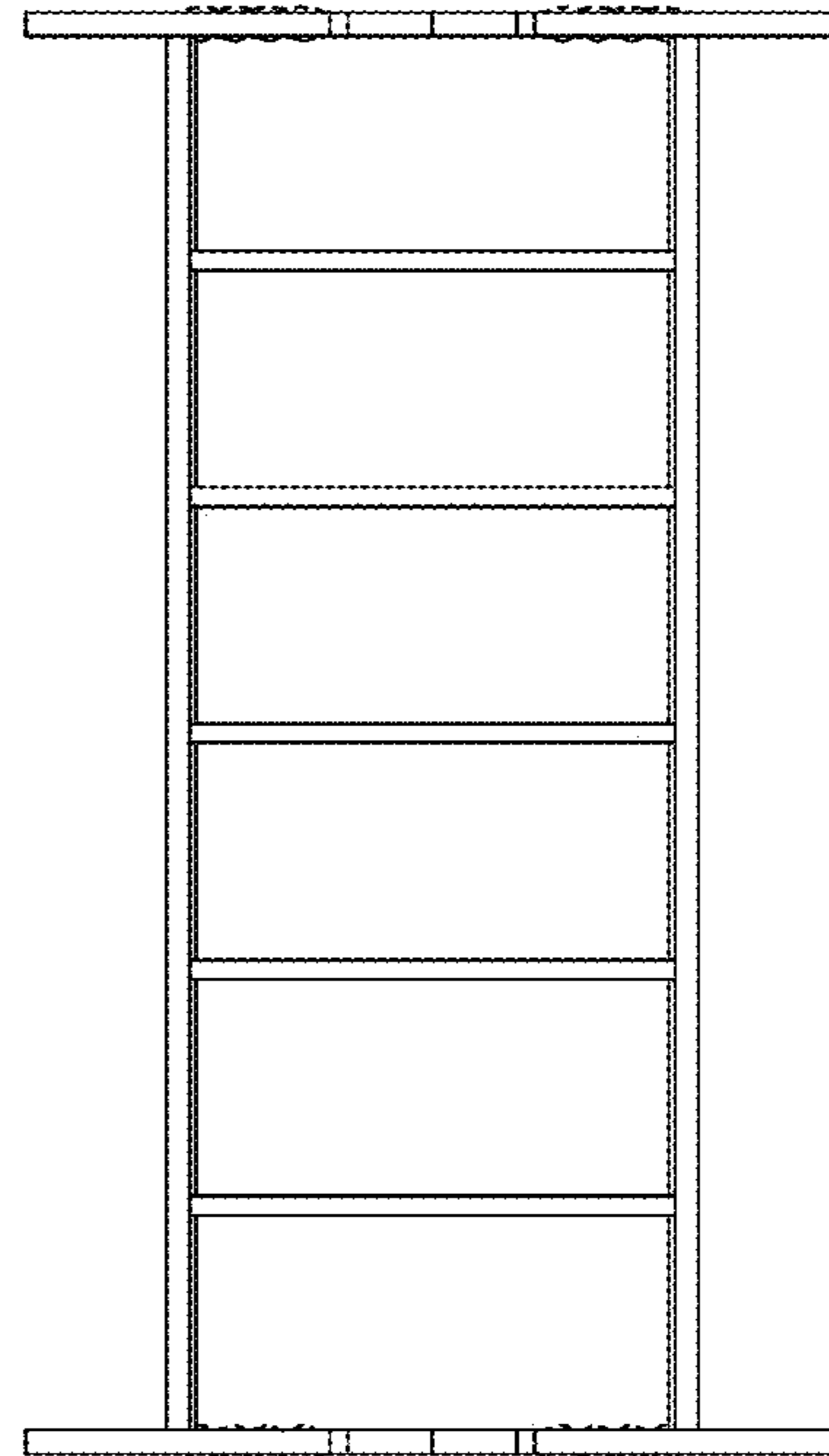


FIG. 5