

US00D747629S

(12) **United States Design Patent**
Goodman et al.

(10) **Patent No.:** **US D747,629 S**
(45) **Date of Patent:** **** Jan. 19, 2016**

(54) **SPICE RACK**

(71) Applicant: **Spectrum Diversified Designs, Inc.**,
Streetsboro, OH (US)

(72) Inventors: **Sheldon H. Goodman**, Solon, OH (US);
Phaysouk Xayoiphonh, Akron, OH
(US); **Jennifer Case**, Middleburg
Heights, OH (US)

(73) Assignee: **Spectrum Diversified Designs, LLC**,
Streetsboro, OH (US)

(**) Term: **14 Years**

(21) Appl. No.: **29/492,365**

(22) Filed: **May 30, 2014**

(51) **LOC (10) Cl.** **07-06**

(52) **U.S. Cl.**
USPC **D7/600.4**

(58) **Field of Classification Search**
USPC D7/600.1-600.4, 704; D6/675, 675.2,
D6/675.1, 675.3, 405; D19/65, 86, 92;
248/175; 211/13.1, 134, 153, 85.31,
211/181.1
CPC A47F 5/01; A47F 5/13; A47F 7/00;
A47B 73/002; A47B 81/00; A47J 47/16
See application file for complete search history.

(56) **References Cited**

U.S. PATENT DOCUMENTS

D319,356 S * 8/1991 Vukelich, Sr. D6/405
D351,072 S * 10/1994 Emalfarb D6/405

D423,820 S * 5/2000 Walters-Dowding D6/675.2
D587,040 S * 2/2009 Goodman D19/92
D587,492 S * 3/2009 Gusdorf D6/675.5
D620,729 S * 8/2010 Snider D6/675.2
D716,590 S * 11/2014 Hsu D6/675.3
D724,357 S * 3/2015 Lim D6/675.1

OTHER PUBLICATIONS

InterDesign USA What's Next Now, www.interdesignusa.com/kitchen/pantryware/york-lyra/ pp. 1-5 (2015).

* cited by examiner

Primary Examiner — Terry Wallace

(74) *Attorney, Agent, or Firm* — Benesch Friedlander
Coplan & Aronoff LLP

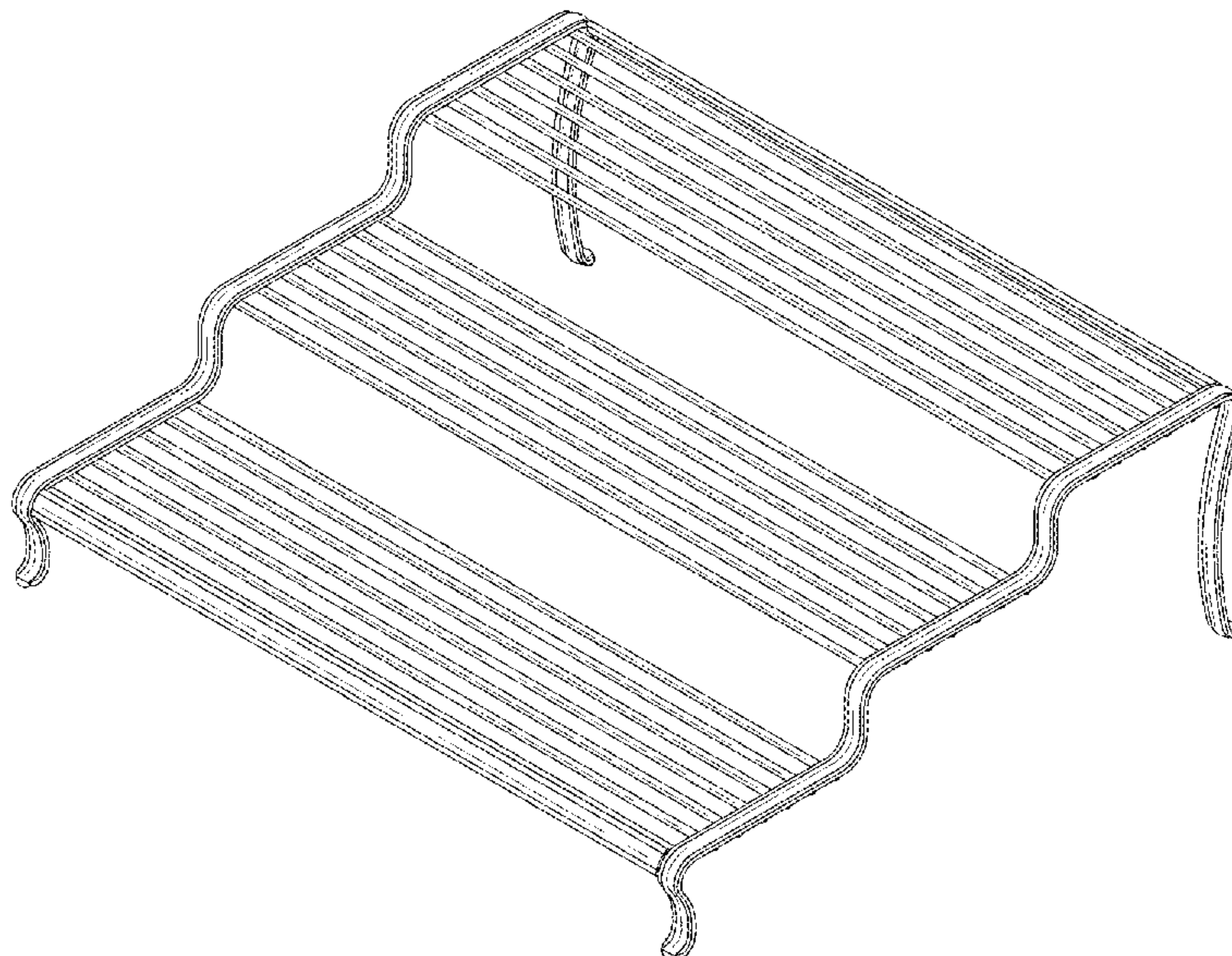
(57) **CLAIM**

What is claimed is the ornamental design for a spice rack, as shown and described.

DESCRIPTION

FIG. 1 is a perspective view of a spice rack showing a new design;
FIG. 2 is a top view of the spice rack of FIG. 1;
FIG. 3 is a front view of the spice rack of FIG. 1;
FIG. 4 is a side view of the spice rack of FIG. 1;
FIG. 5 is a bottom view of the spice rack of FIG. 1;
FIG. 6 is a cross sectional view along line 6-6 of FIG. 4; and,
FIG. 7 is a perspective view of another embodiment of the spice rack of FIG. 1.
The components of the display shown in broken lines illustrate portions of the spice rack which form no part of the claimed design.

1 Claim, 3 Drawing Sheets



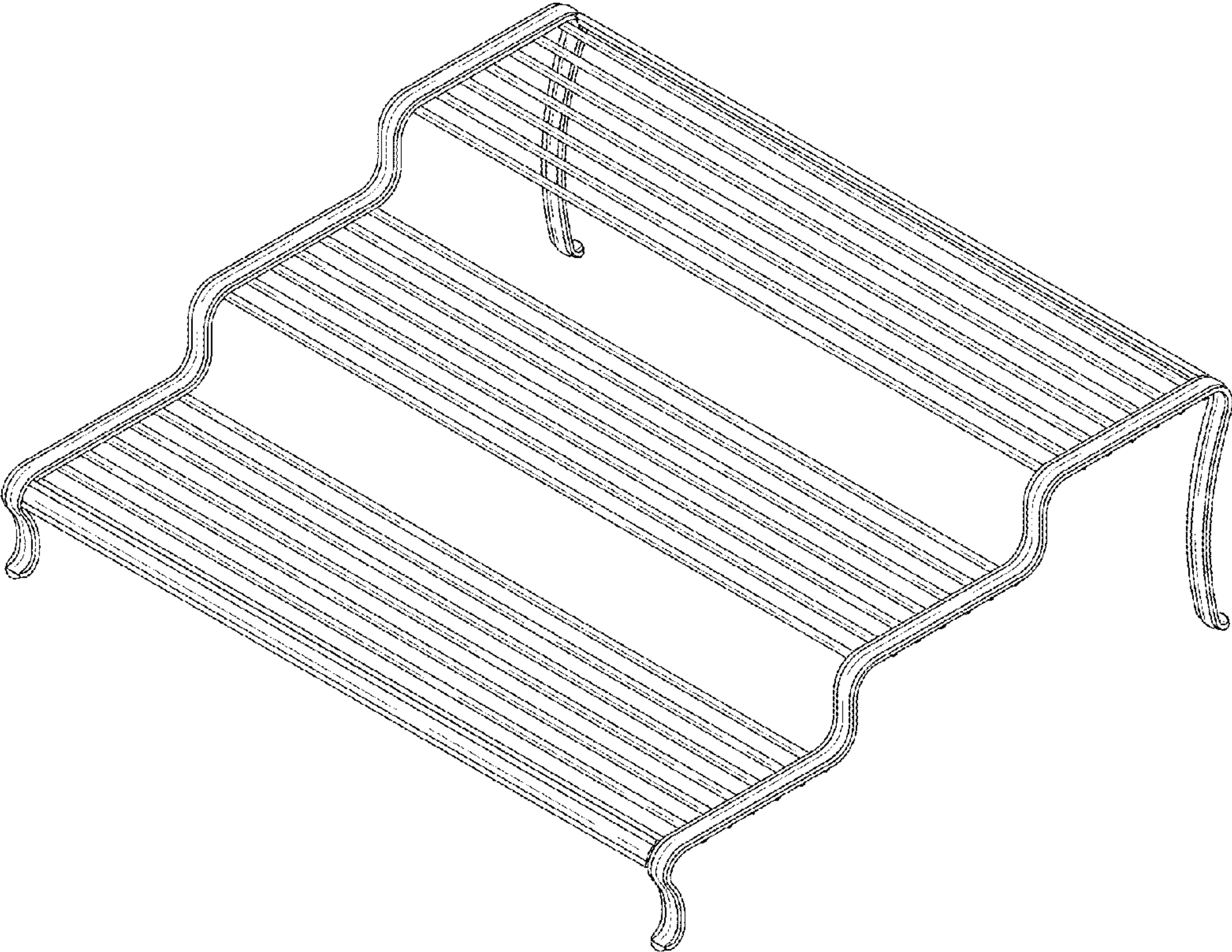


FIG 1

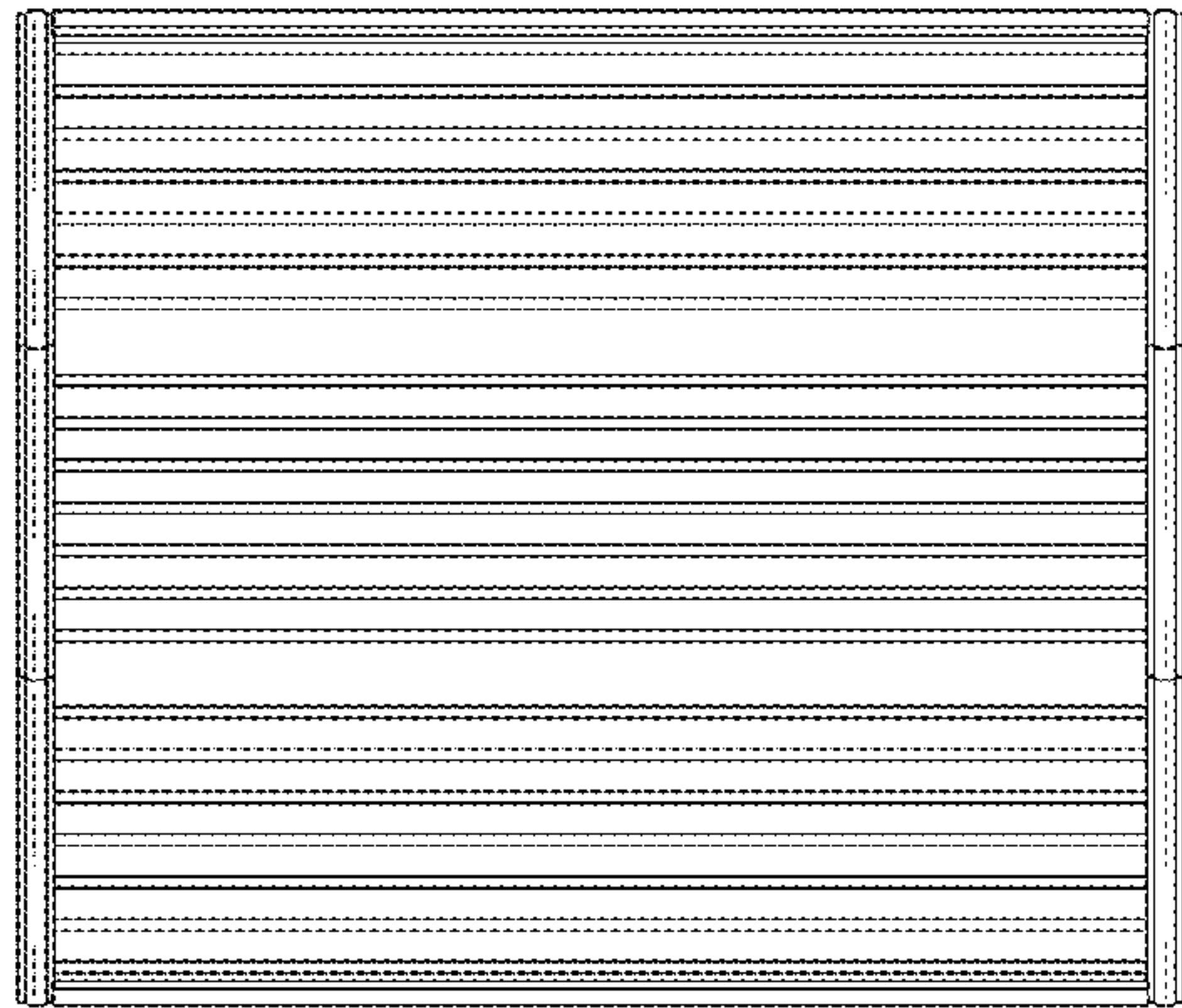


FIG 2

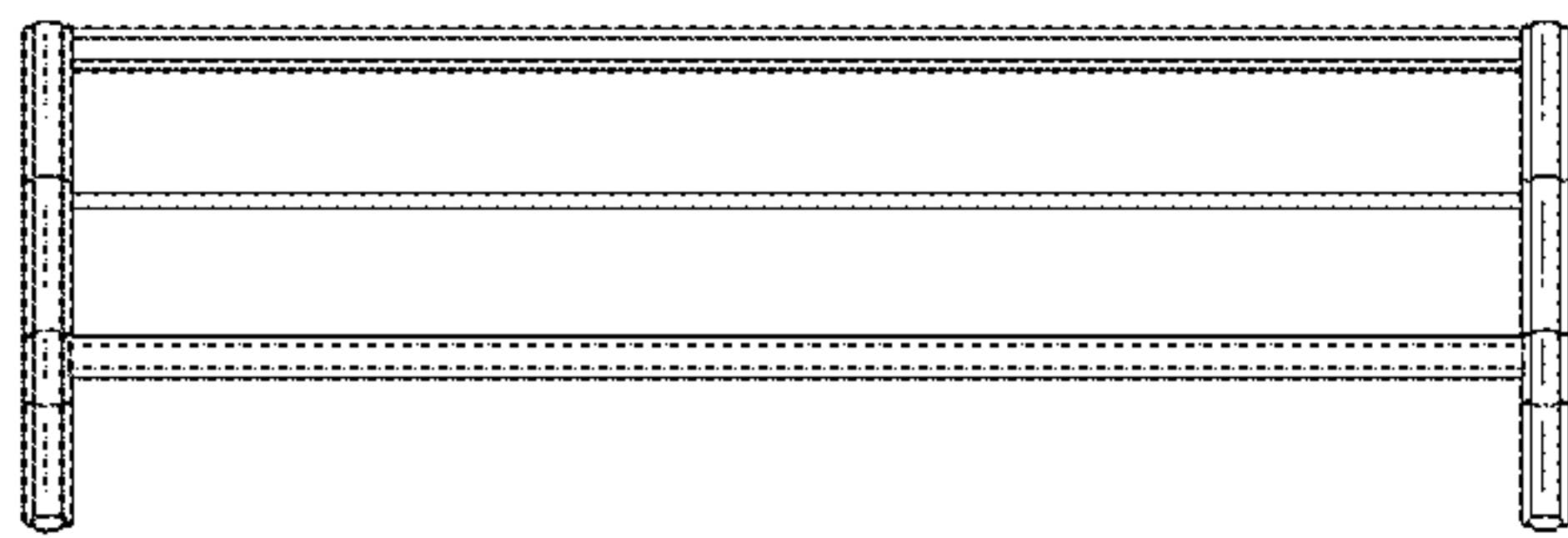


FIG 3

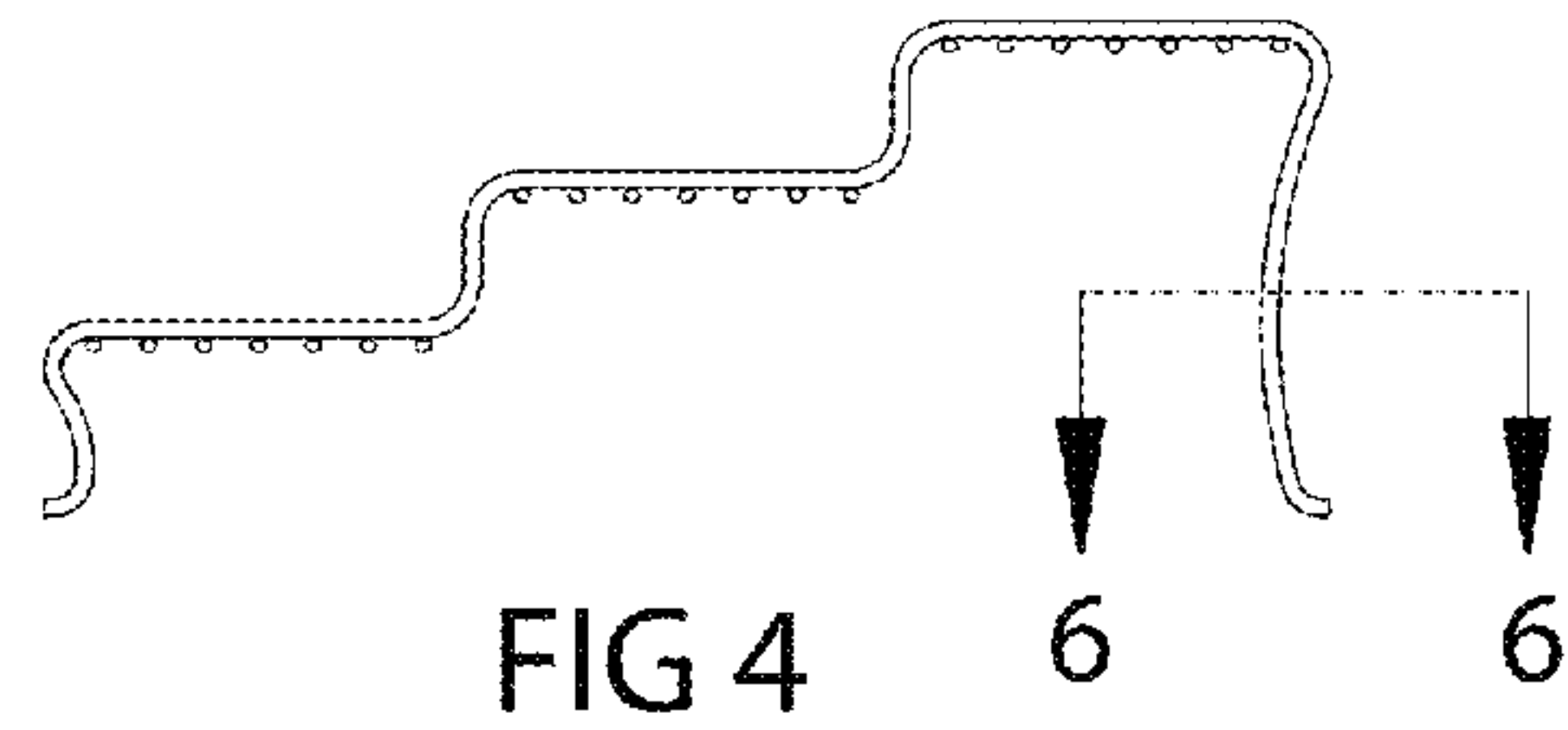


FIG 4



FIG 5



FIG 6

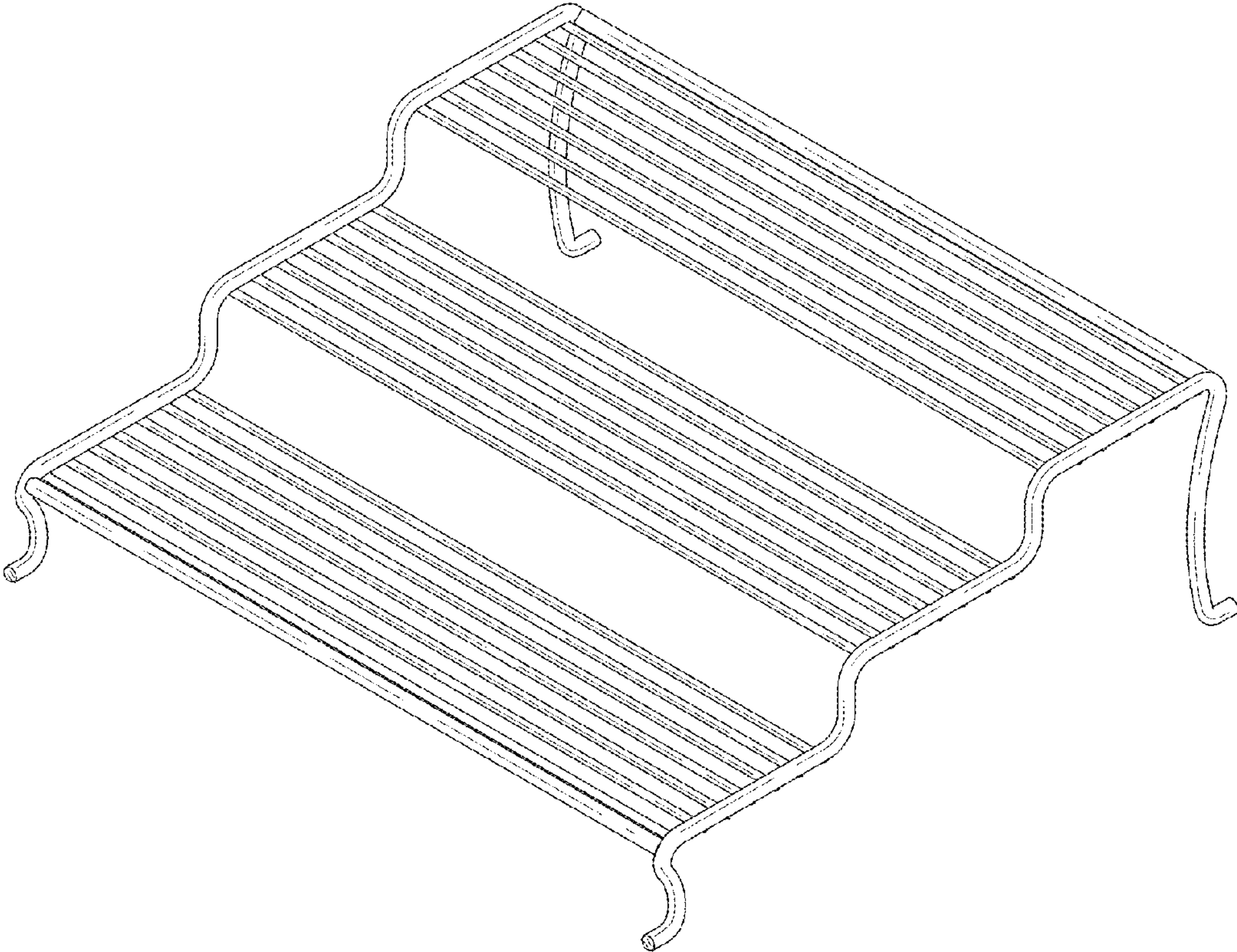


FIG 7