



US00D747626S

(12) **United States Design Patent**  
**Morris, II et al.**

(10) **Patent No.:** **US D747,626 S**  
(45) **Date of Patent:** **\*\* Jan. 19, 2016**

(54) **DRINKING VESSEL WITH HANDLE**

(75) Inventors: **Thomas G. Morris, II**, Hurst, TX (US);  
**Jack R. Rigby**, Richardson, TX (US)

(73) Assignee: **NEW THERMO-SERV LTD**, Dallas,  
TX (US)

(\*\*) Term: **14 Years**

(21) Appl. No.: **29/425,498**

(22) Filed: **Jun. 22, 2012**

(51) **LOC (10) Cl.** ..... **07-01**

(52) **U.S. Cl.**  
USPC ..... **D7/536; D7/533**

(58) **Field of Classification Search**  
USPC ..... D7/509, 510, 523, 529, 532, 392.1,  
D7/536; D9/504, 529, 538, 447  
CPC ..... B65D 1/265; B65D 3/22; B65D 81/38;  
A45F 3/16; A47G 19/2272; A47G 19/2288  
See application file for complete search history.

(56) **References Cited**

U.S. PATENT DOCUMENTS

2,895,636	A *	7/1959	Martin	.....	220/574
D287,919	S	1/1987	Clements		
D289,484	S	4/1987	Forquer et al.		
D369,277	S *	4/1996	Lin	.....	D7/529
D376,731	S *	12/1996	Lin	.....	D7/536
D384,246	S *	9/1997	McKnight	.....	D7/509
D402,556	S	12/1998	Frye		
5,894,948	A *	4/1999	Yeh	.....	215/12.1
D439,803	S	4/2001	Lin		
D446,687	S	8/2001	Furman et al.		
6,405,892	B1 *	6/2002	Volan	.....	220/592.17
D489,940	S	5/2004	Gluck		
D528,365	S *	9/2006	Hsu	.....	D7/529
D533,748	S	12/2006	Bresler		
D548,525	S	8/2007	Gibbons et al.		
D554,941	S *	11/2007	Mansfield	.....	D7/396.2
D556,513	S	12/2007	Yelland		

D557,563	S *	12/2007	Bodum	.....	D7/536
D557,564	S *	12/2007	Bodum	.....	D7/536
D565,901	S	4/2008	Edelstein et al.		
D567,590	S *	4/2008	Bodum	.....	D7/536
D568,685	S	5/2008	Bodum		

(Continued)

**OTHER PUBLICATIONS**

U.S. Appl. No. 29/425,482, filed Jun. 22, 2012 and entitled Drinking Vessel, inventor(s) Thomas G. Morris et al.

(Continued)

*Primary Examiner* — Ian Simmons

*Assistant Examiner* — Rashida C McCoy

(74) *Attorney, Agent, or Firm* — Patent Capital Group

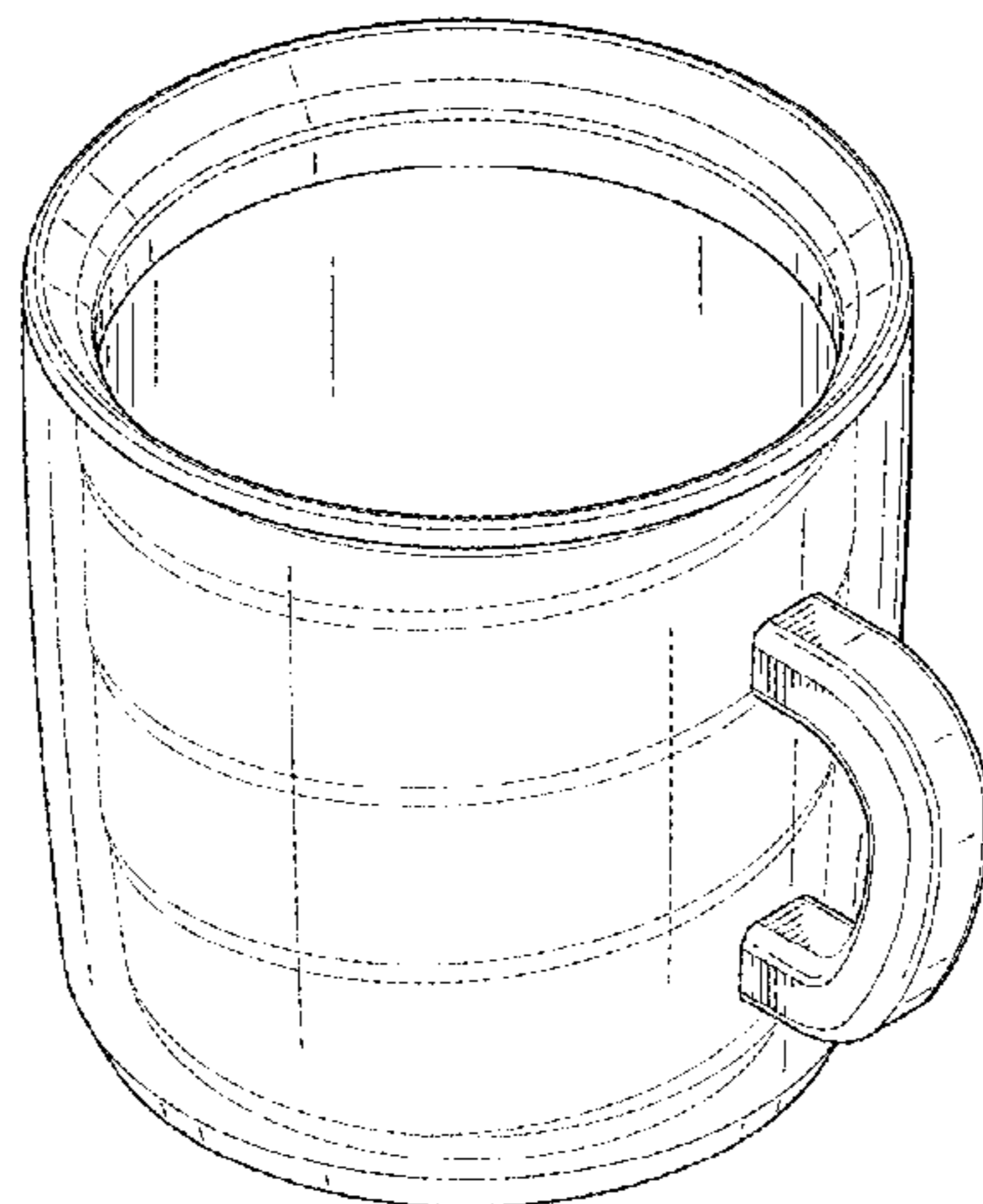
(57) **CLAIM**

The ornamental design for a drinking vessel with handle, as shown and described.

**DESCRIPTION**

FIG. 1 is a top perspective view showing a first embodiment of a drinking vessel with handle according to our new design; FIG. 2 is a front view thereof; FIG. 3 is a back view thereof; FIG. 4 is a side view thereof; FIG. 5 is another side view thereof; FIG. 6 is a top view thereof; FIG. 7 is a bottom view thereof; FIG. 8 is a top perspective view showing a second embodiment of a drinking vessel with handle according to our new design; FIG. 9 is a front view thereof; FIG. 10 is a back view thereof; FIG. 11 is a side view thereof; FIG. 12 is another side view thereof; FIG. 13 is a top view thereof; and, FIG. 14 is a bottom view thereof.

**1 Claim, 12 Drawing Sheets**



(56)

**References Cited**

U.S. PATENT DOCUMENTS

D569,192 S \* 5/2008 Bodum ..... D7/536  
D583,627 S 12/2008 Kortleven  
D614,448 S \* 4/2010 Cahen ..... D7/532  
8,025,169 B2 \* 9/2011 Zimmerman ..... 220/23.89  
D669,310 S 10/2012 Barreto et al.  
D674,663 S 1/2013 Cahen  
2005/0111212 A1 \* 5/2005 Diak/Ghanem ..... 362/84

OTHER PUBLICATIONS

Restriction Requirement in U.S. Appl. No. 29/425,482 mailed on Mar. 4, 2015.

U.S. Appl. No. 29/425,492, filed Jun. 22, 2015 and entitled Drinking Vessel, inventor(s) Thomas G. Morris et al.  
Restriction Requirement in U.S. Appl. No. 29/425,492 mailed on Mar. 3, 2015.

U.S. Appl. No. 29/425,495, filed Jun. 22, 2015 and entitled Drinking Vessel, inventor(s) Thomas G. Morris et al.  
Restriction Requirement in U.S. Appl. No. 29/425,492 mailed on Feb. 27, 2015.

Notice of Allowance in U.S. Appl. No. 29/425,482 mailed on Jul. 6, 2015.

Notice of Allowance in U.S. Appl. No. 29/425,492 mailed on Jul. 6, 2015.

Notice of Allowance in U.S. Appl. No. 29/425,495 mailed on Jul. 6, 2015.

\* cited by examiner

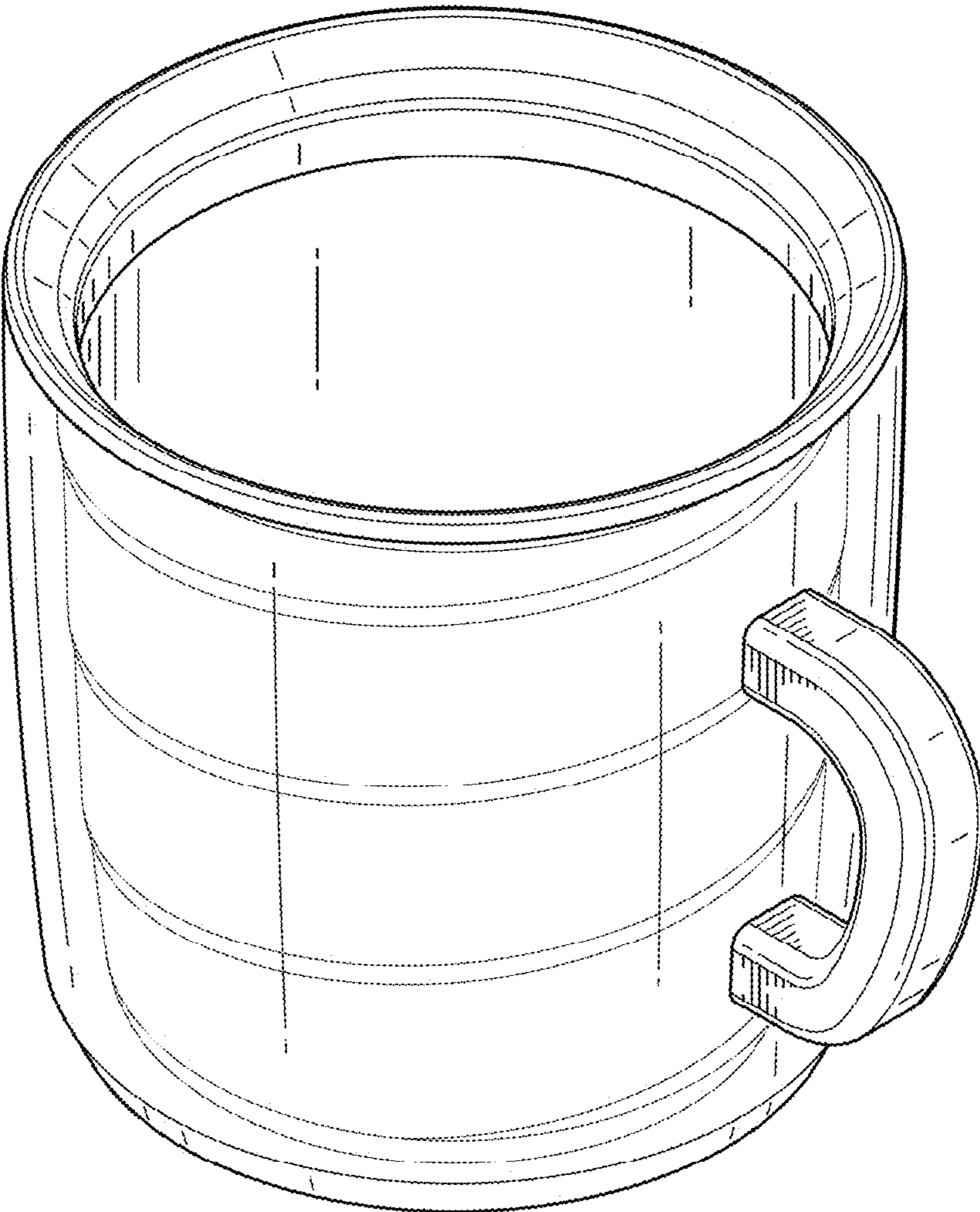


FIG. 1

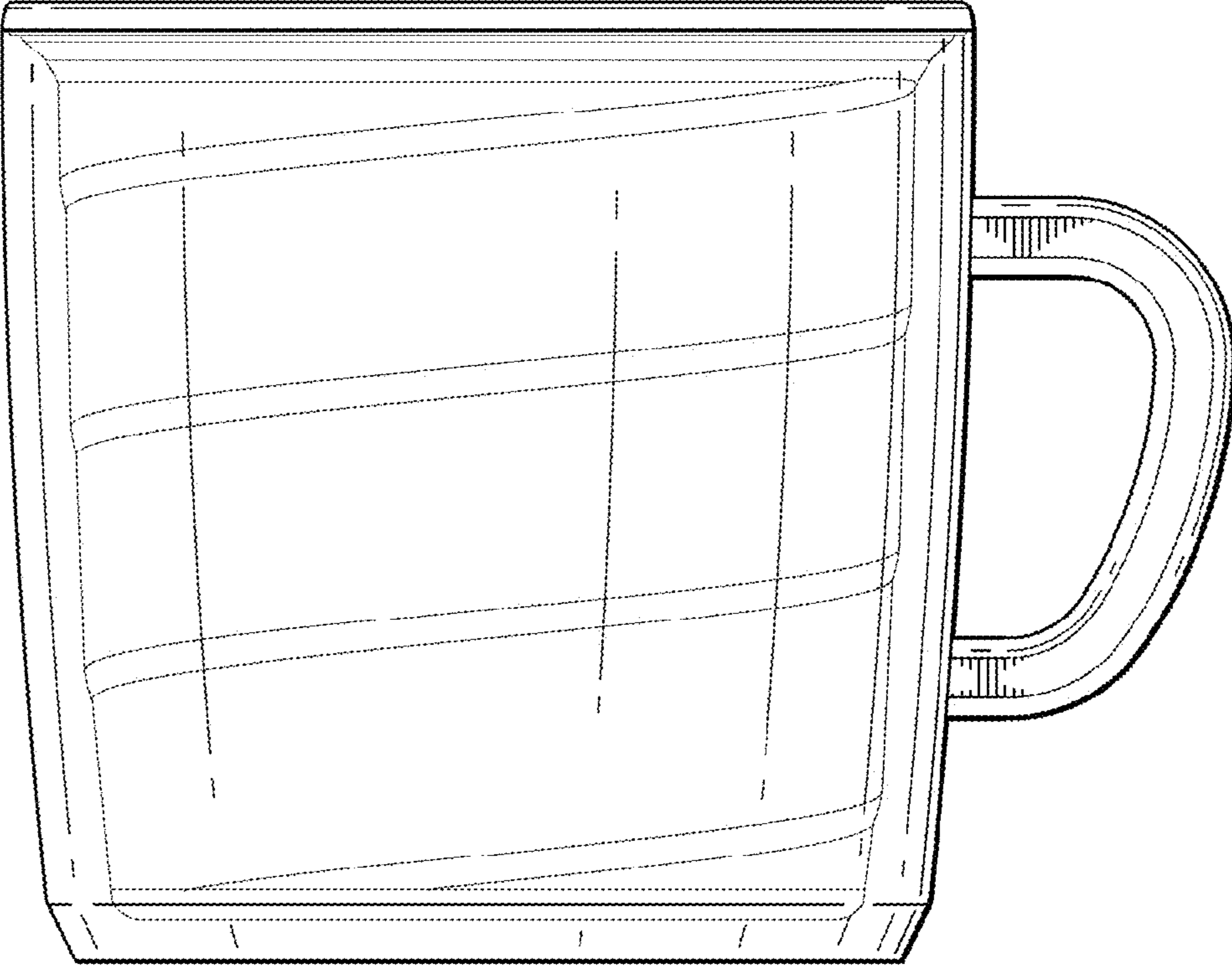


FIG. 2

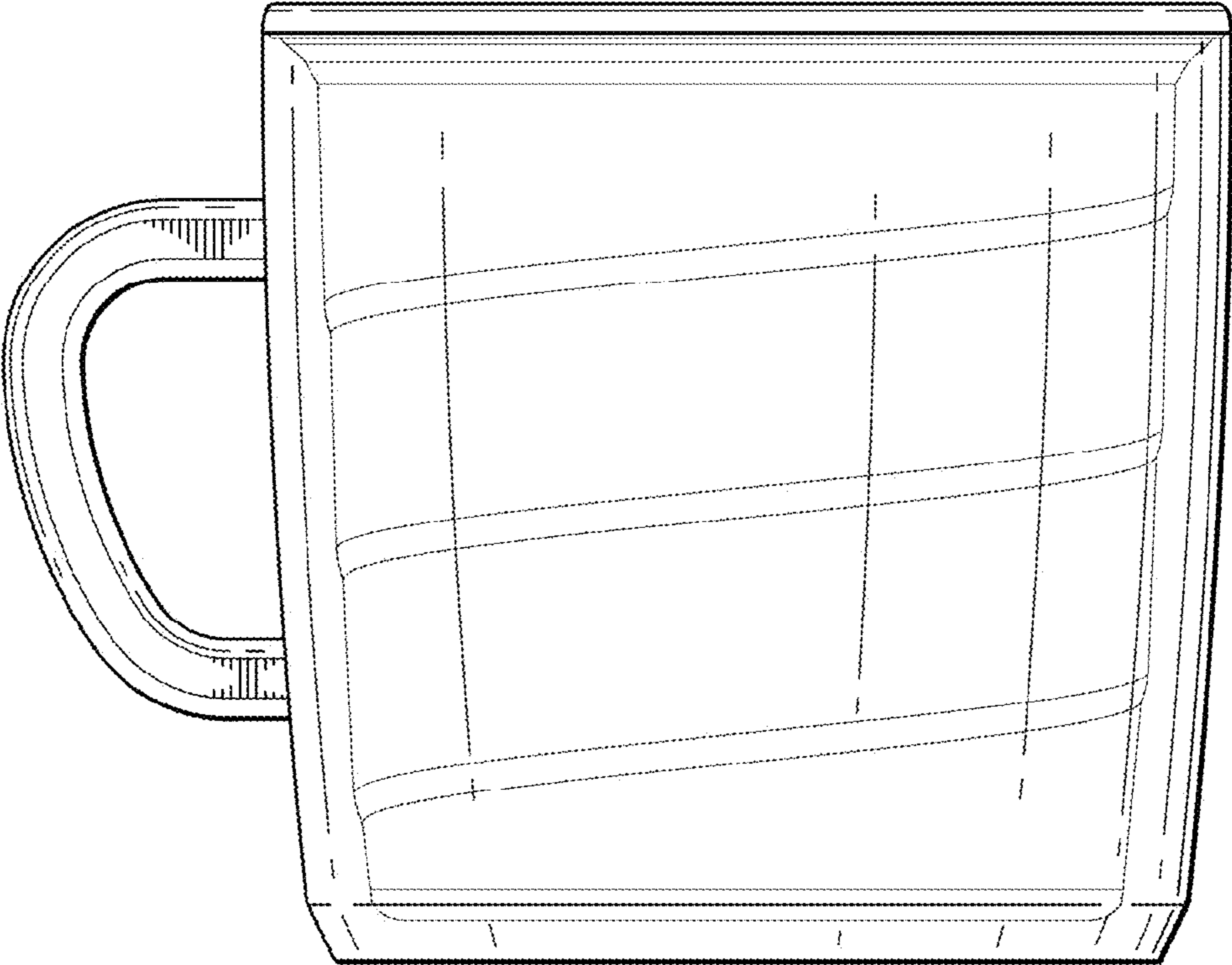


FIG. 3

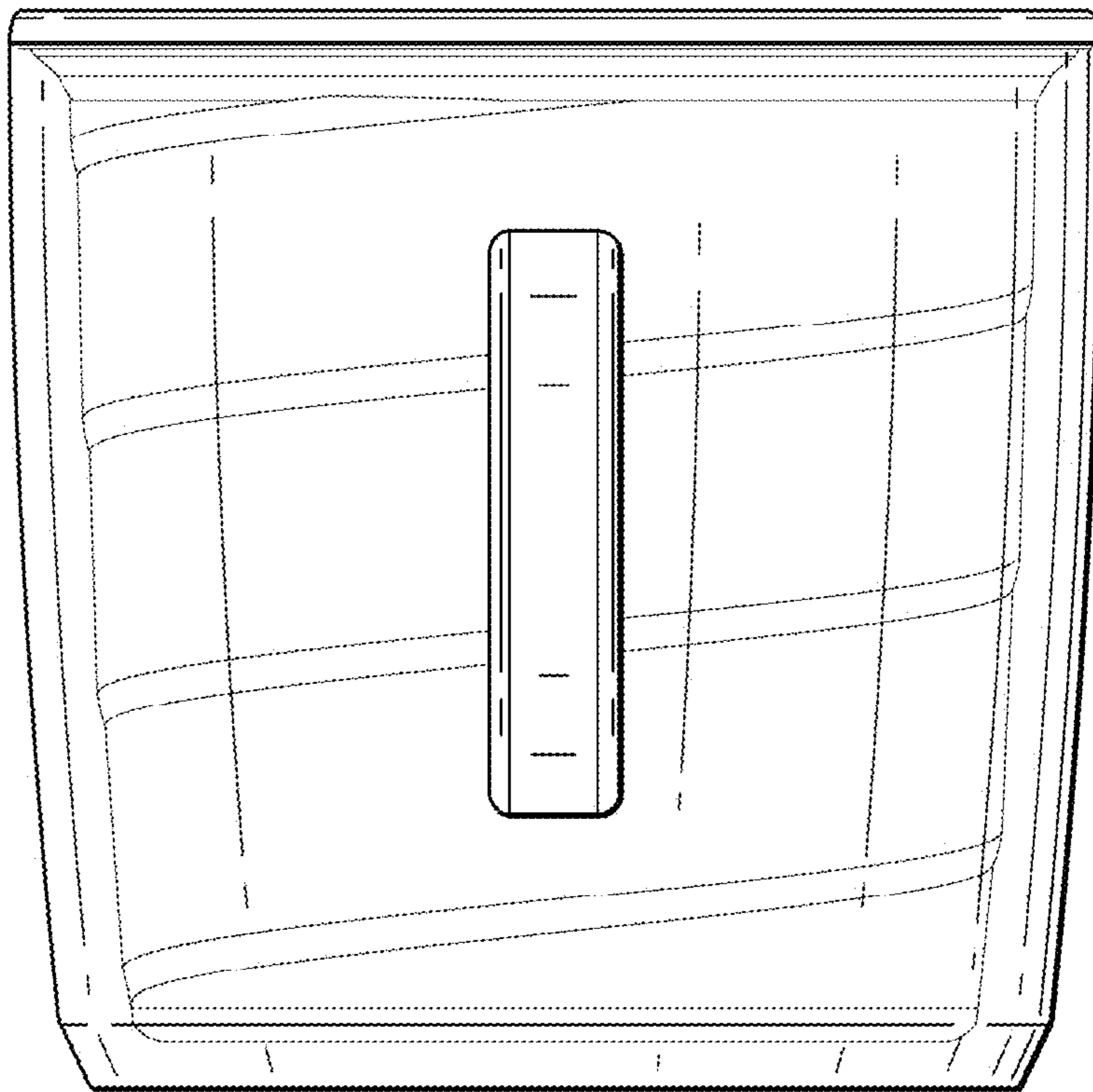


FIG. 4

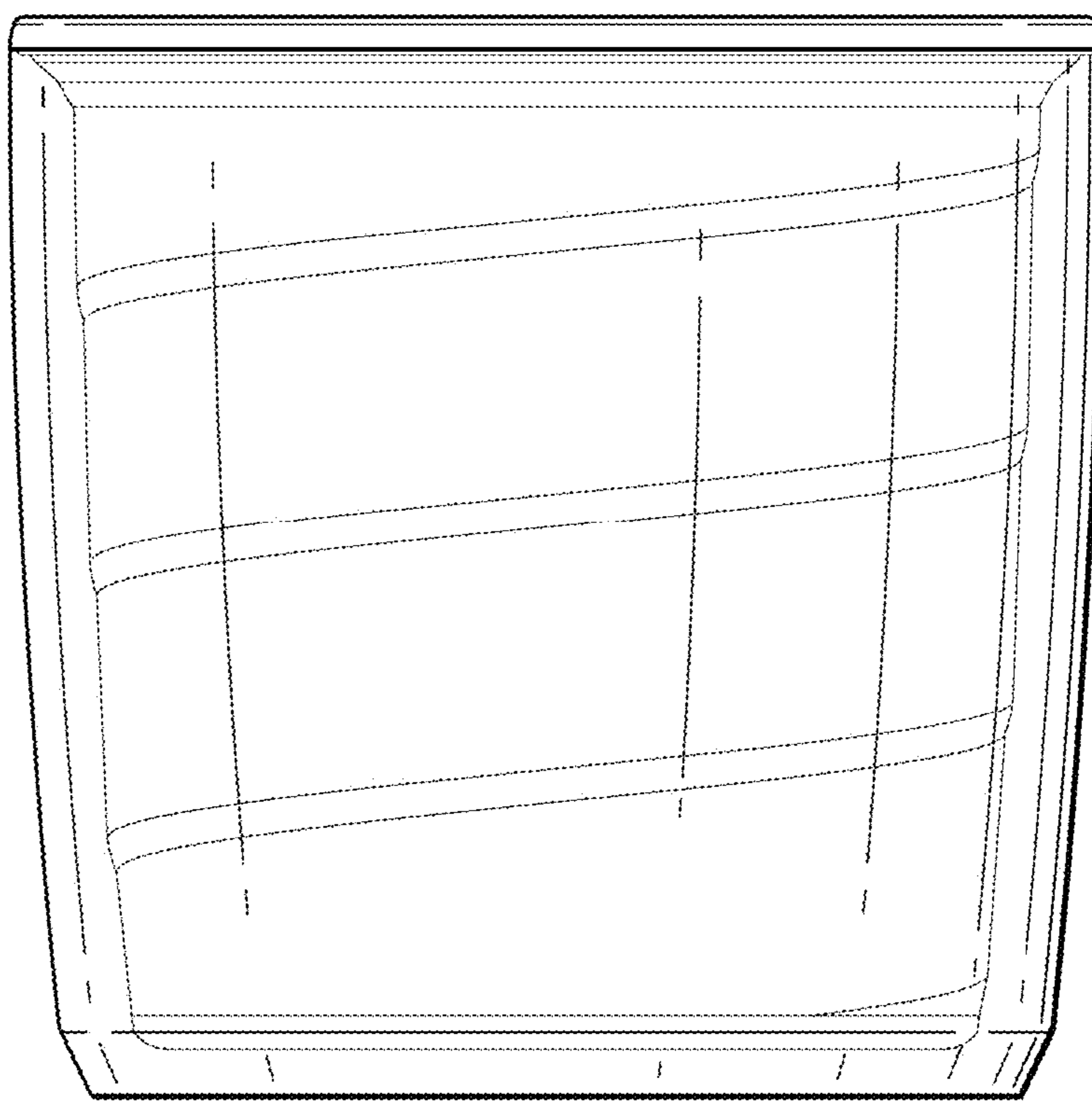


FIG. 5

FIG. 6

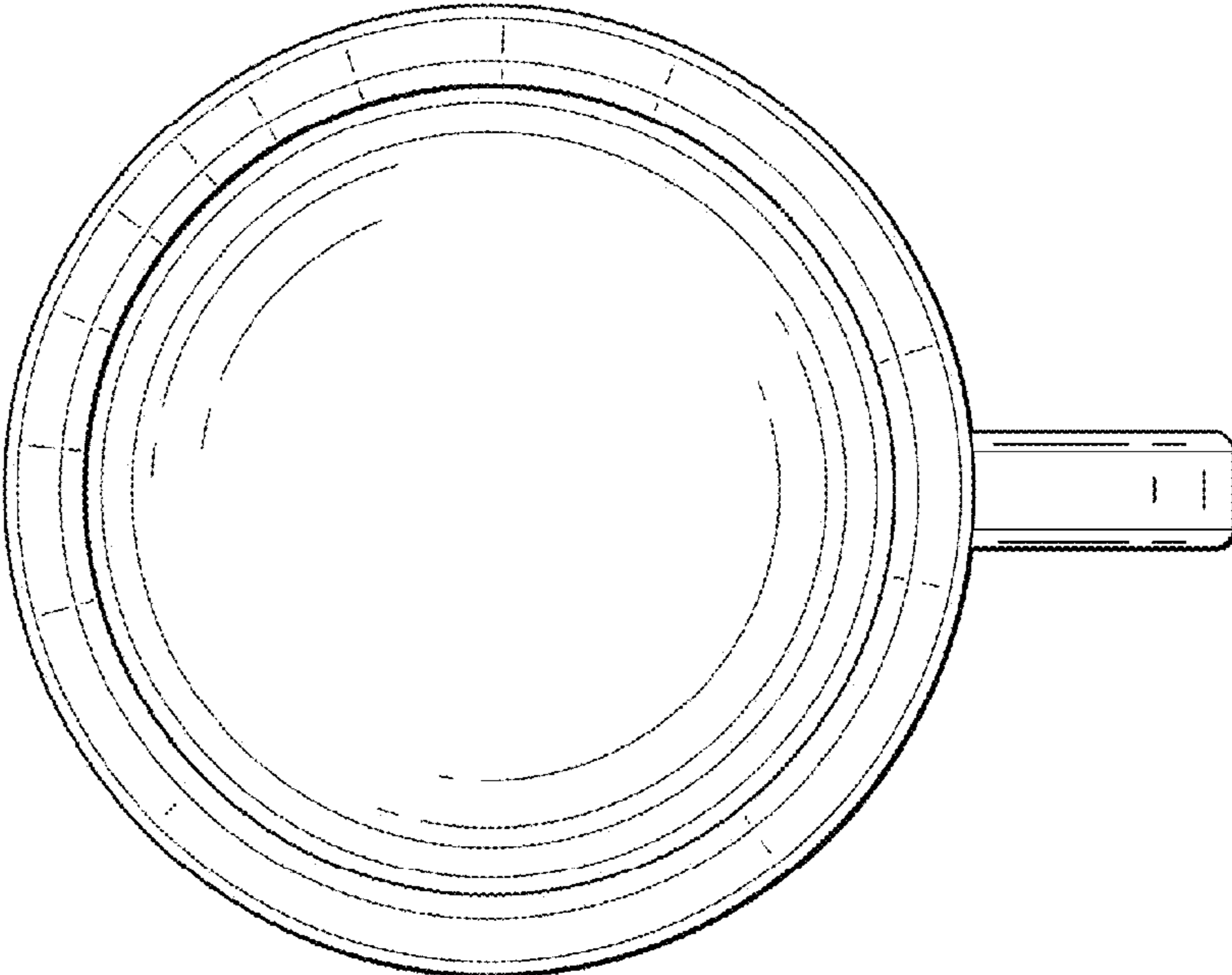
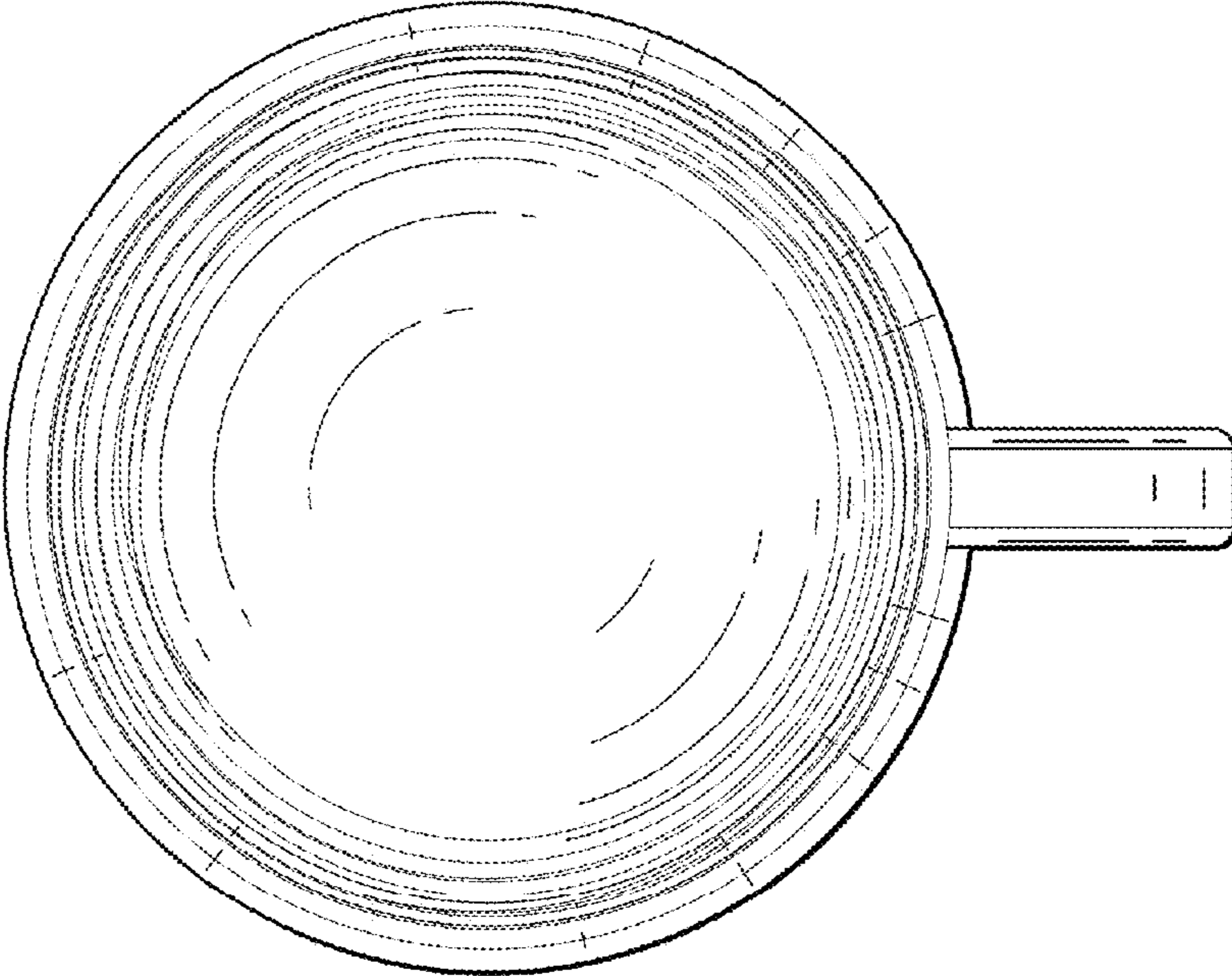


FIG. 7





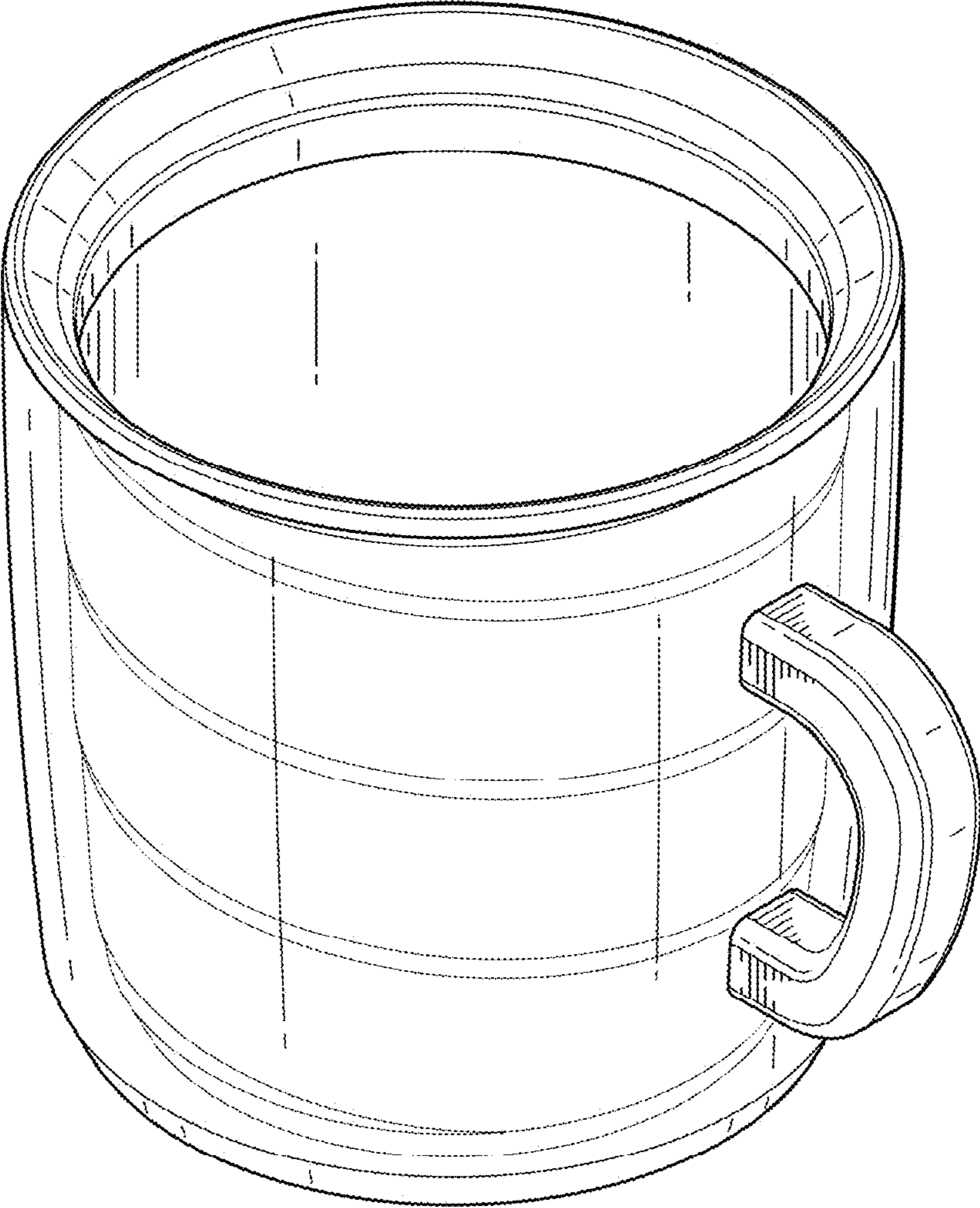


FIG. 8

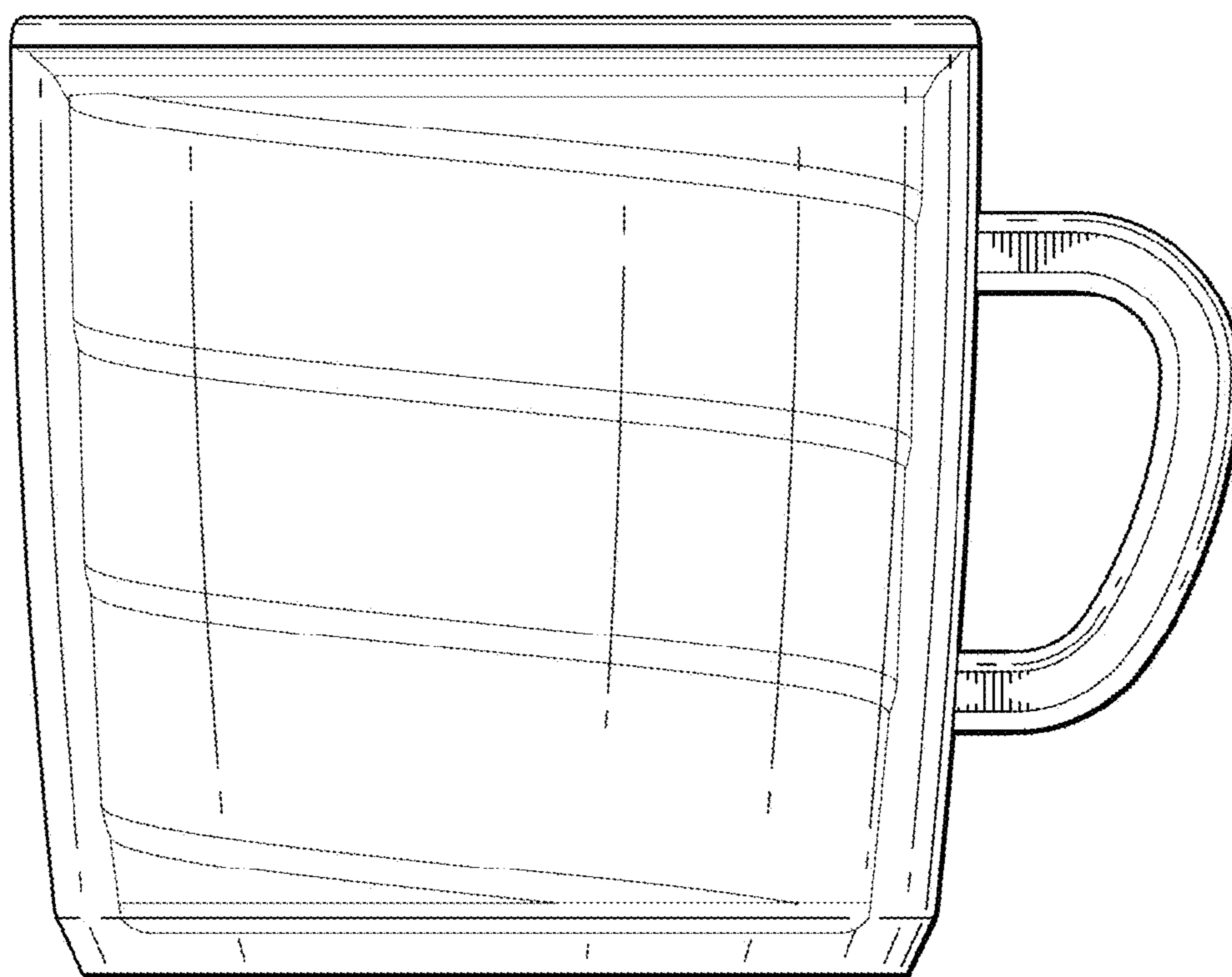


FIG. 9

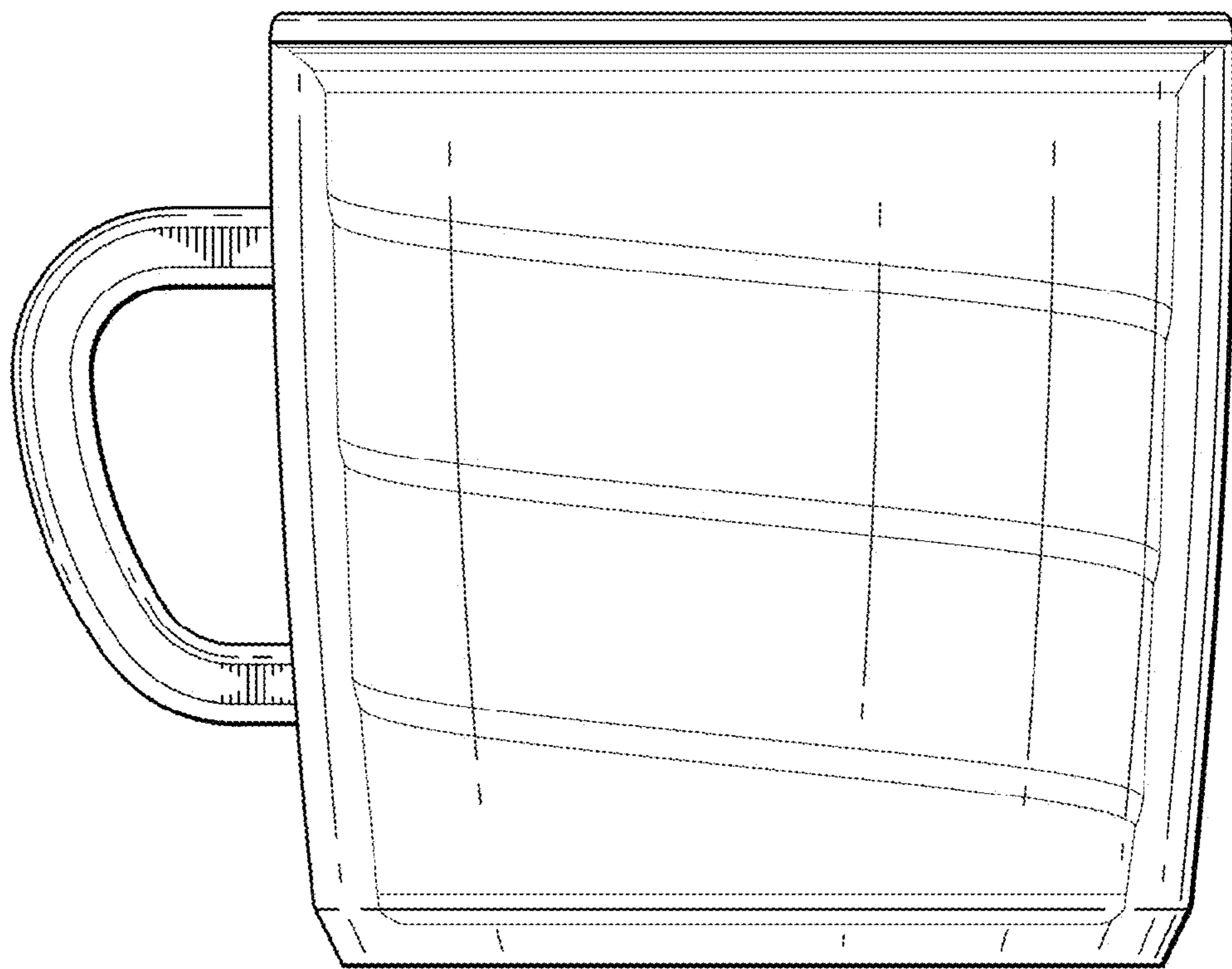


FIG. 10

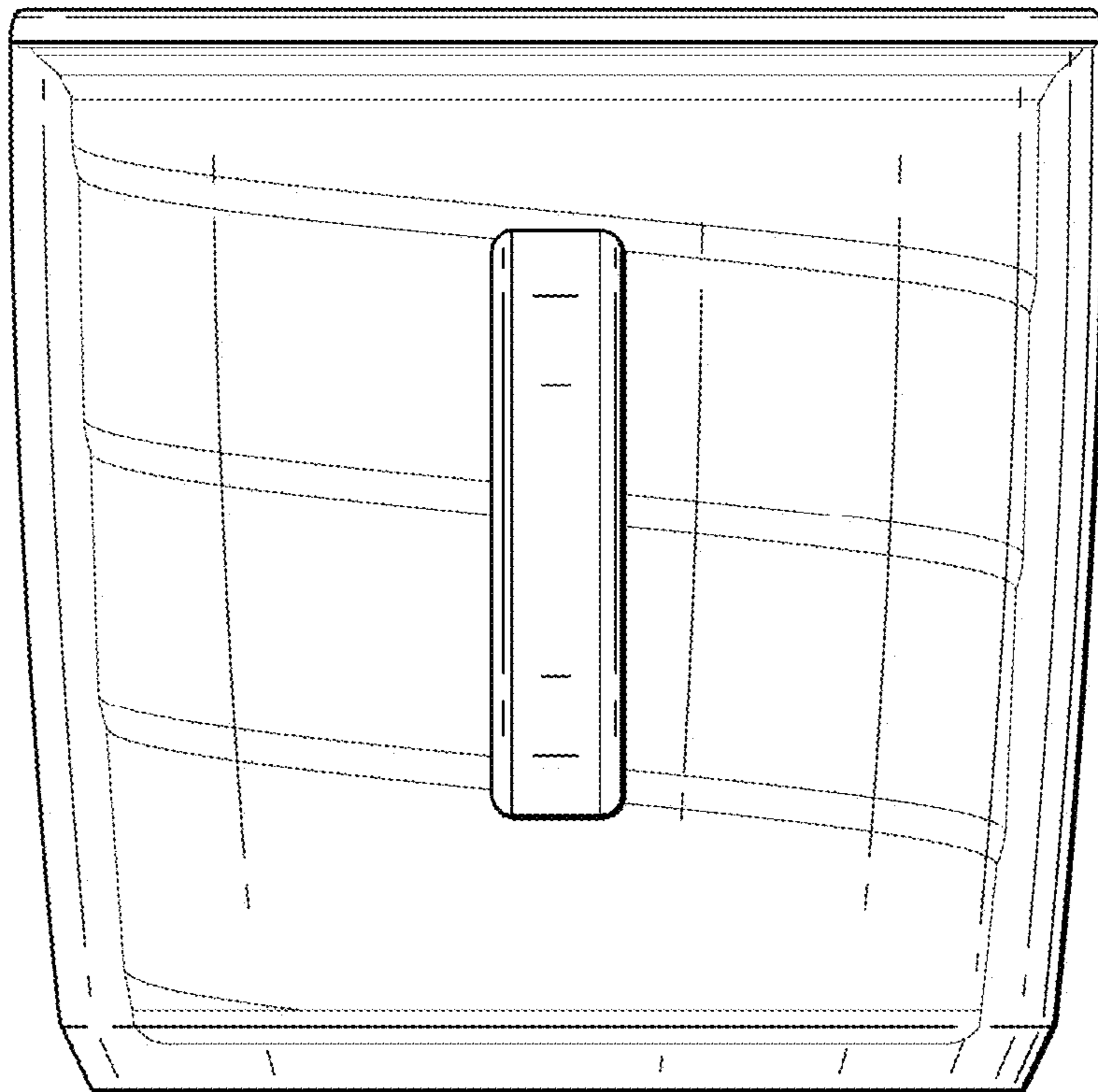


FIG. 11

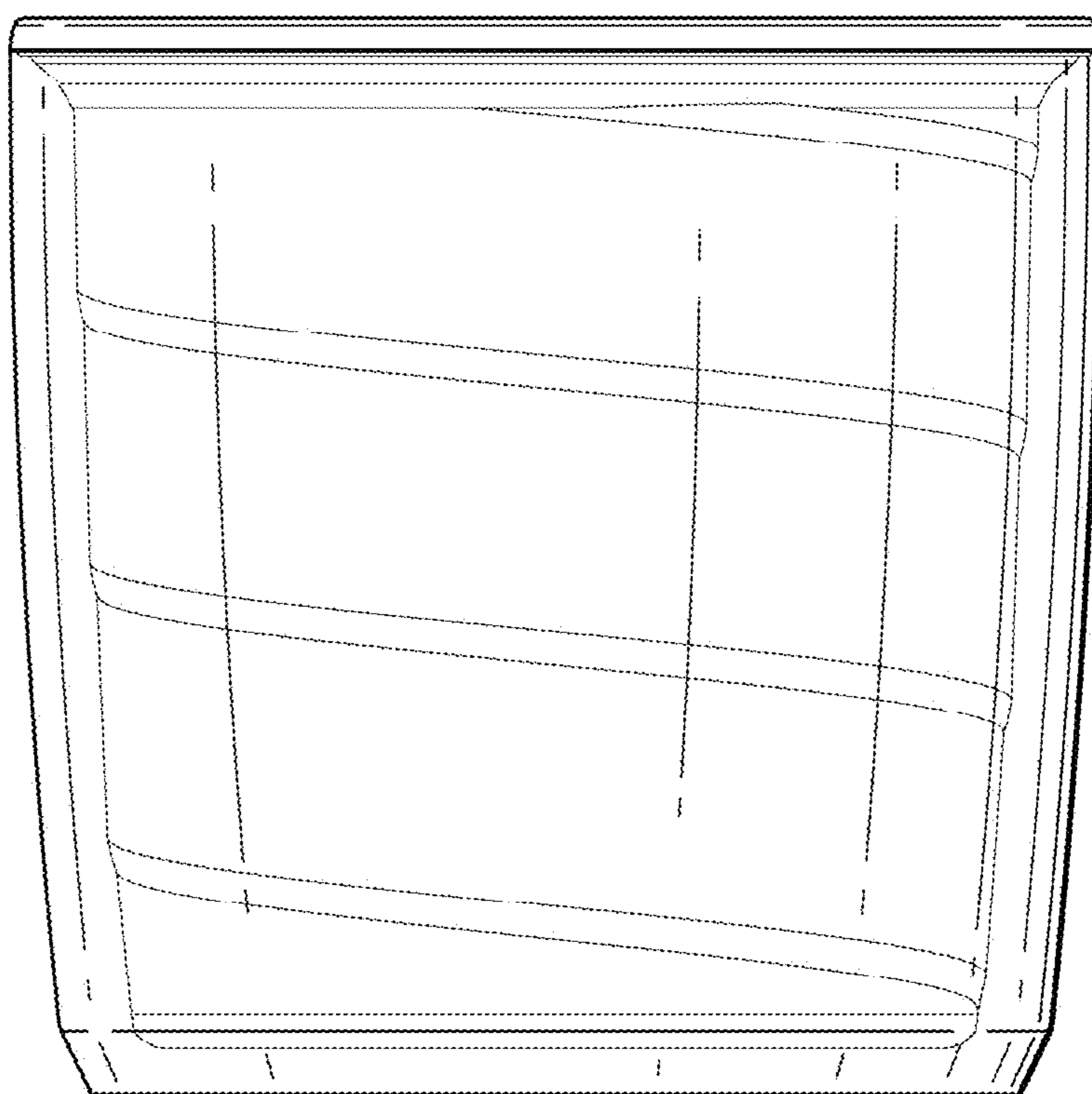


FIG. 12

FIG. 13

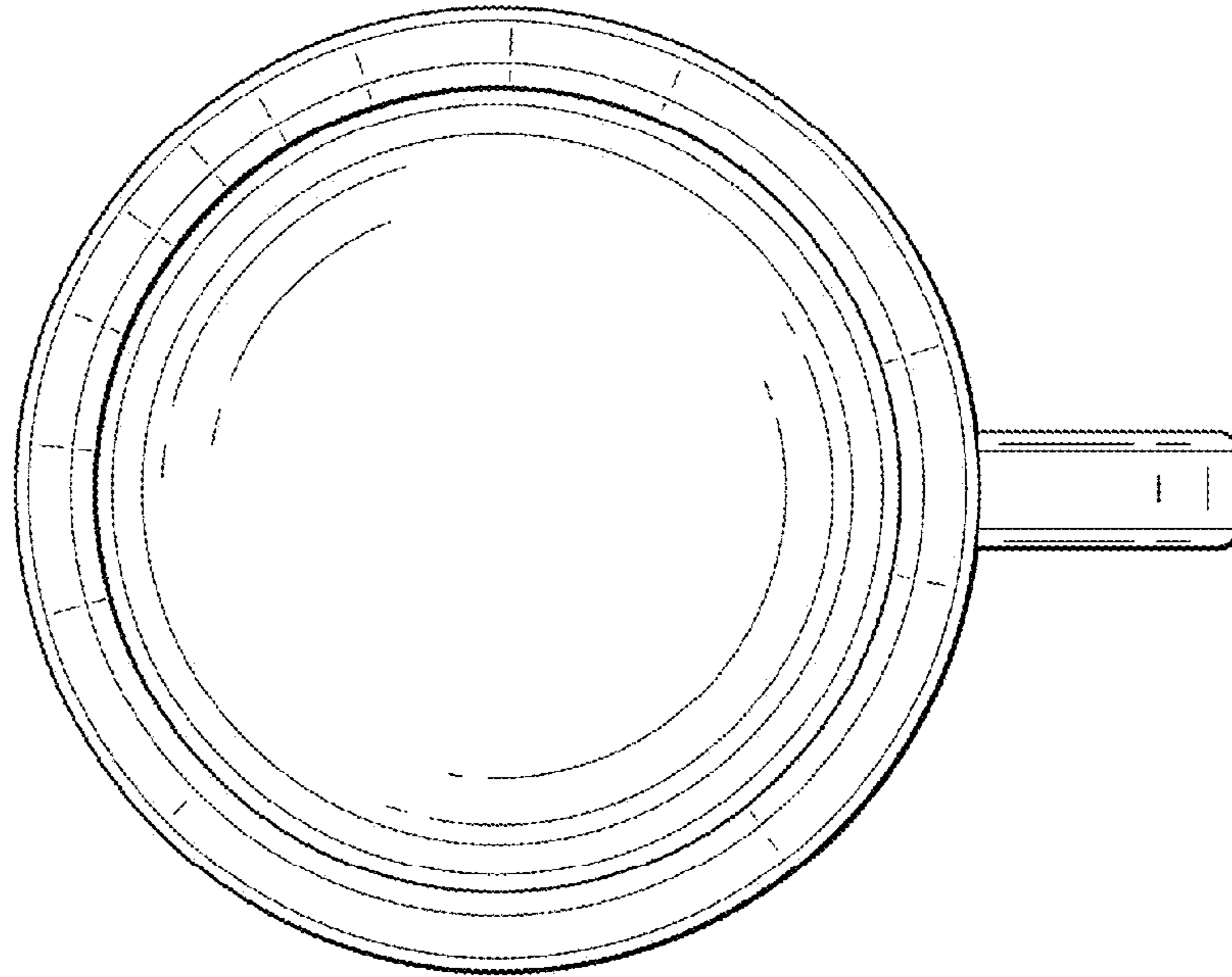


FIG. 14

