



US00D747625S

(12) **United States Design Patent**
Chung

(10) **Patent No.:** **US D747,625 S**
(45) **Date of Patent:** **** Jan. 19, 2016**

(54) **BRACKET FOR SUPPORTING A BARBECUE GRILL ON A VEHICLE**

D670,968 S * 11/2012 Maher D7/403
D692,722 S * 11/2013 Maher D7/402
D717,596 S * 11/2014 Maher D7/402

(71) Applicant: **Kiosky Chung**, Taichung (TW)

* cited by examiner

(72) Inventor: **Kiosky Chung**, Taichung (TW)

Primary Examiner — Zenia Bennett

(**) Term: **14 Years**

(57) **CLAIM**

I claim the ornamental design for a bracket for supporting a barbecue grill on a vehicle, as shown and described.

(21) Appl. No.: **29/462,489**

DESCRIPTION

(22) Filed: **Aug. 5, 2013**

(51) **LOC (10) Cl.** **07-02**

(52) **U.S. Cl.**
USPC **D7/402**

(58) **Field of Classification Search**
USPC D7/323, 329–332, 337, 339, 346, 347,
D7/354–363, 387, 391, 393, 395, 402, 408,
D7/409, 411, 504, 404, 637, 638, 601, 704,
D7/669, 368; 99/279, 323, 324, 325, 331,
99/332, 337–340, 355, 369, 403–419, 425,
99/426, 444, 450; D6/519, 566, 323;
220/485, 491, 573.1, 573.5, 759, 912;
211/41.2, 57.1, 74, 85.4, 106, 181.1
CPC B65D 51/247; B65D 77/245
See application file for complete search history.

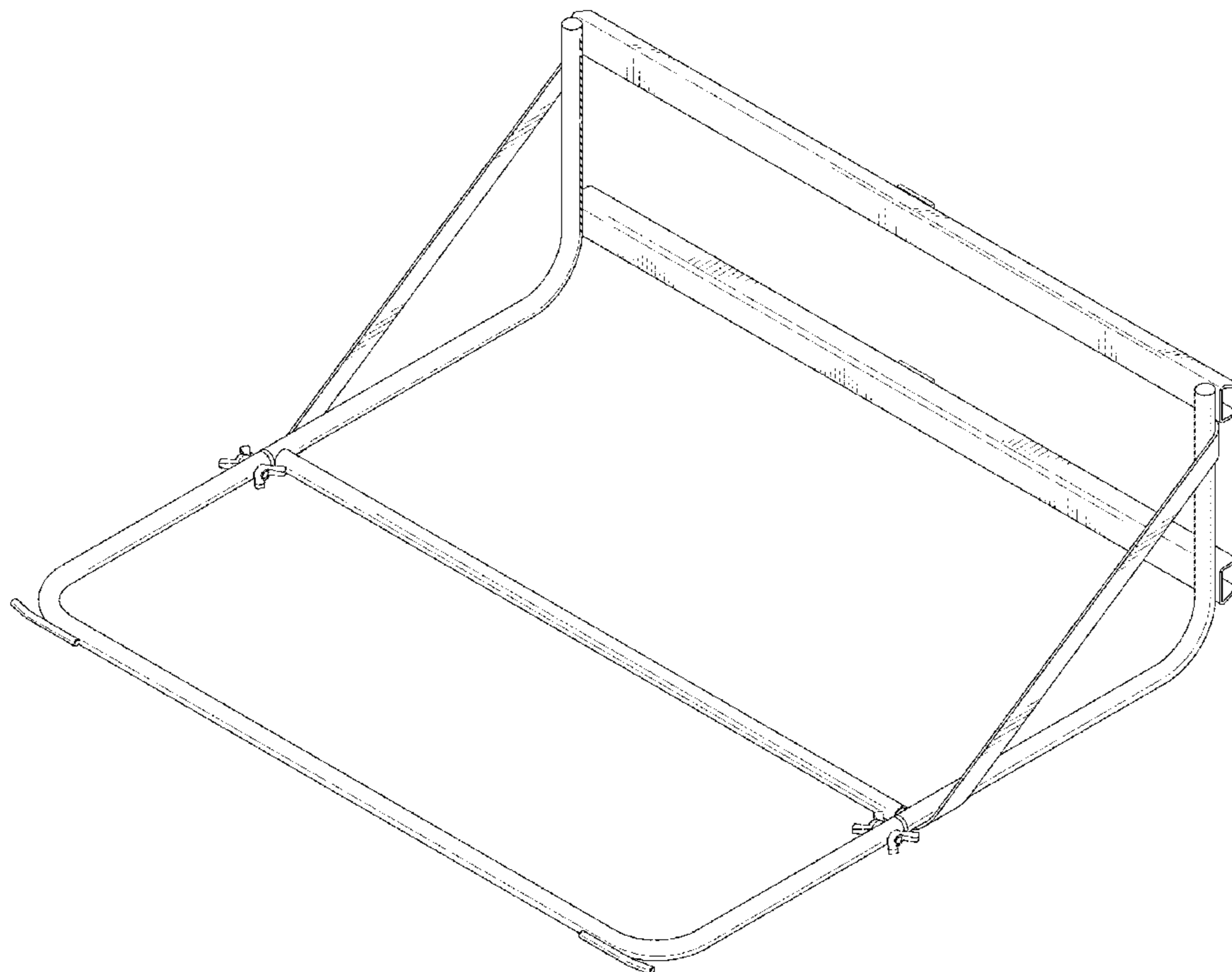
FIG. 1 is a perspective view of a bracket for supporting a barbecue grill on a vehicle in accordance with the preferred embodiment of the present invention, showing my design; FIG. 2 is a front view of the bracket for supporting a barbecue grill on a vehicle shown in FIG. 1; FIG. 3 is a rear view of the bracket for supporting a barbecue grill on a vehicle shown in FIG. 1; FIG. 4 is a left side view of the bracket for supporting a barbecue grill on a vehicle shown in FIG. 1; FIG. 5 is a right side view of the bracket for supporting a barbecue grill on a vehicle shown in FIG. 1; FIG. 6 is a top view of the bracket for supporting a barbecue grill on a vehicle shown in FIG. 1; FIG. 7 is a bottom view of the bracket for supporting a barbecue grill on a vehicle shown in FIG. 1; and, FIG. 8 is a cross-sectional view of a bracket for supporting a barbecue grill on a vehicle shown in FIG. 1. The broken lines shown in the drawings are for the purpose of illustrating unclaimed portions of the bracket for supporting a barbecue grill on a vehicle and form no part of the claimed design.

(56) **References Cited**

U.S. PATENT DOCUMENTS

D479,435 S * 9/2003 Siegel D7/409
D612,693 S * 3/2010 Accardo D7/409
D666,872 S * 9/2012 Maher D7/402

1 Claim, 8 Drawing Sheets



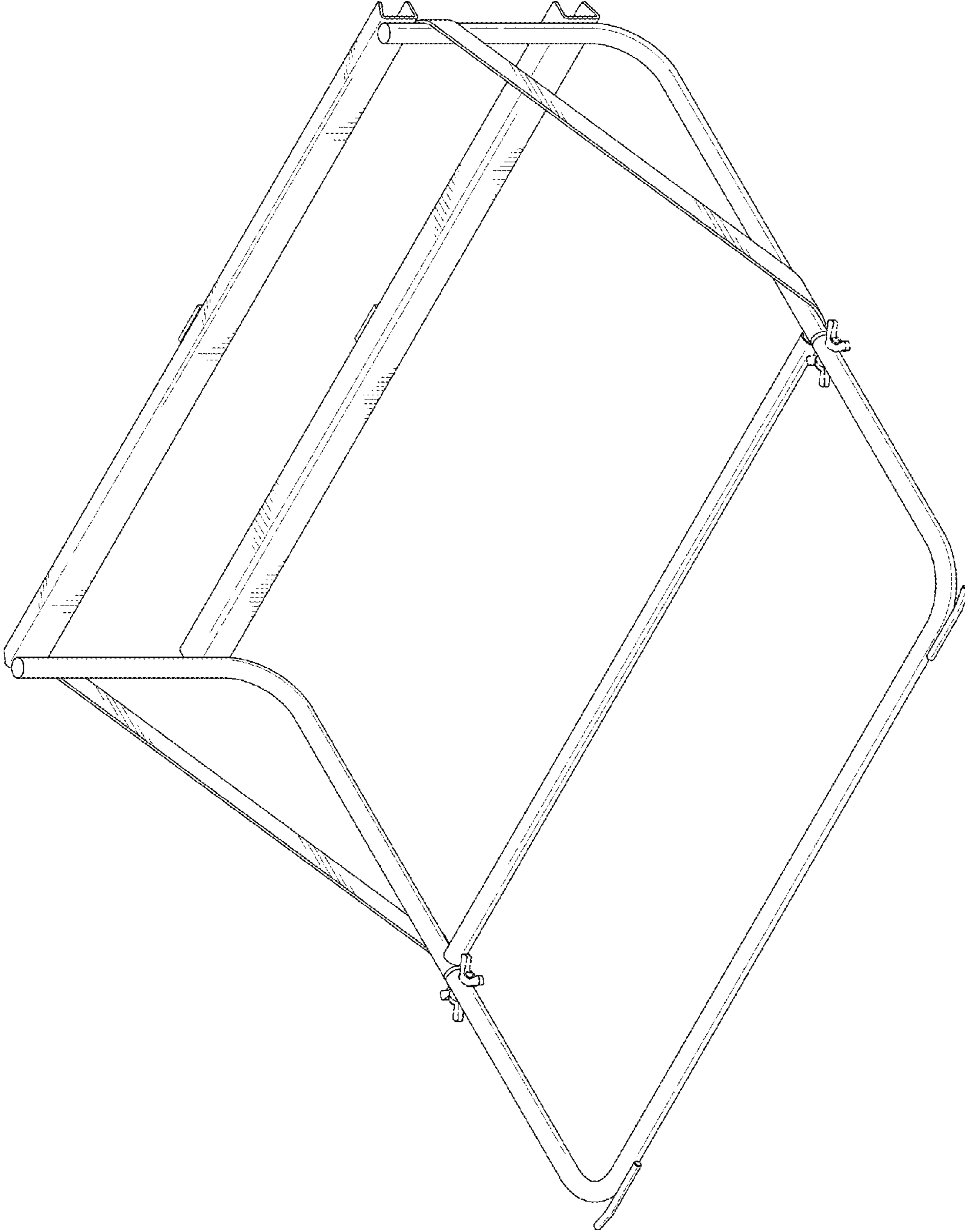


FIG. 1

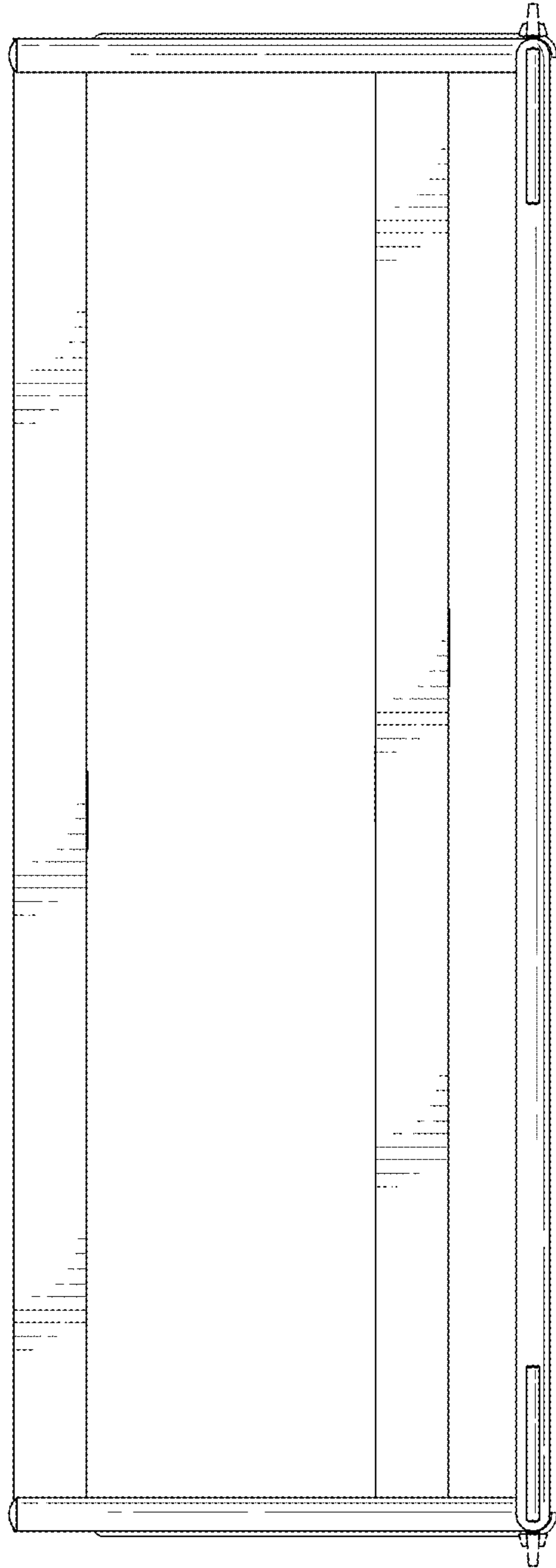


FIG. 2

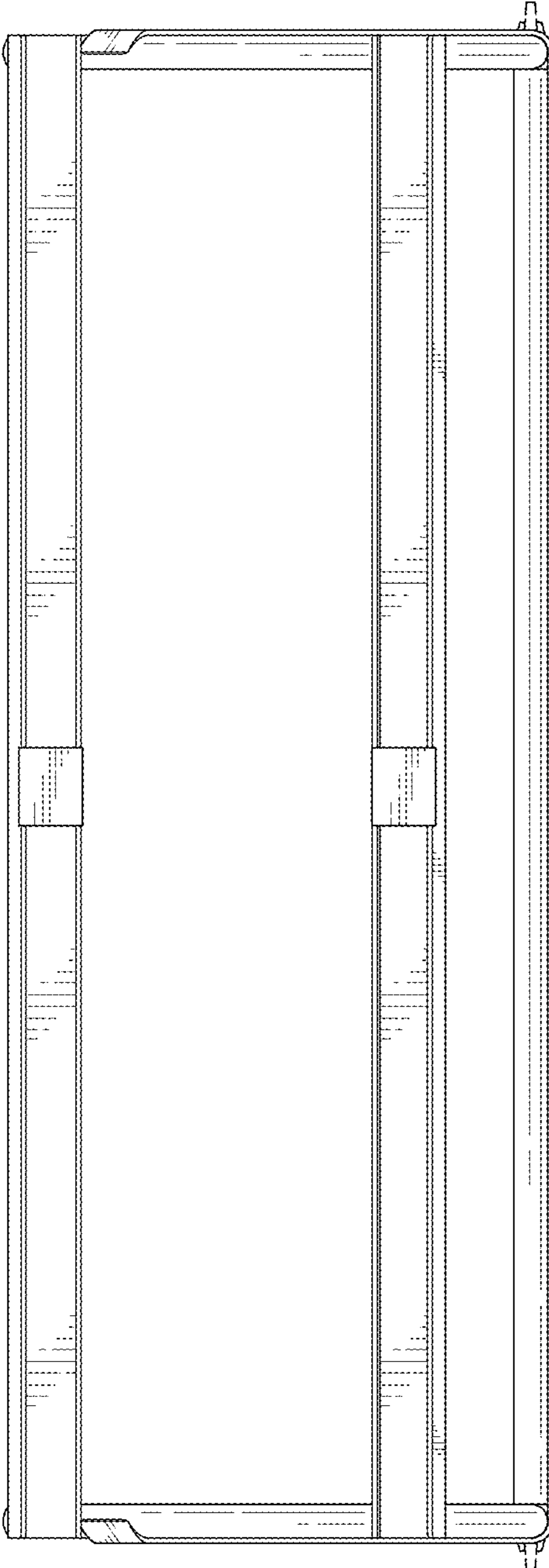


FIG. 3

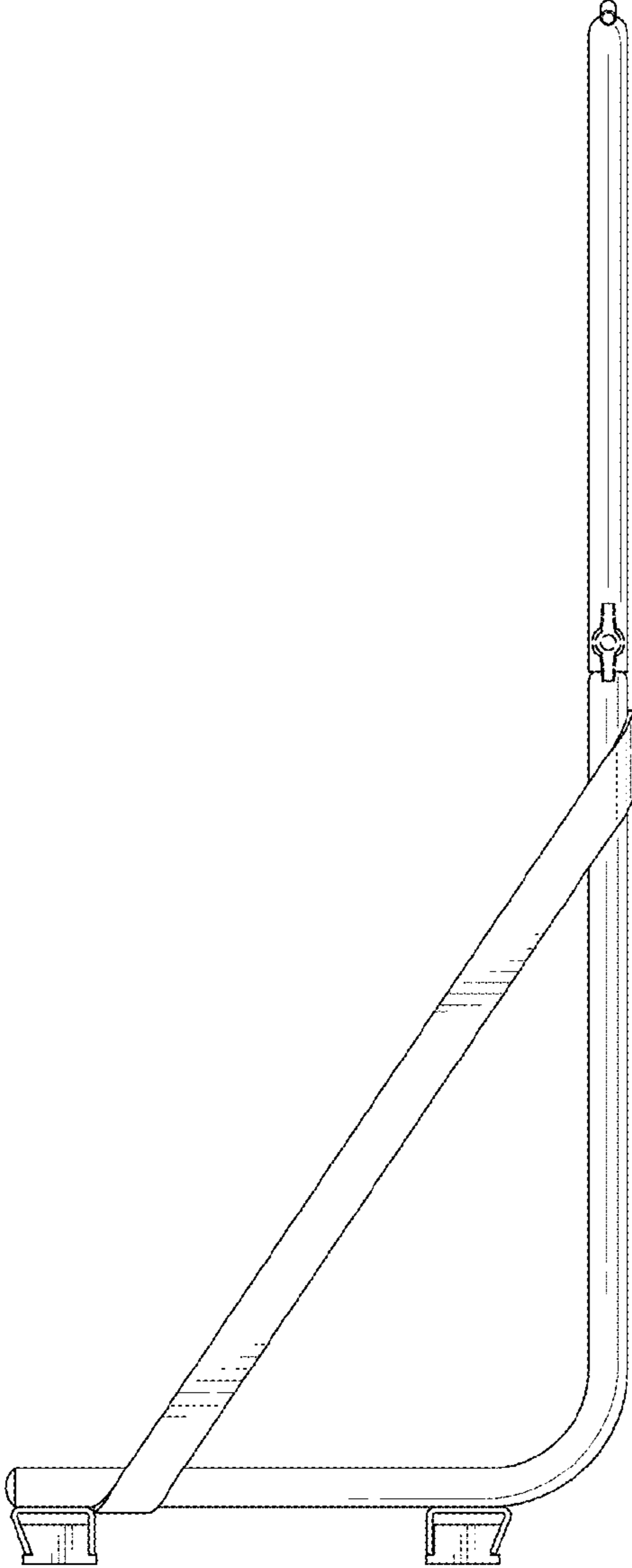


FIG. 4

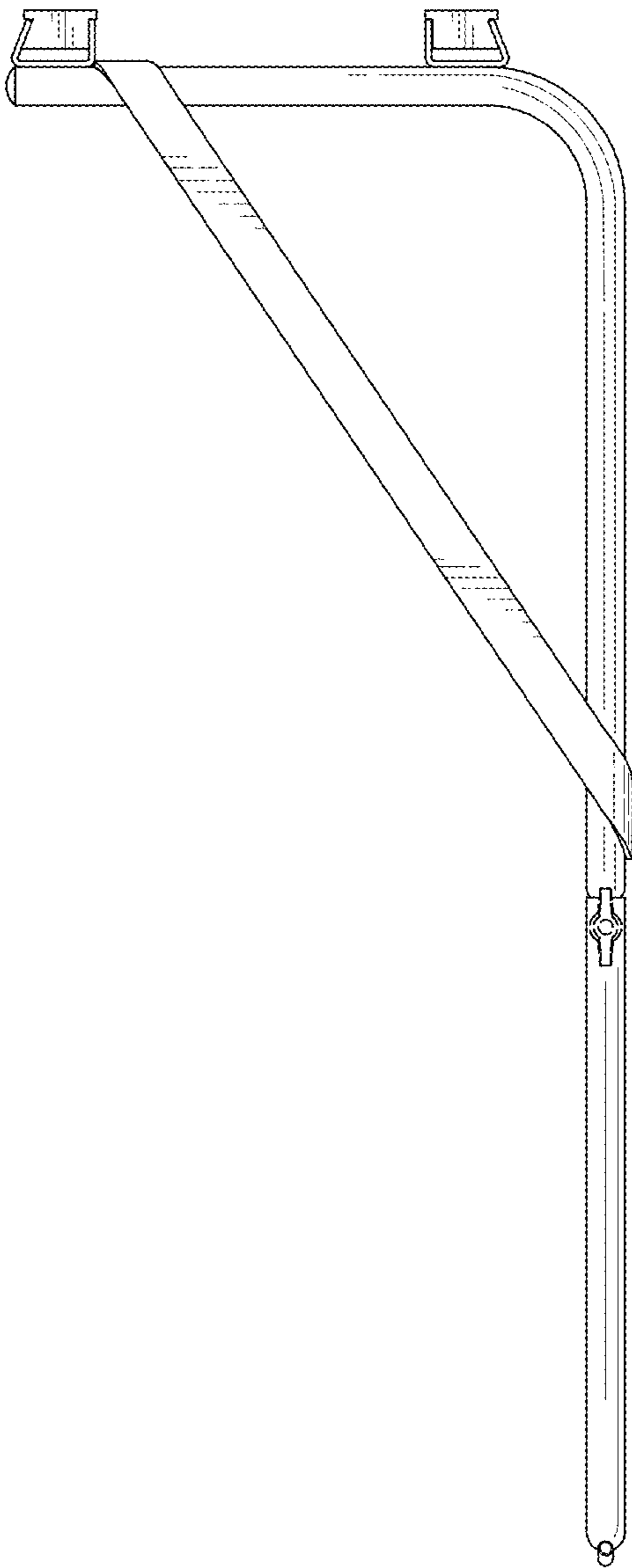


FIG. 5

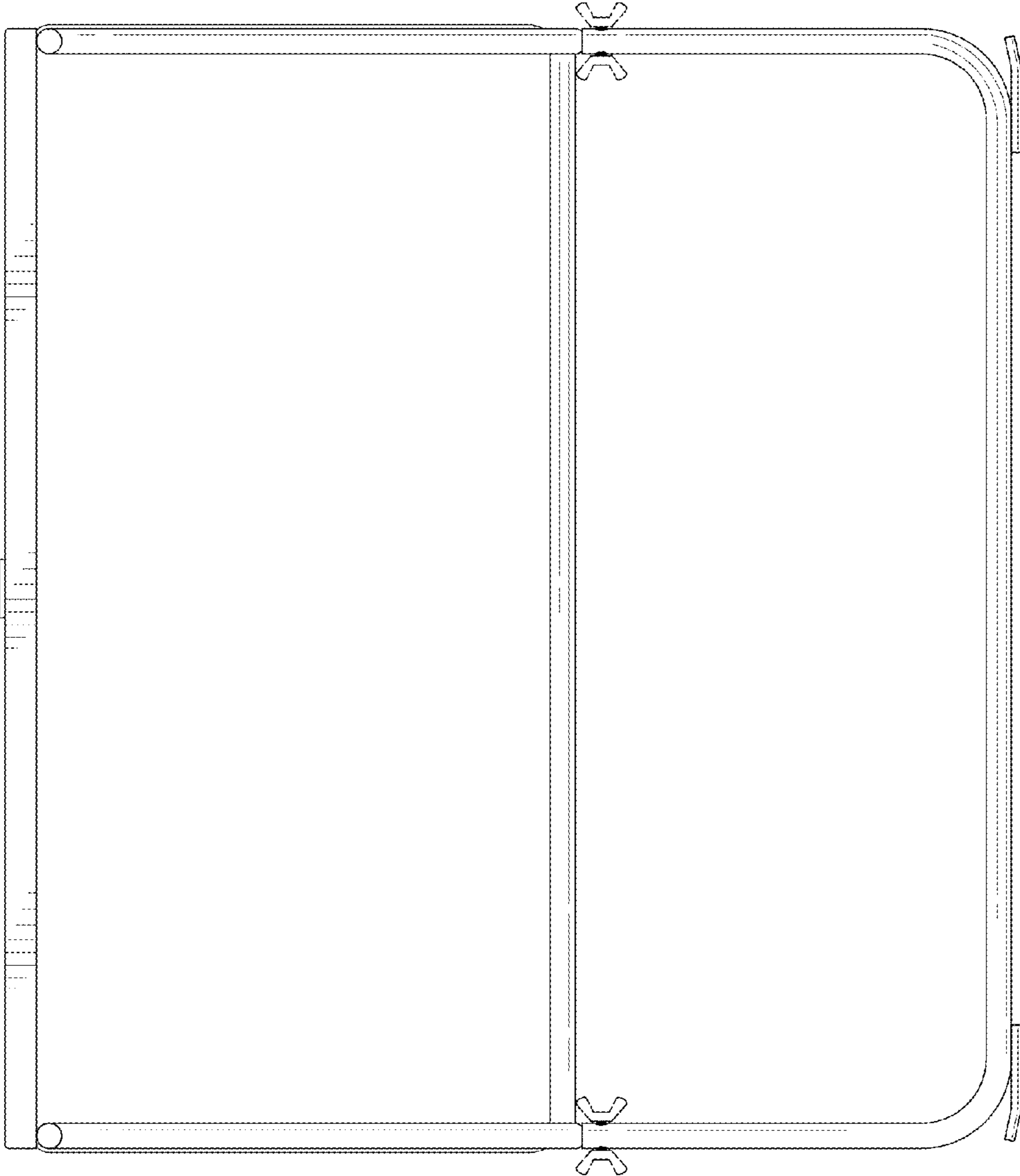


FIG. 6

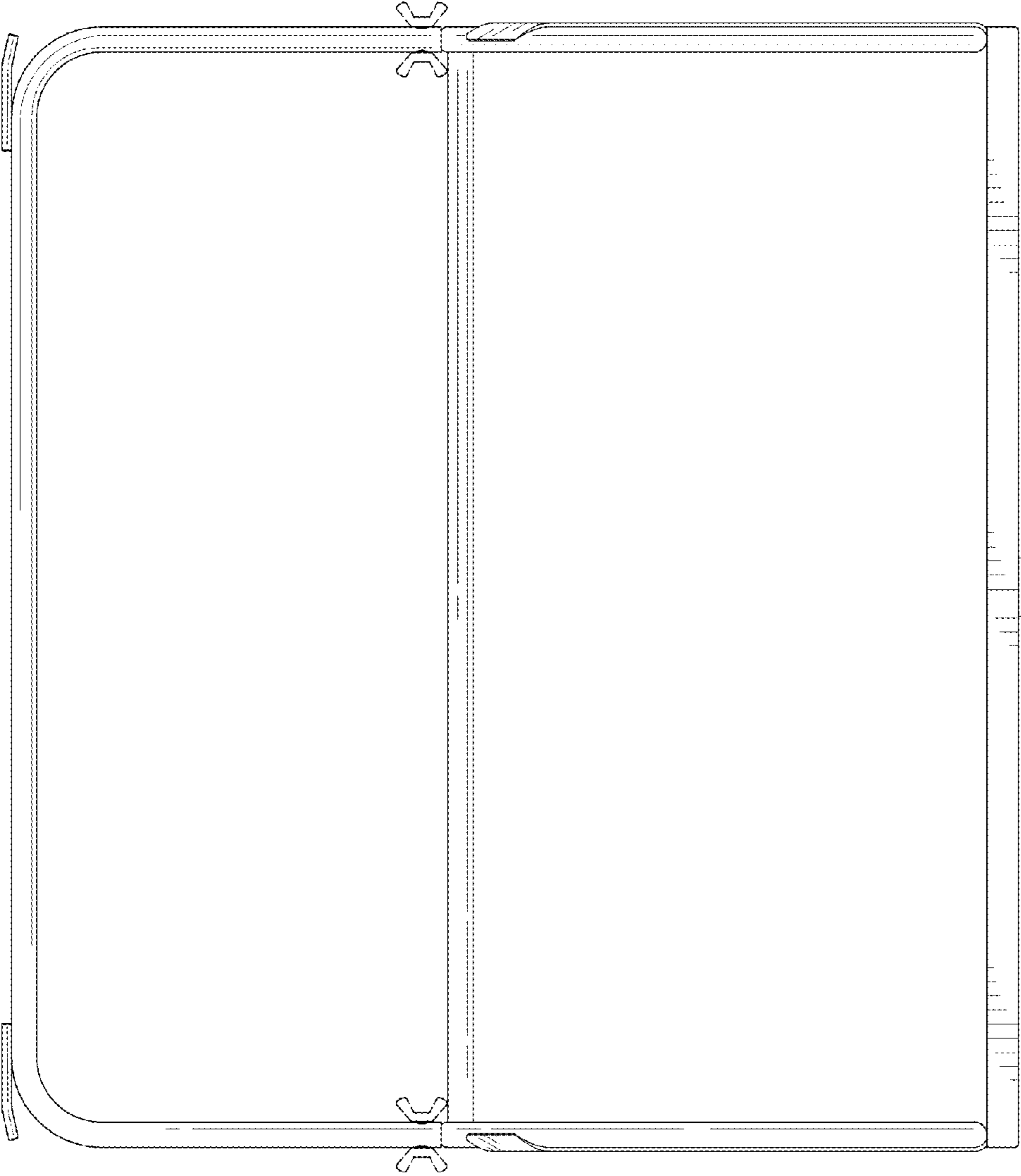


FIG. 7

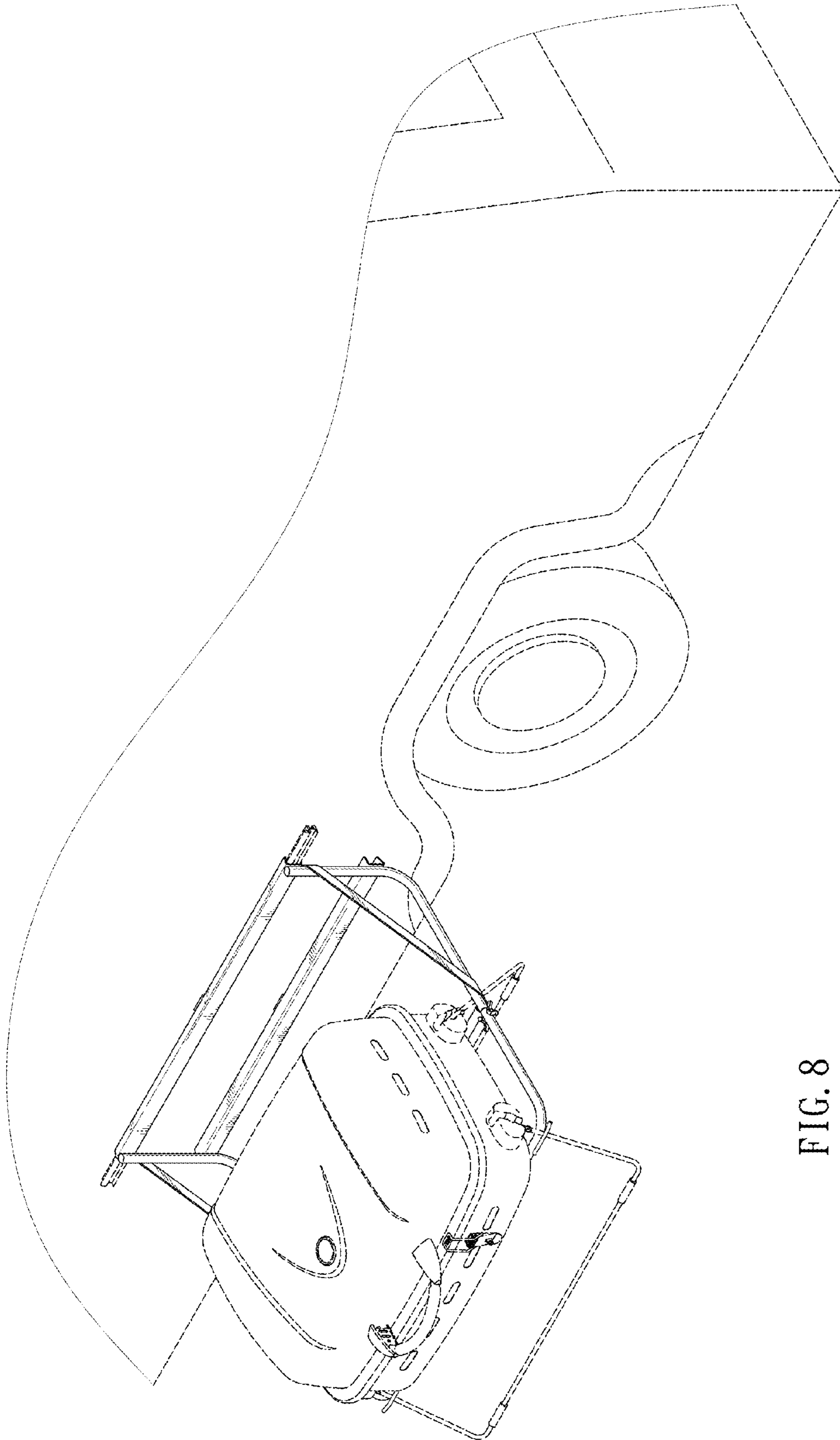


FIG. 8