

US00D747622S

(12) **United States Design Patent**
Yang

(10) **Patent No.:** **US D747,622 S**
(45) **Date of Patent:** **** Jan. 19, 2016**

(54) **PORTABLE EVEN HEAT-DISTRIBUTION GAS OVEN**

(71) Applicant: **Jiangmen Cadero Hardware Products Mfg. Co., Ltd., Jiangmen (CN)**

(72) Inventor: **Jianying Yang, Jiangmen (CN)**

(73) Assignee: **JIANGMEN CADERO HARDWARE PRODUCTS MFG. CO., LTD., A Jiangmen**

(**) Term: **14 Years**

(21) Appl. No.: **29/503,587**

(22) Filed: **Sep. 26, 2014**

(51) **LOC (10) Cl.** **07-02**

(52) **U.S. Cl.**
USPC **D7/362; D7/352; D7/363**

(58) **Field of Classification Search**
USPC D7/323, 328-332, 337, 347, 352-364, D7/367, 402, 409-411
CPC A21B 5/023; A47J 27/60; A47J 27/62; A47J 37/04; A47J 37/06; A47J 37/067; A47J 37/0605; A47J 37/0611; A47J 37/0623; A47J 37/0629; A47J 37/0676; A47J 2037/06; A47J 2037/0611; F24C 15/10; F24C 15/102; H05B 6/02; H05B 6/062

See application file for complete search history.

(56) **References Cited**

U.S. PATENT DOCUMENTS

D436,794 S * 1/2001 McClean D7/352
D452,109 S * 12/2001 Hensel D7/352

D514,871 S * 2/2006 May D7/337
D539,074 S * 3/2007 Lubowicki D7/352
D572,968 S * 7/2008 Doo D7/352
D576,443 S * 9/2008 Chung D7/337
D577,534 S * 9/2008 Chung D7/337
D632,127 S * 2/2011 Whitcombe D7/352
D677,106 S * 3/2013 Horito D7/337
D689,728 S * 9/2013 Steiner D7/352
D689,729 S * 9/2013 Yan D7/352
D695,055 S * 12/2013 Measom D7/332

* cited by examiner

Primary Examiner — Ricky Pham

(74) *Attorney, Agent, or Firm* — CBM Patent Consulting, LLC

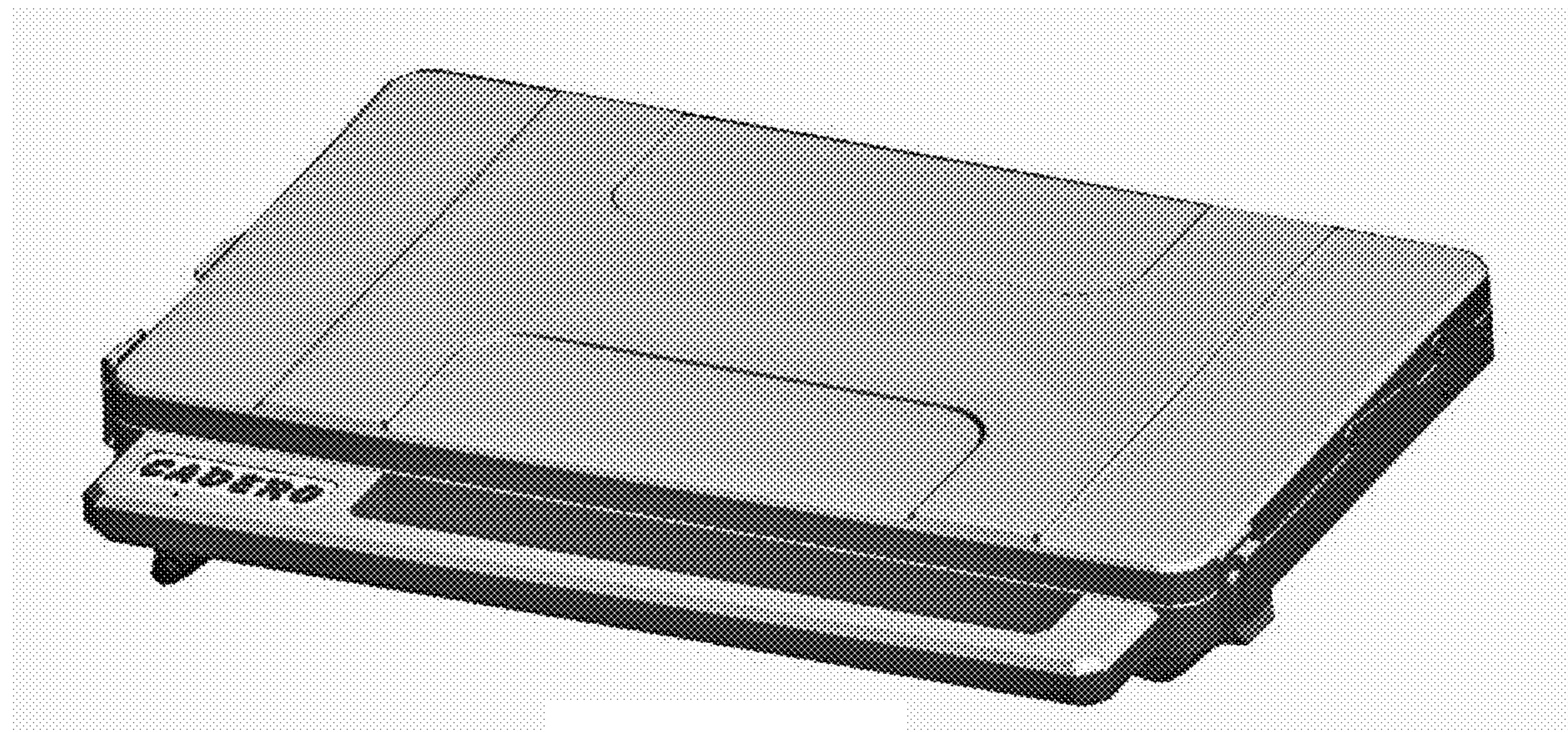
(57) **CLAIM**

The ornamental design for a portable even heat-distribution gas oven, as shown and described.

DESCRIPTION

FIG. 1 is a top view of a portable even heat-distribution gas oven showing my new design;
FIG. 2 is a bottom view thereof;
FIG. 3 is a front view thereof;
FIG. 4 is a rear view thereof;
FIG. 5 is a left side elevational view thereof;
FIG. 6 is a right side elevational view thereof; and,
FIG. 7 is a perspective view thereof.

1 Claim, 4 Drawing Sheets



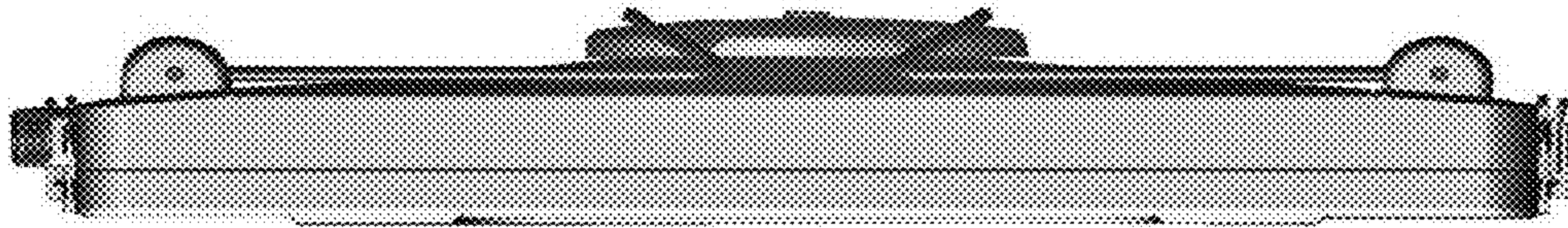


FIG. 1

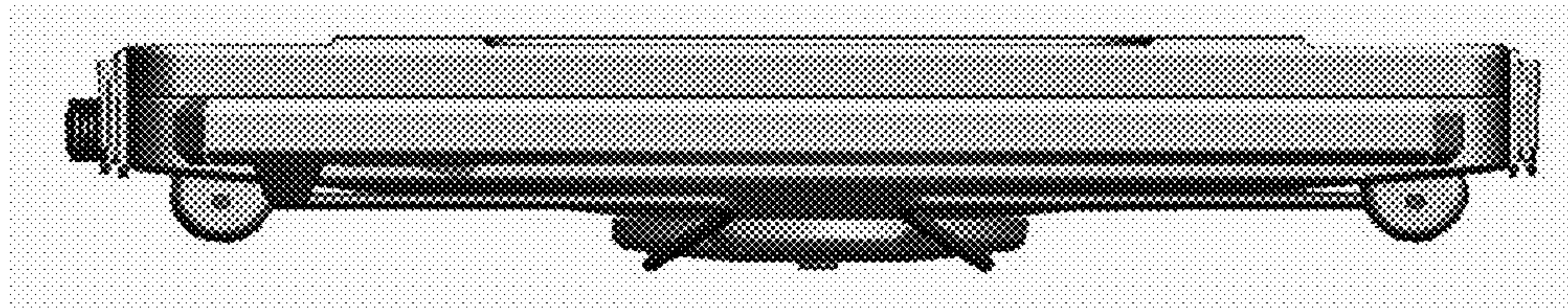


FIG. 2

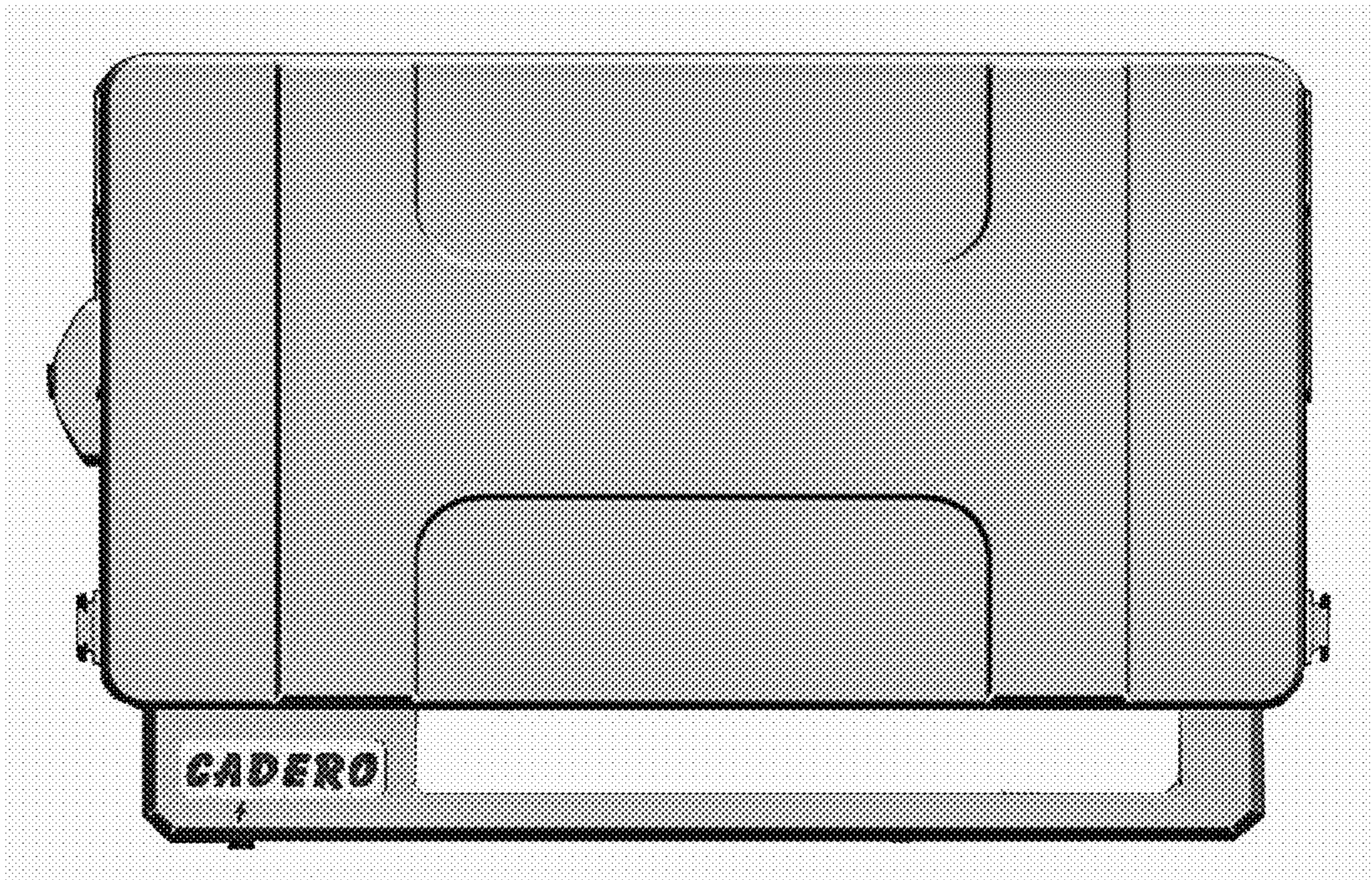


FIG. 3

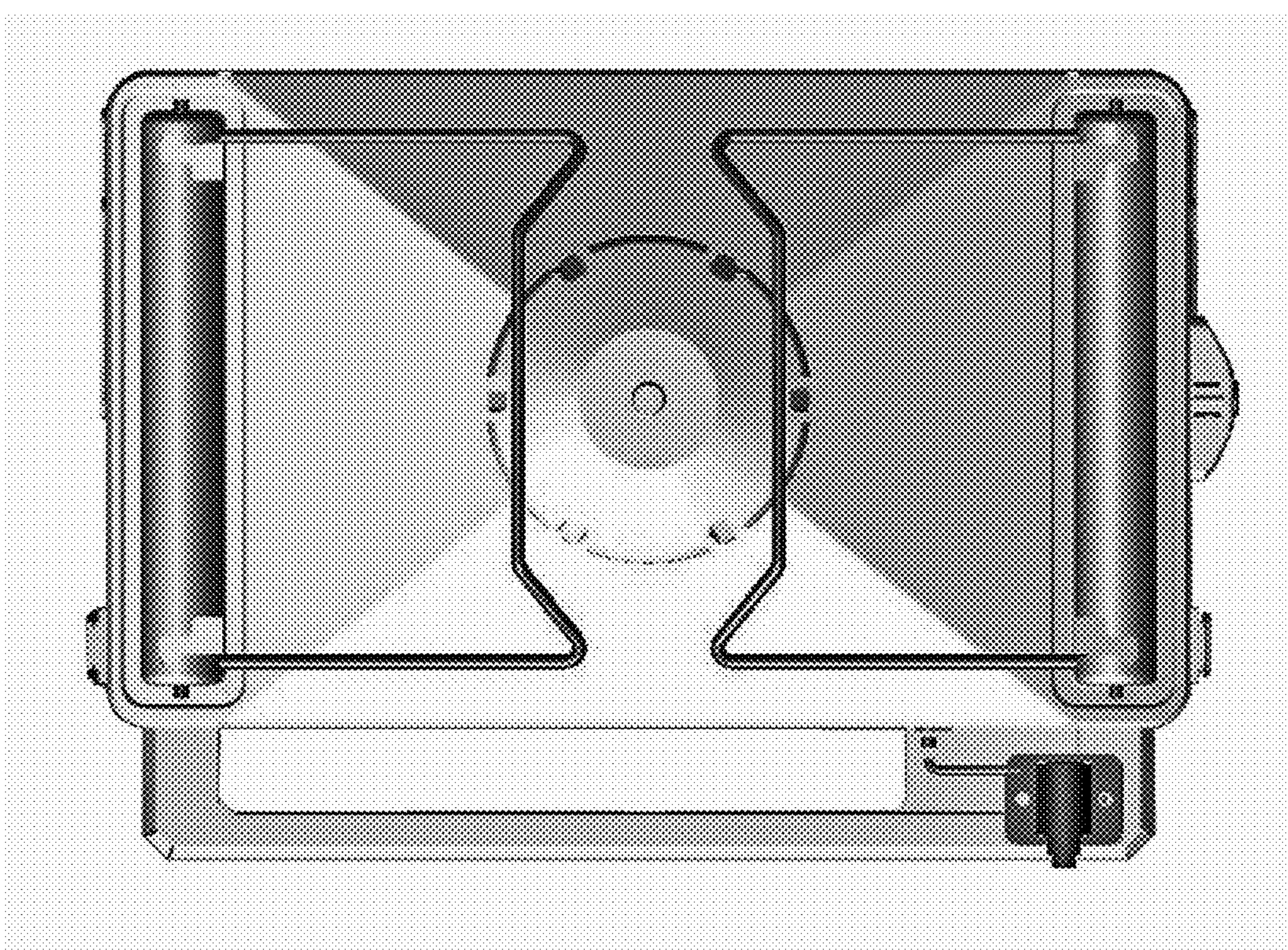


FIG. 4

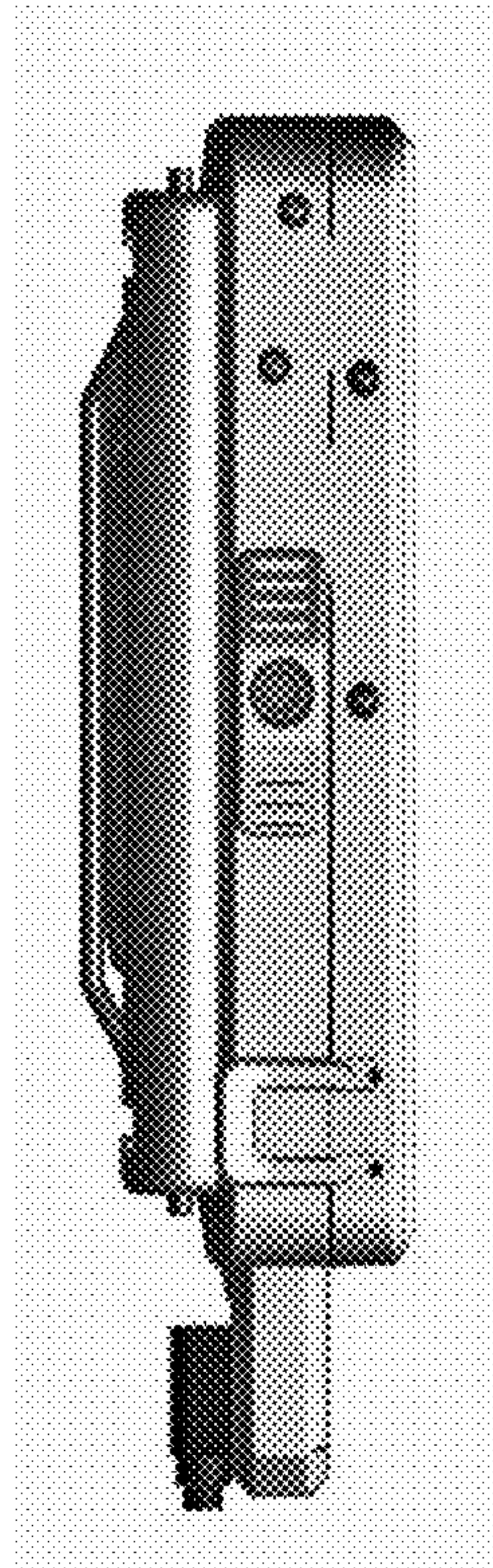


FIG. 5

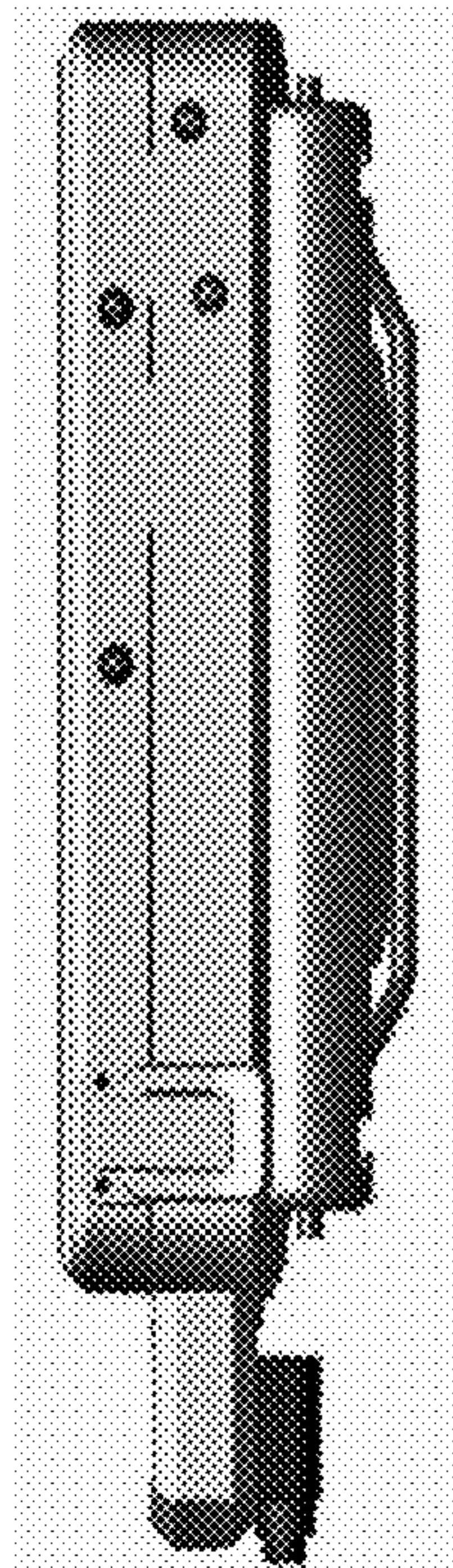


FIG. 6

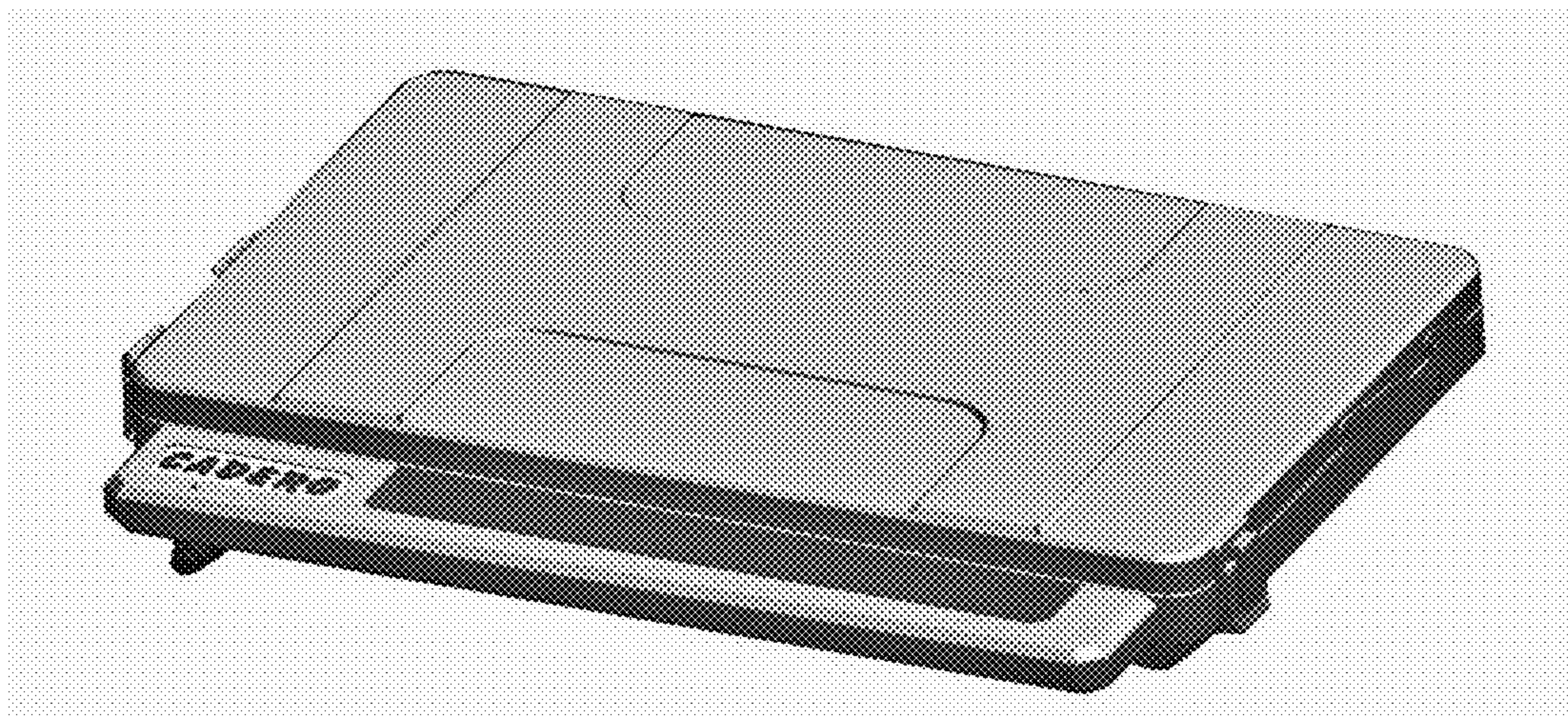


FIG. 7