



US00D747620S

(12) **United States Design Patent**  
**Chung**

(10) **Patent No.:** **US D747,620 S**  
(45) **Date of Patent:** **\*\* Jan. 19, 2016**

(54) **BARBECUE GRILL**

(71) Applicant: **Kiosky Chung**, Taichung (TW)

(72) Inventor: **Kiosky Chung**, Taichung (TW)

(\*\*) Term: **14 Years**

(21) Appl. No.: **29/500,847**

(22) Filed: **Aug. 28, 2014**

(51) **LOC (10) Cl.** ..... **07-02**

(52) **U.S. Cl.**  
USPC ..... **D7/332**

(58) **Field of Classification Search**  
USPC ..... D7/332, 334-337, 402-405, 417, 338,  
D7/348; 126/275 E  
CPC ..... A47J 37/0704; A47J 37/0763; A47J  
37/0745; A47J 37/0713; A47J 37/0768;  
A47J 37/079; A47J 36/26; A47J 39/00;  
F24B 1/205; F24B 1/02; F24B 15/04; F24C  
3/14; F24C 3/027; F24C 15/08; F47J 33/00;  
B65D 7/26; B65D 7/24; A23B 4/052

See application file for complete search history.

(56) **References Cited**

U.S. PATENT DOCUMENTS

D435,753	S	*	1/2001	Pai	.....	D7/332
D525,818	S	*	8/2006	Chung	.....	D7/332
D574,177	S	*	8/2008	Hulsey	.....	D7/335
D583,185	S	*	12/2008	Rutter	.....	D7/334
D592,442	S	*	5/2009	Rutter	.....	D7/334
D629,244	S	*	12/2010	McLemore	.....	D7/332
2005/0121018	A1	*	6/2005	Rosen	.....	F24B 1/182 126/9 R

\* cited by examiner

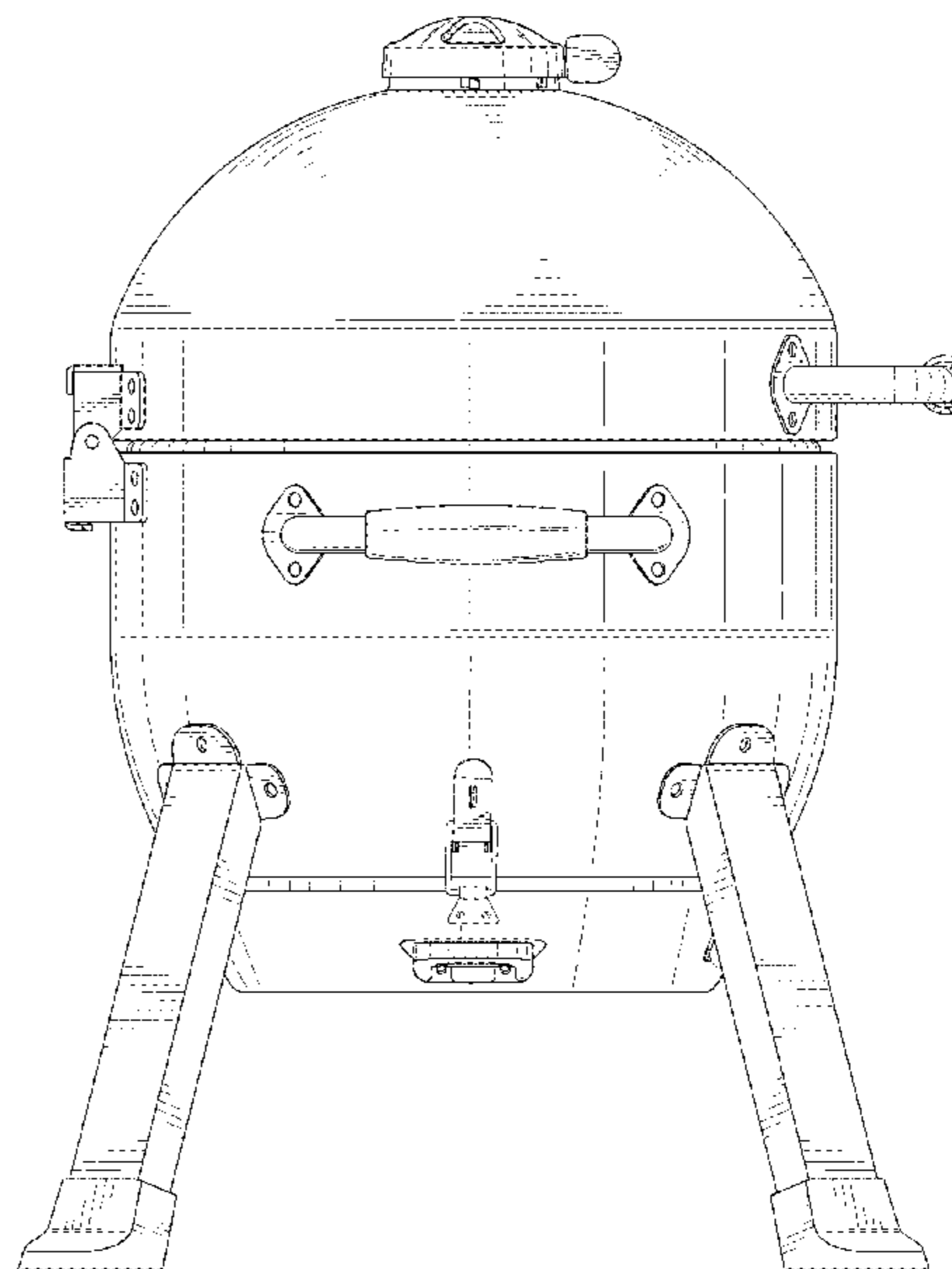
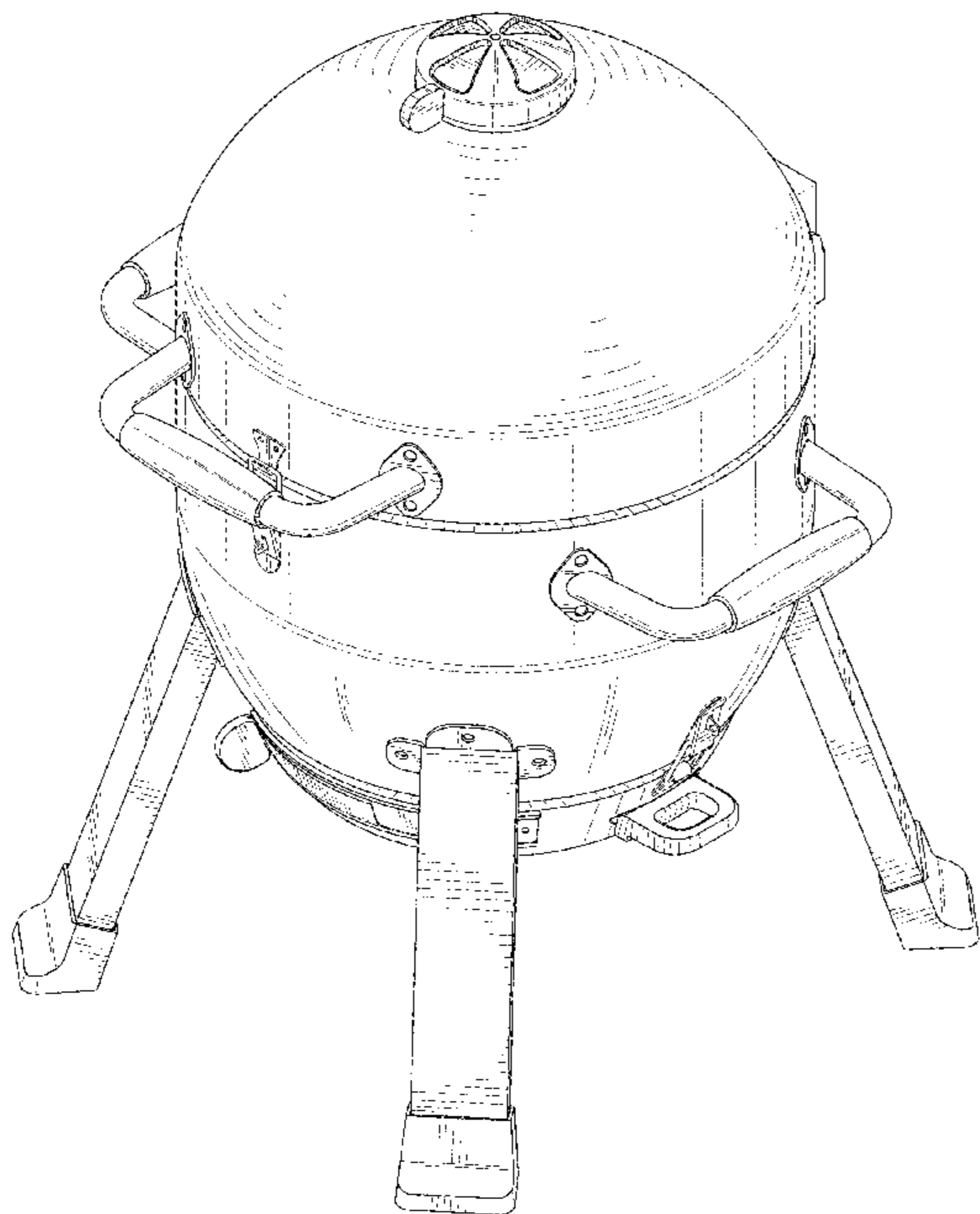
*Primary Examiner* — Ruth McInroy

(57) **CLAIM**  
I claim the ornamental design for a barbecue grill, as shown and described.

**DESCRIPTION**

FIG. 1 is a perspective view of a barbecue grill, showing my new design;  
FIG. 2 is a front elevational view thereof;  
FIG. 3 is a rear elevational view thereof;  
FIG. 4 is a left side elevational view thereof;  
FIG. 5 is a right side elevational view thereof;  
FIG. 6 is a top plan view thereof; and,  
FIG. 7 is a bottom plan view thereof.

**1 Claim, 7 Drawing Sheets**



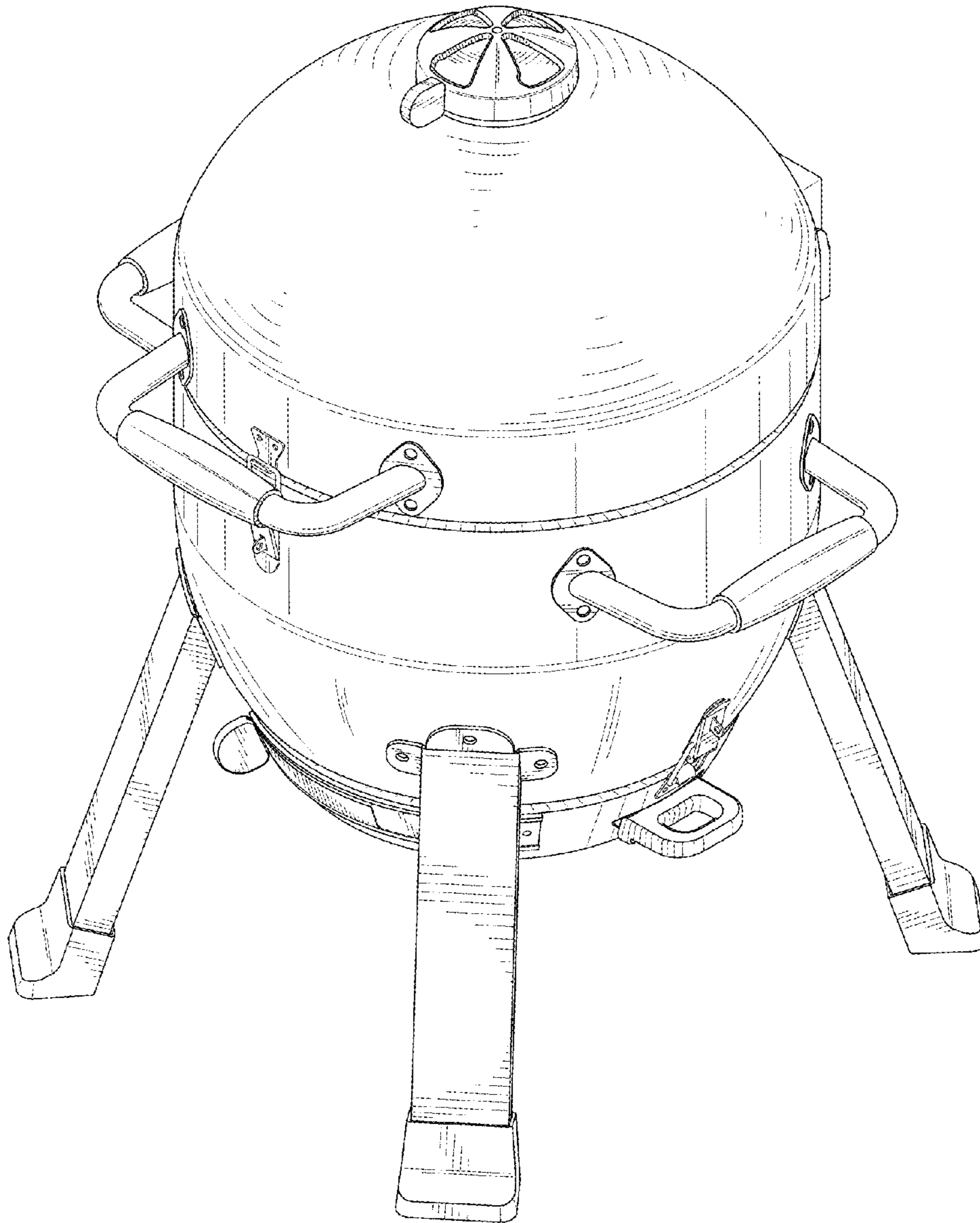


FIG.1

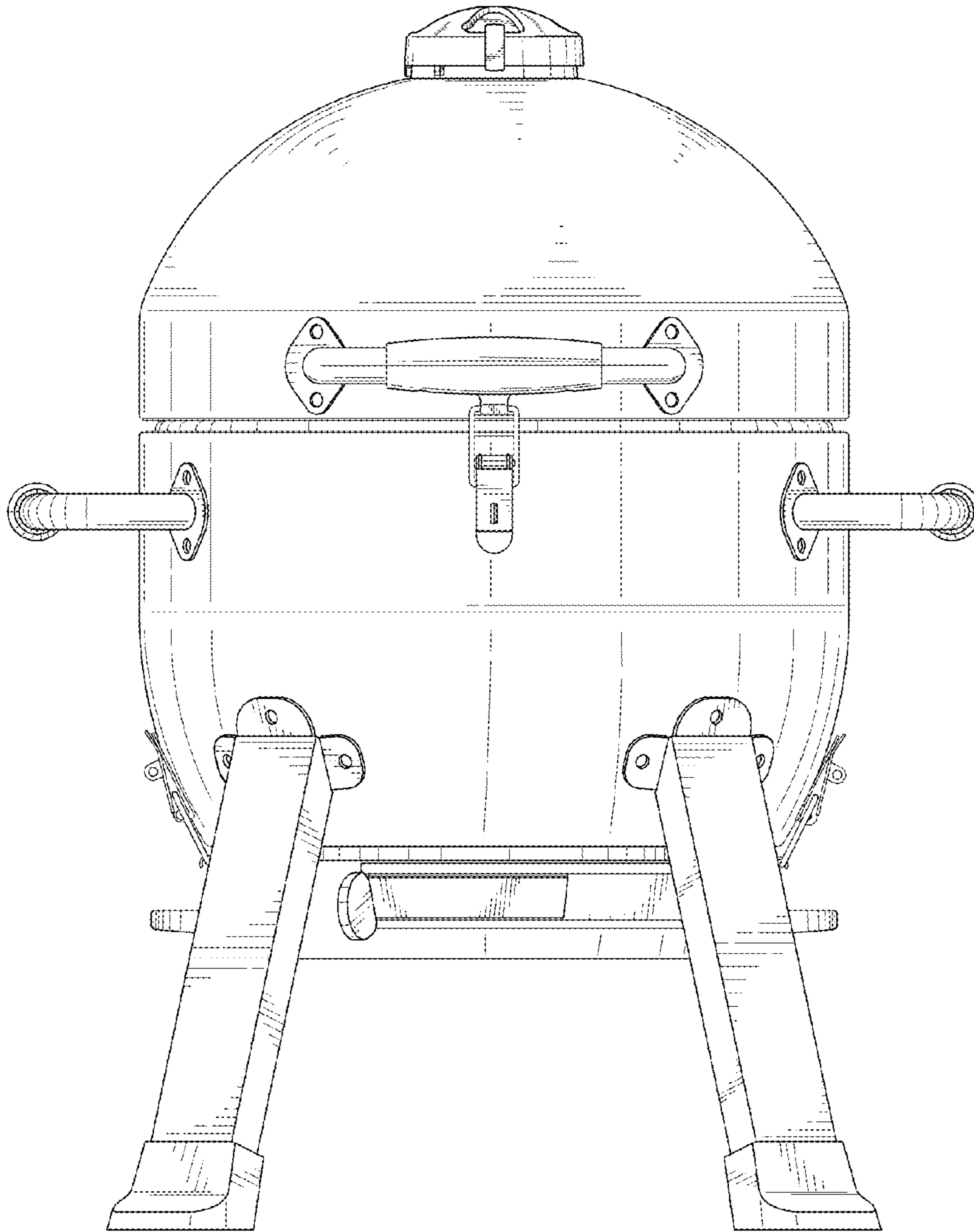


FIG.2

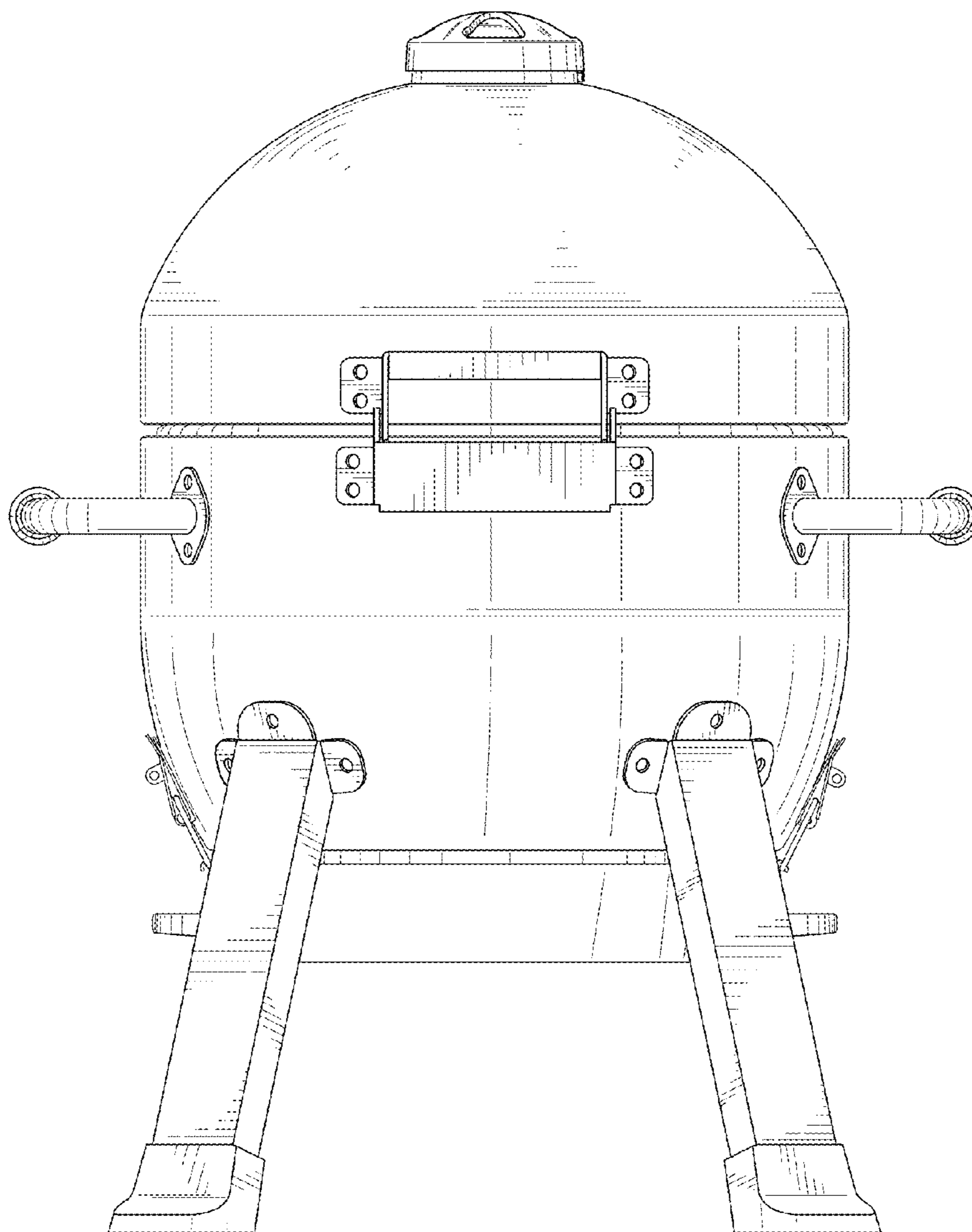


FIG.3

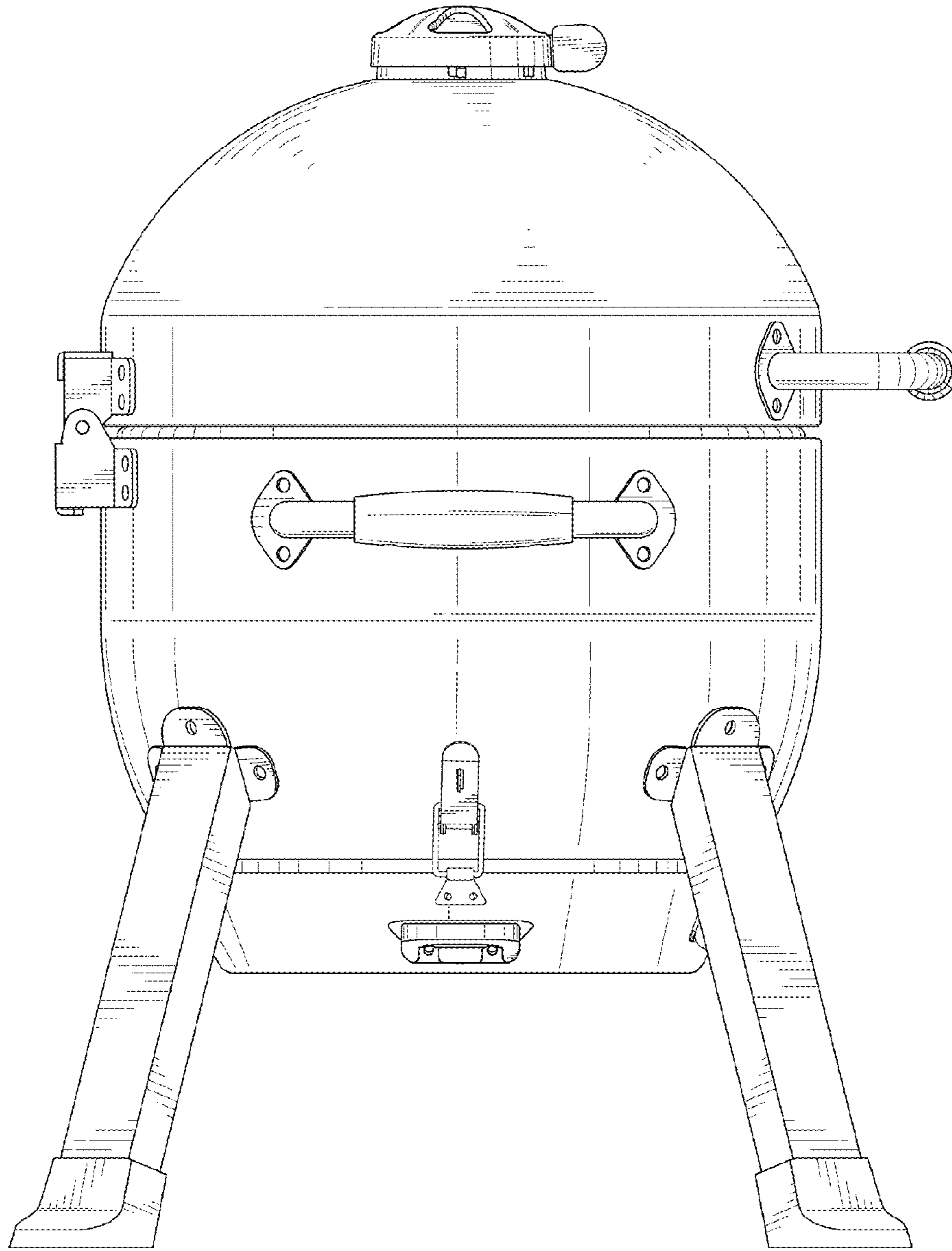


FIG.4

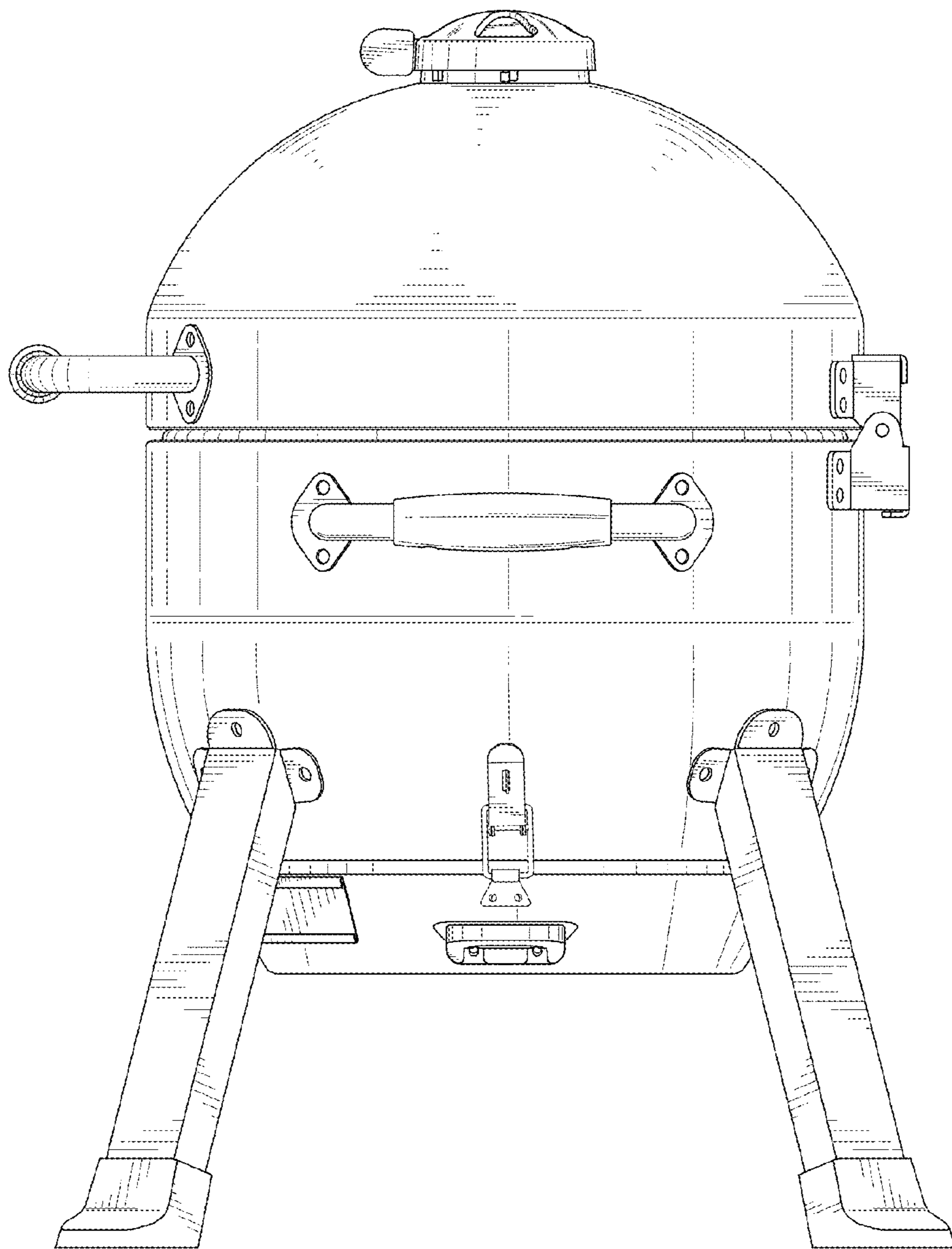


FIG.5

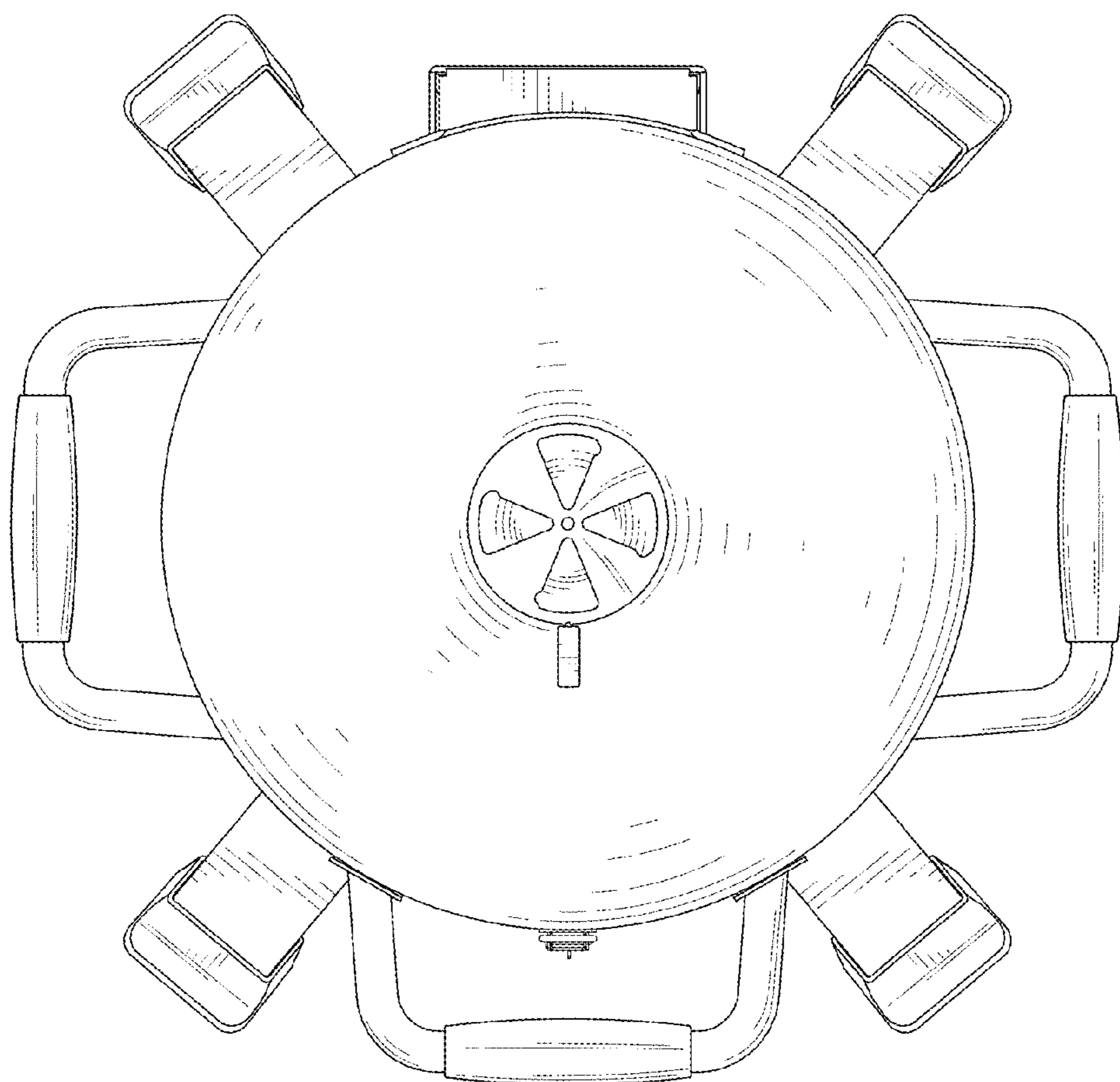


FIG.6

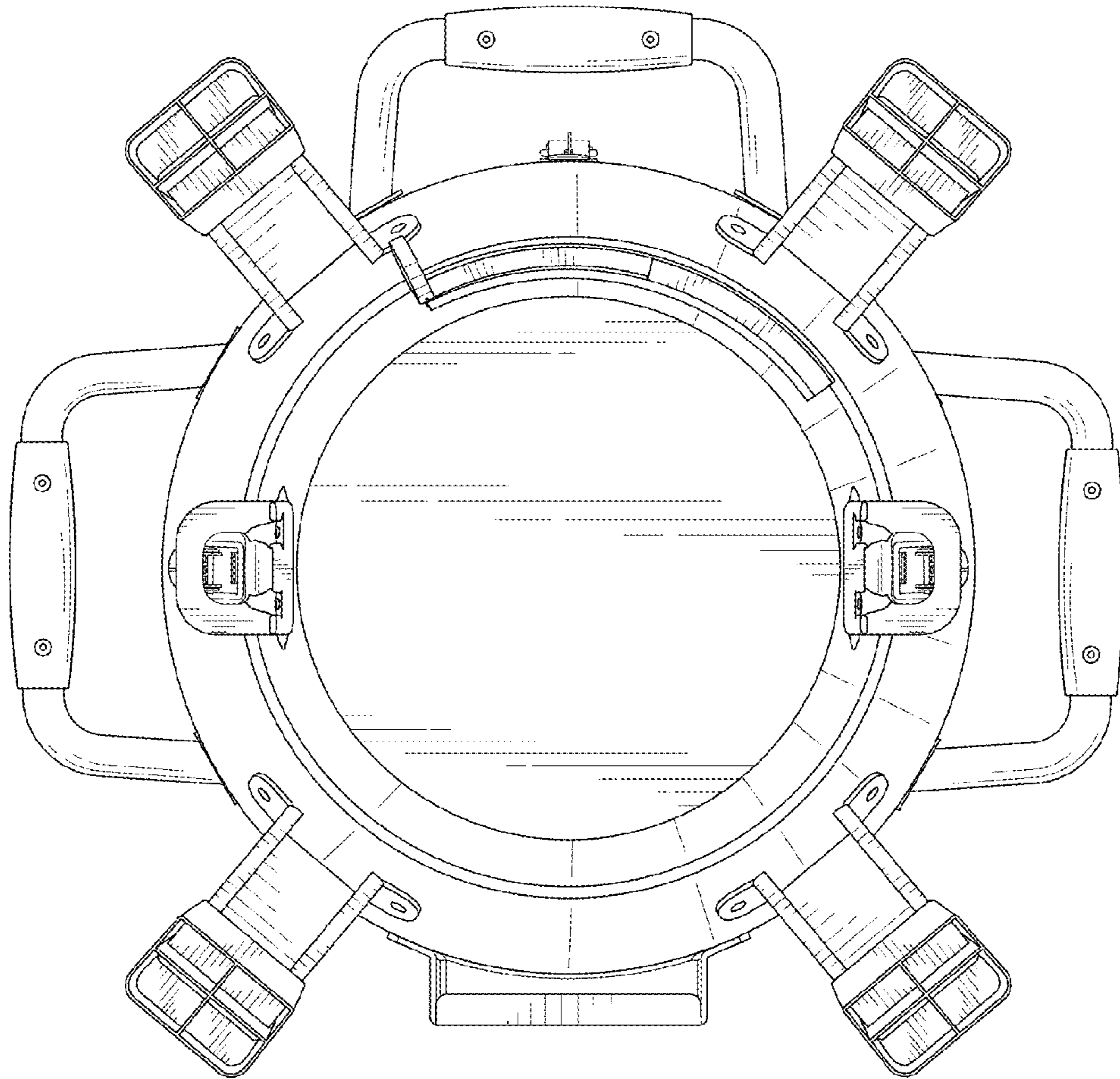


FIG.7