

US00D747618S

(12) **United States Design Patent**
Berkowitz

(10) **Patent No.:** **US D747,618 S**
(45) **Date of Patent:** **** Jan. 19, 2016**

- (54) **PORTABLE TABLE**
- (71) Applicant: **Daniel Berkowitz**, Devon, PA (US)
- (72) Inventor: **Daniel Berkowitz**, Devon, PA (US)
- (**) Term: **14 Years**
- (21) Appl. No.: **29/521,087**
- (22) Filed: **Mar. 19, 2015**

6,505,565	B1	1/2003	Byung et al.	
6,662,732	B2	12/2003	Birsel et al.	
D498,088	S	11/2004	Tsang	
6,889,618	B1	5/2005	Gromack	
6,929,230	B2	8/2005	Tsai	
D511,911	S *	11/2005	Light et al.	D6/691.6
6,997,111	B2	2/2006	Giegerich	
7,131,364	B2	11/2006	Brazell	
D536,394	S *	2/2007	Meoli et al.	D21/397
7,765,941	B2	8/2010	Chen	
8,327,774	B1	12/2012	Rivera	
8,424,470	B2	4/2013	Volin	
D725,949	S *	4/2015	Berkowitz	D6/692.4
2003/0094123	A1	5/2003	Ulmer	
2004/0051009	A1	3/2004	Chen	
2004/0084581	A1	5/2004	Chang	
2005/0199162	A1	9/2005	Hendricks et al.	
2008/0178776	A1	7/2008	Arias et al.	
2009/0241811	A1	10/2009	Markegard et al.	

Related U.S. Application Data

- (62) Division of application No. 29/449,767, filed on Mar. 15, 2013, now Pat. No. Des. 725,949.
- (51) **LOC (10) Cl.** **06-06**
- (52) **U.S. Cl.**
USPC **D6/707.2**
- (58) **Field of Classification Search**
USPC D6/692, 692.3, 692.4, 692.6, 691.6,
D6/707, 707.2; 108/50.11, 25, 153.1, 156,
108/157.1, 161; 248/188, 188.1, 188.8;
D21/397, 522
See application file for complete search history.

* cited by examiner

Primary Examiner — Janice Seeger

(74) *Attorney, Agent, or Firm* — John F. A. Earley, III; Frank J. Bonini, Jr.; Harding, Earley, Follmer & Frailey, P.C.

(57) **CLAIM**

The ornamental design for a portable table, as shown and described.

(56) **References Cited**

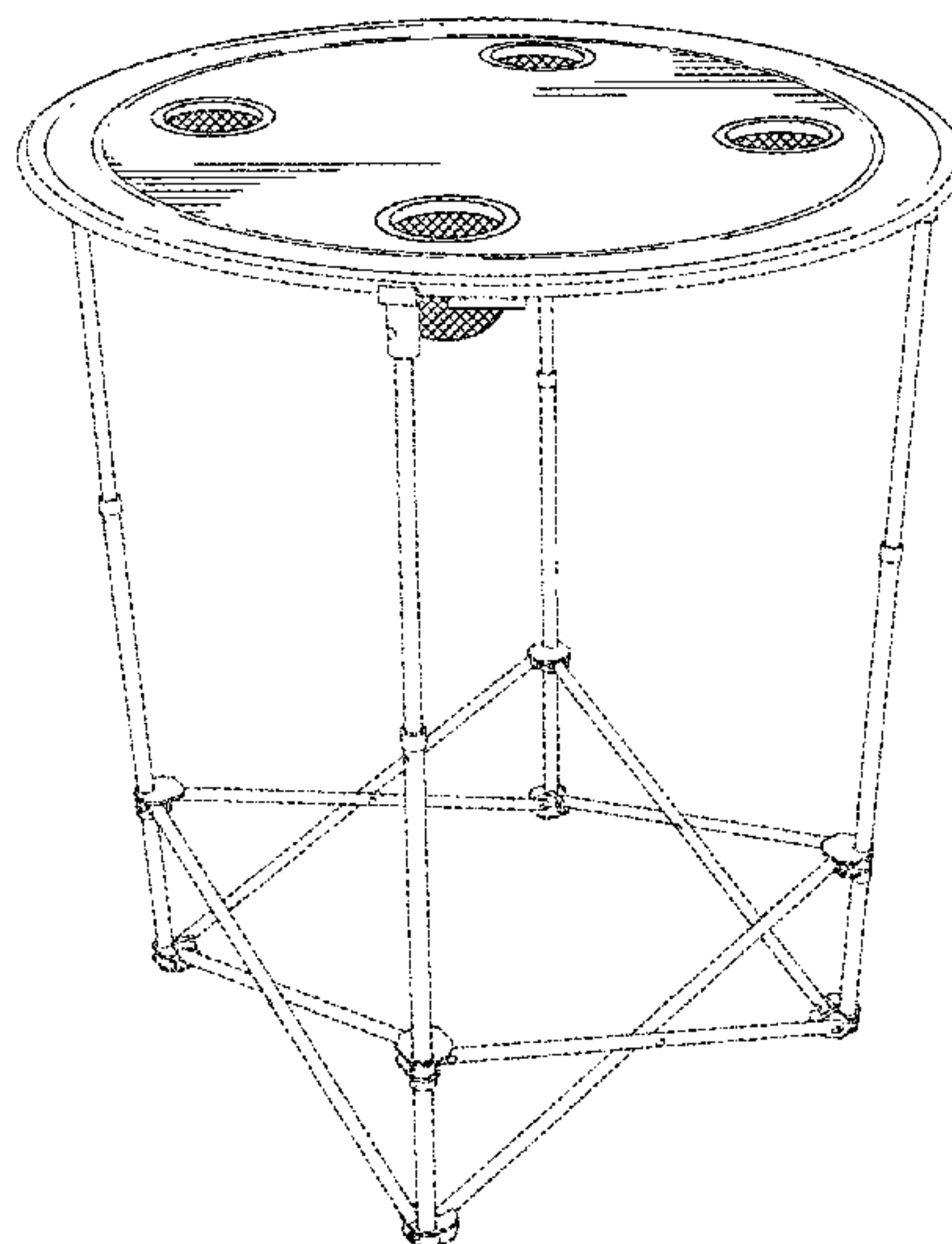
U.S. PATENT DOCUMENTS

4,122,780	A	10/1978	Brickman	
D252,659	S *	8/1979	Brickman	D6/682.2
4,625,655	A *	12/1986	Brickman	108/25
5,421,273	A	6/1995	Lin	
D387,583	S *	12/1997	Shear	D21/522
5,865,127	A	2/1999	Carter	
5,884,566	A	3/1999	Chen	
5,913,269	A *	6/1999	Franssen et al.	108/25
6,073,894	A	6/2000	Chen	
6,158,361	A	12/2000	Zheng et al.	
6,199,489	B1	3/2001	Tsai	
6,234,089	B1	5/2001	Zheng et al.	
6,283,045	B1	9/2001	Izumi	
6,439,133	B1	8/2002	Jaramillo	

DESCRIPTION

FIG. 1 is a perspective view of a portable table according to my new design, shown with the frame in broken line representation and forming no part of the design;
 FIG. 2 is a front elevation view thereof, the rear elevation view thereof being the same as the front;
 FIG. 3 is a right side elevation view thereof, the left side elevation view thereof being the same as the right;
 FIG. 4 is a top plan view thereof; and,
 FIG. 5 is a bottom plan view thereof.
 The broken lines in FIGS. 1-5 are for illustrative purposes and form no part of the claimed invention.

1 Claim, 5 Drawing Sheets



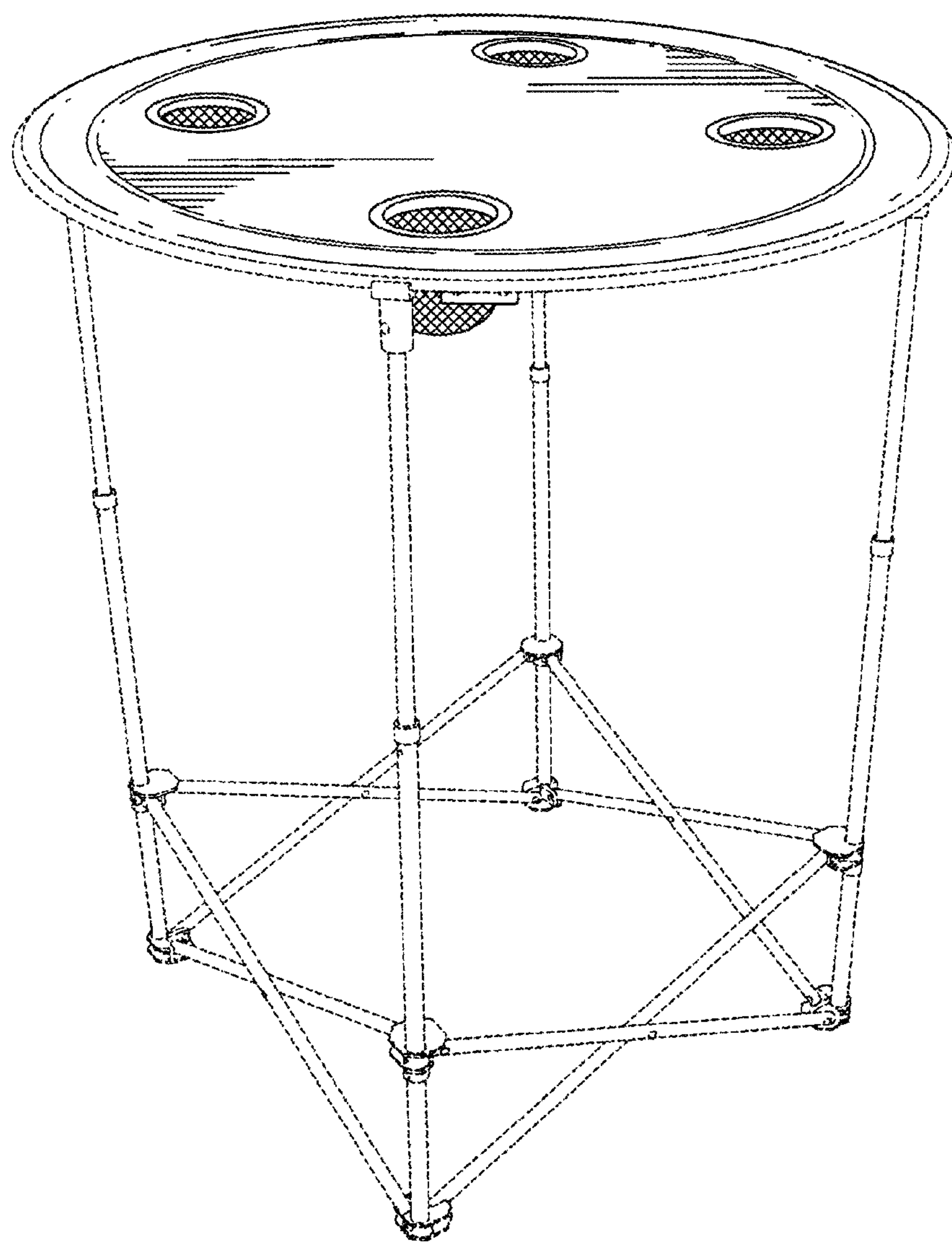


FIG. 1

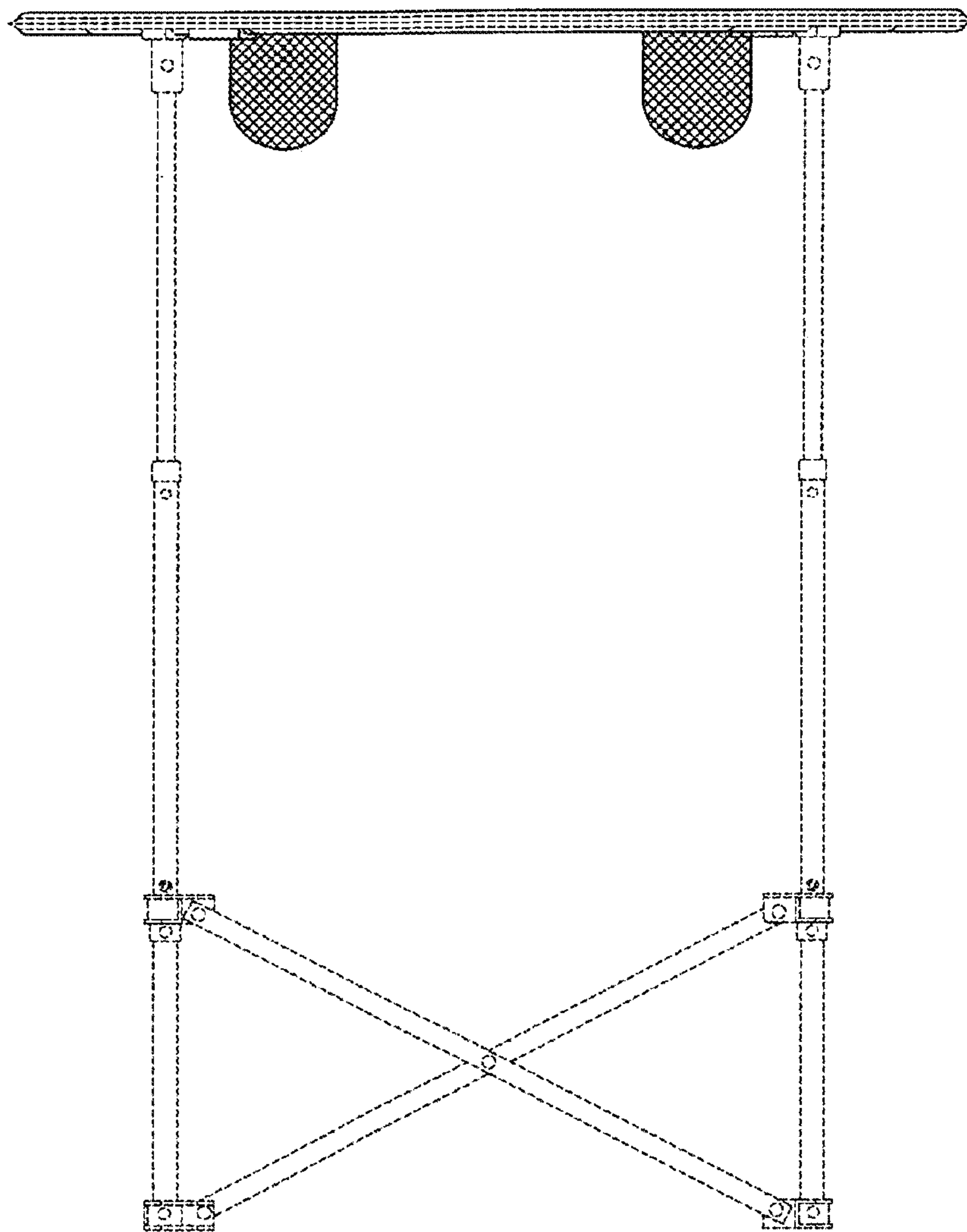


FIG. 2

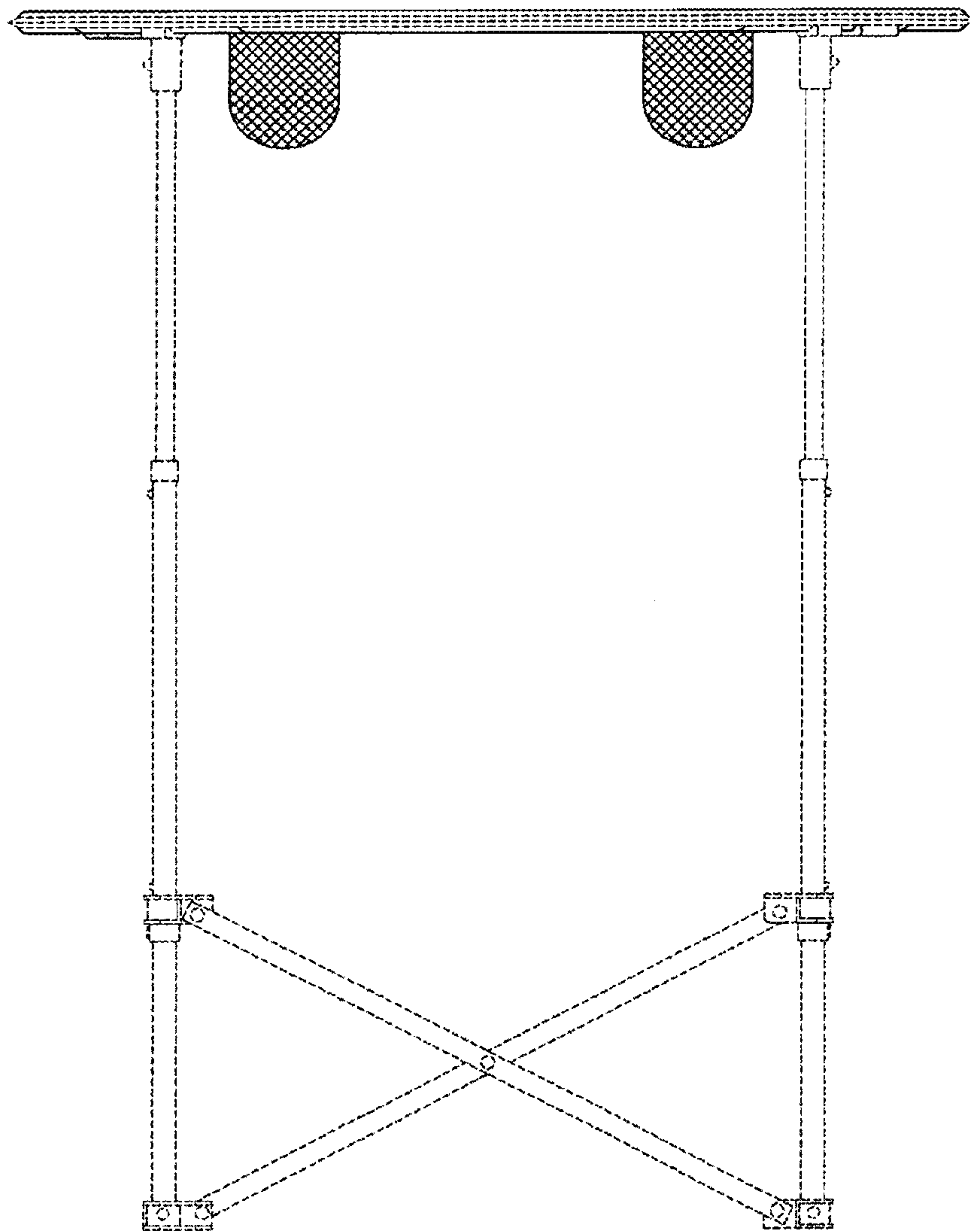


FIG. 3

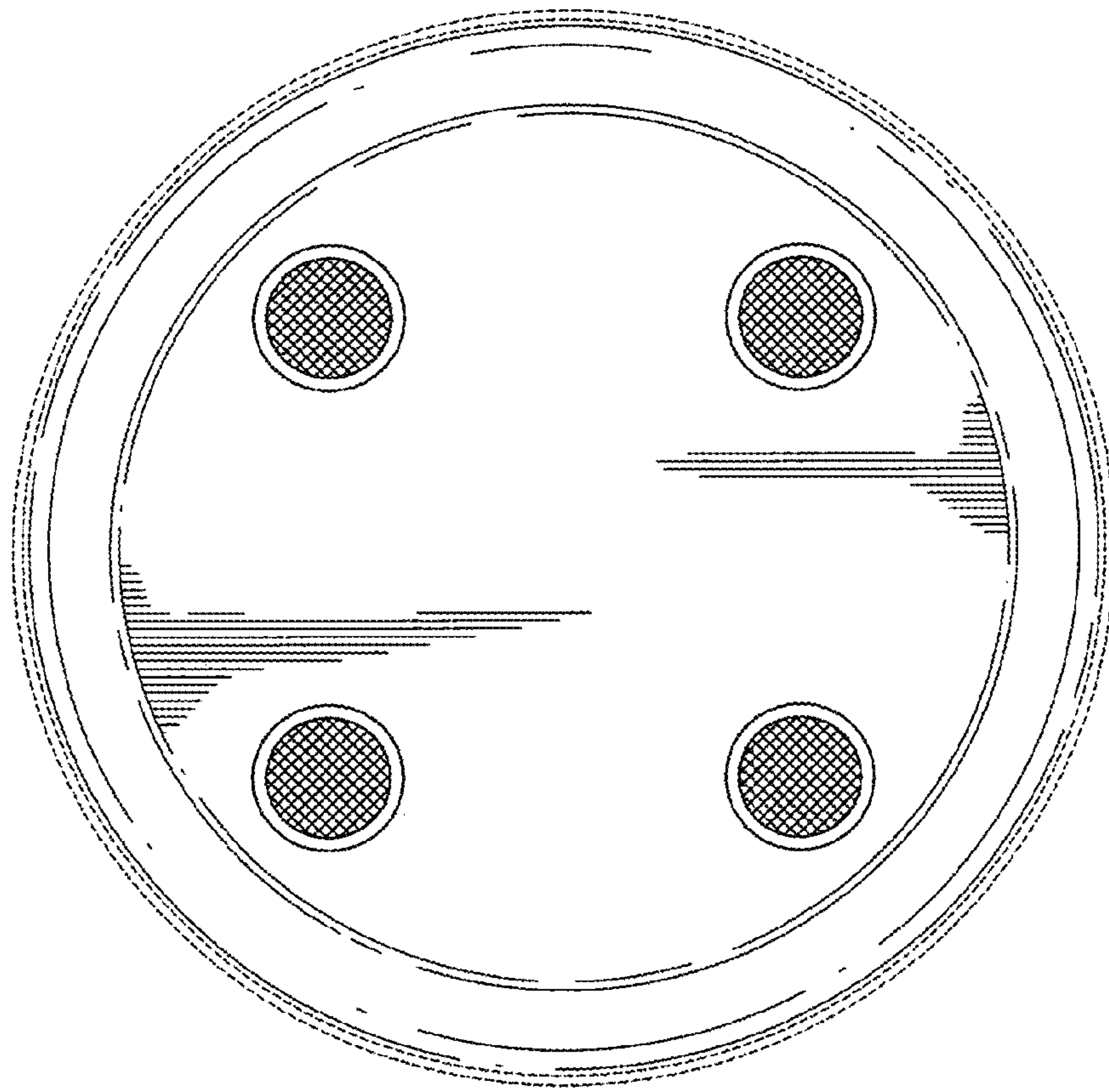


FIG. 4

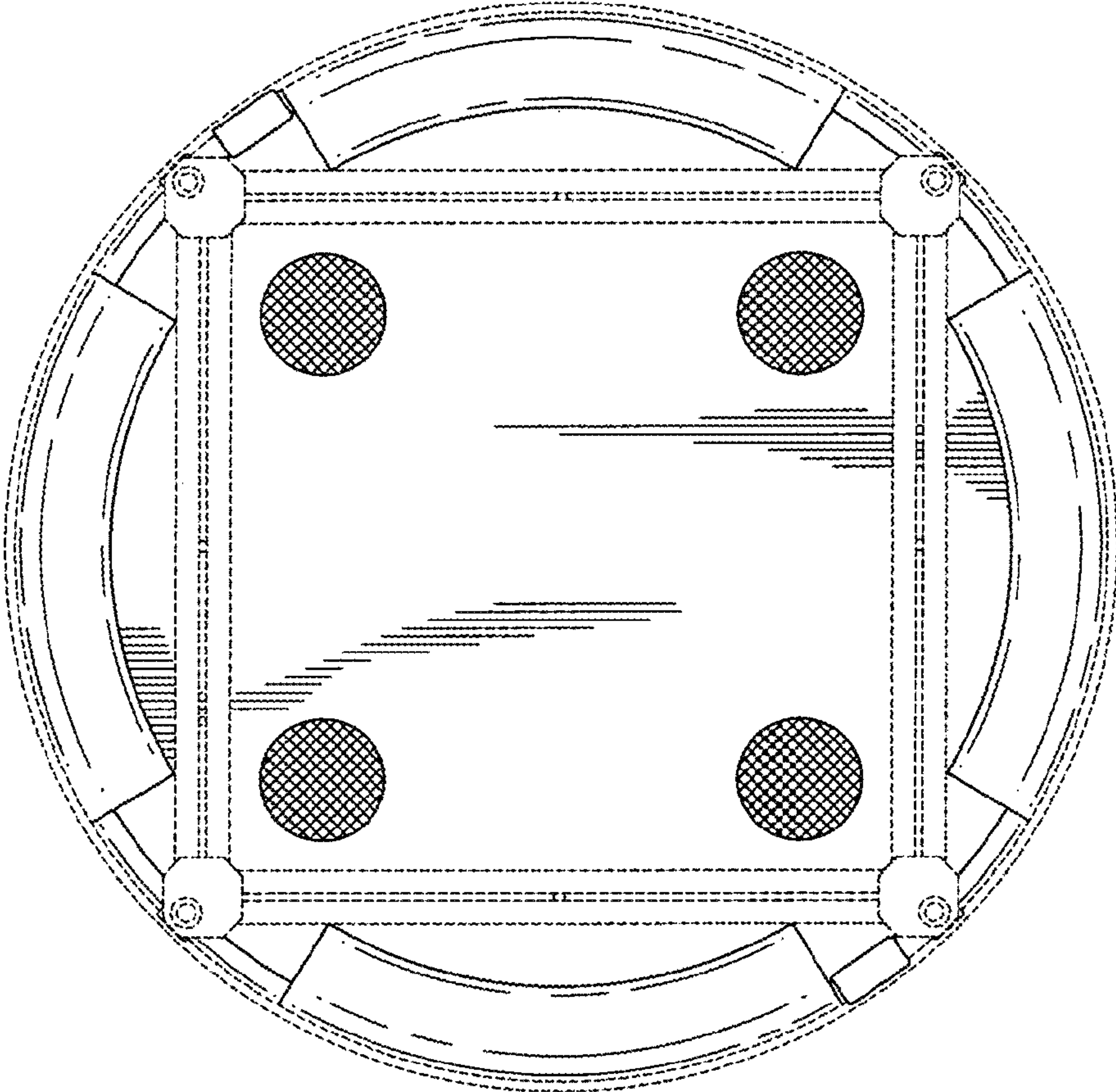


FIG.5