



US00D747616S

(12) **United States Design Patent**  
**Gholston**

(10) **Patent No.:** **US D747,616 S**  
(45) **Date of Patent:** **\*\* Jan. 19, 2016**

(54) **CONVERTIBLE CHAIR ADAPTER SLIP COVER**

(71) Applicant: **Michelle Gholston**, Bakersfield, CA  
(US)

(72) Inventor: **Michelle Gholston**, Bakersfield, CA  
(US)

(\*\*) Term: **14 Years**

(21) Appl. No.: **29/474,137**

(22) Filed: **Jun. 12, 2014**

(51) **LOC (10) Cl.** ..... **06-13**

(52) **U.S. Cl.**  
USPC ..... **D6/611**

(58) **Field of Classification Search**  
USPC ..... D6/610, 611, 596, 601, 602, 603, 615,  
D6/617, 621; D7/332, 334-337;  
D12/401-405  
CPC ..... B62J 19/00; B62J 1/18; B62J 1/20;  
B62J 1/22; B62J 1/24; B62J 1/26; B62J 1/28  
See application file for complete search history.

(56) **References Cited**

**U.S. PATENT DOCUMENTS**

- 6,055,686 A \* 5/2000 Knight ..... A47G 9/068  
2/69.5
- 6,782,560 B1 \* 8/2004 Ascherl ..... A41D 13/1263  
2/456
- D518,942 S \* 4/2006 Dandrea ..... D2/719

- 7,178,185 B1 \* 2/2007 Nattler ..... A41D 15/04  
2/84
- D555,409 S \* 11/2007 Wescott ..... D6/603
- 2004/0019969 A1 \* 2/2004 Gatten ..... A41B 13/06  
5/482
- 2009/0249526 A1 \* 10/2009 Carangelo ..... A47G 9/1045  
2/69.5

\* cited by examiner

*Primary Examiner* — Katrina A Betton

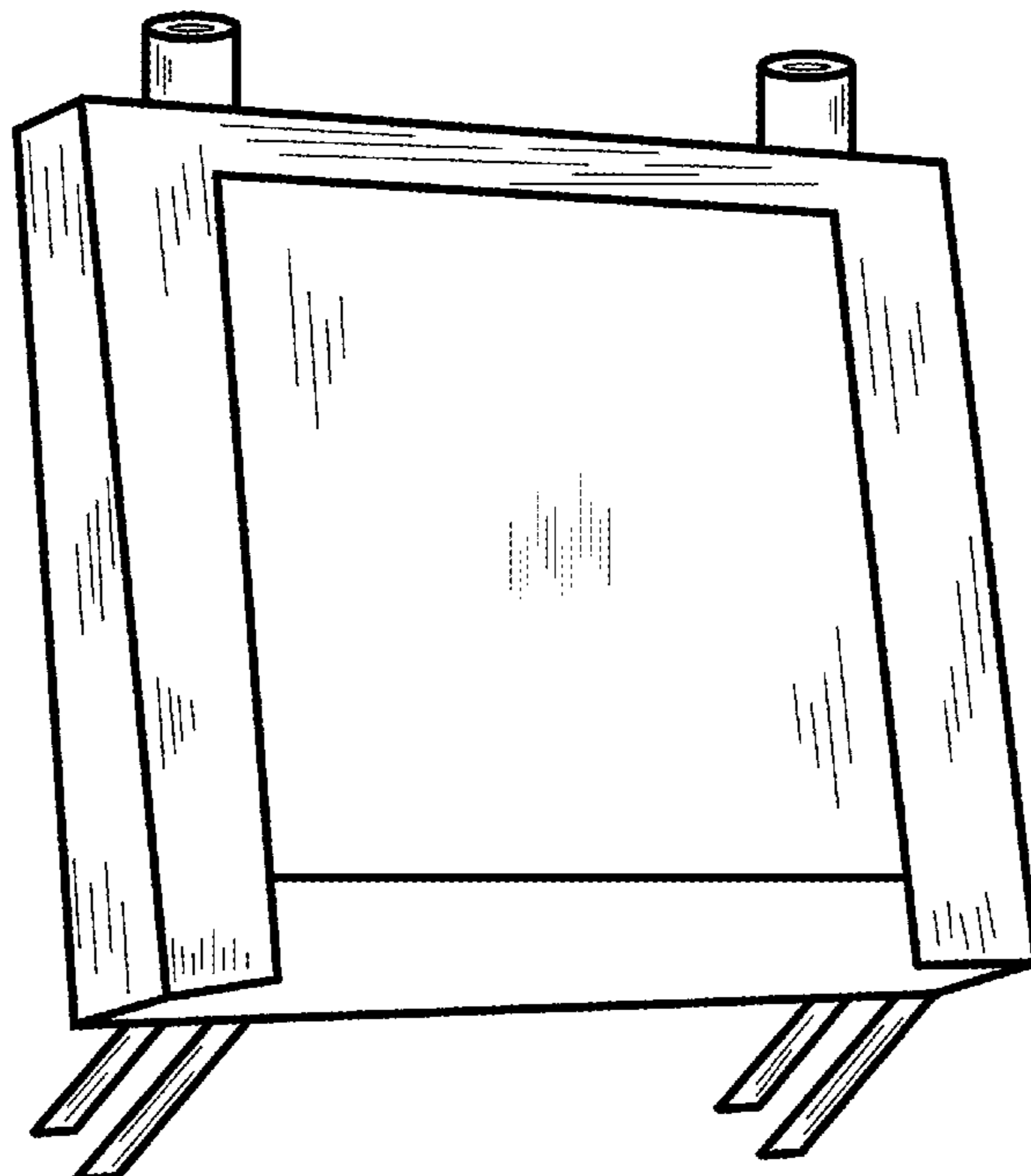
(57) **CLAIM**

I claim the ornamental design for a convertible chair adapter slipcover, as shown and described.

**DESCRIPTION**

FIG. 1 is a front perspective view of my new and original design for a convertible chair adapter slipcover;  
 FIG. 2 is a back elevated view thereof;  
 FIG. 3 is a top perspective view thereof;  
 FIG. 4 is a bottom perspective view thereof;  
 FIG. 5 is a left side plan view where in the right side is a mirror image thereof;  
 FIG. 6 is a front perspective view showing the convertible chair adapter slipcover in a position of use thereof; and,  
 FIG. 7 is a back perspective view showing the convertible chair adapter slipcover in a position of use.  
 The broken lines in FIG. 6 and FIG. 7 illustrate an adjustable convertible bicycle canopy and chair and form no part of the claimed design.

**1 Claim, 4 Drawing Sheets**



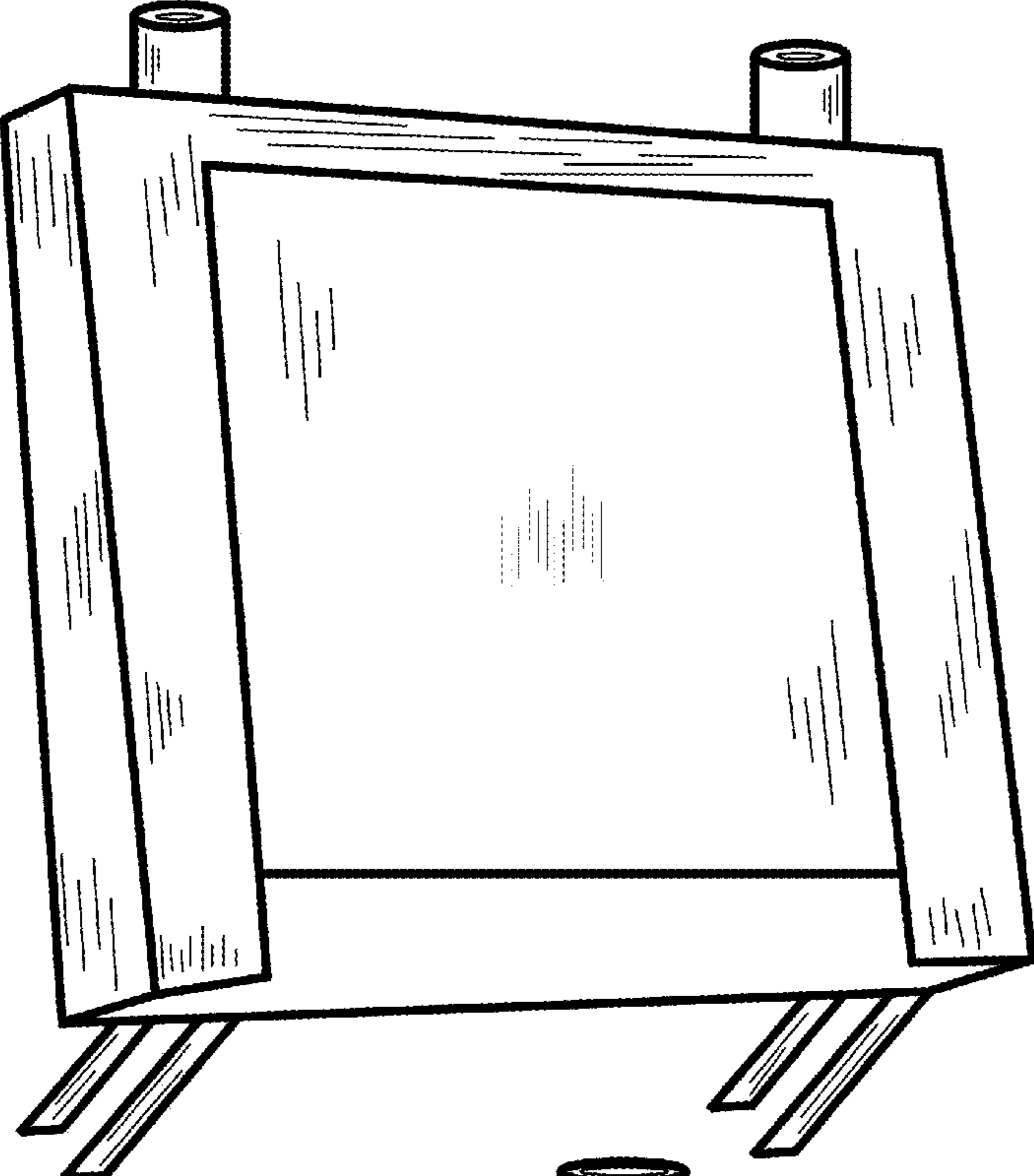


Fig. 1

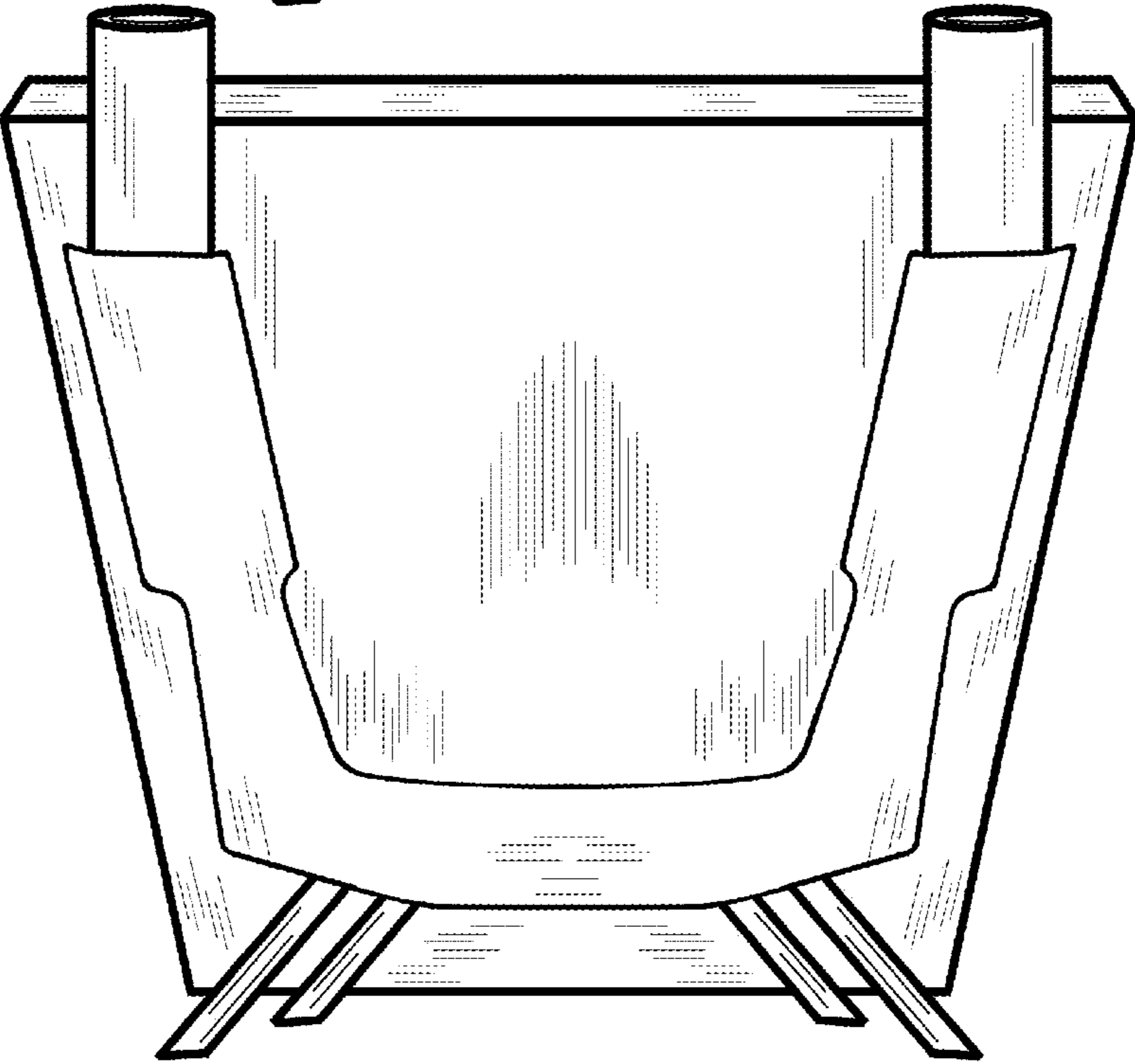


Fig. 2

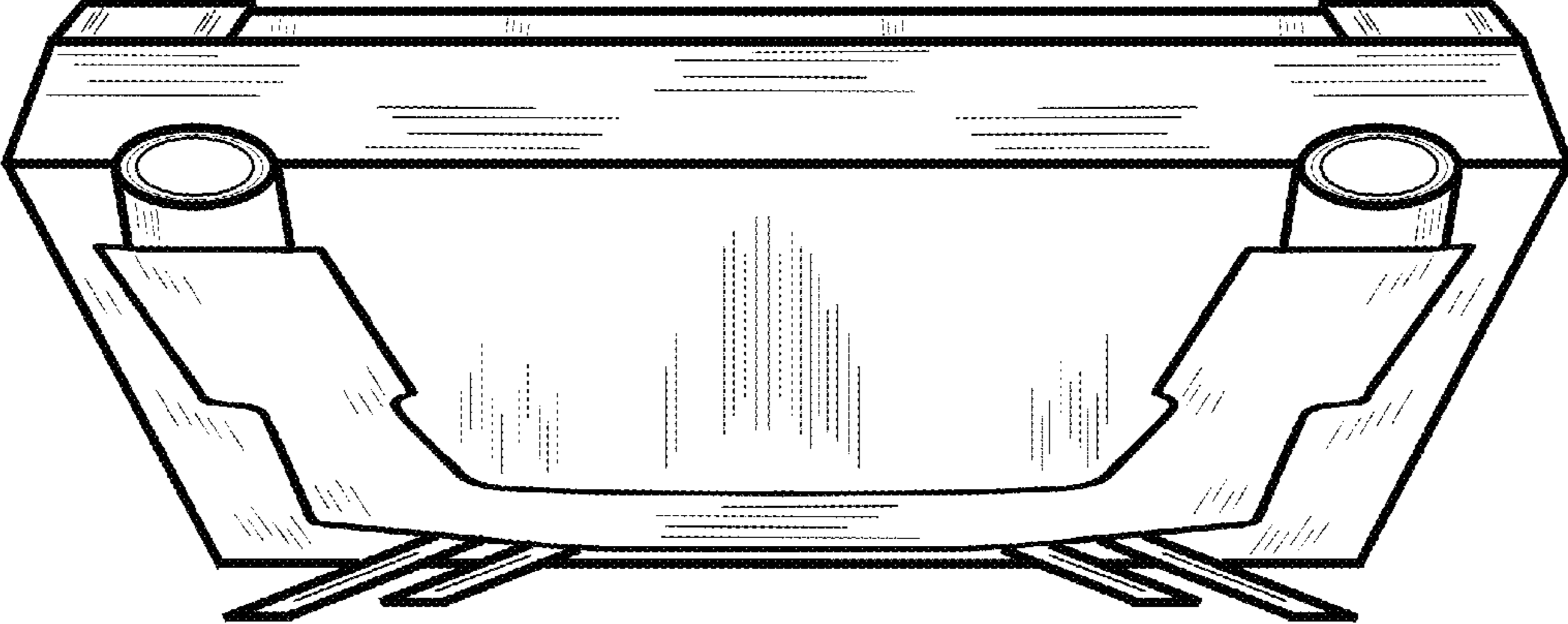


Fig. 3

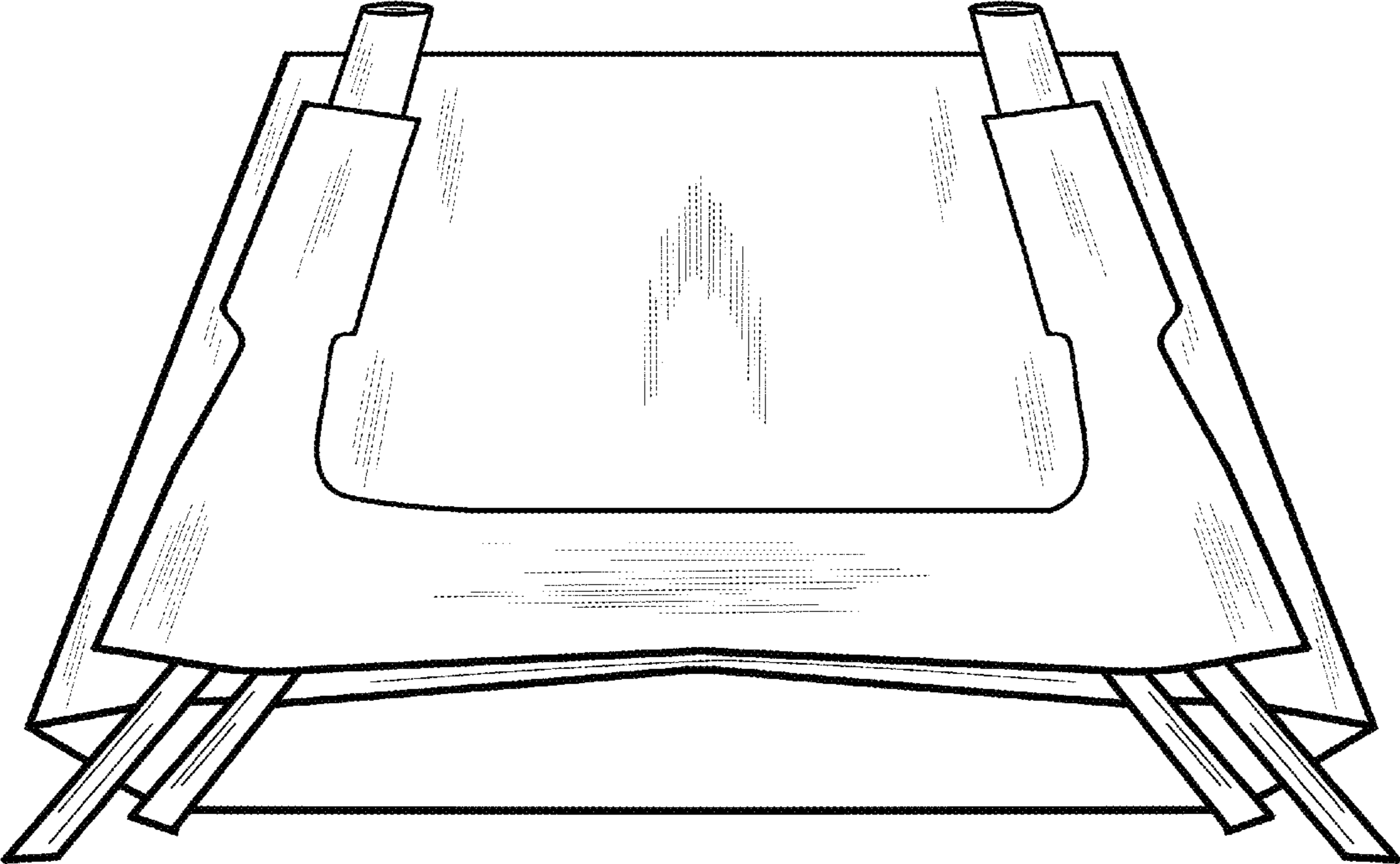


Fig. 4

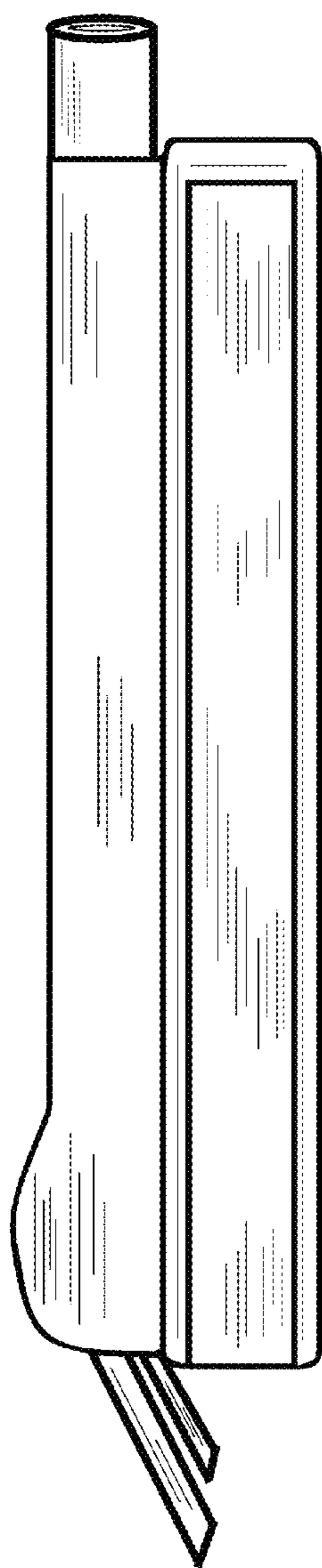


Fig. 5

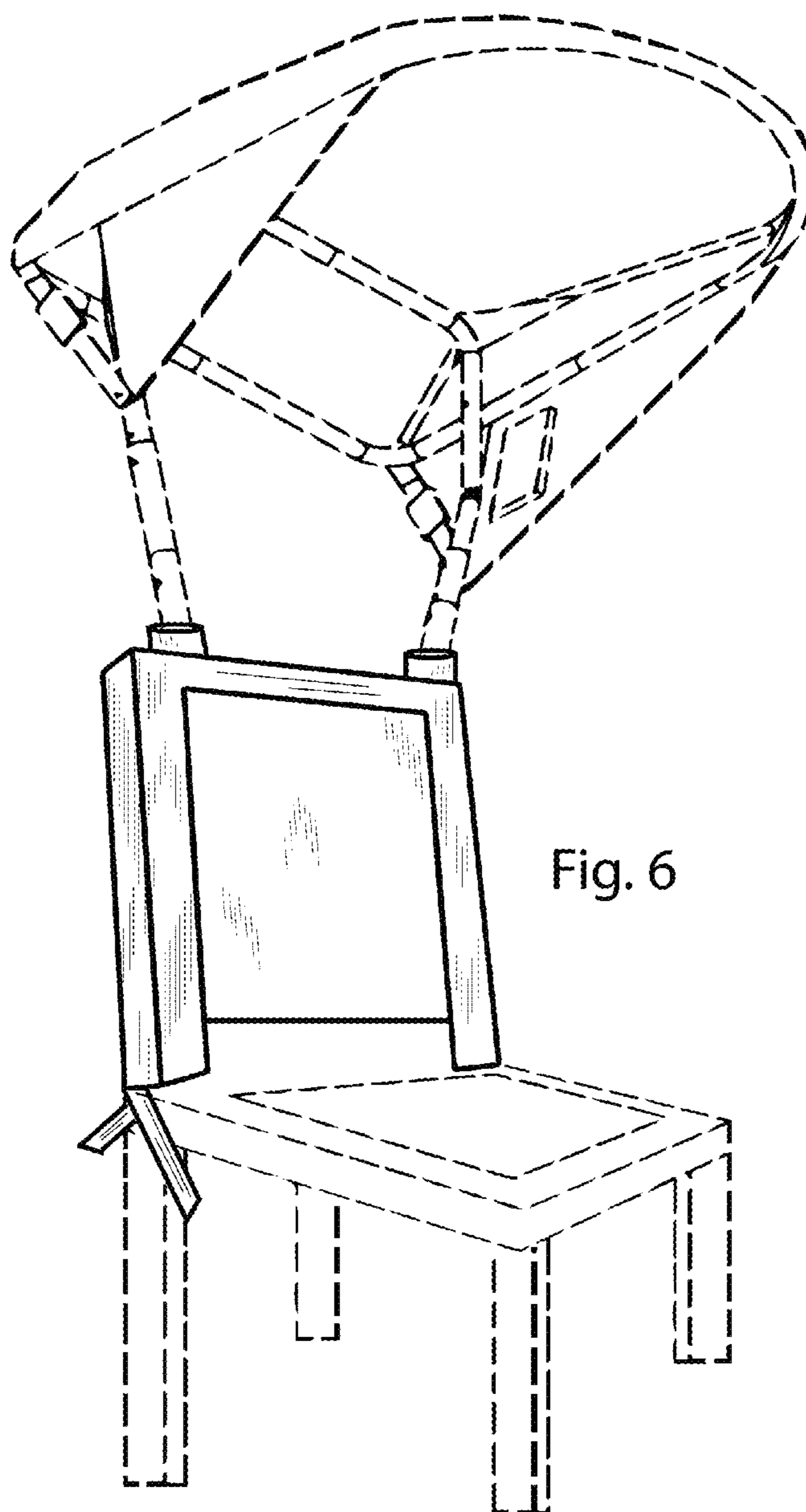


Fig. 6

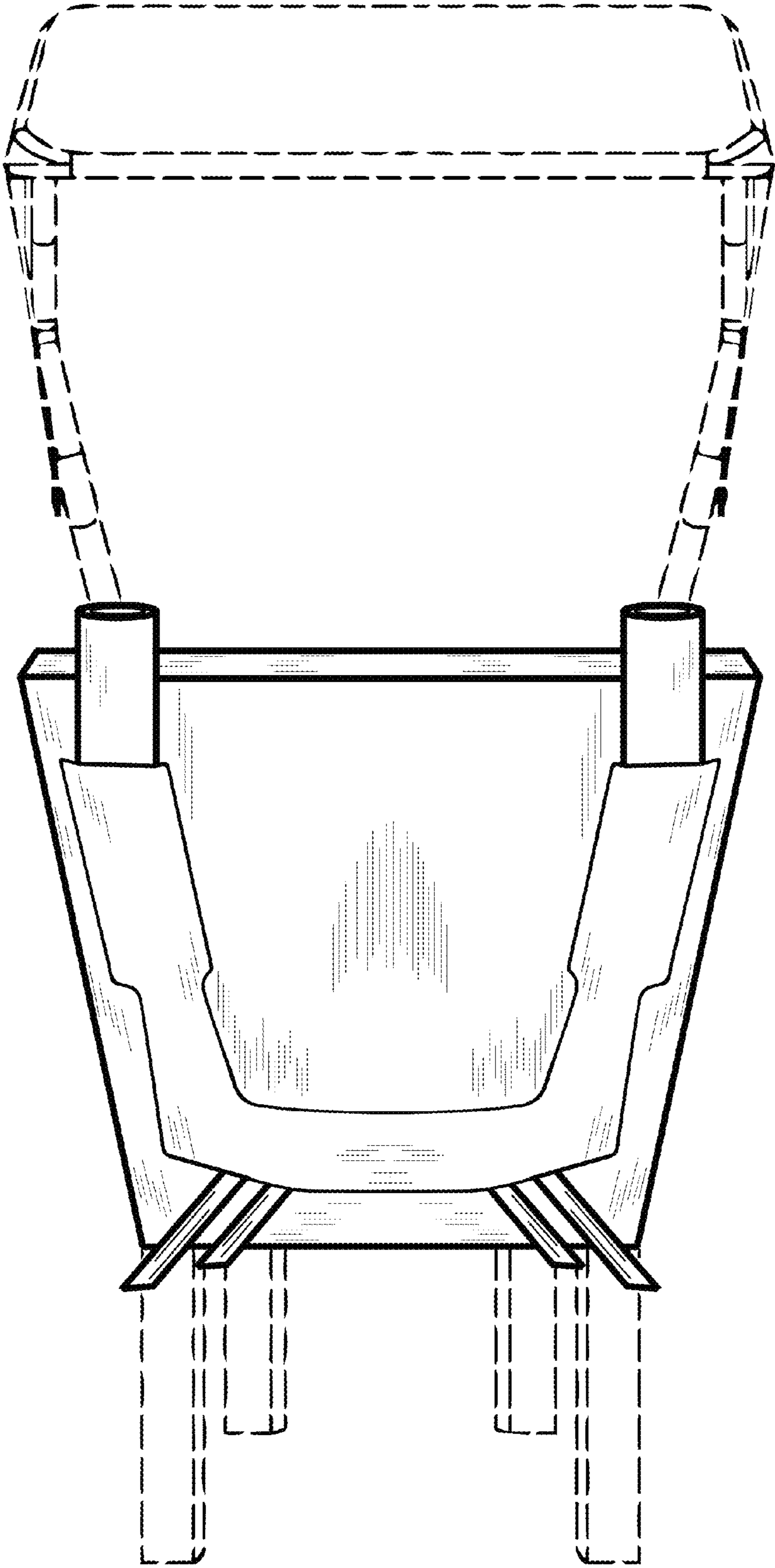


Fig. 7