



US00D747611S

(12) **United States Design Patent**  
**Haase et al.**

(10) **Patent No.:** **US D747,611 S**  
(45) **Date of Patent:** **\*\* Jan. 19, 2016**

(54) **SEATING**

(71) Applicants: **Ryan E. Haase**, Grand Rapids, MI (US);  
**Paul A. James**, Edina, MN (US)

(72) Inventors: **Ryan E. Haase**, Grand Rapids, MI (US);  
**Paul A. James**, Edina, MN (US)

(73) Assignee: **Grand Rapids Chair Company**, Grand  
Rapids, MI (US)

(\*\*) Term: **14 Years**

(21) Appl. No.: **29/486,619**

(22) Filed: **Apr. 1, 2014**

(51) **LOC (10) Cl.** ..... **06-01**

(52) **U.S. Cl.**  
USPC ..... **D6/380**

(58) **Field of Classification Search**

USPC ..... D6/334-336, 349, 360, 370, 371-373,  
D6/374, 375, 376, 379, 380, 716, 716.1,  
D6/716.2, 716.3, 716.4

CPC ..... A47C 3/04; A47C 4/06; A47C 5/046;  
A47C 7/54; A47C 4/025; A47C 7/021;  
A47C 7/18; A47C 9/007; A47C 4/00

See application file for complete search history.

(56) **References Cited**

**U.S. PATENT DOCUMENTS**

D106,440 S \* 10/1937 Jackson ..... D6/374  
D165,788 S \* 1/1952 Risom ..... D6/379  
D173,930 S \* 2/1955 Belden ..... D6/379

D193,657 S 9/1962 Van Buren  
D197,643 S 3/1964 Kramer  
3,134,622 A \* 5/1964 Leachman, Jr. .... A47C 4/00  
297/35

(Continued)

**OTHER PUBLICATIONS**

Commonly assigned U.S. Appl. No. 29/526,730, filed May 13, 2015,  
entitled Seating.

(Continued)

*Primary Examiner* — Mimoso De

(74) *Attorney, Agent, or Firm* — Gardner, Linn, Burkhardt &  
Flory, LLP

(57)

**CLAIM**

The ornamental design for the seating, substantially as shown  
and described.

**DESCRIPTION**

FIG. 1 is a perspective view of seating, according to a first  
embodiment of the present invention;

FIG. 2 is a front elevation view of the seating of FIG. 1;

FIG. 3 is a left-side elevation view of the seating of FIG. 1;

FIG. 4 is a rear elevation view of the seating of FIG. 1;

FIG. 5 is a right-side elevation view of the seating of FIG. 1;

FIG. 6 is a top plan view of the seating of FIG. 1;

FIG. 7 is a bottom plan view of the seating of FIG. 1;

FIG. 8 is a perspective view of the seating, according to a  
second embodiment of the present invention;

FIG. 9 is a front elevation view of the seating of FIG. 8;

FIG. 10 is a left-side elevation view of the seating of FIG. 8;

FIG. 11 is a rear elevation view of the seating of FIG. 8;

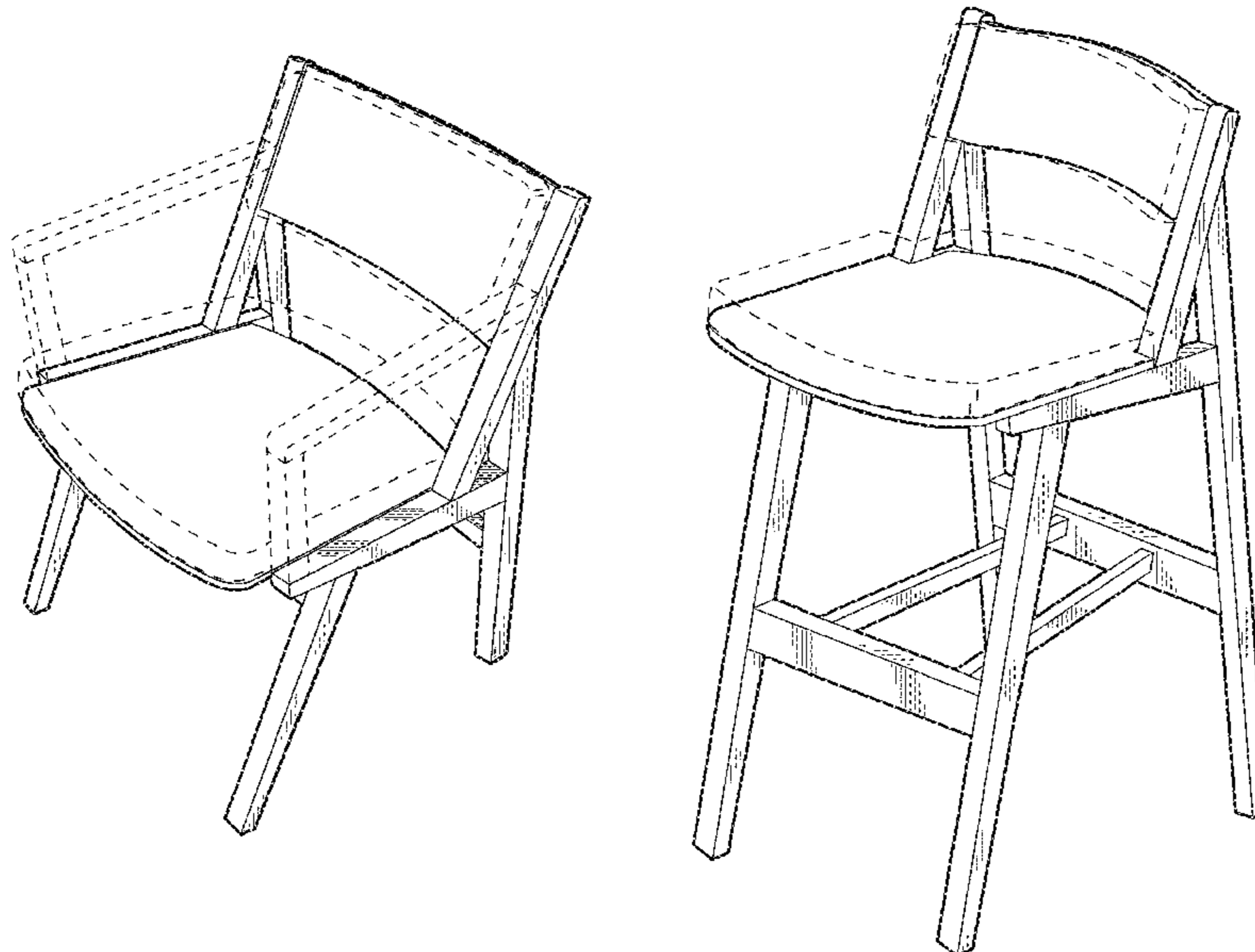
FIG. 12 is a right-side elevation view of the seating of FIG. 8;

FIG. 13 is a top plan view of the seating of FIG. 8; and,

FIG. 14 is a bottom plan view of the seating of FIG. 8.

The broken lines shown are included for the purpose of illus-  
trating environment of the design and form no part of the  
claimed design.

**1 Claim, 12 Drawing Sheets**



(56)

References Cited

U.S. PATENT DOCUMENTS

D202,549 S 10/1965 Kramer  
 D202,550 S 10/1965 Kramer  
 D204,451 S \* 4/1966 Straits et al. .... D6/379  
 D223,244 S 4/1972 Prashker  
 D239,988 S 5/1976 Dittert  
 D240,780 S 8/1976 Dittert  
 4,032,190 A 6/1977 Muller-Deisig et al.  
 D255,183 S 6/1980 Locher  
 D255,293 S 6/1980 Locher  
 D268,799 S 5/1983 Feldberg  
 D269,232 S \* 6/1983 Benveniste ..... D6/379  
 D272,393 S 1/1984 Klier  
 D279,155 S 6/1985 Aronowitz et al.  
 D292,050 S \* 9/1987 Giordano ..... D6/380  
 D307,221 S 4/1990 Mudge  
 D339,940 S 10/1993 Balderi et al.  
 D346,911 S 5/1994 Lucci et al.  
 D358,722 S \* 5/1995 Newman ..... D6/379  
 D372,132 S 7/1996 Infanti  
 D375,848 S 11/1996 Grosfillex  
 D381,828 S 8/1997 Kemnitzer  
 D422,806 S 4/2000 Neil  
 D512,236 S 12/2005 Preisig  
 D512,238 S 12/2005 Chen  
 D524,071 S 7/2006 Brooks  
 D531,420 S 11/2006 Kita  
 D544,228 S 6/2007 Bartlmae  
 D559,570 S 1/2008 Higgs et al.  
 D566,979 S 4/2008 Cox et al.  
 D572,049 S 7/2008 Kerr  
 D572,928 S 7/2008 Rittfeldt et al.

D582,692 S 12/2008 Kerr  
 D597,757 S 8/2009 Barbieri  
 D597,758 S 8/2009 Barrett et al.  
 D609,036 S 2/2010 Miller et al.  
 D611,740 S 3/2010 Koh  
 D617,567 S \* 6/2010 Stiker Metral ..... D6/360  
 D643,652 S 8/2011 Piretti  
 D644,849 S 9/2011 Sienkowski et al.  
 D646,087 S 10/2011 Miller et al.  
 D648,566 S 11/2011 Sienkowski et al.  
 D654,279 S \* 2/2012 Barile ..... D6/360  
 8,112,868 B2 2/2012 Miller  
 D659,424 S 5/2012 Gramza et al.  
 D659,444 S 5/2012 James  
 D663,131 S 7/2012 Barefoot et al.  
 D672,975 S 12/2012 Rashid  
 D683,558 S 6/2013 Rada et al.  
 D686,836 S 7/2013 Mascetti et al.  
 D707,461 S 6/2014 Rada et al.  
 D720,942 S \* 1/2015 Schweikarth ..... D6/379  
 2009/0212607 A1 8/2009 Kaloustian et al.  
 2011/0278889 A1 11/2011 Sienkowski et al.

OTHER PUBLICATIONS

Commonly assigned U.S. Appl. No. 29/515,469, filed Jan. 23, 2015, entitled Chair.  
 Commonly assigned U.S. Appl. No. 29/454,332, filed May 9, 2013, entitled Chair and Ottoman.  
 Commonly assigned U.S. Appl. No. 29/457,431, filed Jun. 10, 2013, entitled Chair.  
 Commonly assigned U.S. Appl. No. 29/488,533 filed Apr. 21, 2014, entitled Seating.

\* cited by examiner

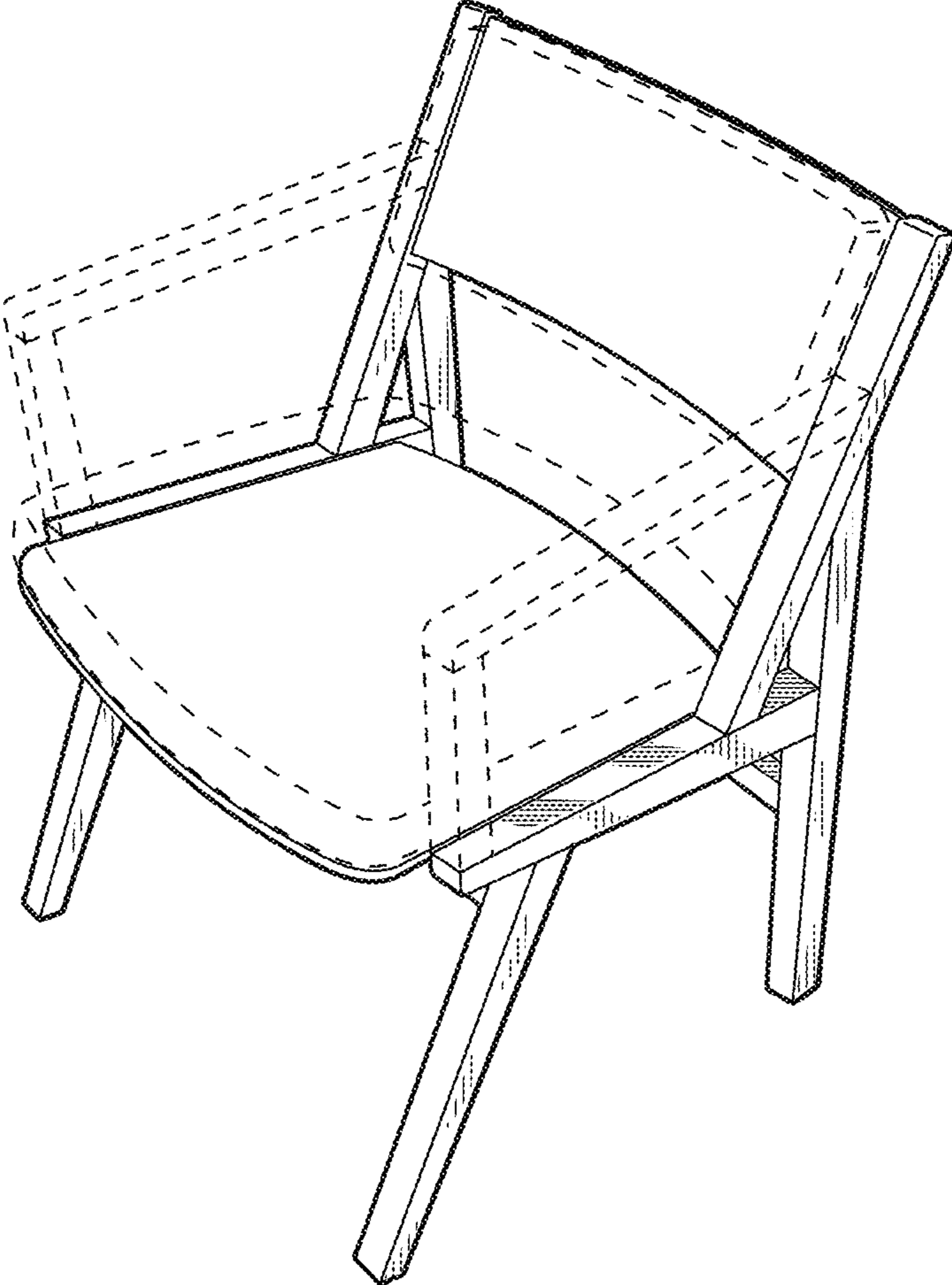


FIG. 1

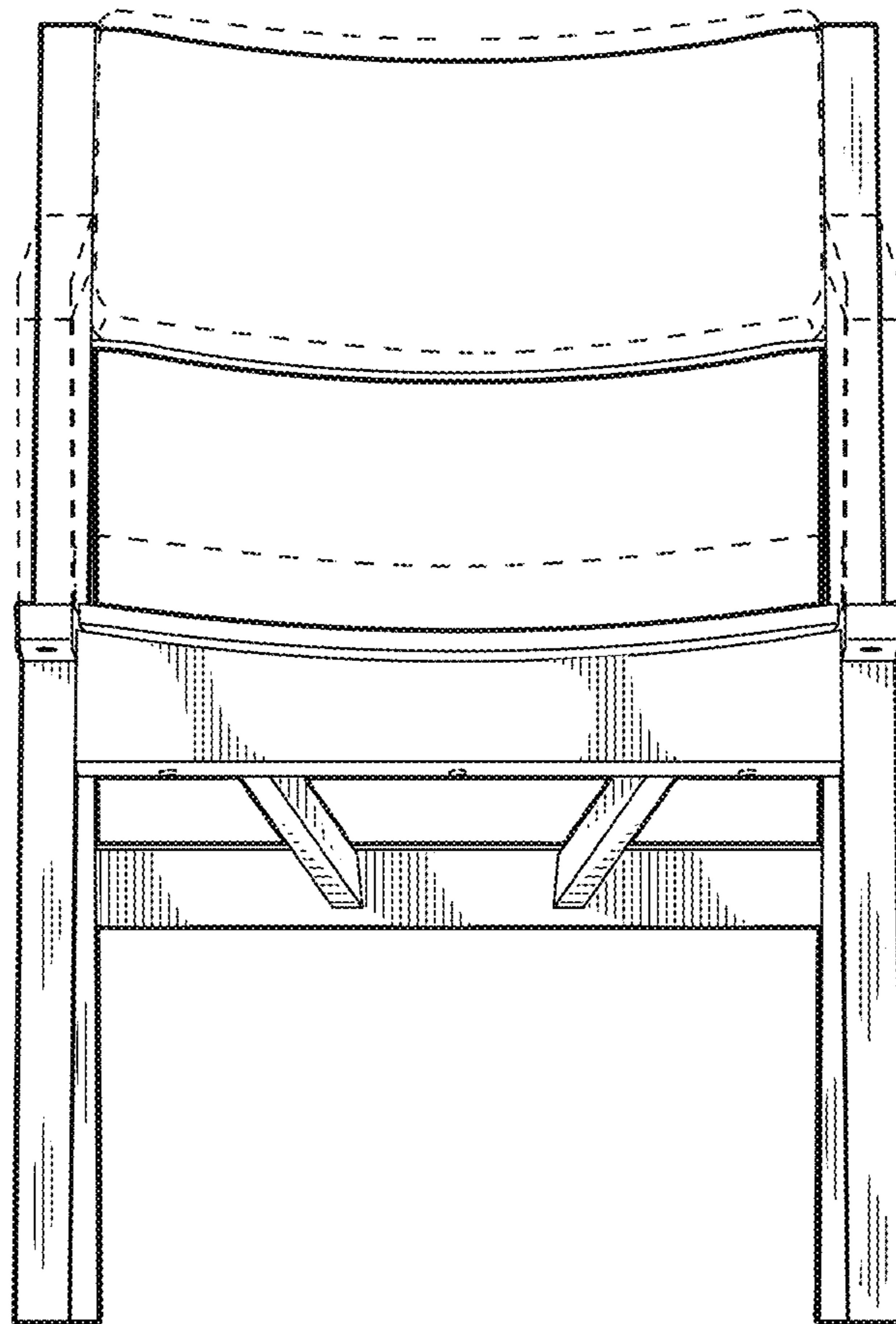


FIG. 2



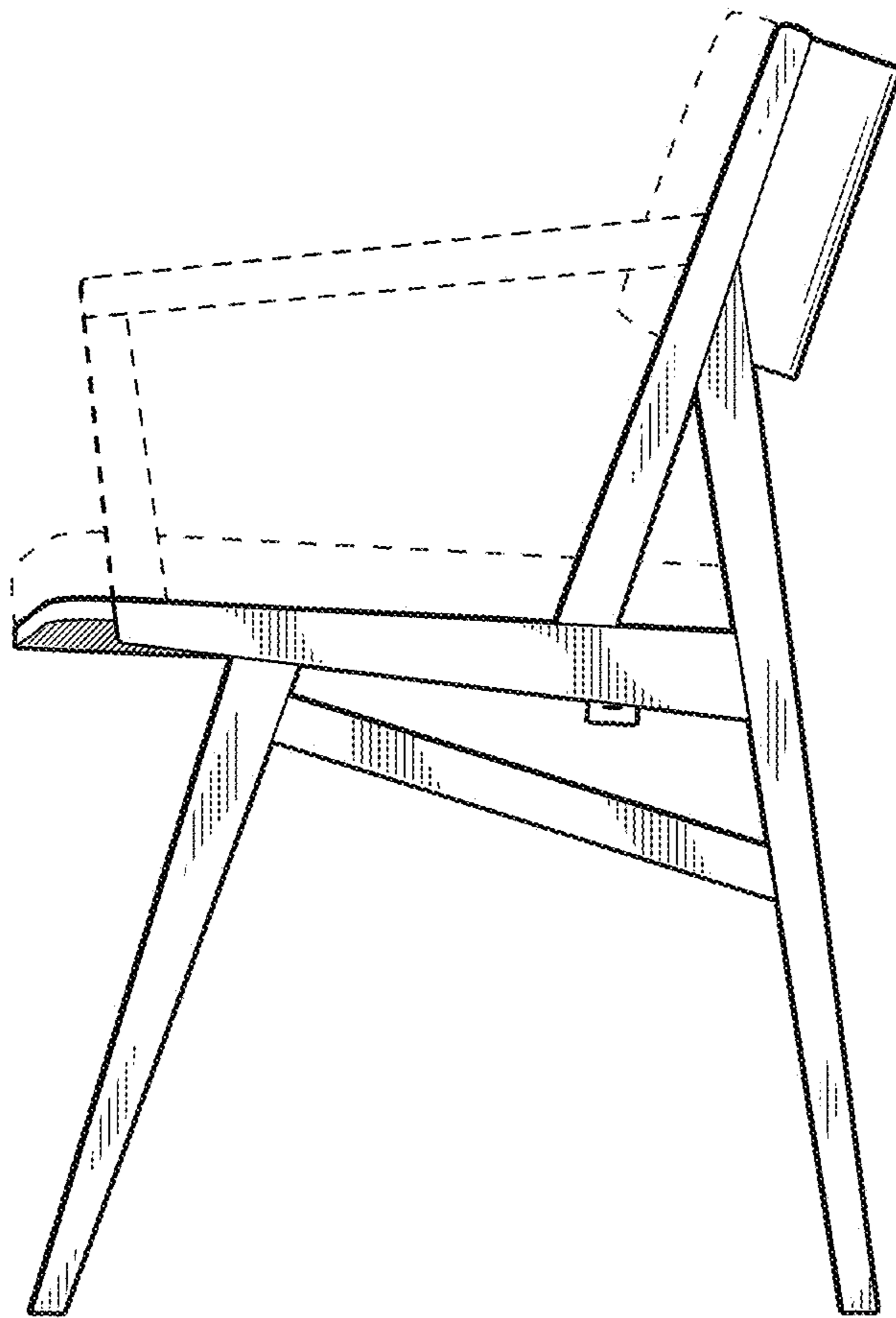


FIG. 3

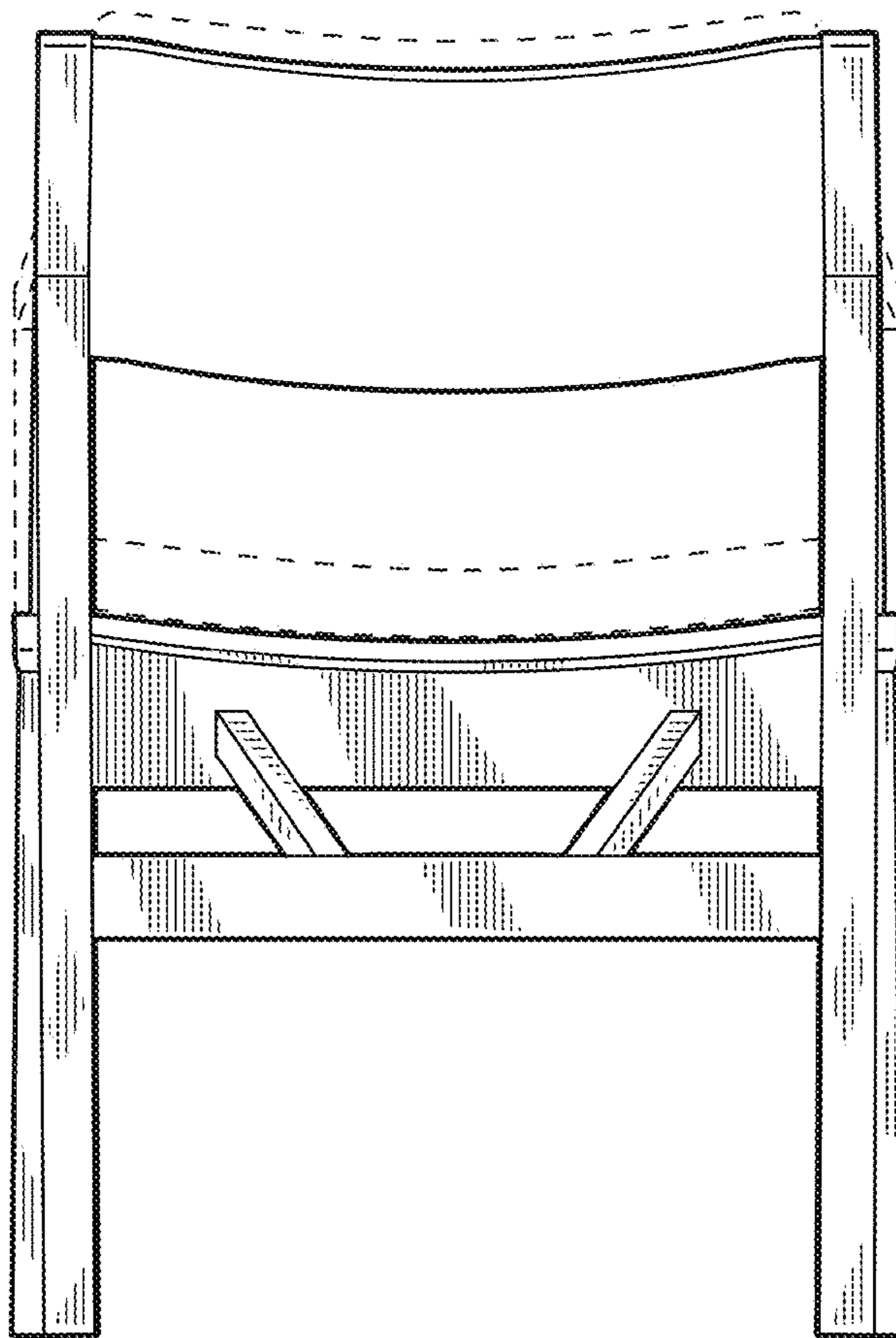


FIG. 4

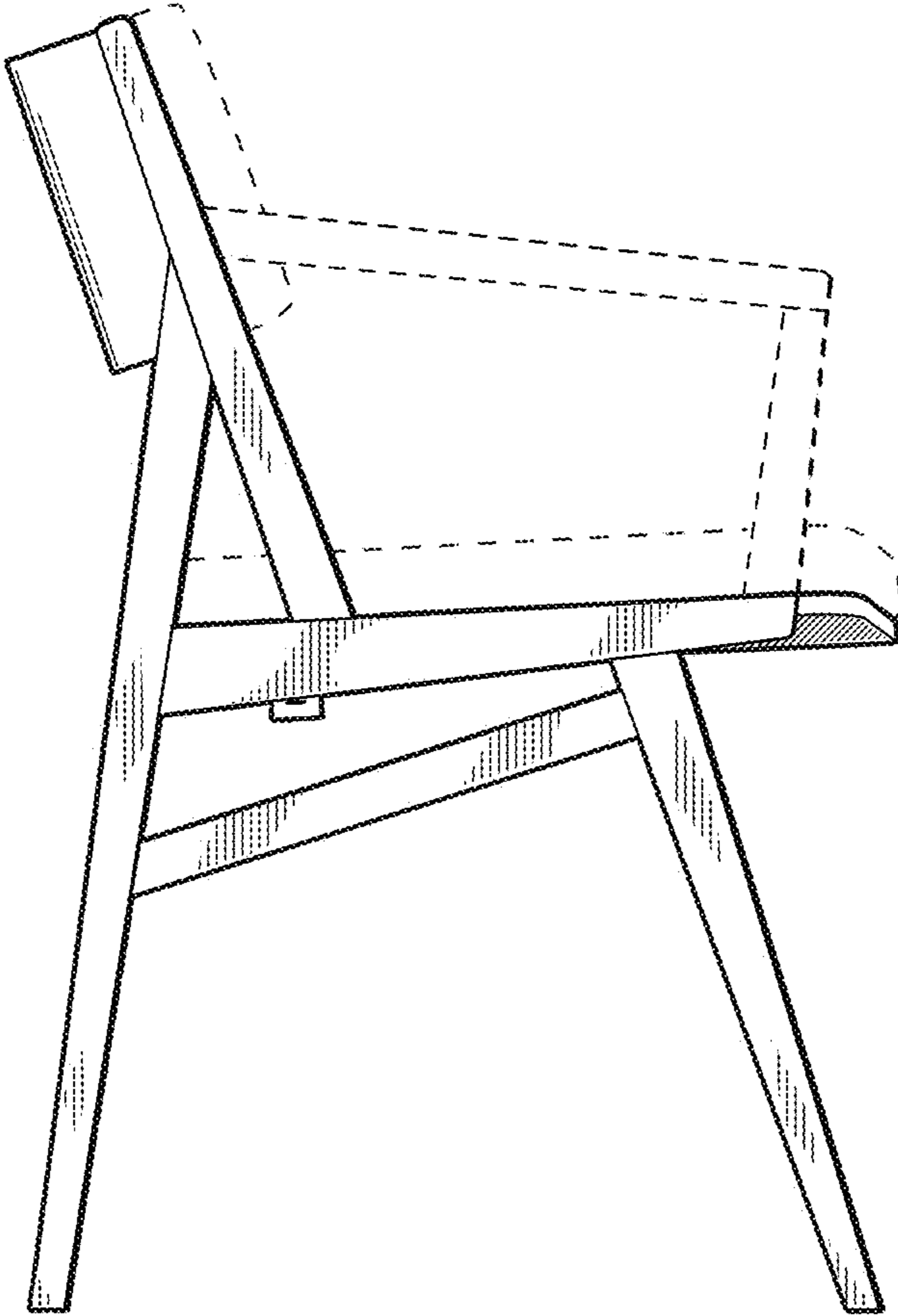


FIG. 5

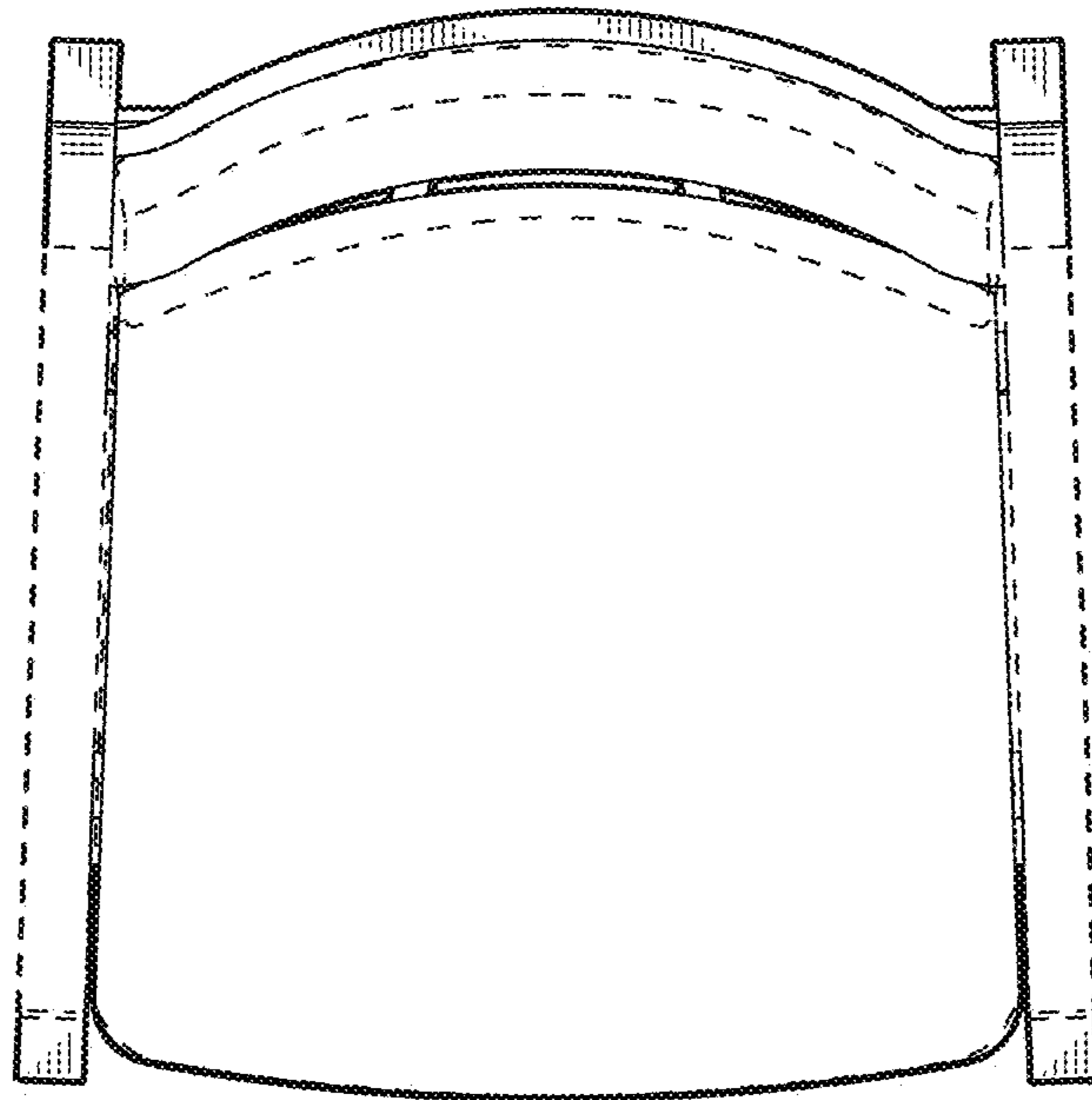


FIG. 6

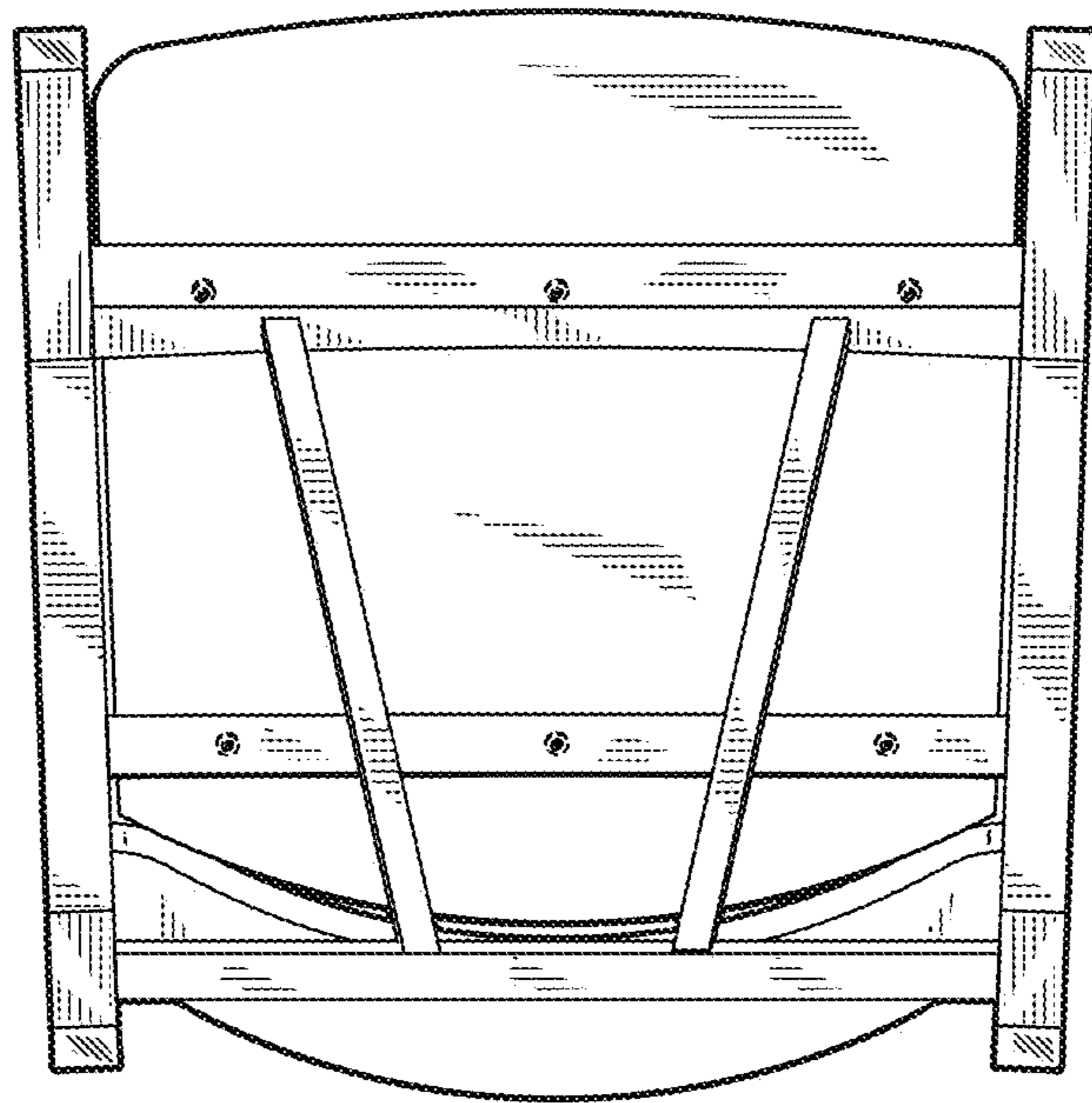


FIG. 7



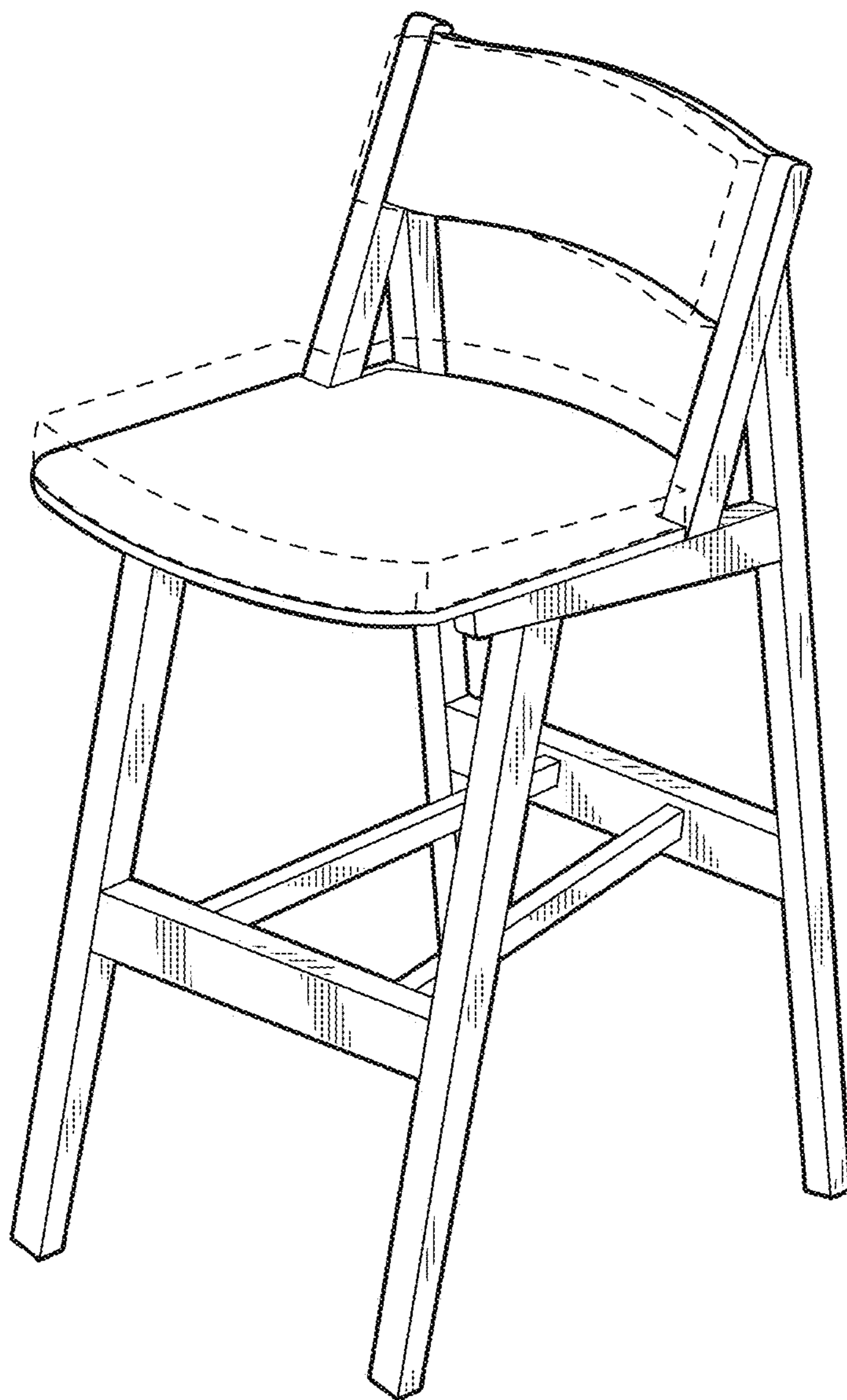


FIG. 8

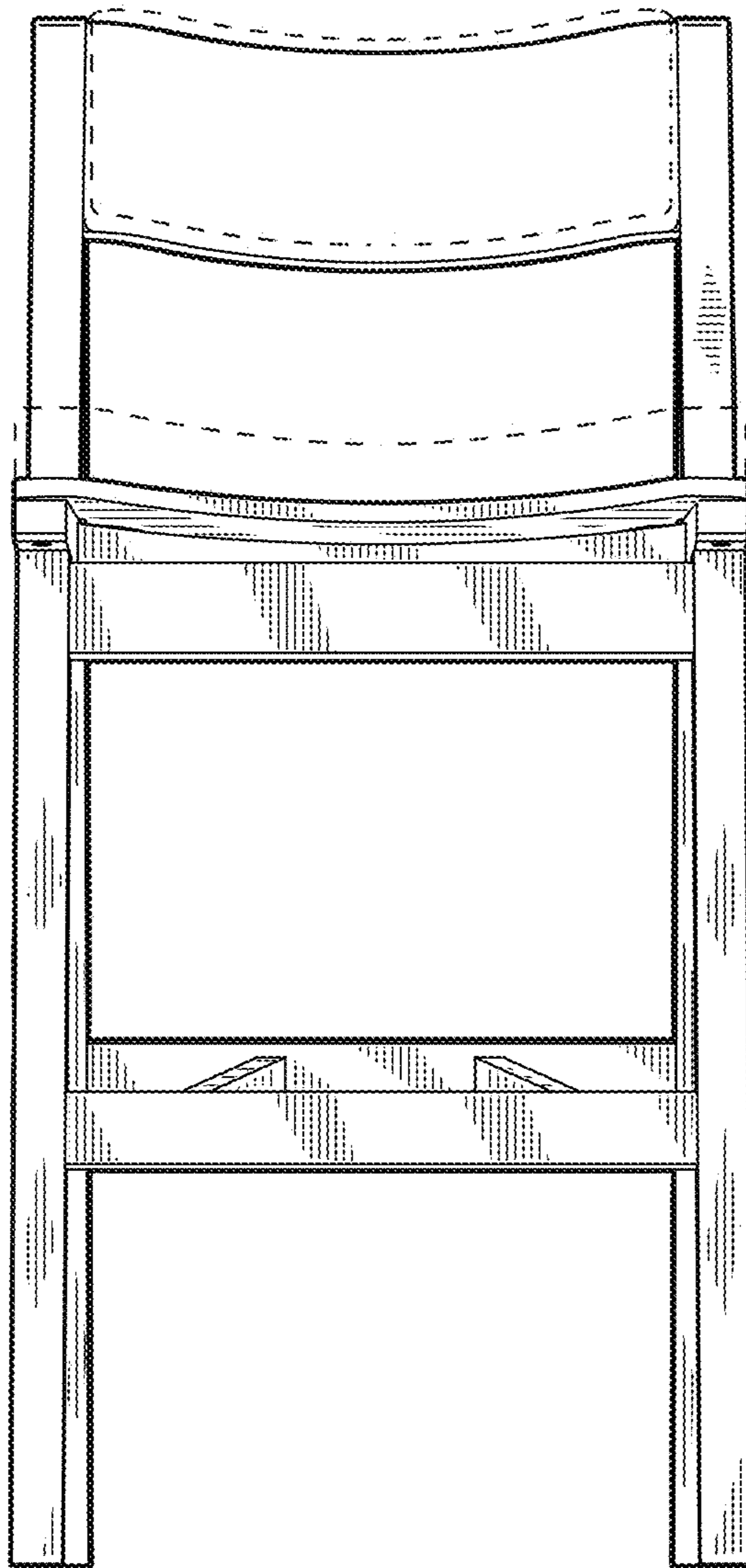


FIG. 9

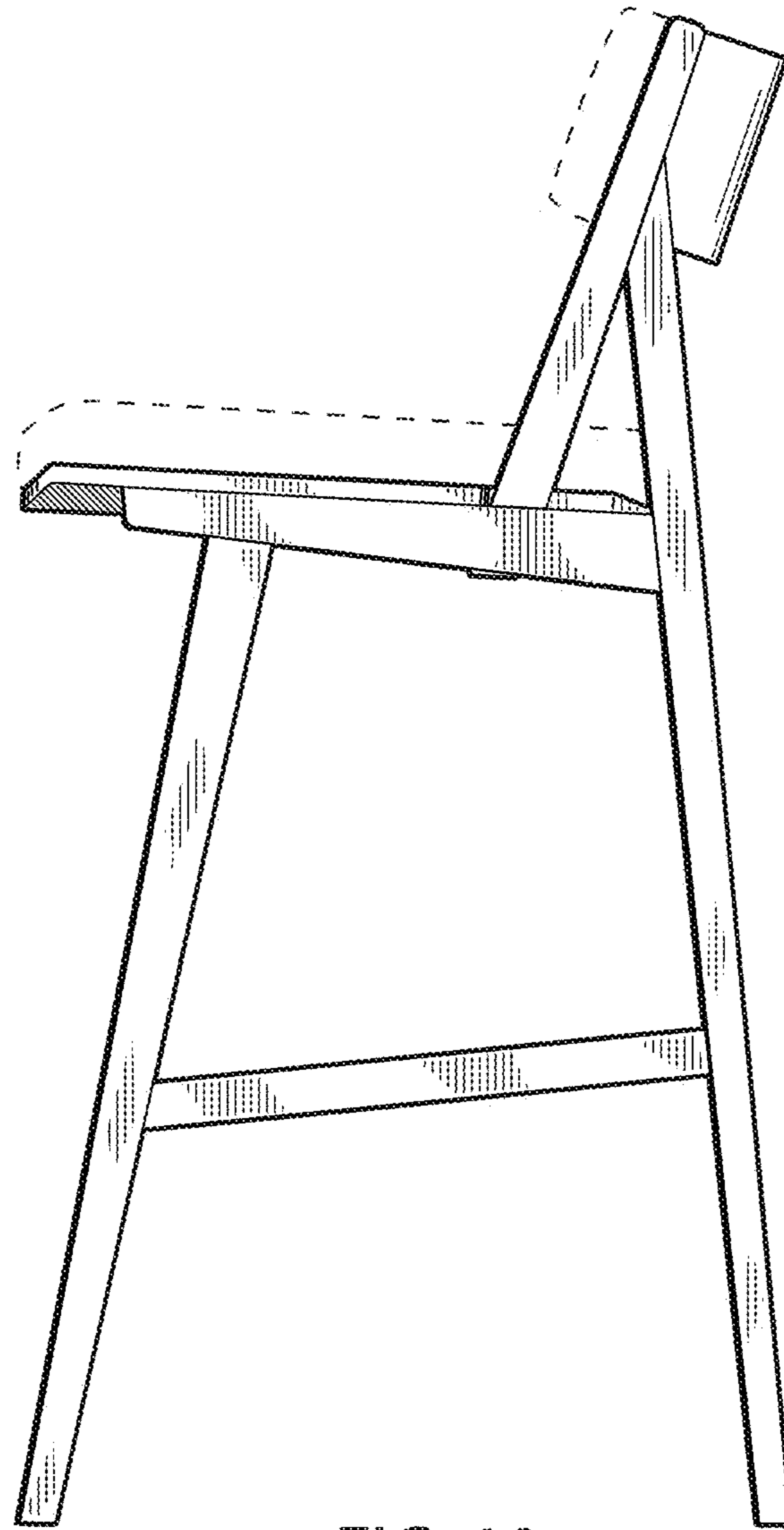


FIG. 10

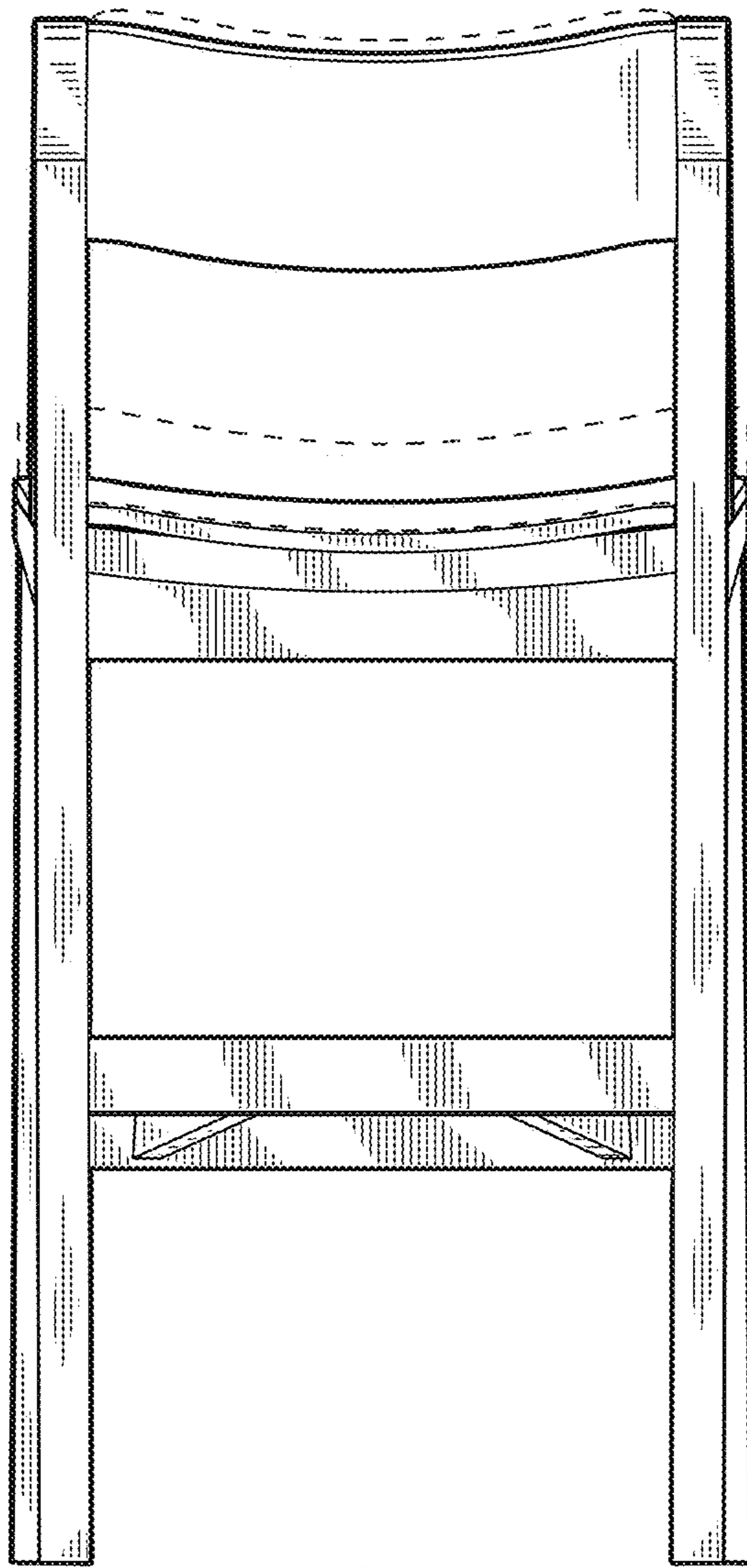


FIG. 11

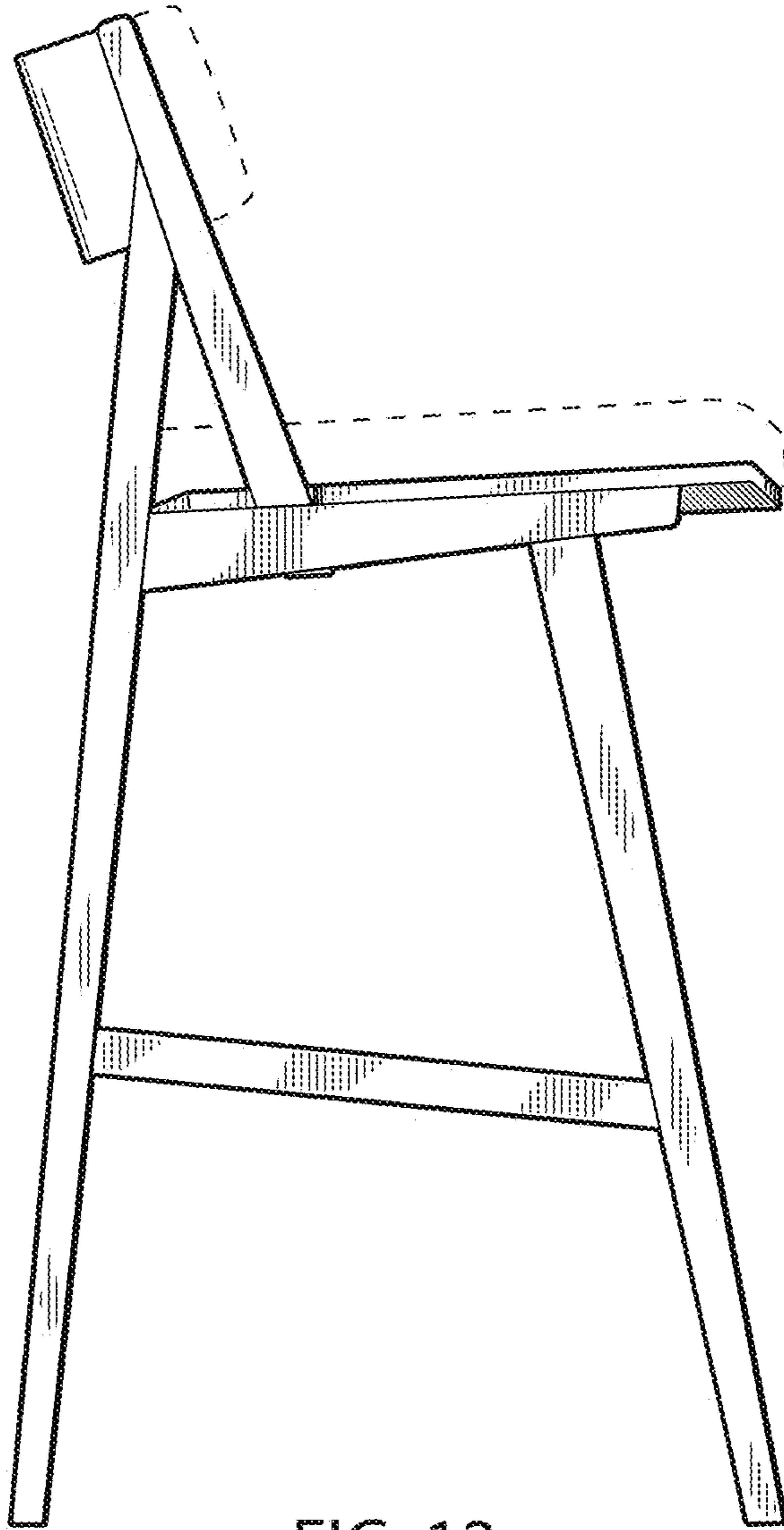


FIG. 12



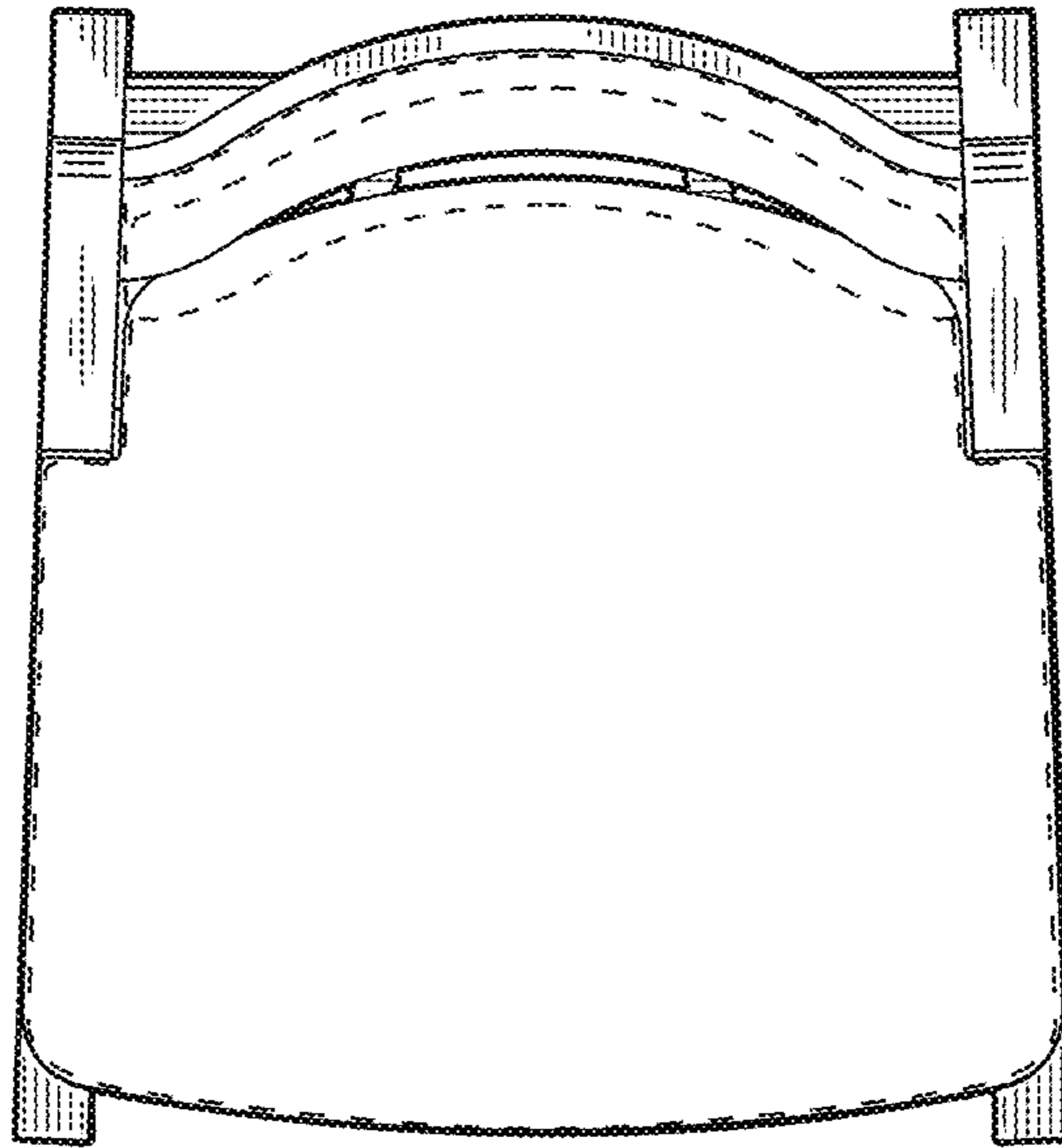


FIG. 13

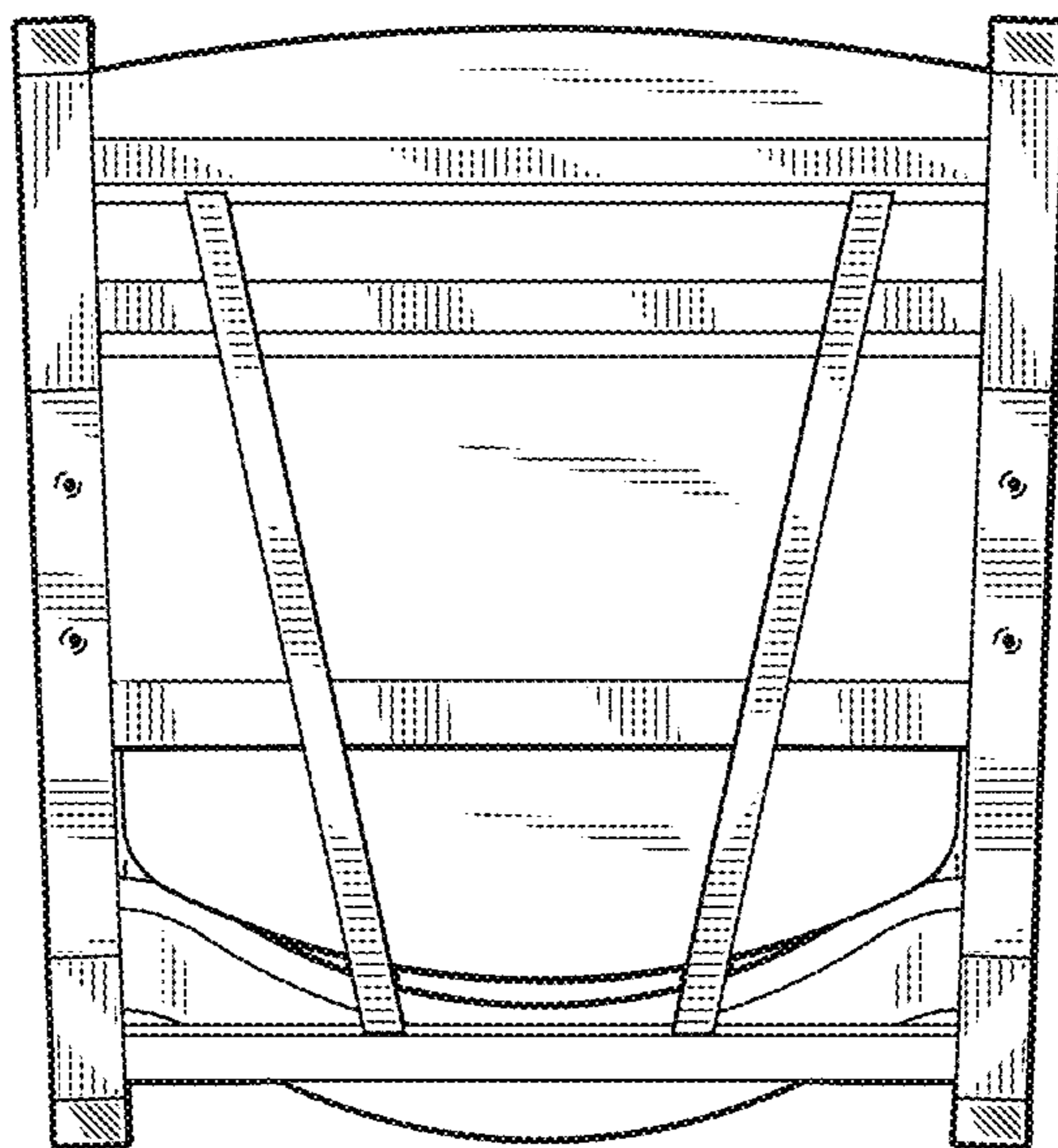


FIG. 14