



US00D747610S

(12) **United States Design Patent**
Lohman

(10) **Patent No.:** **US D747,610 S**
(45) **Date of Patent:** **** Jan. 19, 2016**

(54) **HANGING RECIPE HOLDER**

211/113

(71) Applicant: **Delores J. Lohman**, New Era, MI (US)

D295,805 S 5/1988 Stocker
D392,332 S 3/1998 Ruprecht
5,975,384 A * 11/1999 Manabat A47G 25/485
223/91

(72) Inventor: **Delores J. Lohman**, New Era, MI (US)

6,439,534 B1 8/2002 Hensel
6,974,057 B1 * 12/2005 Smith A47G 25/743
223/85

(**) Term: **14 Years**

D658,393 S * 5/2012 Jones D6/326
2008/0000935 A1 * 1/2008 Austin A47G 25/485
223/85

(21) Appl. No.: **29/513,364**

2014/0027597 A1 * 1/2014 Farris F16B 7/105
248/339

(22) Filed: **Dec. 30, 2014**

(51) **LOC (10) Cl.** **06-08**

(52) **U.S. Cl.**

USPC **D6/326**

(58) **Field of Classification Search**

USPC D6/315-328; 223/85-98; 211/10, 13.1,
211/85.2, 87.01, 113
CPC ... A47G 25/28; A47G 25/487; A47G 25/485;
A47G 25/473; A47G 25/66; A47G 25/36;
A47G 25/48; A47G 25/50; A47G 25/30;
A47G 25/445; A47G 2025/1492; A47F
5/0006; A47F 7/19

See application file for complete search history.

FOREIGN PATENT DOCUMENTS

EP 0219464 A2 4/1987

* cited by examiner

Primary Examiner — Derrick Holland

Assistant Examiner — Lauren Calve

(74) *Attorney, Agent, or Firm* — Robert C. Montgomery;
Montgomery Patent & Design, LP

(57) **CLAIM**

The ornamental design for a hanging recipe holder, as shown
and described.

(56) **References Cited**

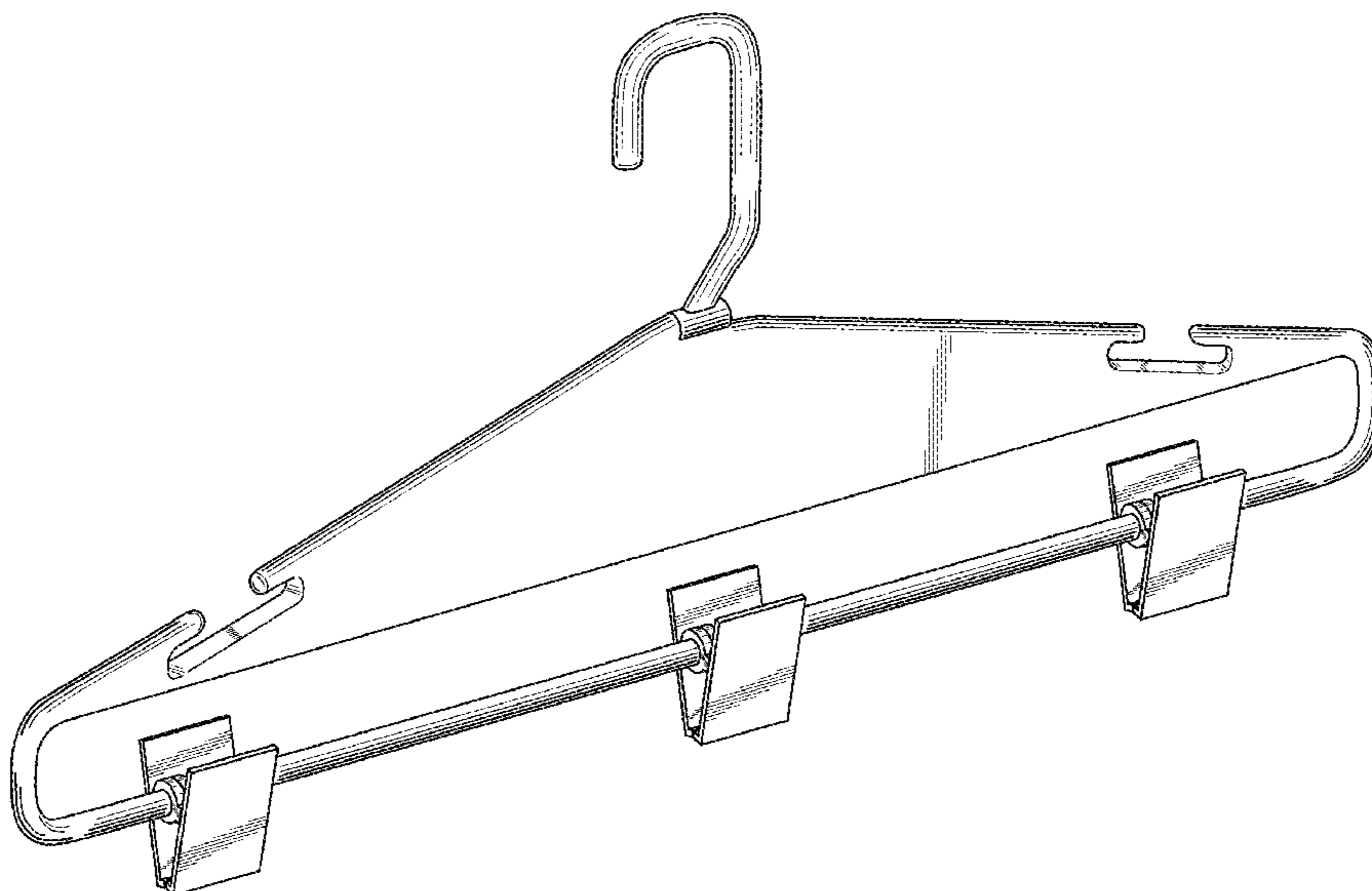
U.S. PATENT DOCUMENTS

2,613,857 A 10/1952 Pecht
2,634,031 A * 4/1953 Klein A47G 25/743
211/119
2,723,064 A 11/1955 Richards
3,049,272 A * 8/1962 Tufts A47G 25/28
223/88
3,168,276 A 2/1965 Schneider
3,452,881 A * 7/1969 Jamison A47G 25/743
211/106
3,471,069 A 10/1969 Simon
4,240,543 A 12/1980 McKee
4,474,298 A * 10/1984 Bishop A47G 25/743

DESCRIPTION

FIG. 1 is a perspective view of a hanging recipe holder,
showing my new design;
FIG. 2 is a front side view with the rear side view being a
mirror image thereof;
FIG. 3 is a left side view thereof;
FIG. 4 is a right side view thereof;
FIG. 5 is a top side view thereof; and,
FIG. 6 is a bottom side view thereof.

1 Claim, 4 Drawing Sheets



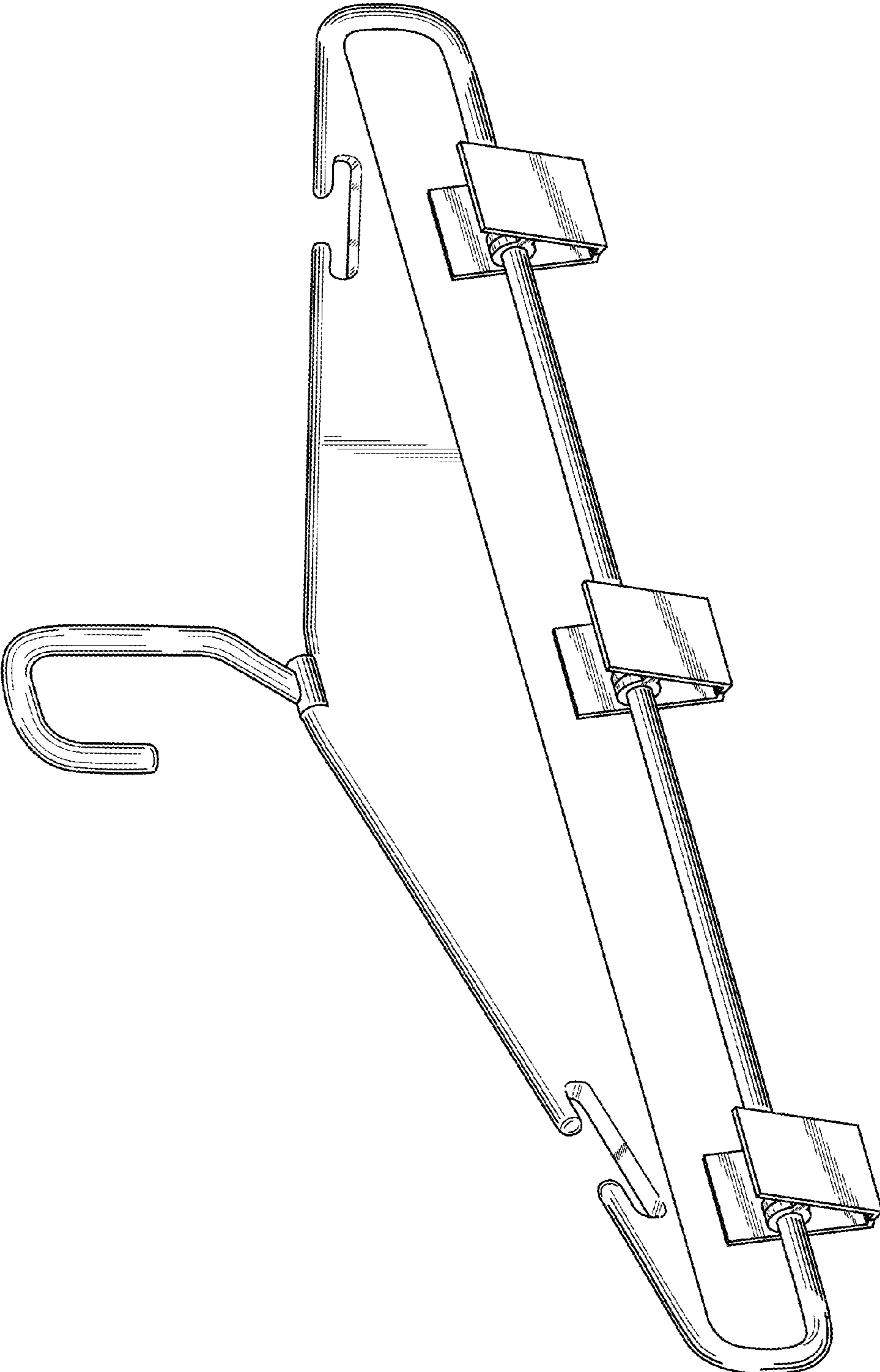


Fig. 1

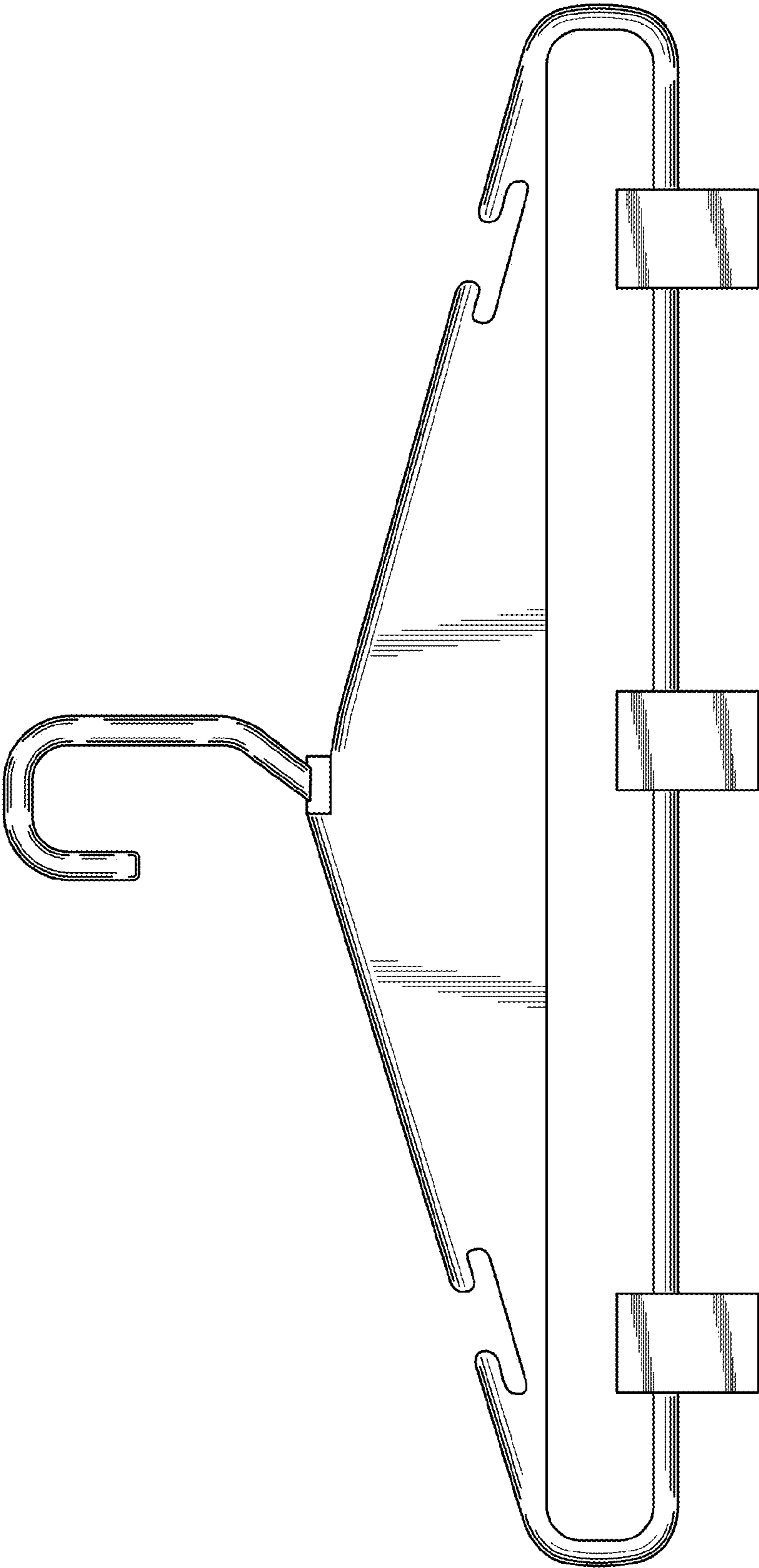


Fig. 2

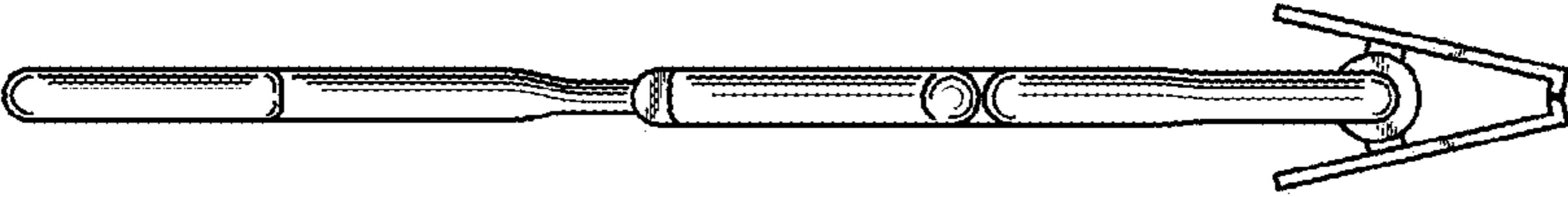


Fig. 4

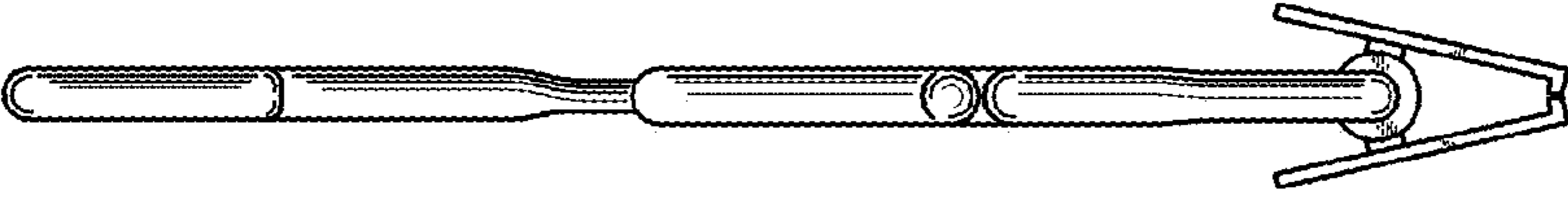


Fig. 3

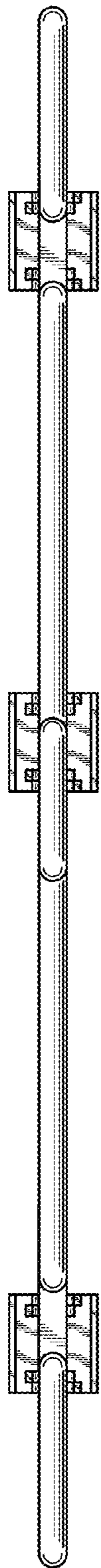


Fig. 5

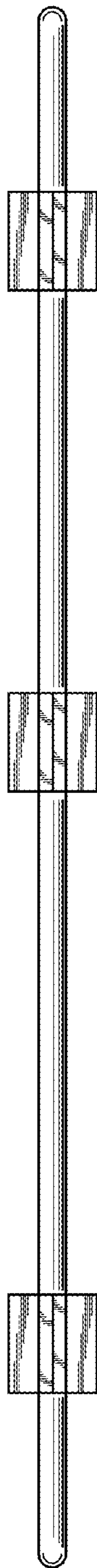


Fig. 6