



US00D747608S

(12) **United States Design Patent**
White

(10) **Patent No.:** **US D747,608 S**
(45) **Date of Patent:** **** Jan. 19, 2016**

(54) **KNOCKDOWN CRATE**

(71) Applicant: **William C. White**, Norfolk, VA (US)
(72) Inventor: **William C. White**, Norfolk, VA (US)
(**) Term: **14 Years**
(21) Appl. No.: **29/503,327**
(22) Filed: **Sep. 25, 2014**
(51) **LOC (10) Cl.** **03-01**
(52) **U.S. Cl.**
USPC **D3/305**
(58) **Field of Classification Search**
USPC D3/272, 304, 305, 307, 309, 315;
D9/414
CPC A45C 7/0004; A45C 7/0022
See application file for complete search history.

(56) **References Cited**

U.S. PATENT DOCUMENTS

515,226	A *	2/1894	Howell	B65D 9/12 217/43 R
906,231	A *	12/1908	Hubbard	B65D 9/14 217/12 R
1,111,809	A *	9/1914	Shellenberger	B65D 9/20 217/12 A
1,470,063	A *	10/1923	Davis	B65D 9/38 217/66
1,616,618	A *	2/1927	Gaylord	B65D 9/12 217/43 R
1,636,607	A *	7/1927	Horton	B65D 21/0209 217/36
2,012,451	A *	8/1935	Leigh	B65D 9/32 217/36

(Continued)

Primary Examiner — Kelley Donnelly

(74) *Attorney, Agent, or Firm* — Bryce D. Miracle; Pierce McCoy, PLLC

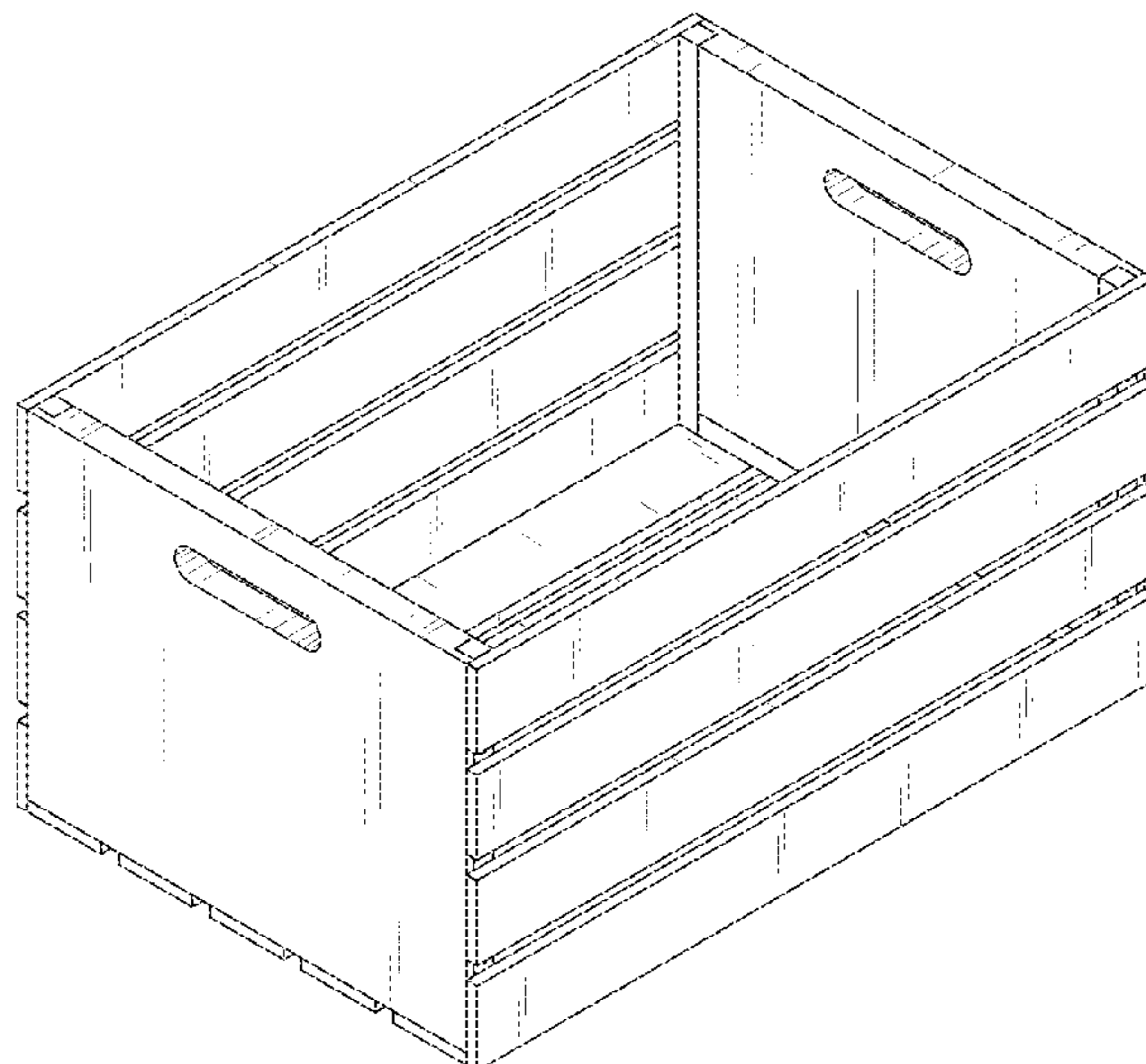
(57) **CLAIM**

The ornamental design for a knockdown crate, substantially as shown and described.

DESCRIPTION

FIG. 1 is a front perspective view of a first embodiment of the knockdown crate, in the assembled configuration, showing the new design;
FIG. 2 is a rear perspective view thereof;
FIG. 3 is a front elevation view thereof;
FIG. 4 is a rear elevation view thereof;
FIG. 5 is a right side elevation view thereof;
FIG. 6 is a left side elevation view thereof;
FIG. 7 is a top plan view thereof;
FIG. 8 is a bottom plan view thereof;
FIG. 9 is an exploded view thereof;
FIG. 10 is a perspective view showing the unassembled, stacked configuration thereof;
FIG. 11 is an exploded view showing the unassembled, stacked configuration thereof;
FIG. 12 is an illustrative perspective view showing the unassembled, packaged configuration thereof;
FIG. 13 is a front perspective view of a second embodiment of the knockdown crate, in the assembled configuration, showing the new design;
FIG. 14 is a rear perspective view thereof;
FIG. 15 is a front elevation view thereof;
FIG. 16 is a rear elevation view thereof;
FIG. 17 is a right side elevation view thereof;
FIG. 18 is a left side elevation view thereof;
FIG. 19 is a top plan view thereof;
FIG. 20 is a bottom plan view thereof;
FIG. 21 is an exploded view thereof;
FIG. 22 is a perspective view showing the unassembled, stacked configuration thereof;
FIG. 23 is an exploded view showing the unassembled, stacked configuration thereof;
FIG. 24 is an illustrative perspective view showing the unassembled, packaged configuration thereof; and,
FIG. 25 is a front perspective view of a third embodiment of the knockdown crate showing the new design assembled of wood.
The broken lines shown in the drawings represent environmental matter and form no part of the claimed design.

1 Claim, 20 Drawing Sheets



(56)

References Cited

U.S. PATENT DOCUMENTS

2,515,084 A *	7/1950	Harris	A01K 1/03 119/513	6,017,107 A *	1/2000	Elliott	A47B 47/04 108/181
3,439,862 A *	4/1969	Overton	B65D 9/12 217/12 A	D441,532 S *	5/2001	Nally	D3/273
D286,619 S *	11/1986	Slucker	D3/272	D451,277 S *	12/2001	Nally	D3/272
D309,104 S *	7/1990	Solomon	D3/272	D665,194 S *	8/2012	Lenney	D6/677.3
					D698,181 S *	1/2014	Bujan	D6/403
					D725,413 S *	3/2015	Aleisa	D6/675

* cited by examiner

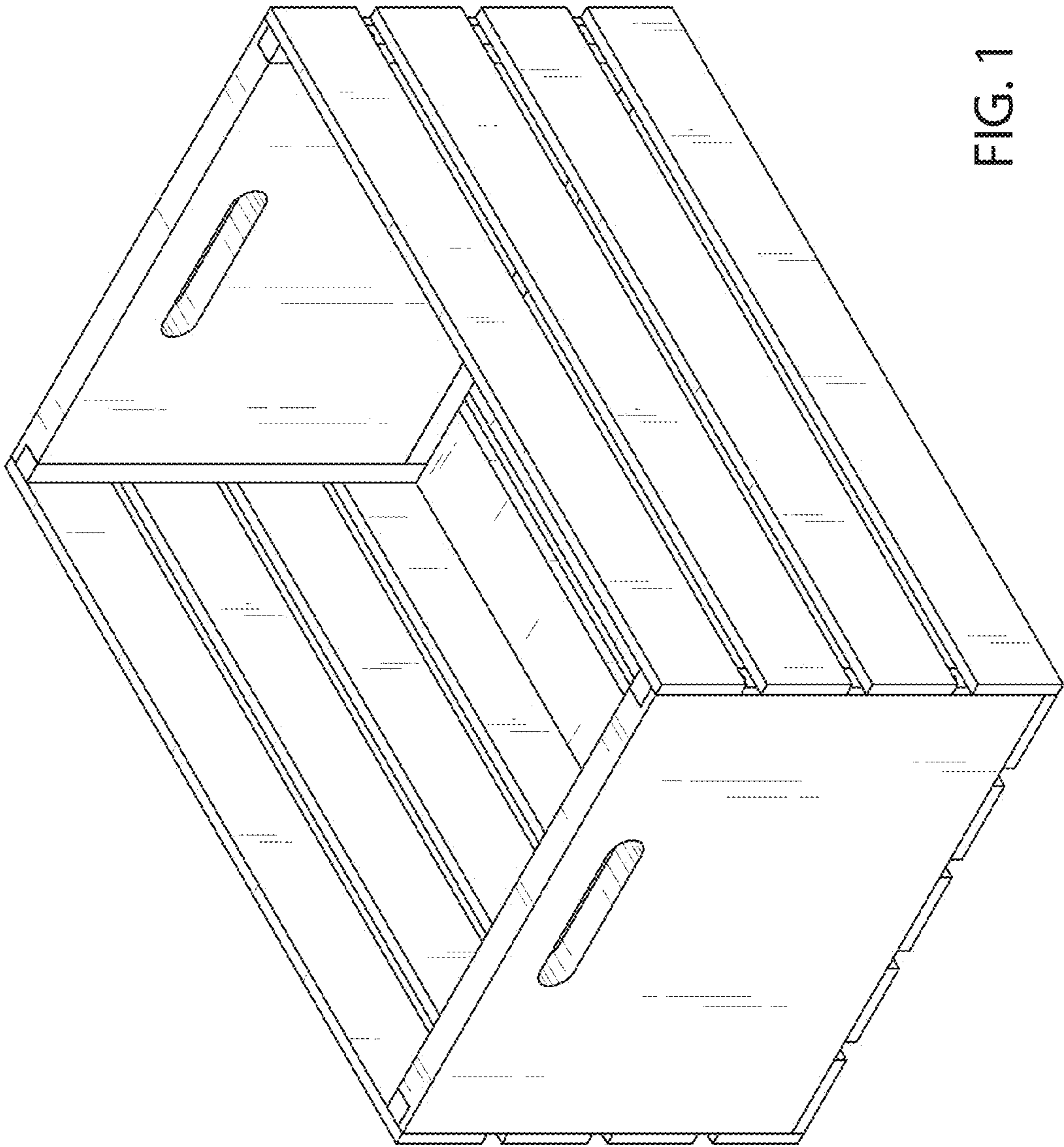


FIG. 1

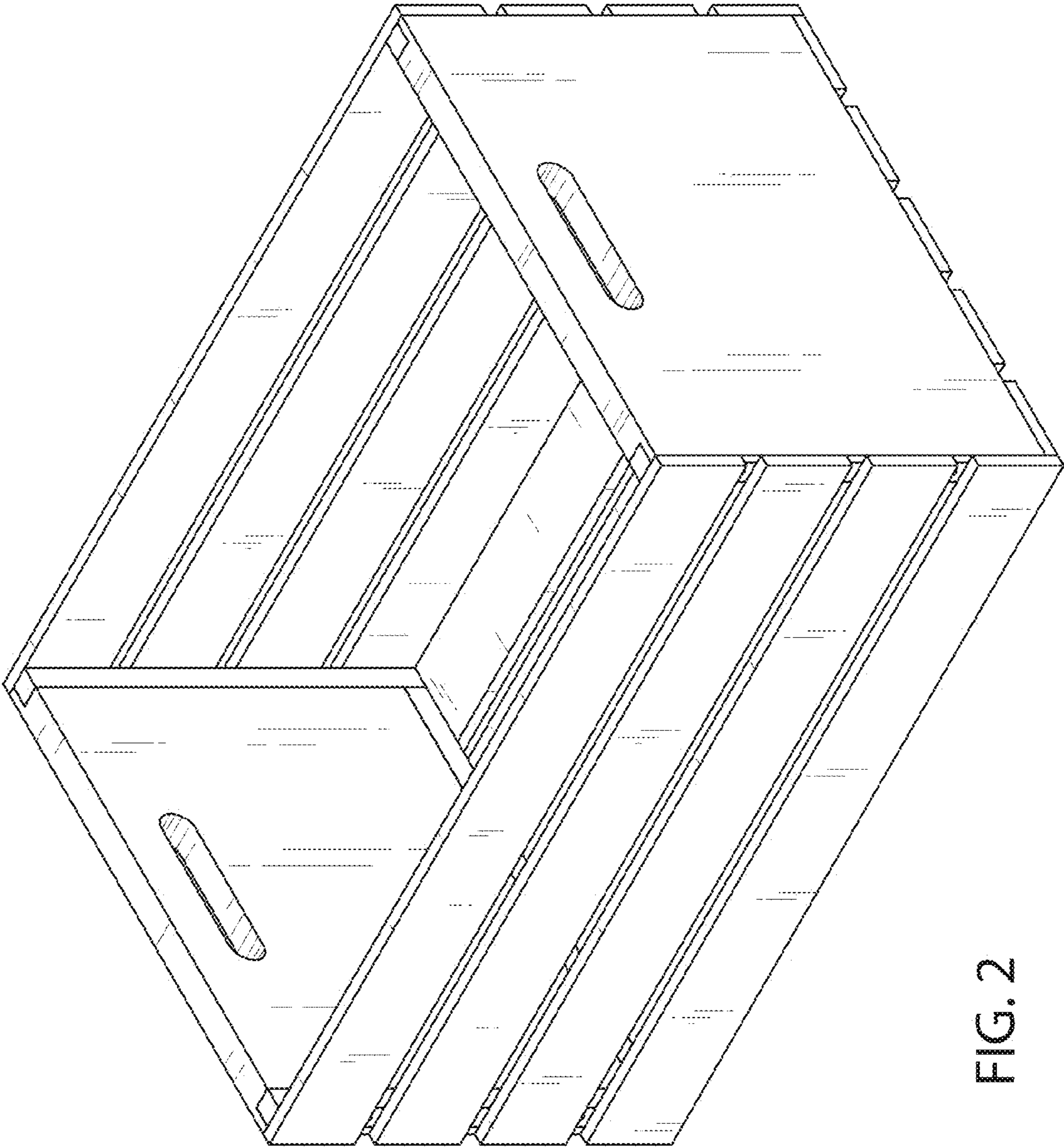


FIG. 2

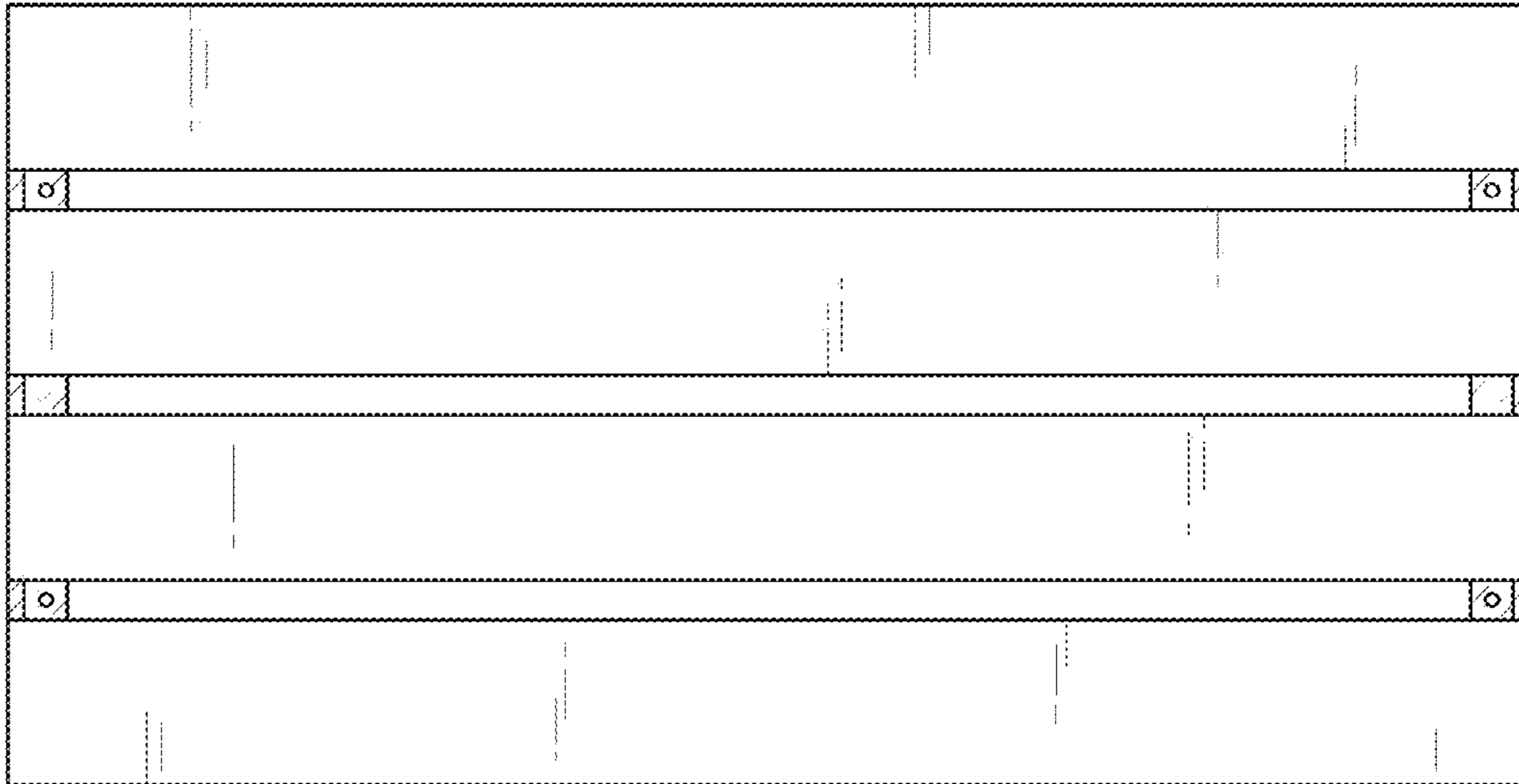


FIG. 3

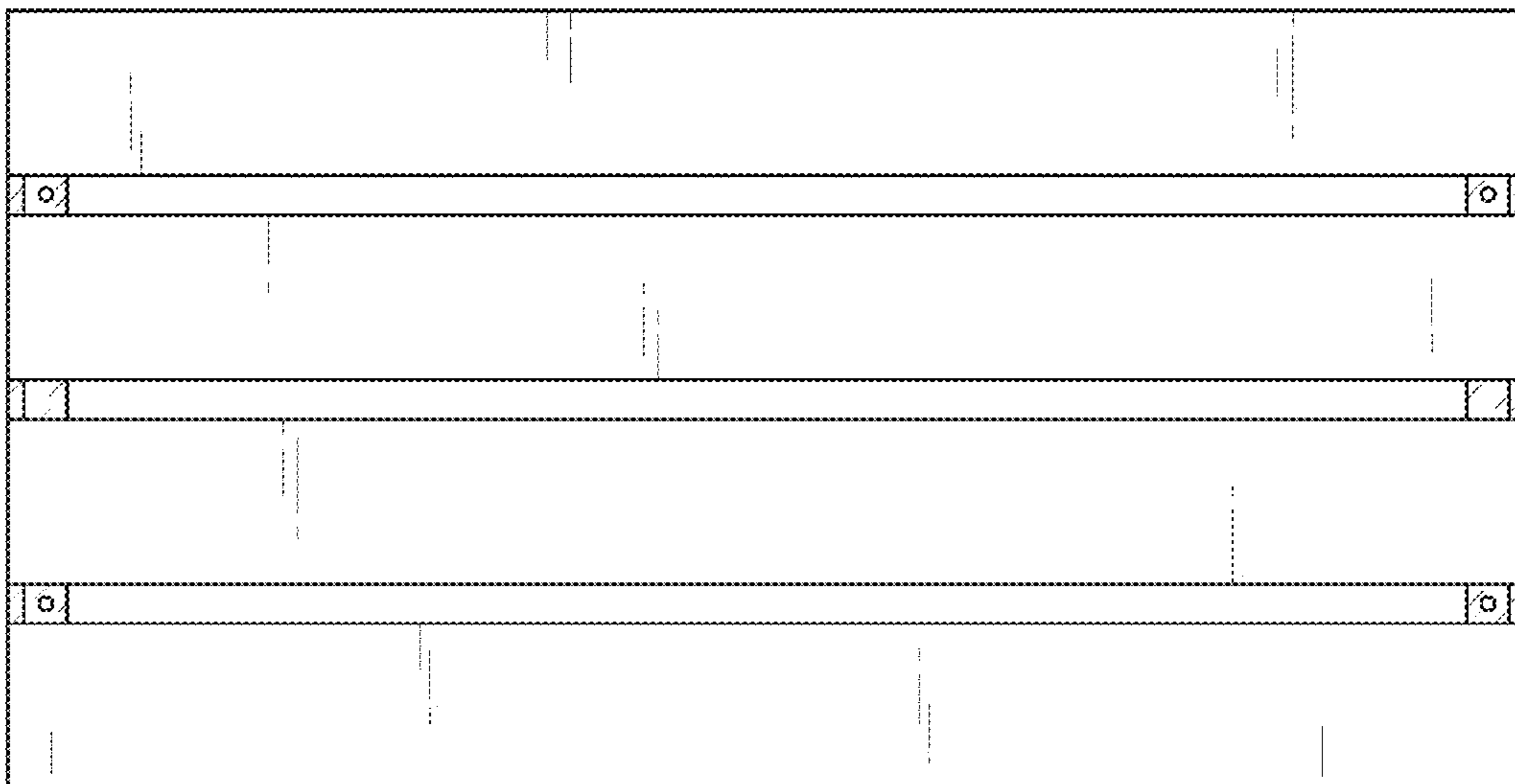


FIG. 4

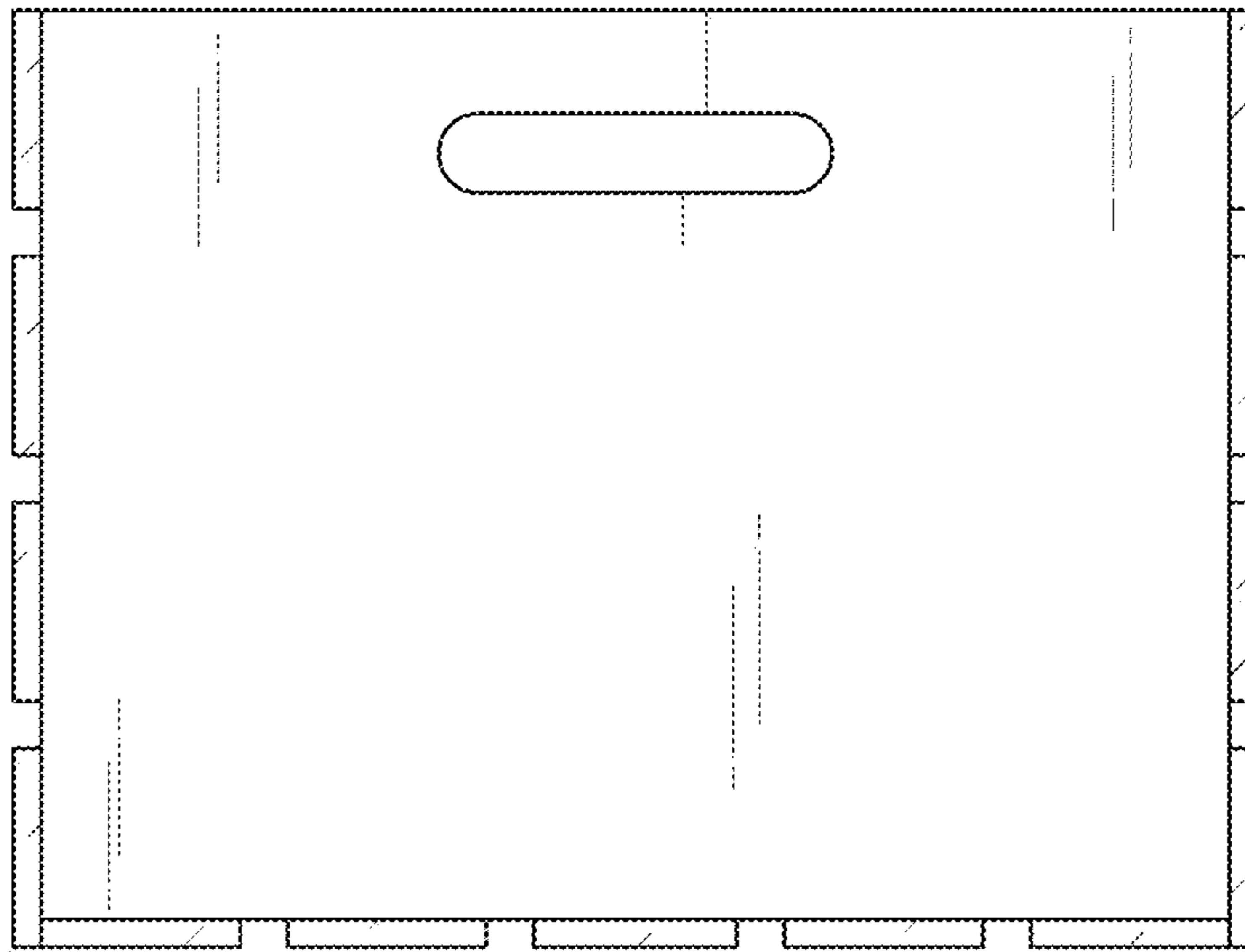


FIG. 5

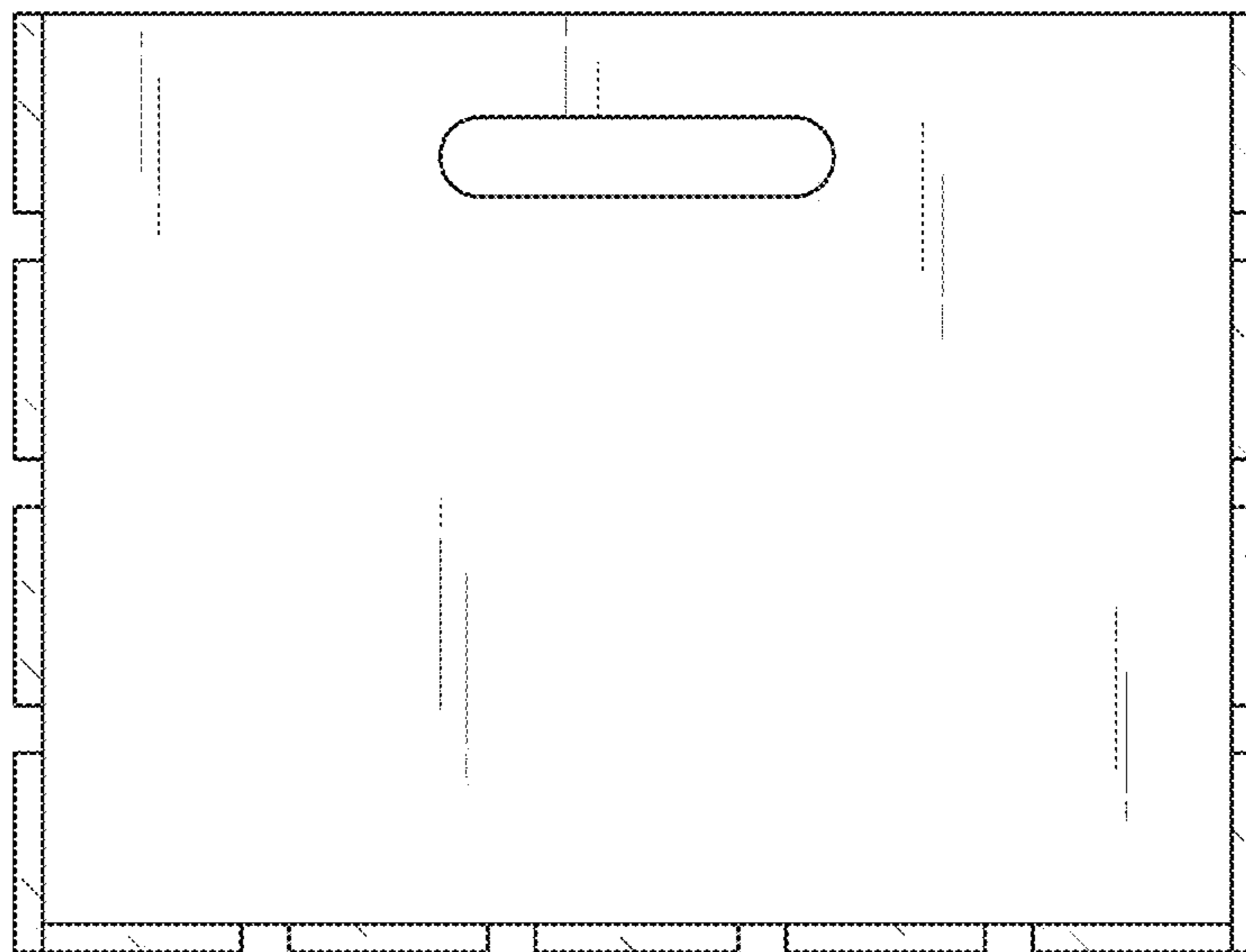


FIG. 6

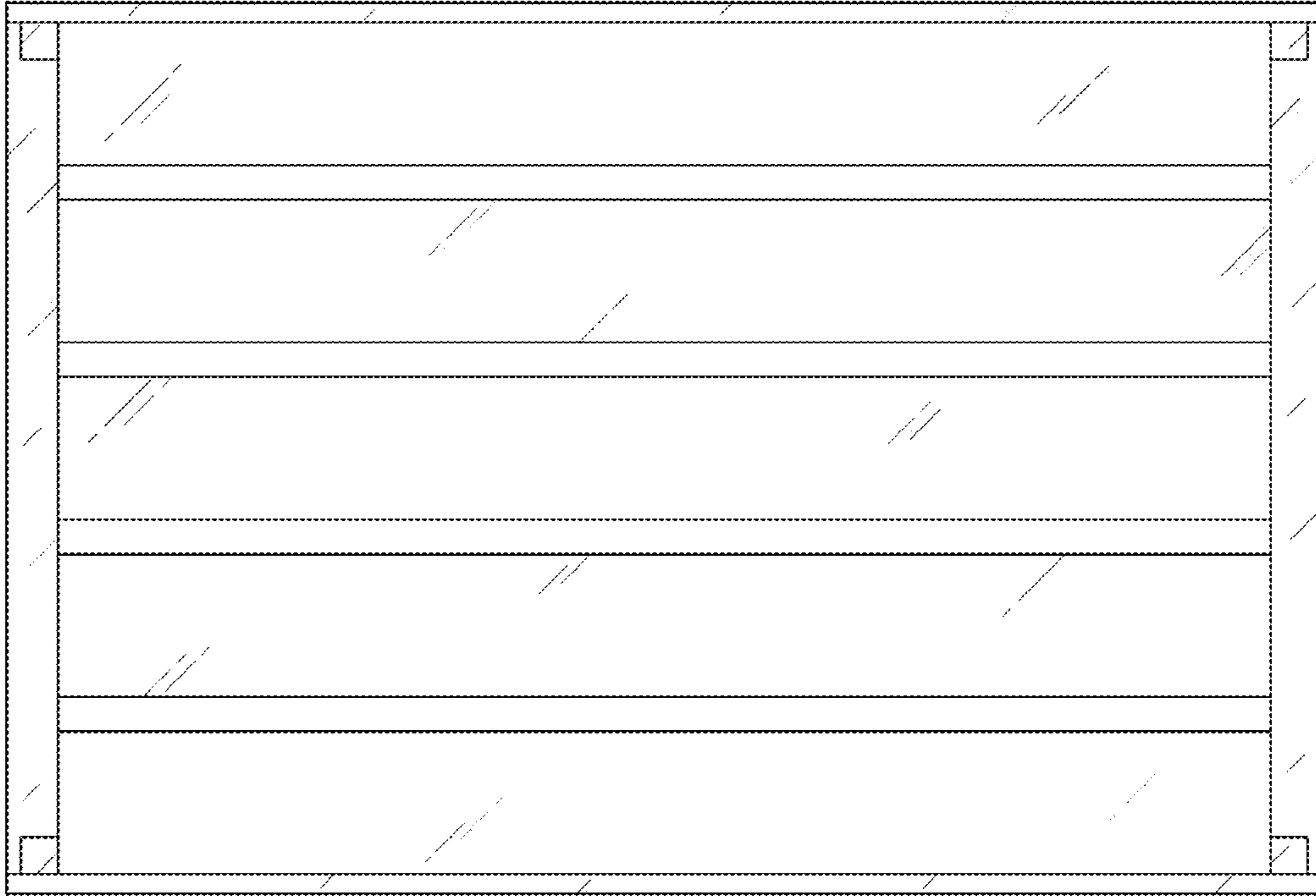


FIG. 7

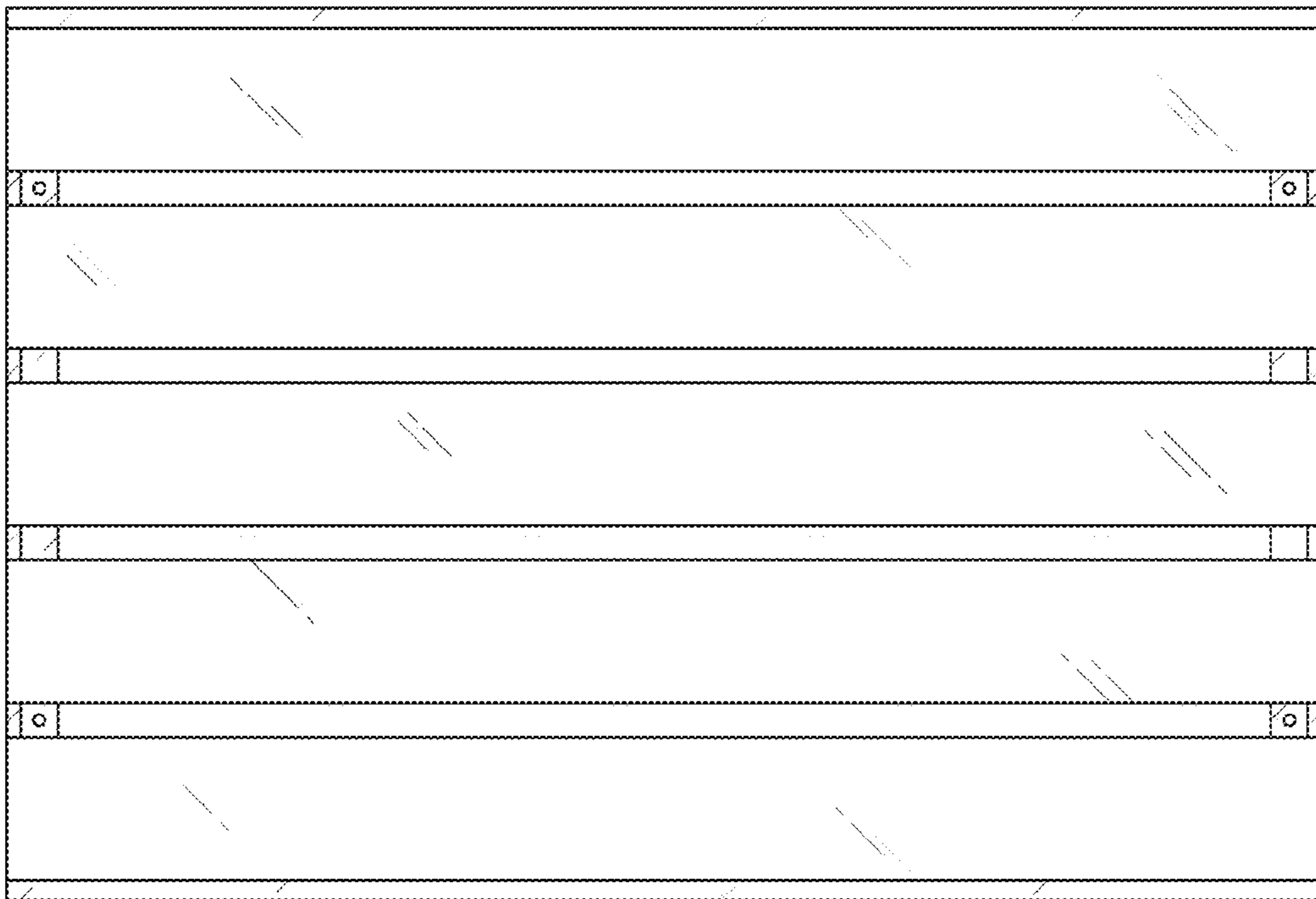


FIG. 8

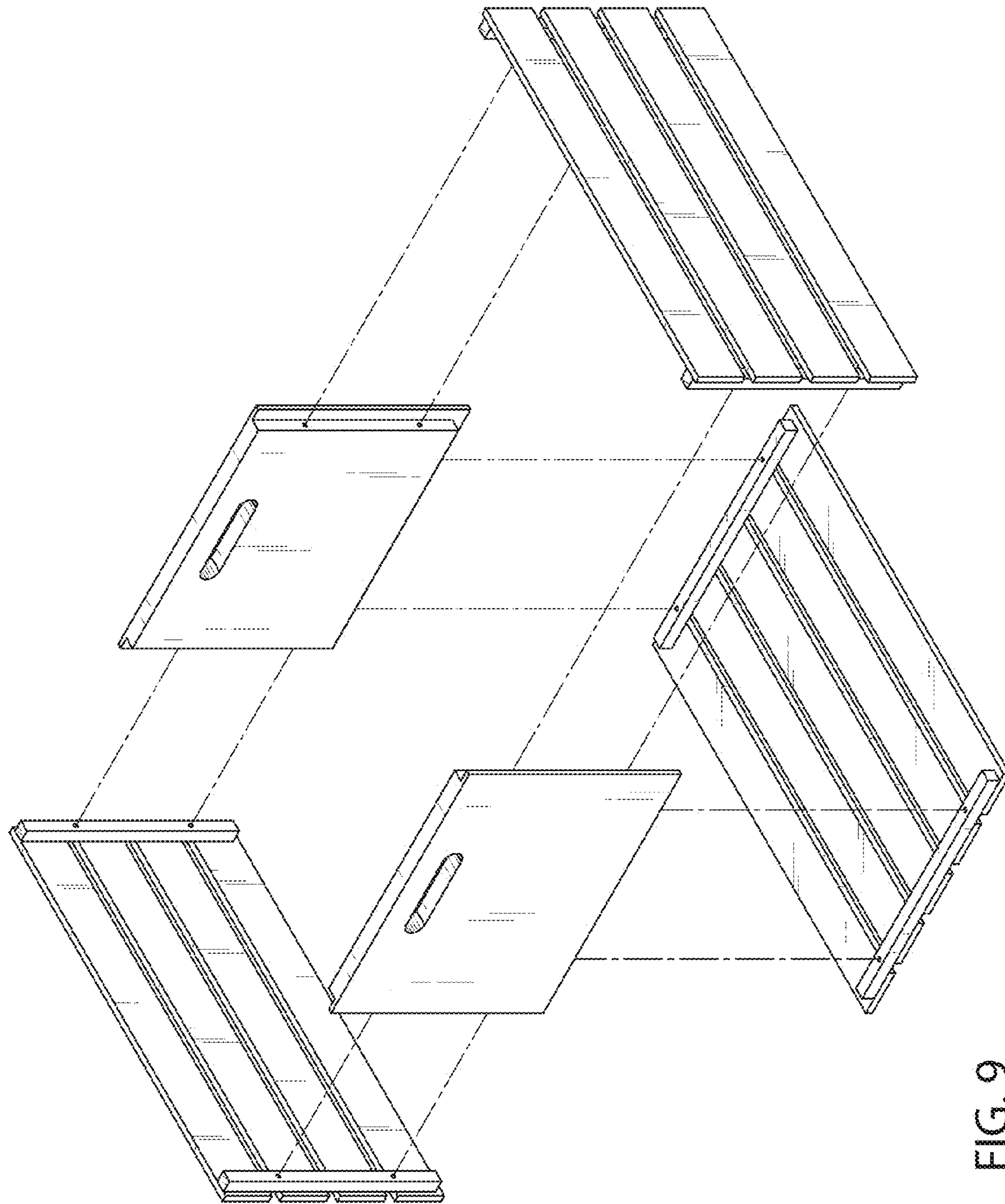


FIG. 9

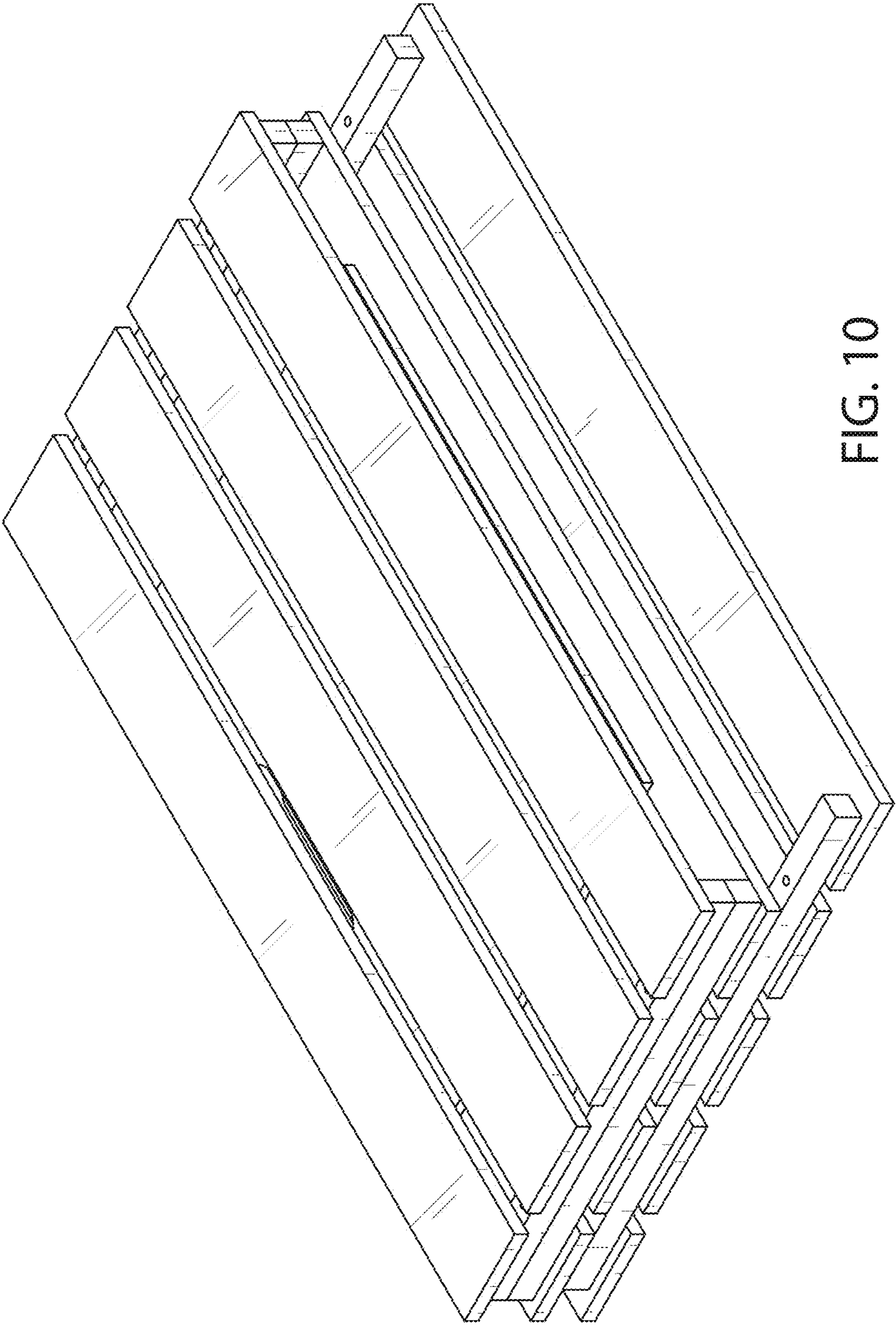


FIG. 10

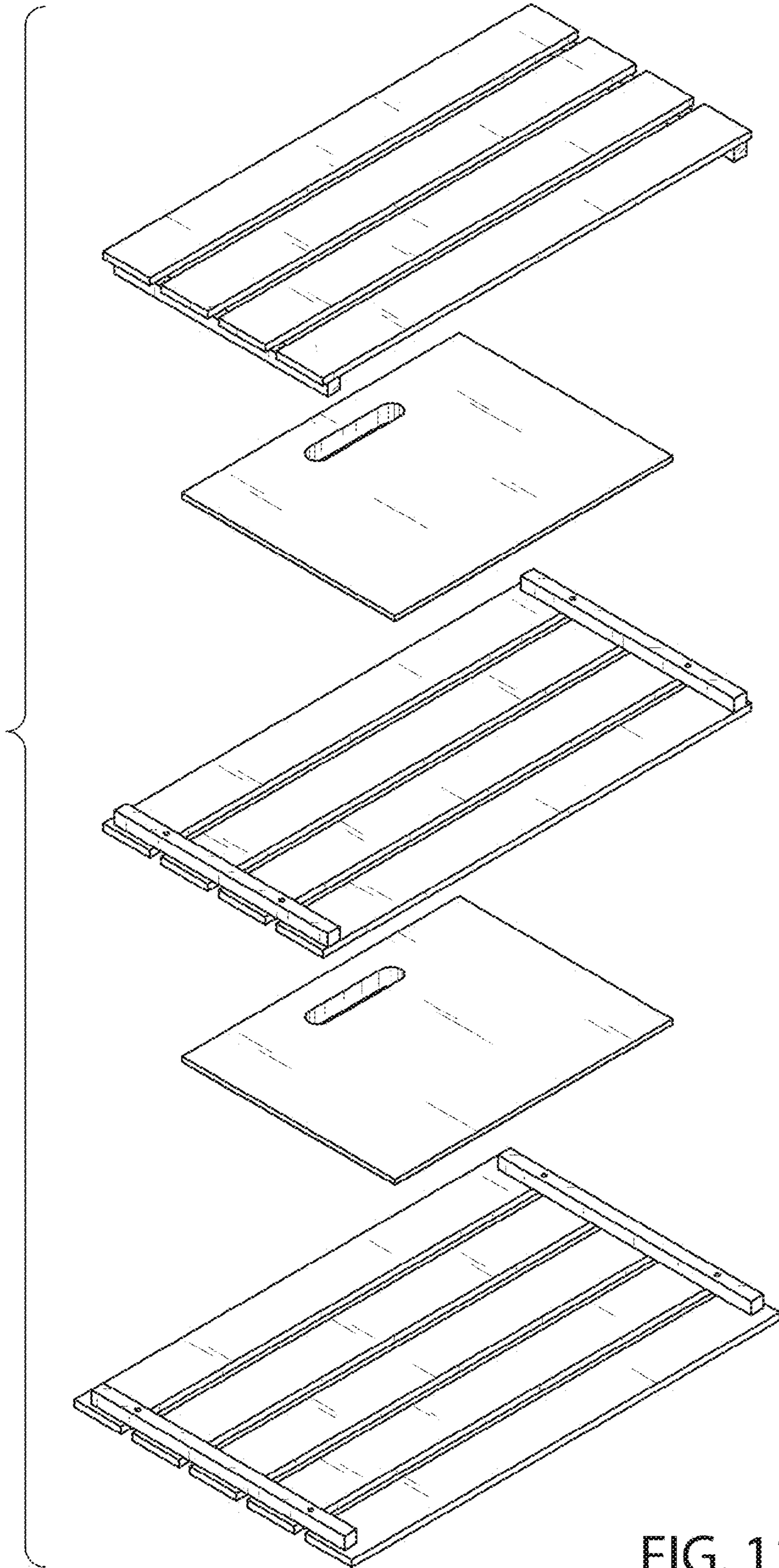


FIG. 11

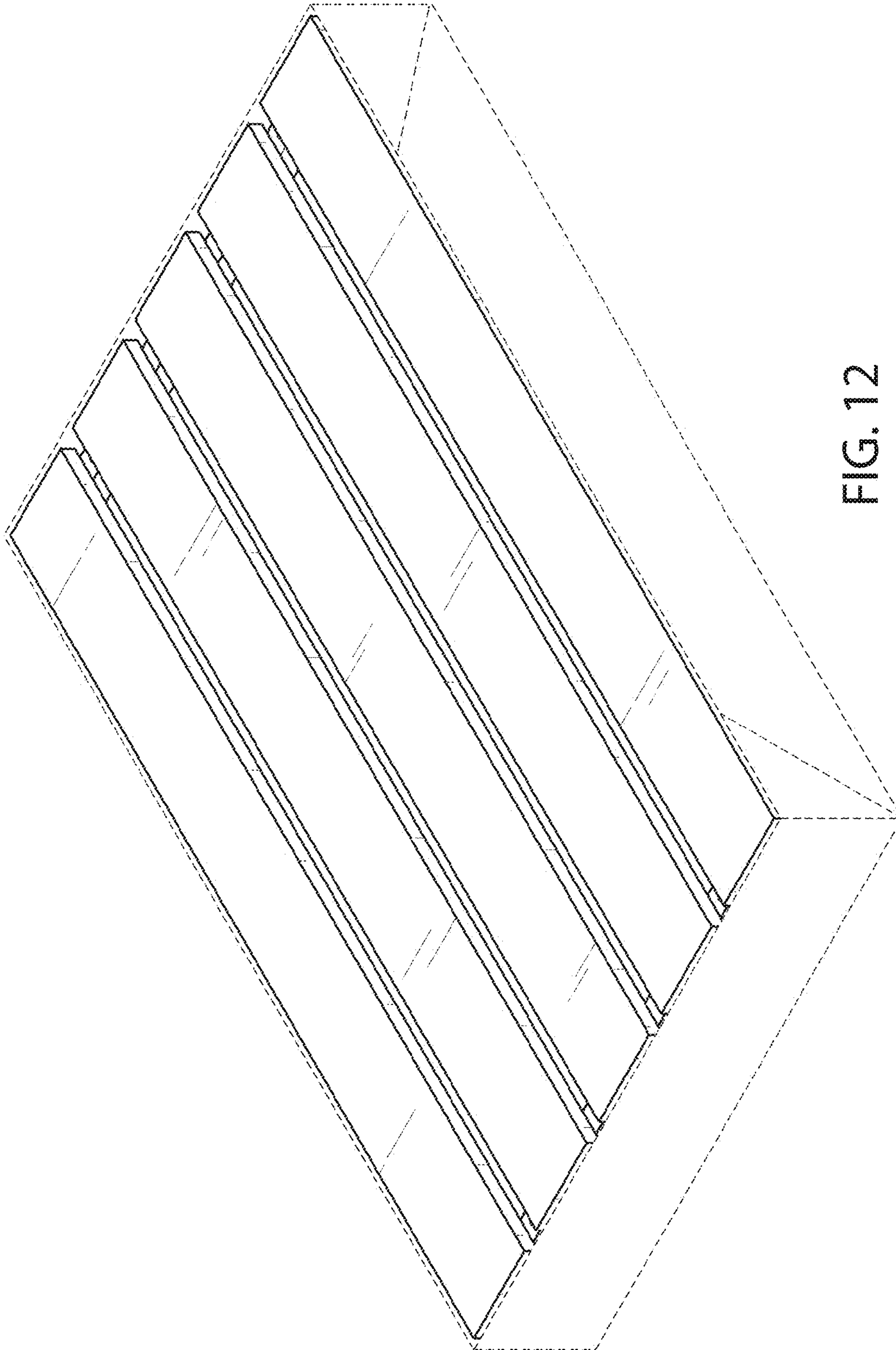


FIG. 12

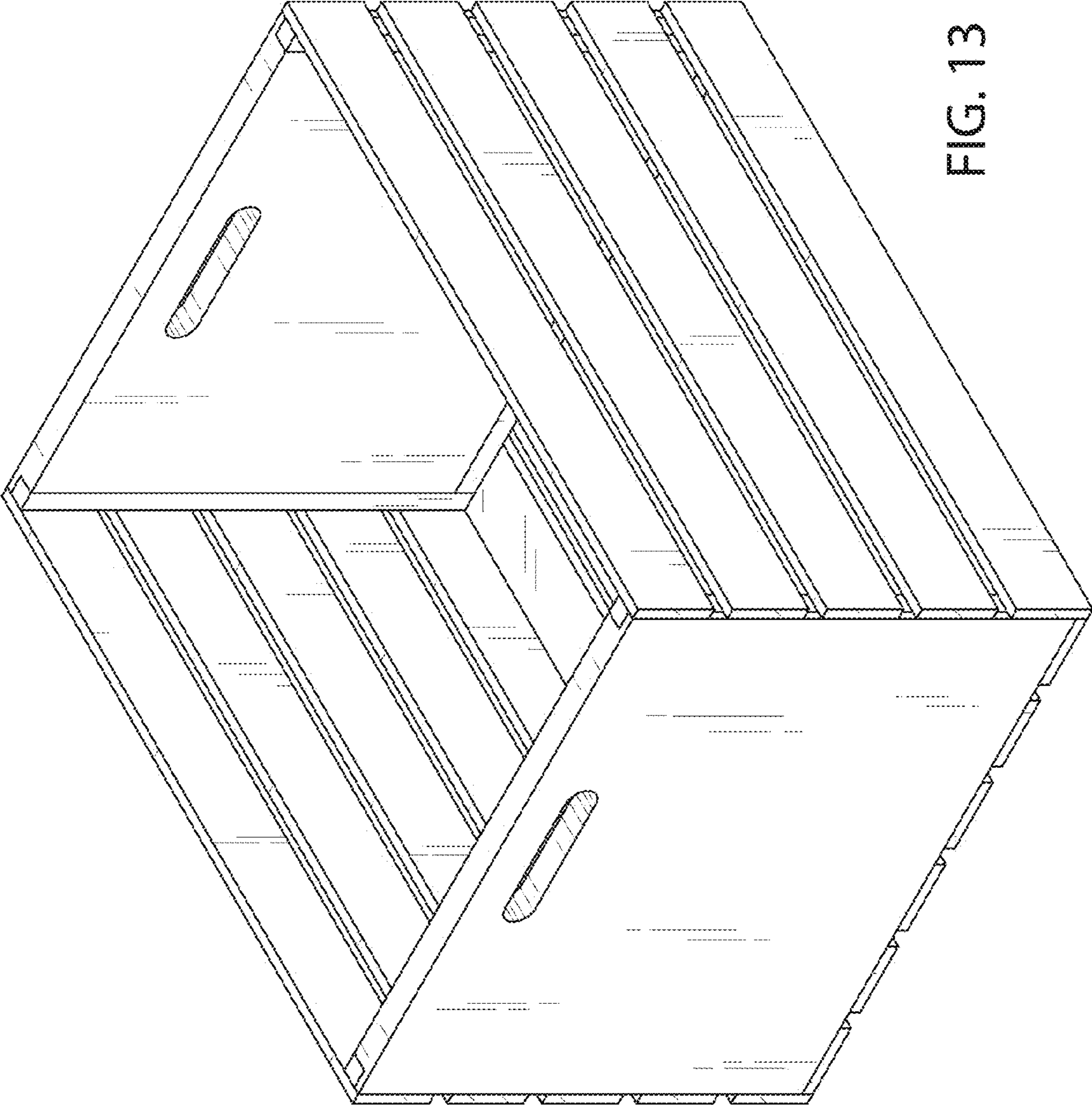


FIG. 13

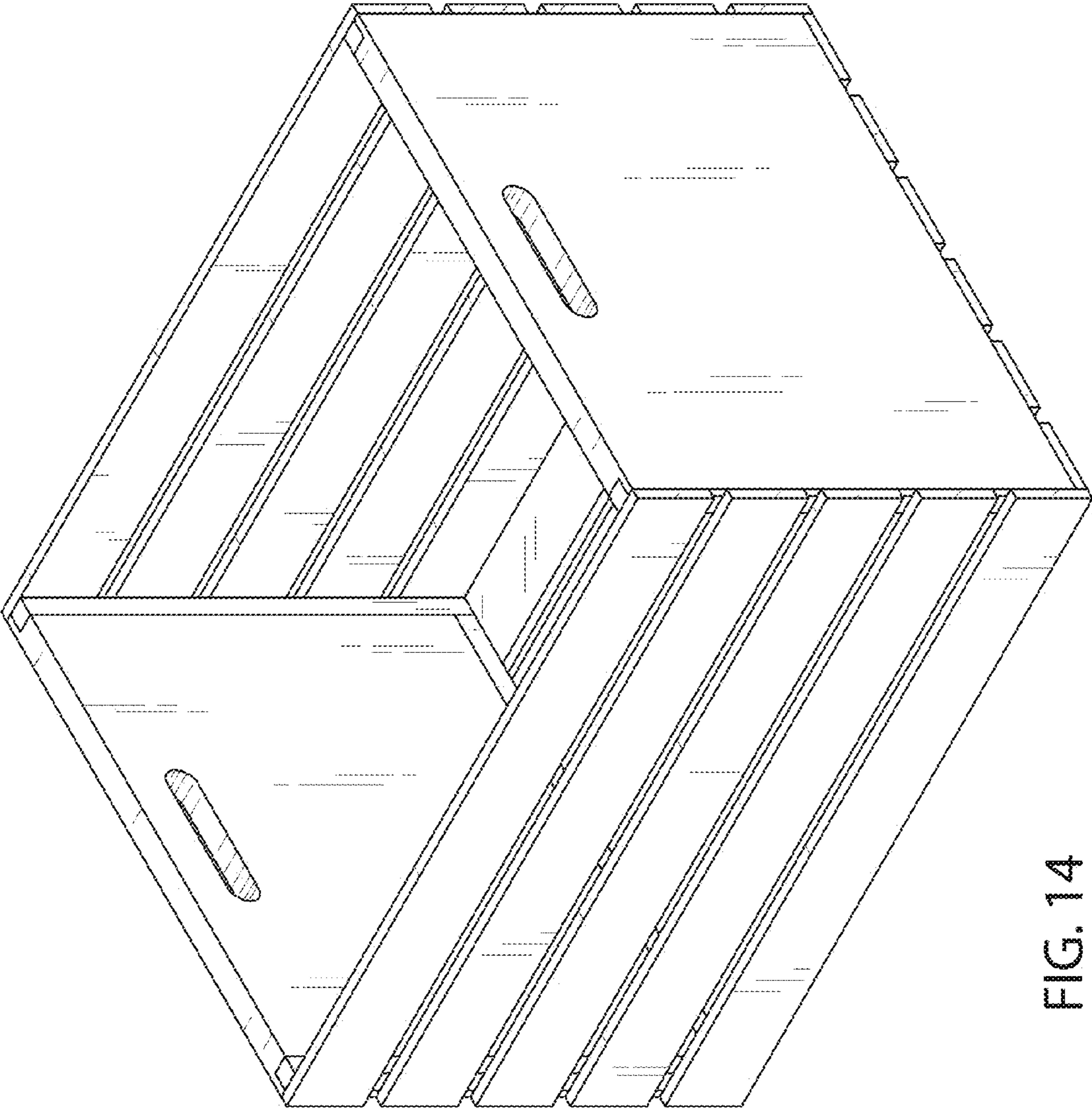


FIG. 14

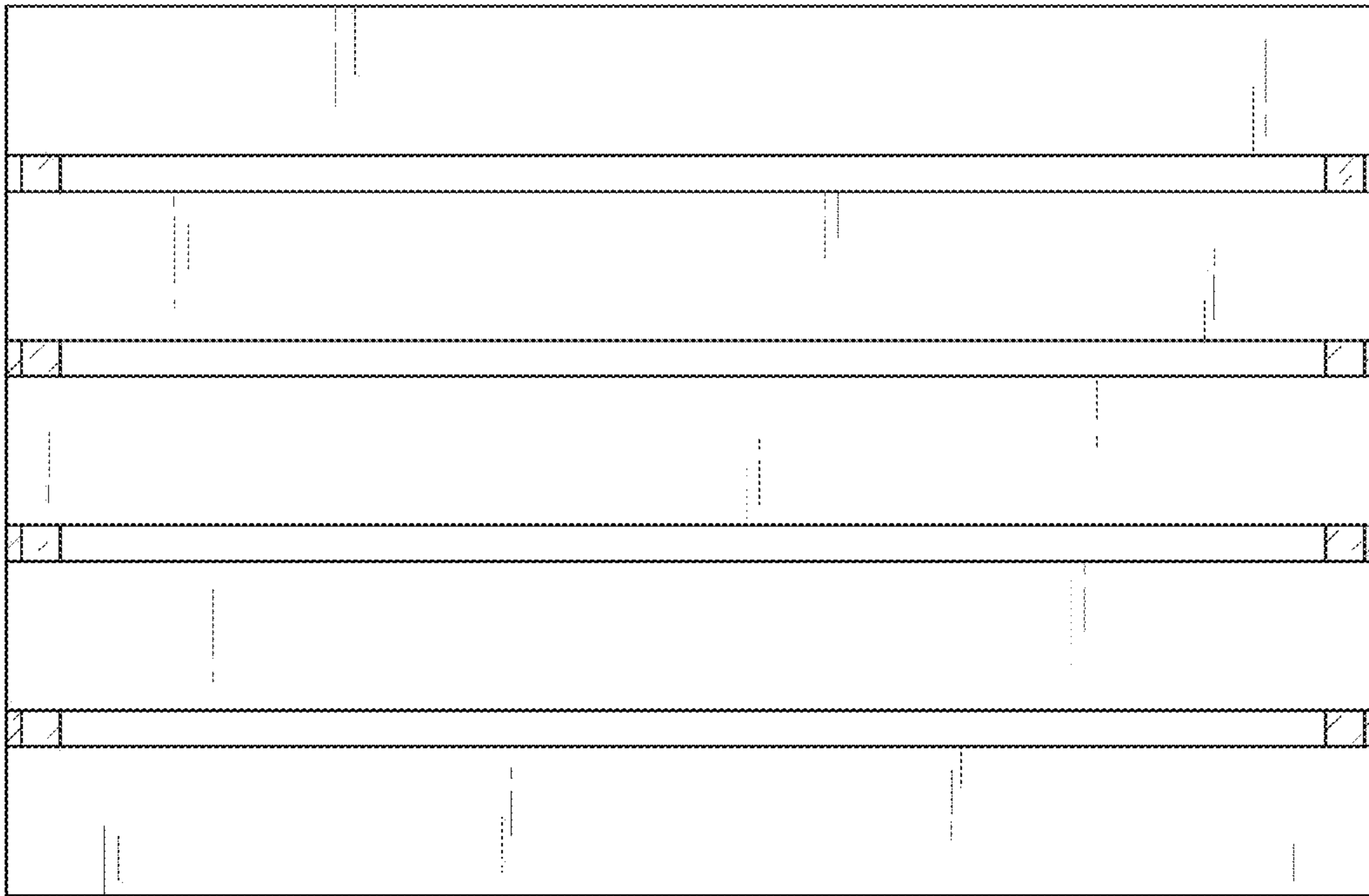


FIG. 15

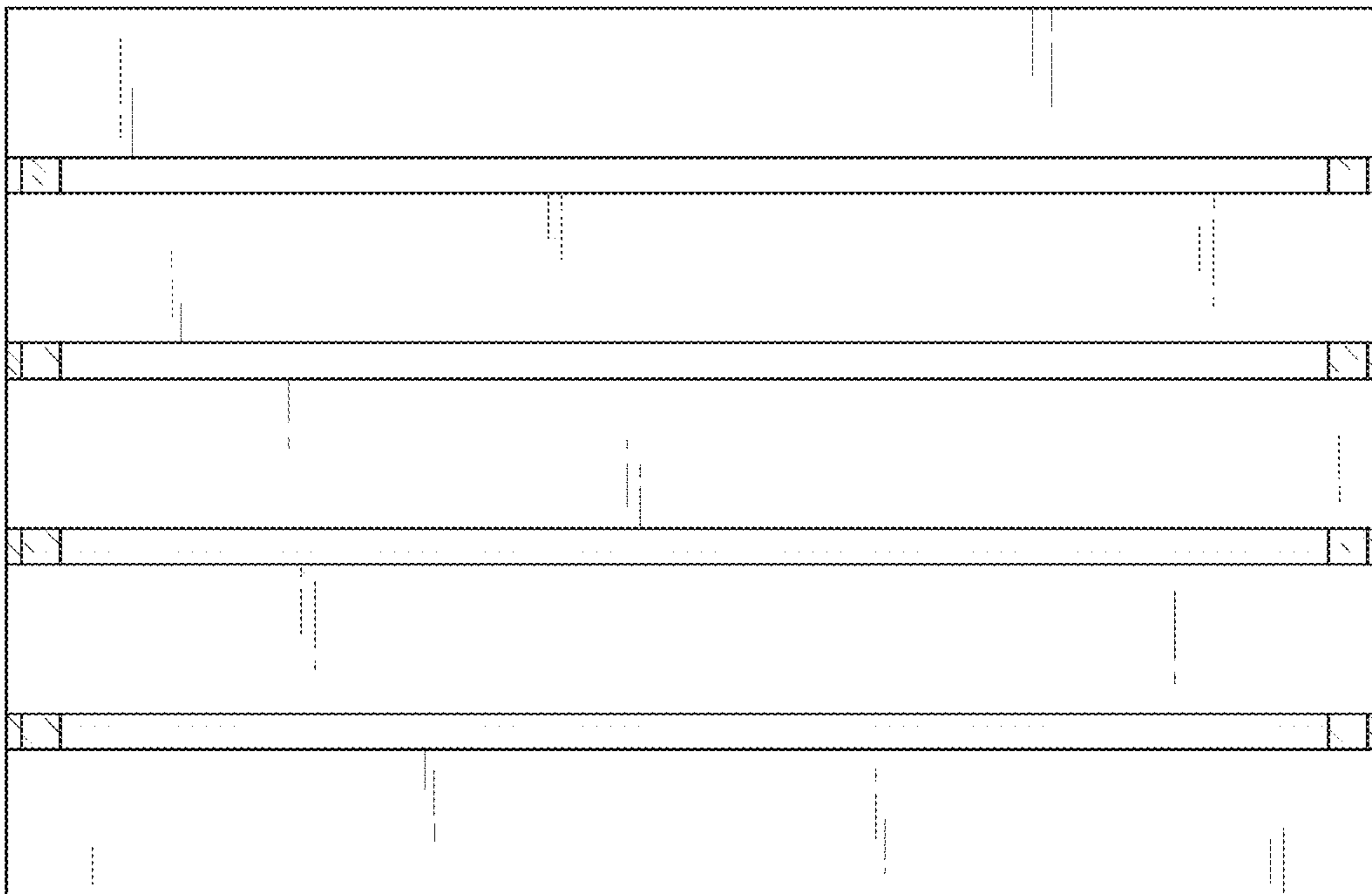


FIG. 16

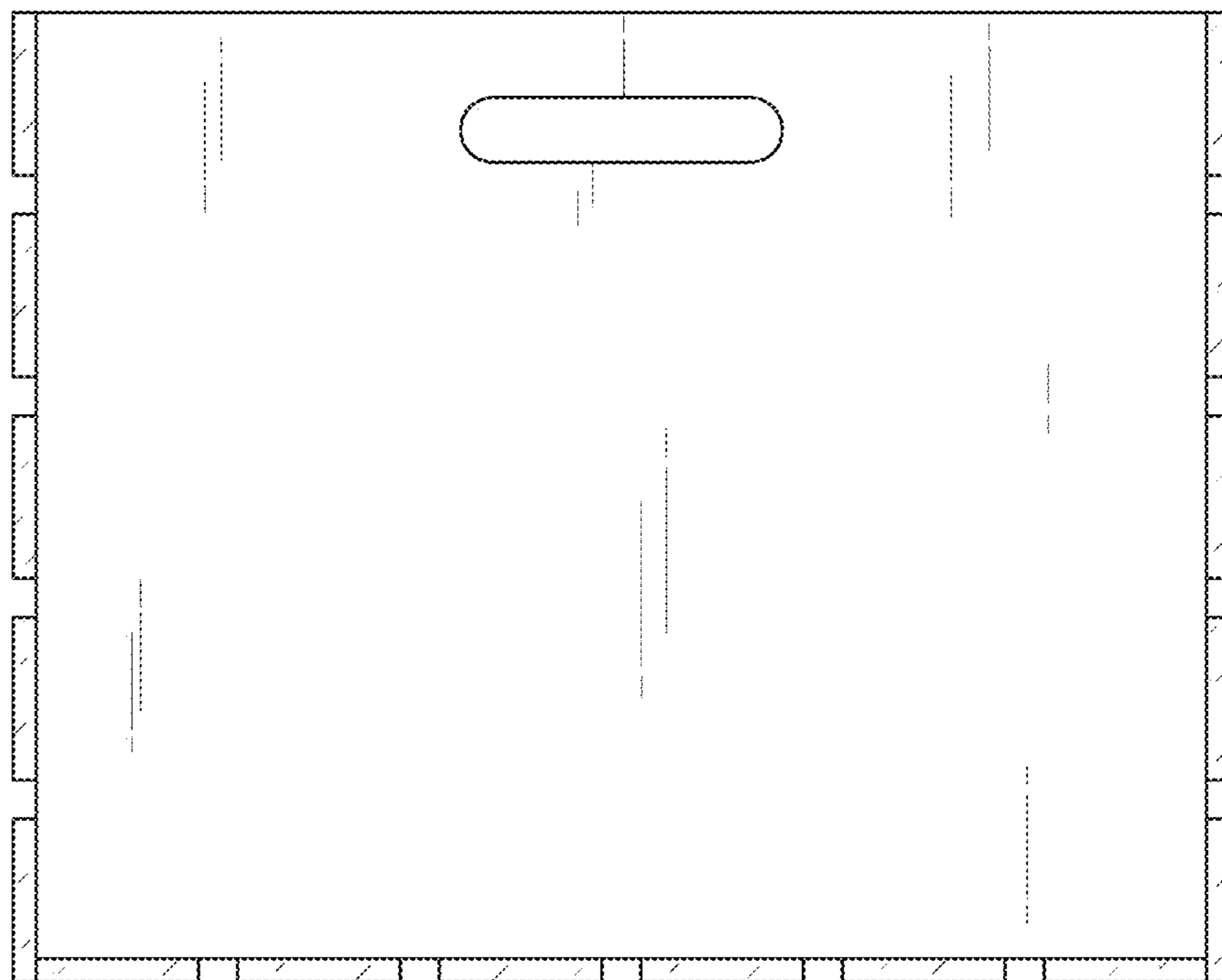


FIG. 17

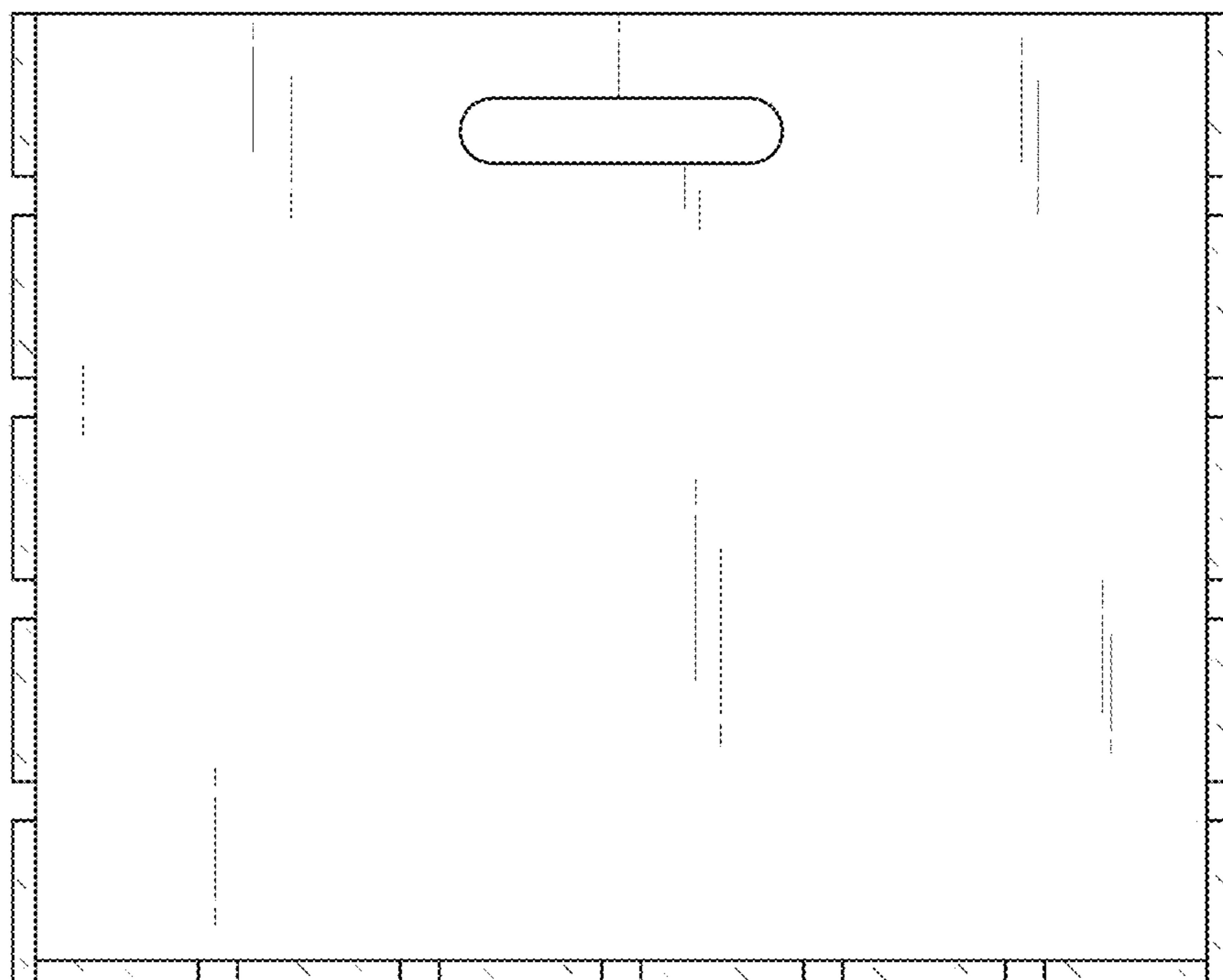


FIG. 18

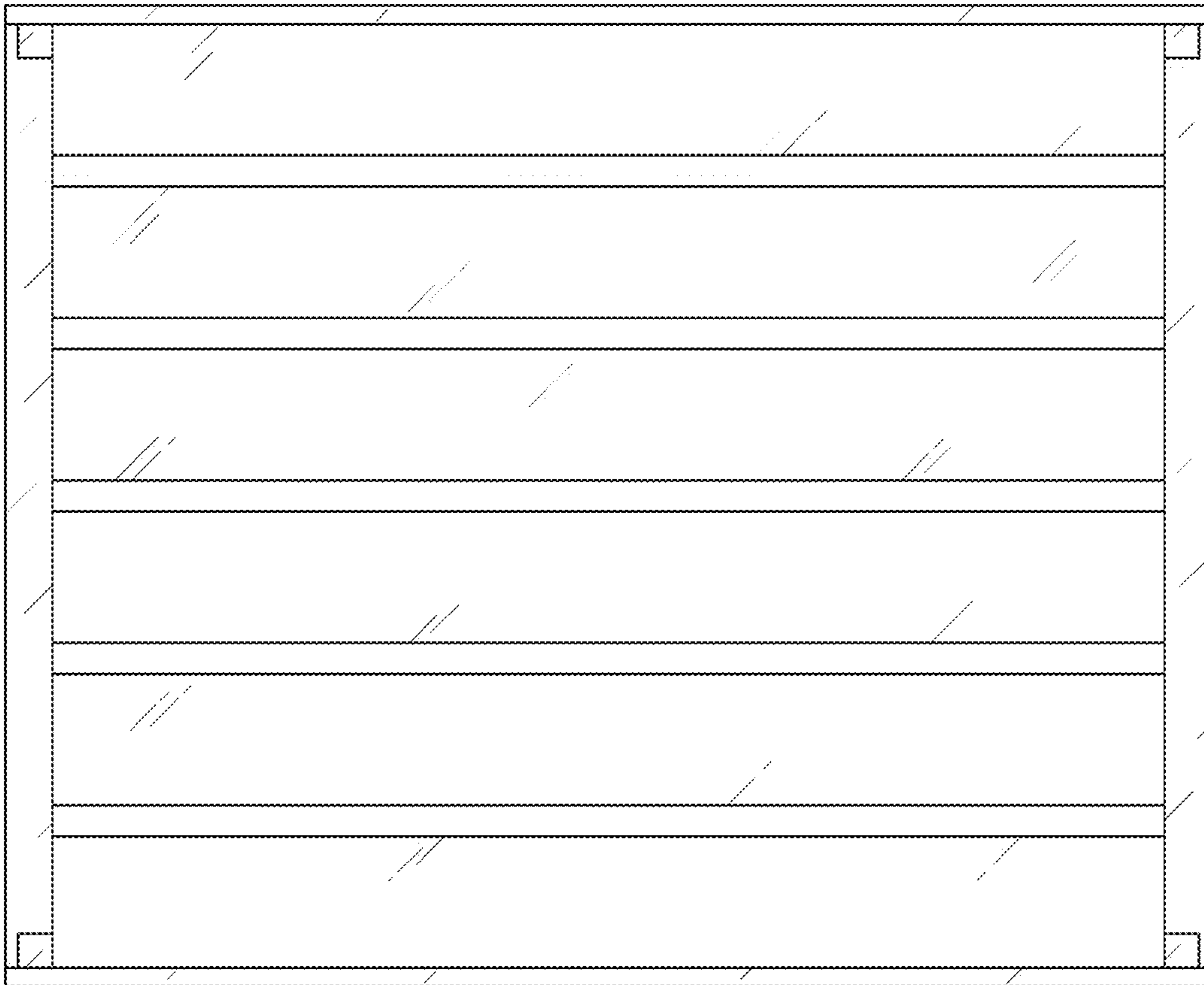


FIG. 19



FIG. 20

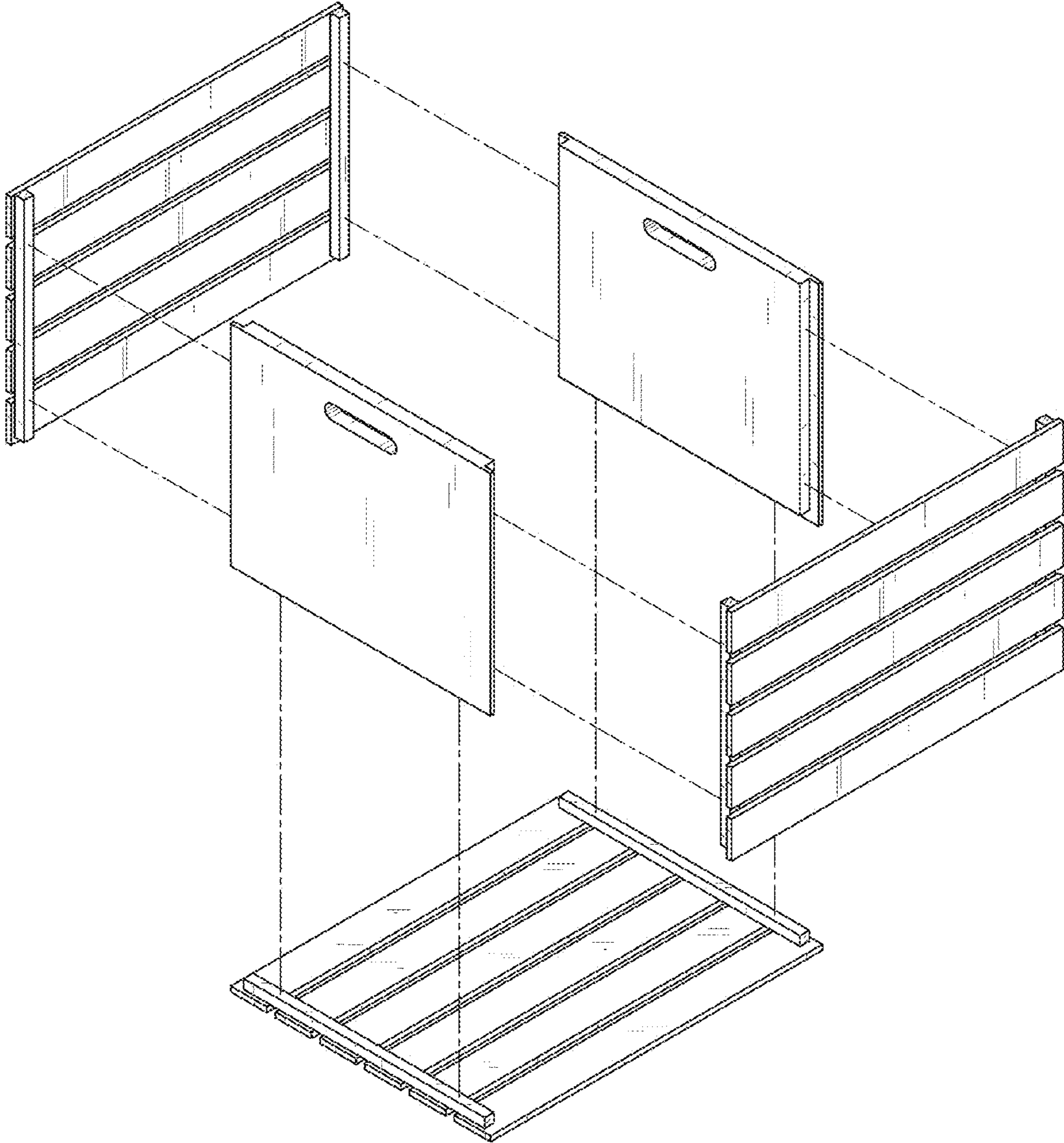


FIG. 21

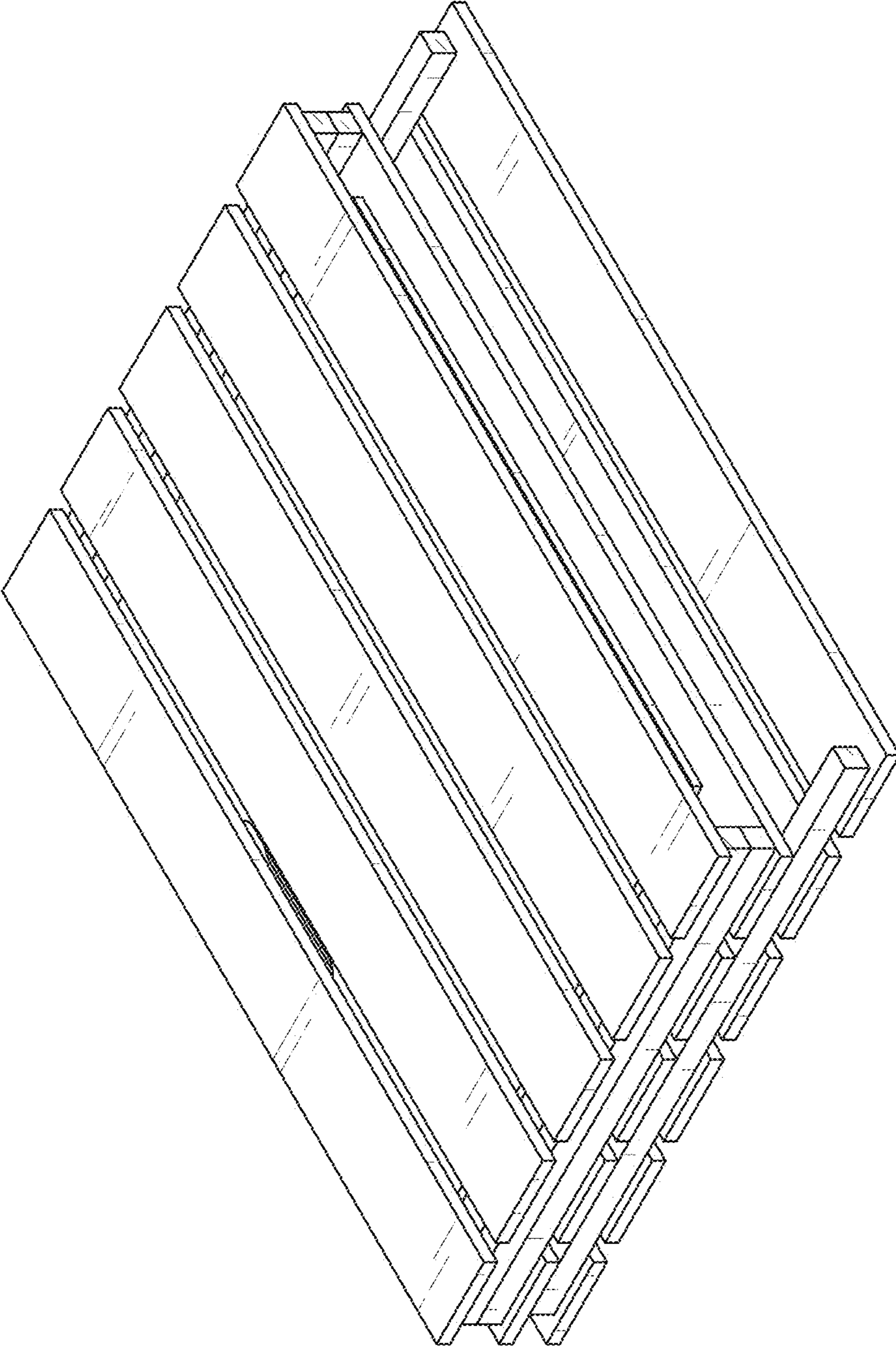


FIG. 22

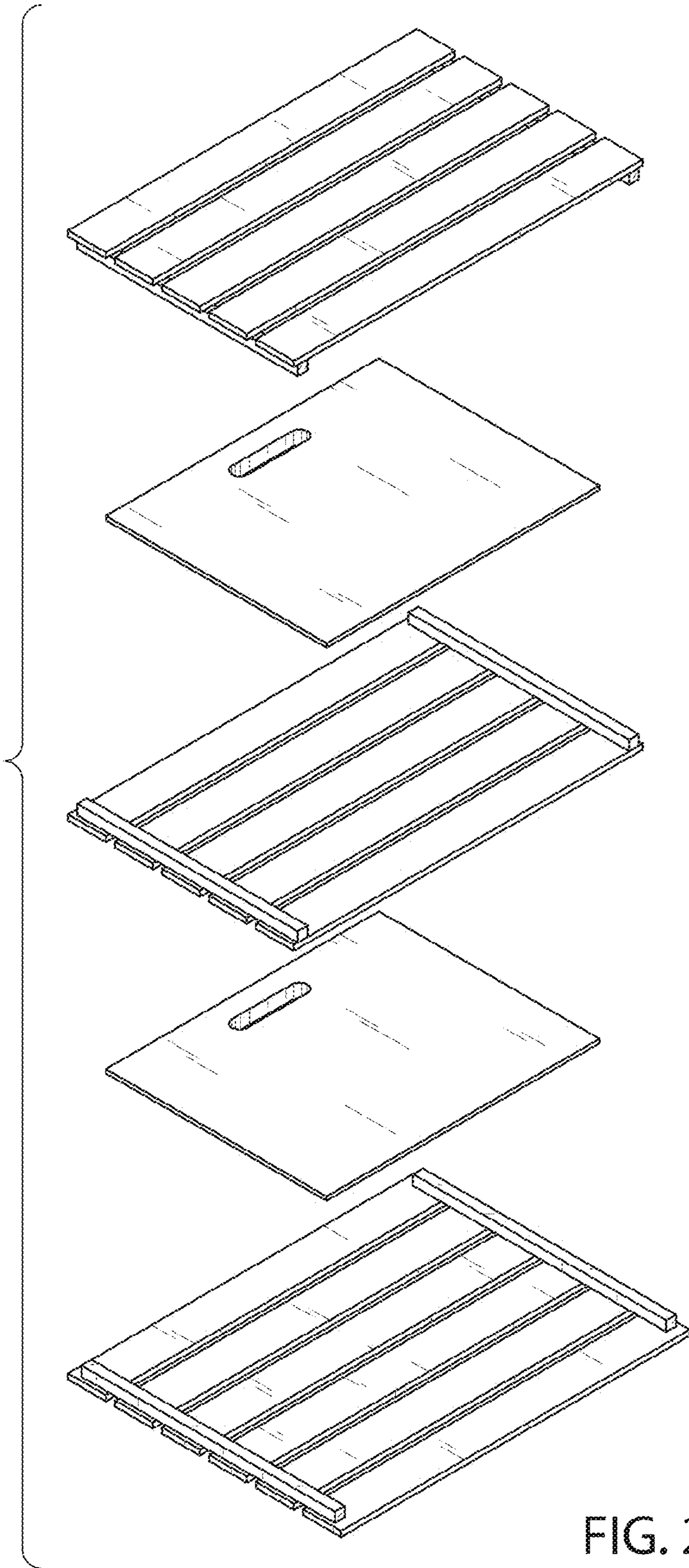


FIG. 23

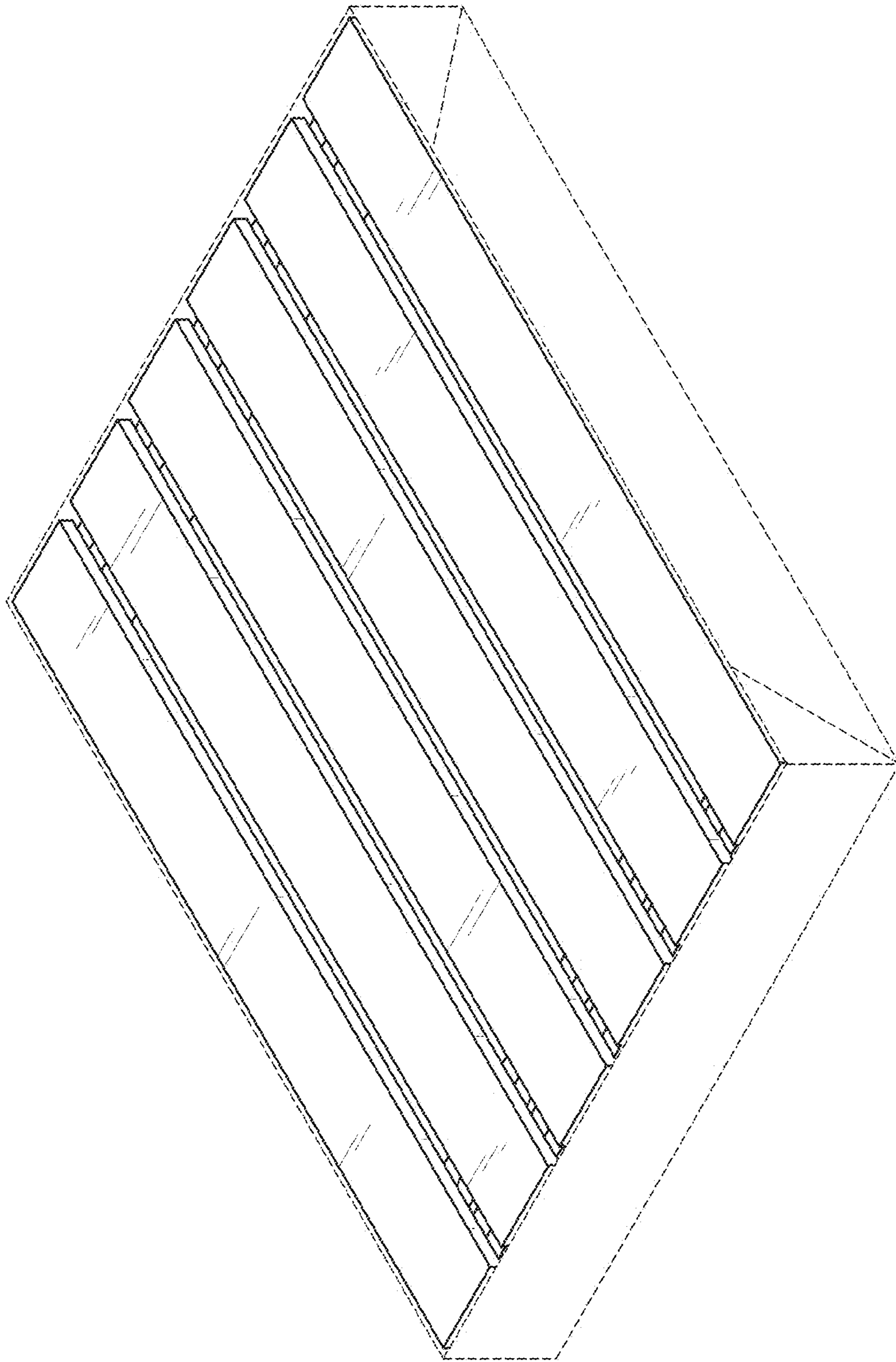


FIG. 24

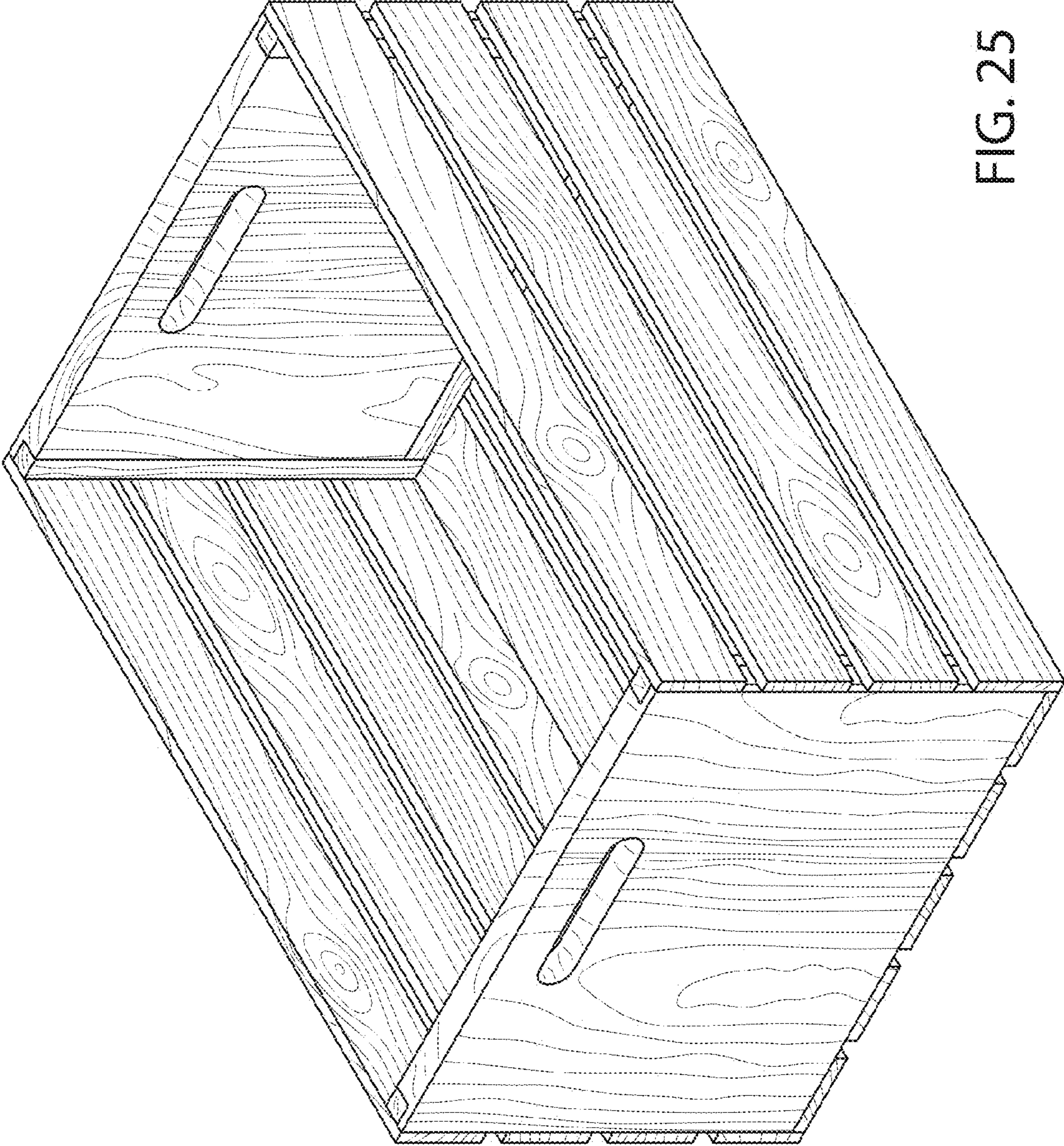


FIG. 25