



US00D747607S

(12) **United States Design Patent**
Serell

(10) **Patent No.:** **US D747,607 S**
(45) **Date of Patent:** **** Jan. 19, 2016**

(54) **RECTANGULAR LOCKING CONTAINER**

(71) Applicant: **Sean Serell**, Fort Collins, CO (US)

(72) Inventor: **Sean Serell**, Fort Collins, CO (US)

(73) Assignee: **Secure Medication Systems, LLC**, Fort Collins, CO (US)

(**) Term: **14 Years**

(21) Appl. No.: **29/497,883**

(22) Filed: **Jul. 29, 2014**

(51) **LOC (10) Cl.** **03-01**

(52) **U.S. Cl.**

USPC **D3/294**; D3/298; D3/203.1

(58) **Field of Classification Search**

USPC D3/273, 276, 280, 282, 283, 284, 286,
D3/288, 292, 294, 295, 901, 903, 905, 302,
D3/306, 304, 272, 232, 247, 425,
D3/203.1-203.4; 206/503, 207, 419, 505,
206/507, 511, 518, 559, 509, 506, 373, 501,
206/823, 515, 520, 528, 540, 536;
220/23.86, 373, 553, 759, 506, 802,
220/822, 4.25, 23.6, 354, 355, 306, 307;
D9/423, 424, 425; 70/267, 63, 312,
70/323, 319, 168, 318, 329, 317; 215/206,
215/208; 292/152, 148

CPC A61J 1/1437; B65D 55/145; E05B 37/02
See application file for complete search history.

(56) **References Cited**

U.S. PATENT DOCUMENTS

3,837,692 A * 9/1974 Ayers et al. 292/152
5,277,325 A * 1/1994 Yan 215/206

D376,691 S * 12/1996 Naas et al. D3/294
D412,786 S * 8/1999 Killinger D3/273
D516,309 S * 3/2006 Richardson et al. D3/273
D527,182 S * 8/2006 Ham D3/294
7,891,220 B2 * 2/2011 Yen et al. 70/63
7,931,143 B1 * 4/2011 Lin 206/373
8,020,415 B2 * 9/2011 Corbin et al. 70/63
8,678,230 B2 * 3/2014 Smyers 220/784
8,875,915 B2 * 11/2014 Serell 215/206
8,938,999 B2 * 1/2015 Dahl 70/165
8,939,301 B1 * 1/2015 Small 215/206
2009/0084801 A1 * 4/2009 Coe 220/740
2010/0281930 A1 * 11/2010 Hacker 70/14

* cited by examiner

Primary Examiner — Jennifer Rivard

Assistant Examiner — April Rivas

(74) *Attorney, Agent, or Firm* — William W. Cochran;
Cochran Freund & Young LLC

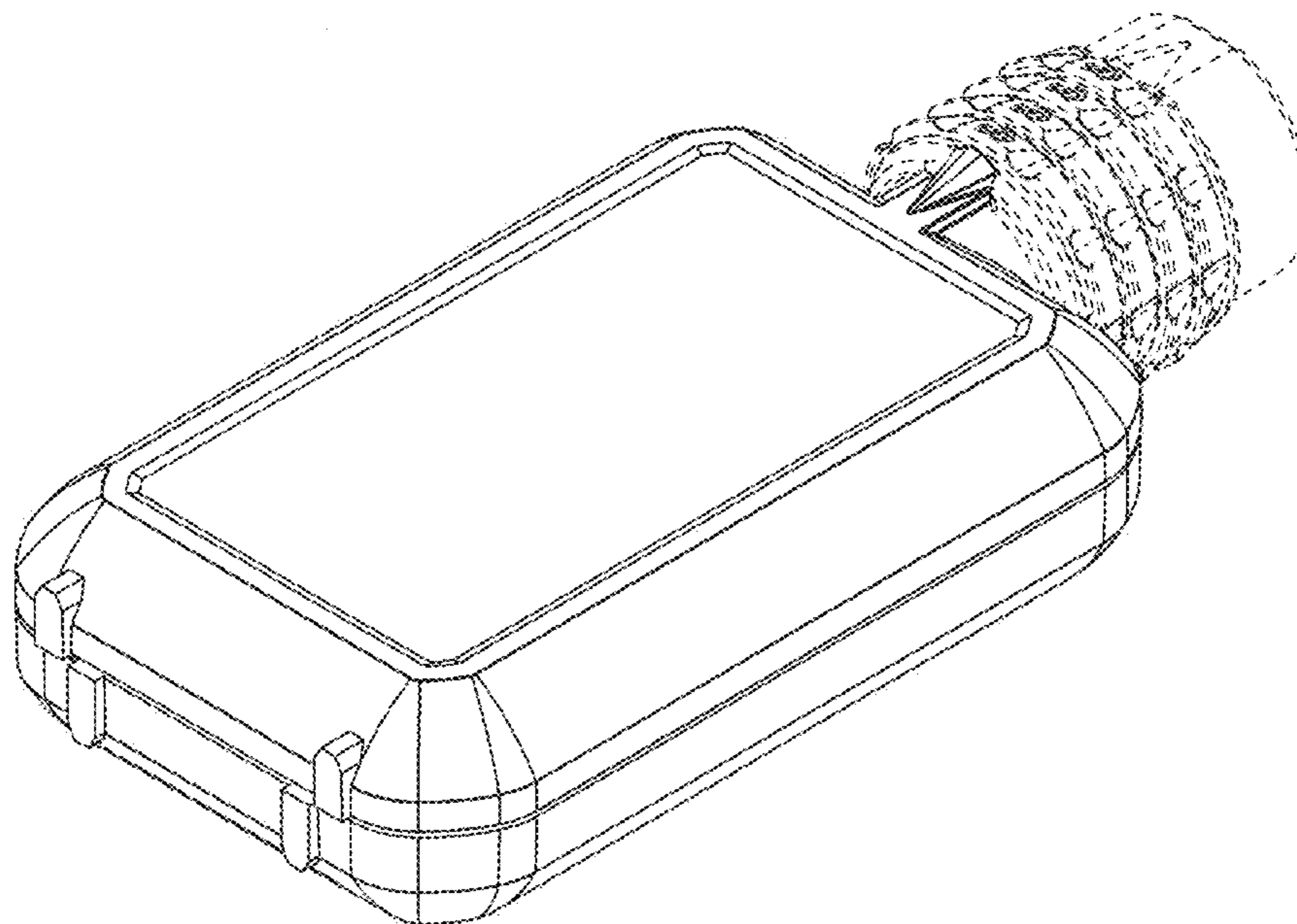
(57) **CLAIM**

The ornamental design for a rectangular locking container, as shown and described.

DESCRIPTION

FIG. 1 is a top isometric view of a rectangular locking container showing my new design.
FIG. 2 is a front view thereof.
FIG. 3 is a back view thereof.
FIG. 4 is a top view thereof.
FIG. 5 is a bottom view thereof.
FIG. 6 is a left side view thereof; and,
FIG. 7 is a right side view thereof.
The broken lines illustrate portions of the locking container and form no part of the claimed design.

1 Claim, 5 Drawing Sheets



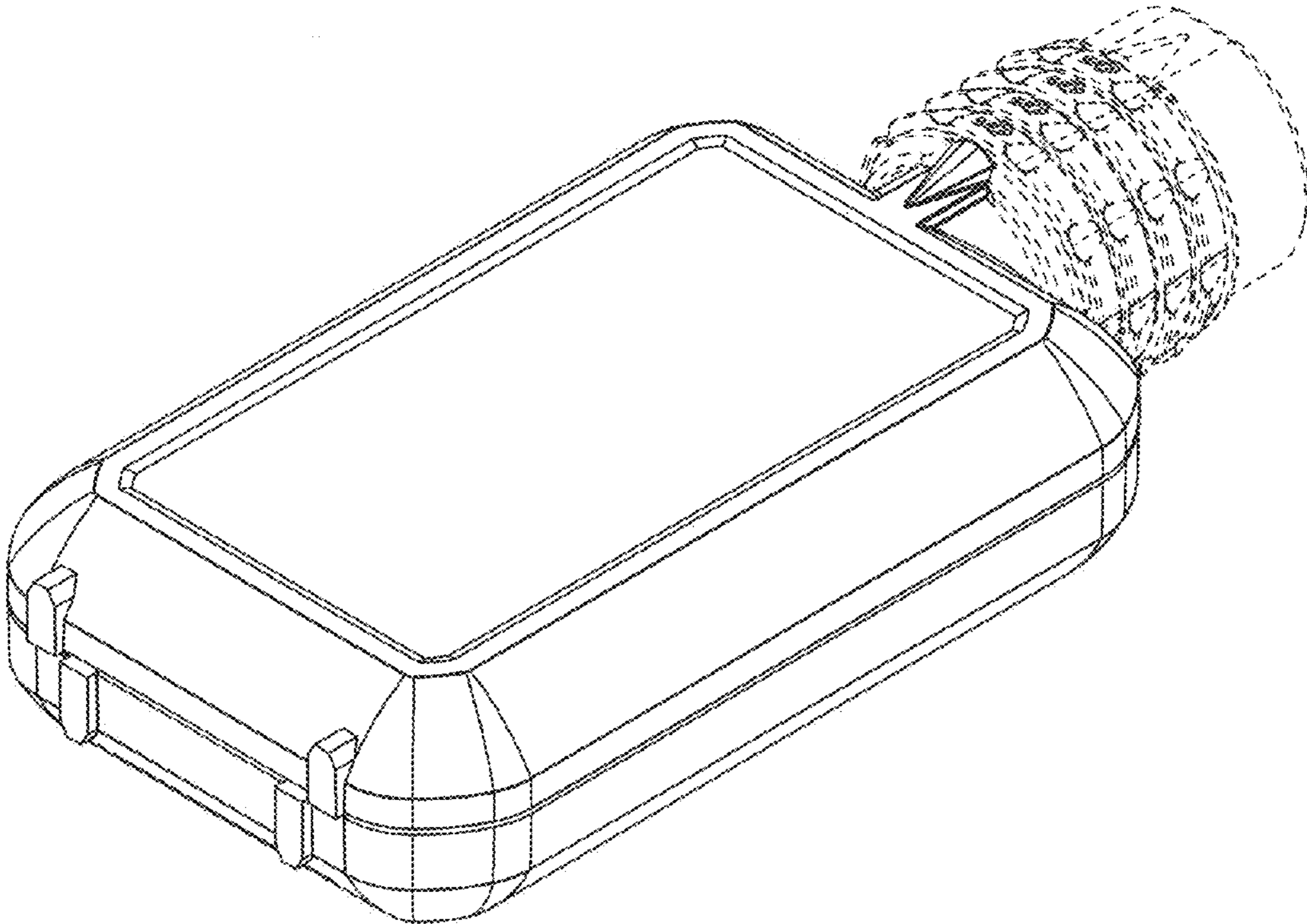


Fig. 1

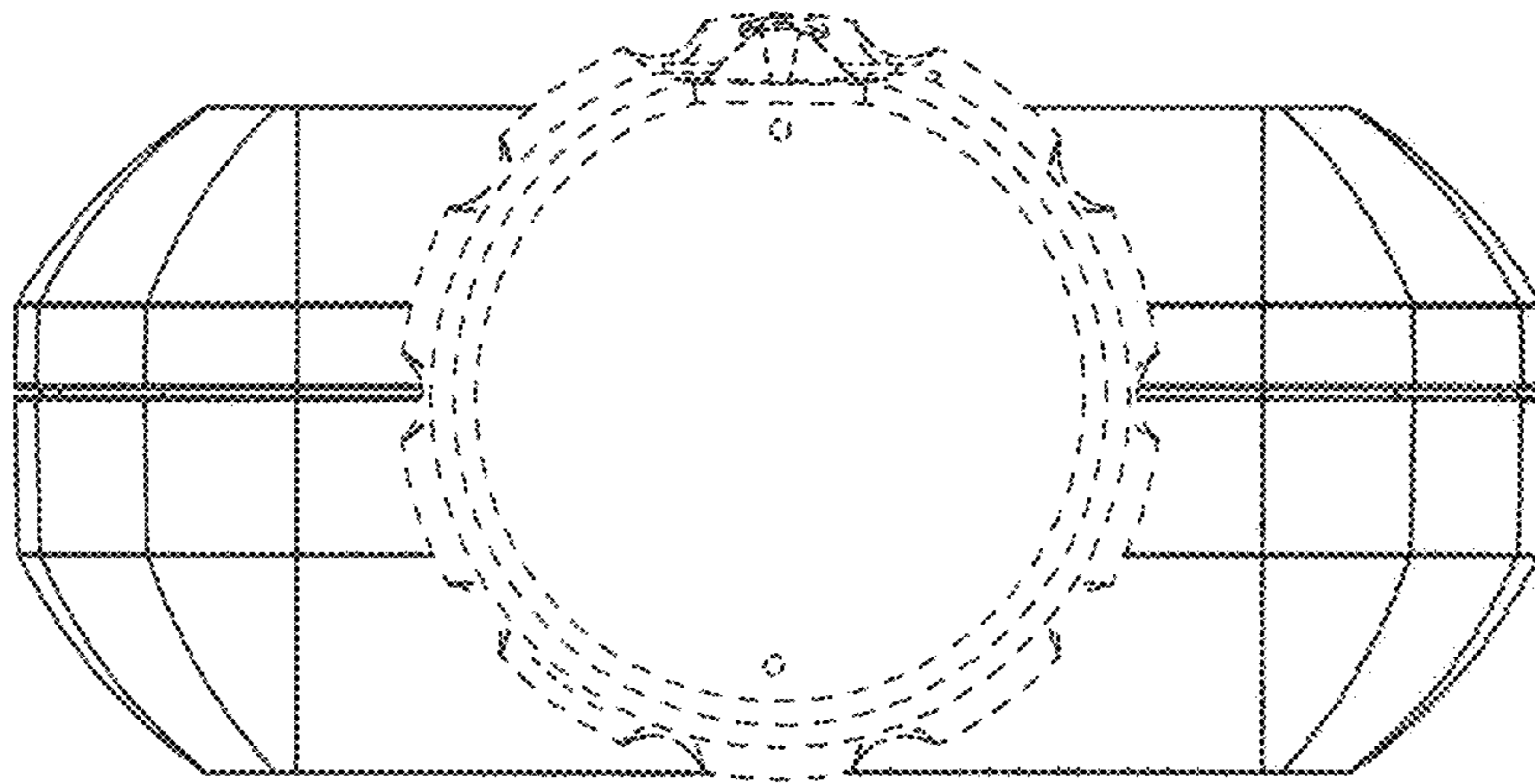


Fig. 2

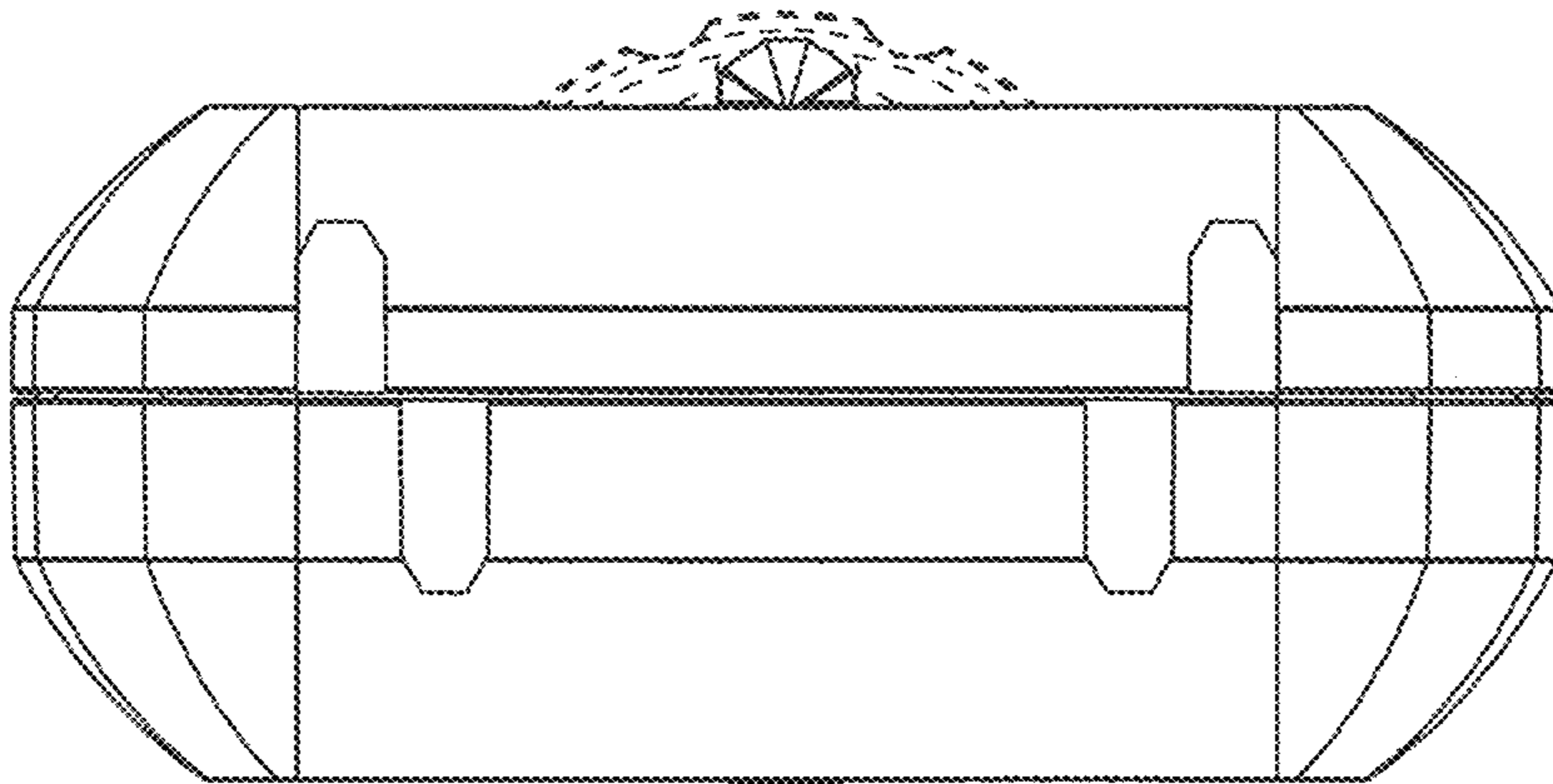


Fig. 3

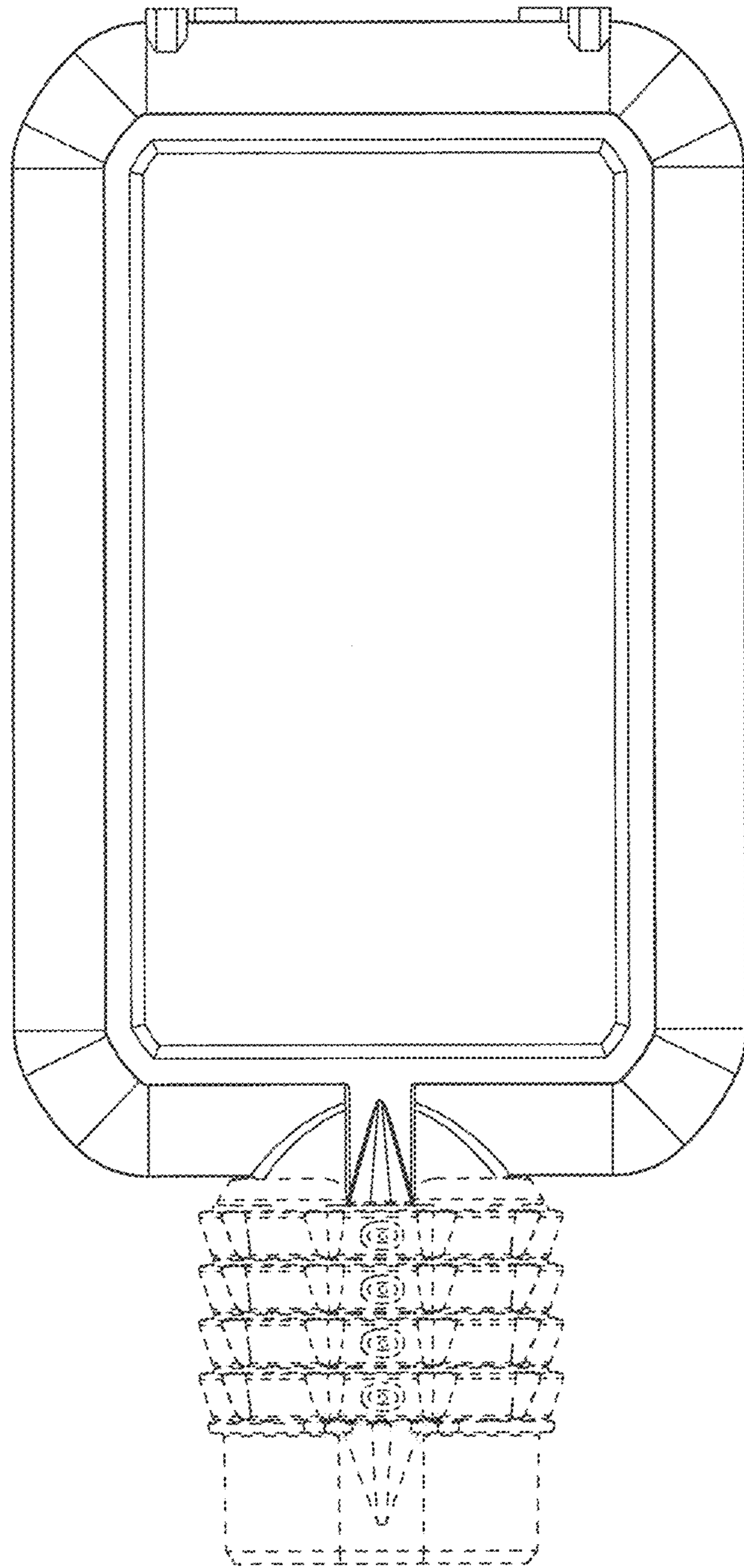


Fig. 4

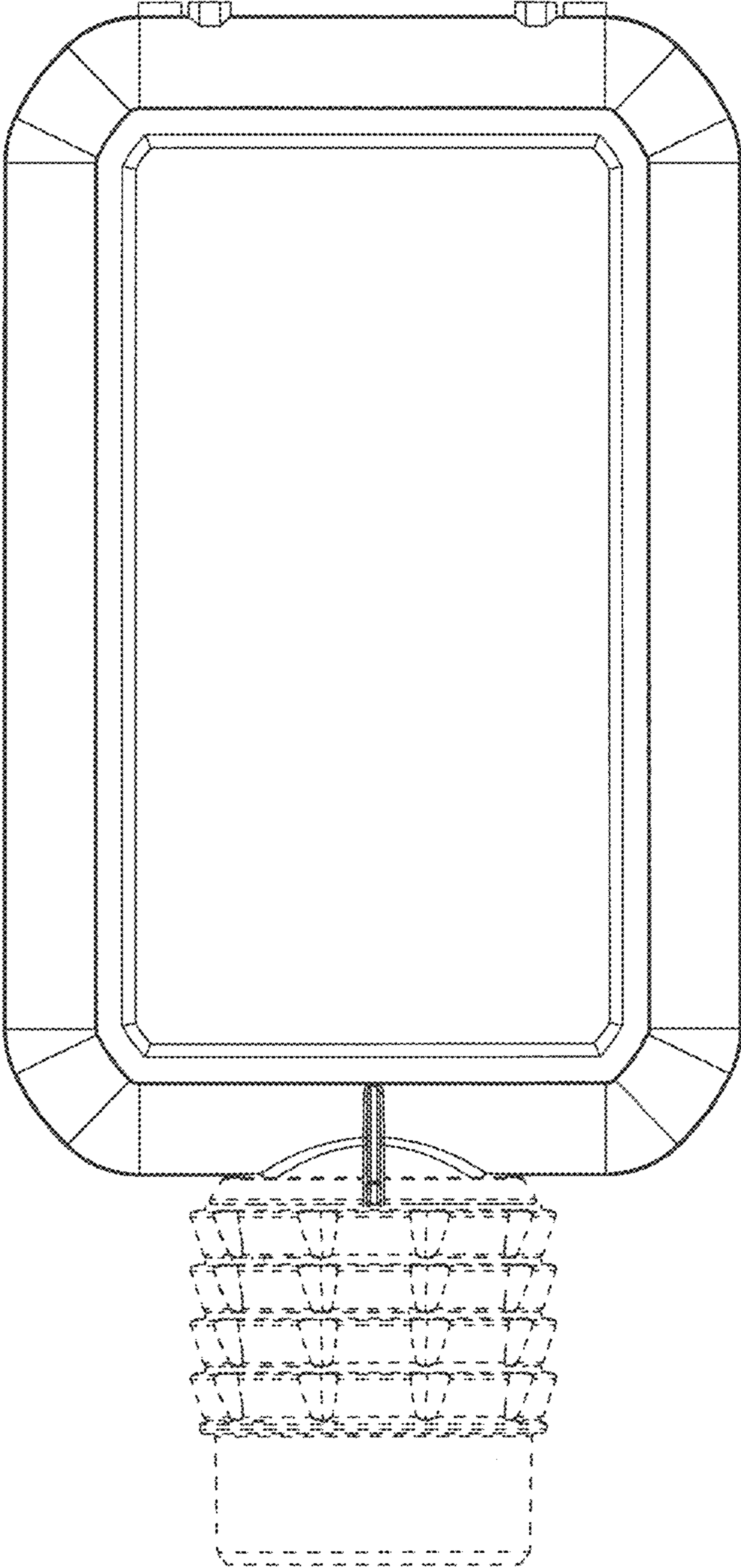


Fig. 5

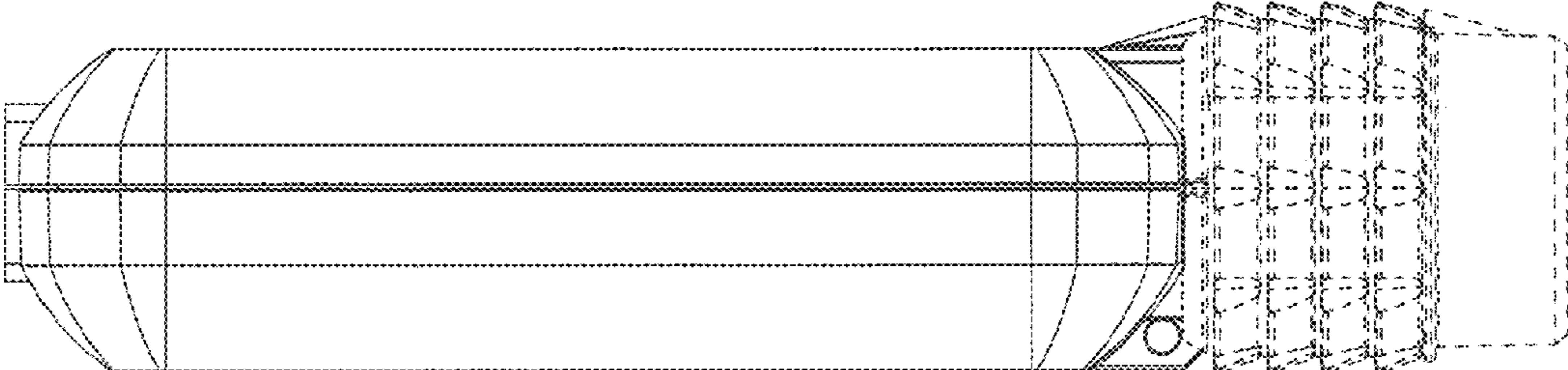


Fig. 6

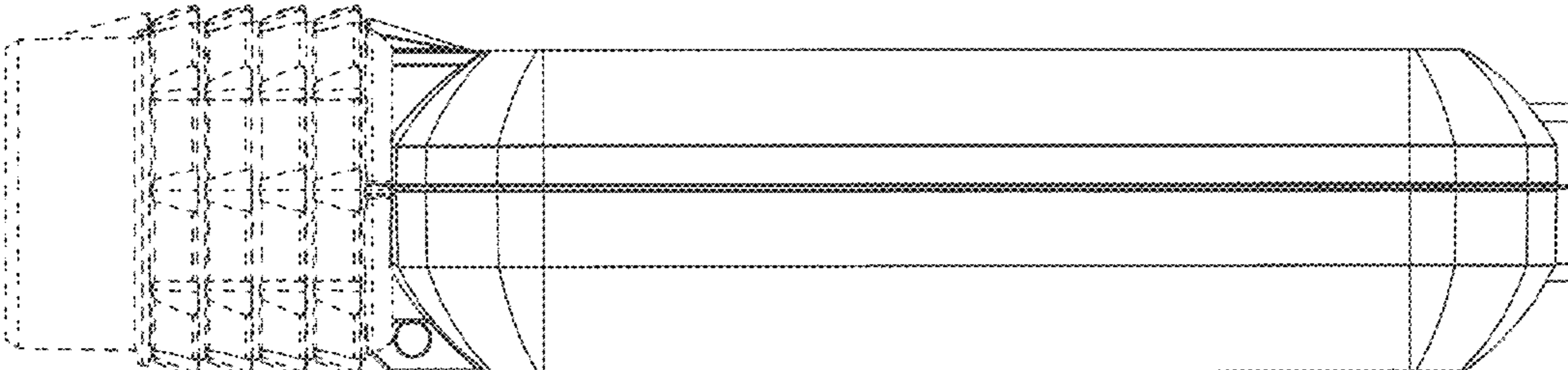


Fig. 7