



US00D747596S

(12) **United States Design Patent**
Vestuti et al.

(10) **Patent No.:** **US D747,596 S**
(45) **Date of Patent:** **** Jan. 19, 2016**

(54) **SHOE SOLE**

(71) Applicant: **Reebok International Limited**, London (GB)

(72) Inventors: **Ricardo Vestuti**, Providence, RI (US); **Kevin Leary**, Dedham, MA (US); **Mike Andrews**, East Falmouth, MA (US); **William McInnis**, Westwood, MA (US)

(73) Assignee: **Reebok International Limited**, London (GB)

(**) Term: **14 Years**

(21) Appl. No.: **29/479,405**

(22) Filed: **Jan. 15, 2014**

Related U.S. Application Data

(60) Division of application No. 29/452,064, filed on Apr. 11, 2013, now Pat. No. Des. 697,704, which is a division of application No. 29/402,548, filed on Sep. 23, 2011, now Pat. No. Des. 682,518, which is a

(Continued)

(51) **LOC (10) Cl.** **02-04**

(52) **U.S. Cl.**
USPC **D2/955**; D2/951; D2/953; D2/954;
D2/959; D2/960

(58) **Field of Classification Search**

USPC D2/902, 947, 951-954, 956-960;
36/103, 3 B, 22 R, 25 R, 32 R, 59 C, 67 A;
D5/32, 37

CPC A43B 13/00; A43B 13/02; A43B 13/023;
A43B 13/026; A43B 13/04; A43B 13/08;
A43B 13/10; A43B 13/12; A43B 13/114;
A43B 13/141; A43B 13/143; A43B 13/16;
A43B 13/18; A43B 13/181; A43B 13/187;
A43B 13/189; A43B 13/20; A43B 13/22;
A43B 13/223; A43B 13/24; A43B 13/28;
A43B 13/30; A43B 13/32; A43B 13/34;
A43B 13/36

See application file for complete search history.

(56) **References Cited**

U.S. PATENT DOCUMENTS

33,051 A 8/1861 Port
D39,747 S 1/1909 McKenna

(Continued)

FOREIGN PATENT DOCUMENTS

CH 699482 3/2010
EP 1120056 8/2001

(Continued)

OTHER PUBLICATIONS

Reebok Fall 2002 Footwear Catalog, p. 14, showing the U-Shuffle DMX shoe.

(Continued)

Primary Examiner — T. Chase Nelson

(74) *Attorney, Agent, or Firm* — Sterne, Kessler, Goldstein & Fox P.L.L.C.

(57) **CLAIM**

The ornamental design for a shoe sole, as shown and described.

DESCRIPTION

FIG. 1 is a bottom perspective view of a shoe sole showing our new design;

FIG. 2 is a front view thereof;

FIG. 3 is a rear view thereof;

FIG. 4 is a side view thereof;

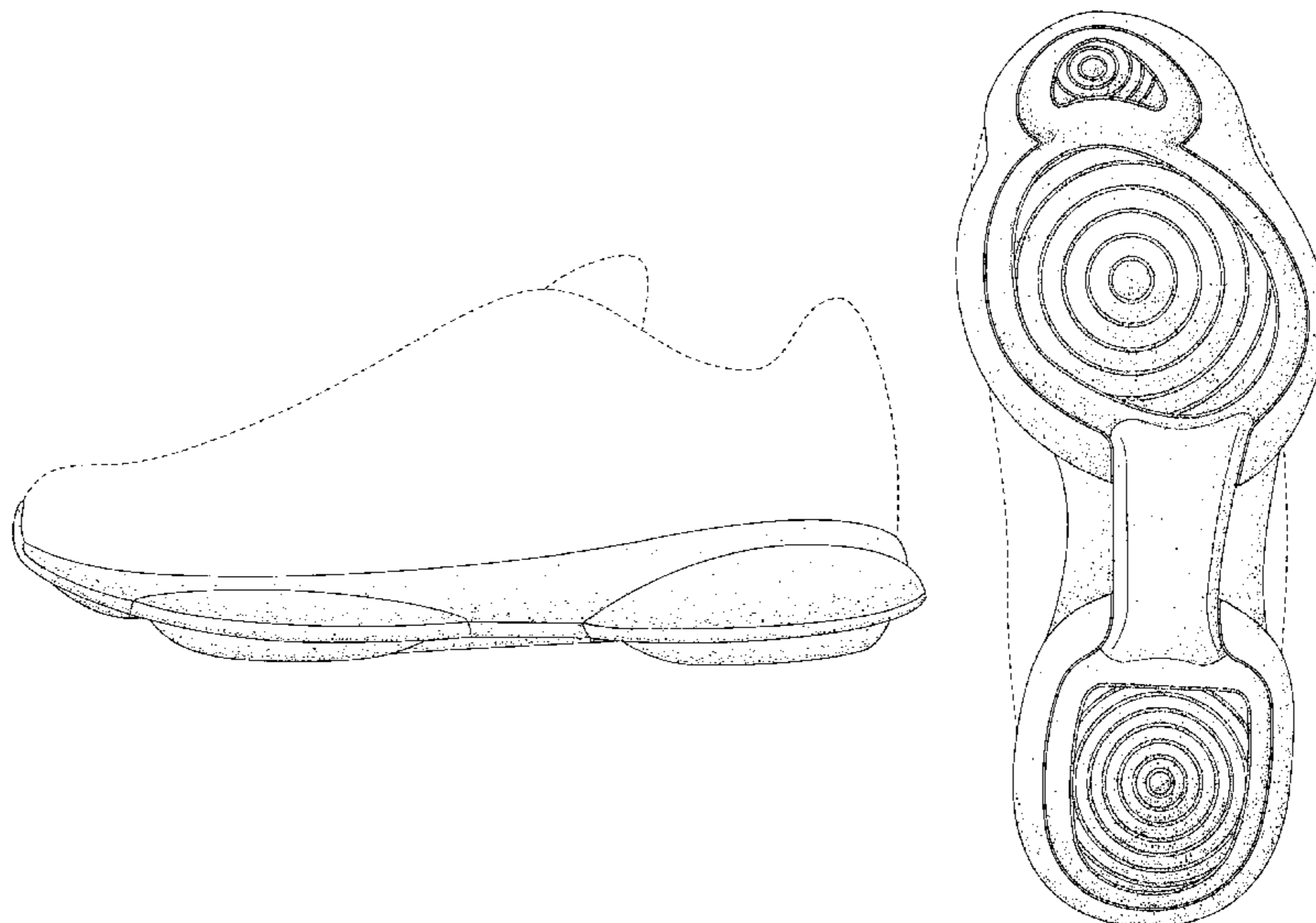
FIG. 5 is another side view thereof;

FIG. 6 is a top plan view thereof; and,

FIG. 7 is a bottom view thereof.

The broken lines and unshaded areas within the broken lines depict environment and form no part of the claimed design.

1 Claim, 6 Drawing Sheets



Related U.S. Application Data

continuation of application No. 29/364,048, filed on Jun. 17, 2010, now Pat. No. Des. 648,517, which is a division of application No. 29/339,457, filed on Jun. 30, 2009, now Pat. No. Des. 619,343, which is a continuation of application No. 29/325,242, filed on Sep. 26, 2008, now Pat. No. Des. 597,267.

(56)

References Cited

U.S. PATENT DOCUMENTS

1,120,082	A	12/1914	Rhodes	D464,188	S	10/2002	Lozano
1,272,556	A	7/1918	Steward	6,505,420	B1	1/2003	Litchfield et al.
1,552,022	A	9/1925	Willson	6,516,540	B2	2/2003	Seydel et al.
1,979,972	A	11/1934	Guild	D475,514	S	6/2003	Burg et al.
2,081,226	A	5/1937	Coezella	D478,412	S	8/2003	Adams
D123,602	S	11/1940	Reeves	D482,851	S	12/2003	McClaskie
D125,656	S	3/1941	Cutler	D482,852	S	12/2003	Belley et al.
2,365,027	A	12/1944	Urbany	D487,838	S	3/2004	McClaskie
D125,657	S	3/1947	Cutler	D492,096	S	6/2004	Sanchez et al.
D234,930	S	4/1975	Arambasic et al.	6,745,499	B2	6/2004	Christensen et al.
D248,429	S	7/1978	Inohara	D493,949	S	8/2004	Magro
D259,595	S	6/1981	Famolare, Jr.	D495,860	S	9/2004	Kubo et al.
D265,690	S	8/1982	Famolare, Jr.	D496,526	S	9/2004	Grisoni et al.
D266,798	S	11/1982	Famolare, Jr.	D497,244	S	10/2004	Sedlbauer
D267,288	S	12/1982	Davis	D498,041	S	11/2004	McClaskie
D267,366	S	12/1982	Davis	6,836,978	B1	1/2005	Lauer et al.
4,400,893	A	8/1983	Musci	D501,293	S	2/2005	Bizzo
4,446,634	A	5/1984	Johnson et al.	D501,706	S	2/2005	McClaskie
4,494,320	A	1/1985	Davis	D504,555	S	5/2005	Urie
D281,370	S	11/1985	Peel	6,979,287	B2	12/2005	Elbaz et al.
D281,641	S	12/1985	Shiki	D513,842	S	1/2006	Paytuvi
D282,123	S	1/1986	Davis	7,080,467	B2	7/2006	Marvin et al.
4,571,852	A	2/1986	Lamarche et al.	7,101,330	B2	9/2006	Elbaz et al.
4,577,417	A	3/1986	Cole	D532,189	S	11/2006	Truelsen
4,653,206	A	3/1987	Tanel	D541,511	S	5/2007	Wu
4,660,304	A	4/1987	Tanel	D551,433	S	9/2007	Loverin
4,669,204	A	6/1987	Tanel	D553,335	S	10/2007	Amado et al.
4,723,365	A	2/1988	Tanel	7,278,445	B2	10/2007	Marvin et al.
4,748,752	A	6/1988	Tanel	D554,836	S	11/2007	Shaffer
D296,950	S	8/1988	Brickwood	D554,838	S	11/2007	McClaskie
4,785,557	A	11/1988	Kelley et al.	D567,484	S	4/2008	James
D299,584	S	1/1989	Franklin et al.	D568,593	S	5/2008	Chen
D303,451	S	9/1989	Weiner	D569,084	S	5/2008	Hatfield et al.
D304,520	S	11/1989	Clark	D569,086	S	5/2008	Le
4,897,936	A	2/1990	Fuerst	D574,582	S	8/2008	Della Valle
D309,370	S	7/1990	Nagai et al.	D576,394	S	9/2008	Heller
5,058,292	A	10/1991	Tanel	D577,179	S	9/2008	Della Valle
D323,059	S	1/1992	Hatfield	7,437,835	B2	10/2008	Marvin et al.
D326,181	S	5/1992	Katz et al.	D582,638	S	12/2008	Ringholz
5,201,126	A	4/1993	Tanel	D583,136	S	12/2008	Amado et al.
5,203,097	A	4/1993	Blair	D585,634	S	2/2009	McClaskie
D343,051	S	1/1994	Bramani	D586,545	S	2/2009	Feldman
5,313,718	A	5/1994	McMahon et al.	D586,984	S	2/2009	Schwartz
5,435,078	A	7/1995	Pyle	D590,586	S	4/2009	Harlow
5,678,329	A	10/1997	Griffin et al.	D591,031	S	4/2009	Cofinco
D388,947	S	1/1998	Sessa	D594,195	S	6/2009	Nakano
D392,790	S	3/1998	Ng	D594,196	S	6/2009	Recchi
D394,741	S	6/1998	Gaudio	D594,200	S	6/2009	Nakano
D394,939	S	6/1998	Avar	7,546,699	B2	6/2009	Ellis, III
D395,156	S	6/1998	Adam	D595,489	S	7/2009	McClaskie
D395,157	S	6/1998	von Conta	7,562,468	B2	7/2009	Ellis, III
5,771,606	A	6/1998	Litchfield et al.	D597,287	S	8/2009	Vestuti et al.
D395,743	S	7/1998	Ryan	D598,185	S	8/2009	McClaskie
D396,549	S	8/1998	von Conta et al.	D601,783	S	10/2009	Pizzuti
D398,440	S	9/1998	Rowland	D602,683	S	10/2009	Roundhouse
D400,344	S	11/1998	Avar	D604,033	S	11/2009	Feldman
D401,043	S	11/1998	Truelsen	D607,185	S	1/2010	Soon
D405,596	S	2/1999	Aird et al.	7,647,710	B2	1/2010	Ellis, III
D416,602	S	11/1999	Finn	D614,838	S	5/2010	Bramani
6,026,593	A	2/2000	Harmon-Weiss et al.	D614,840	S	5/2010	Hogan
D426,947	S	6/2000	Pollastrelli	D614,841	S	5/2010	Hogan
D427,755	S	7/2000	Tresser	7,707,742	B2	5/2010	Ellis, III
6,266,897	B1	7/2001	Seydel et al.	D619,343	S	7/2010	Vestuti et al.
D446,917	S	8/2001	Brown	D621,595	S	8/2010	McClaskie
D459,064	S	6/2002	McClaskie	D622,486	S	8/2010	Goldston et al.
				7,793,429	B2	9/2010	Ellis, III
				7,793,430	B2	9/2010	Ellis
				D625,093	S	10/2010	Lidtke
				D627,545	S	11/2010	Raysse
				D633,695	S	3/2011	Opie
				D635,755	S	4/2011	McMillan
				D636,157	S	4/2011	Nascimento
				D636,159	S	4/2011	Petrie
				D636,570	S	4/2011	Merritt et al.
				7,921,580	B2	4/2011	Russell
				D636,981	S	5/2011	Petrie
				D637,381	S	5/2011	Zappiello
				7,941,938	B2	5/2011	Yu et al.
				D640,047	S	6/2011	Claassen

(56)

References Cited

U.S. PATENT DOCUMENTS

7,962,986 B2 6/2011 Dananberg
 D642,363 S 8/2011 Rajmohan et al.
 D643,197 S 8/2011 Teteriatnikov
 D643,602 S 8/2011 Teteriatnikov
 D643,607 S 8/2011 Teteriatnikov
 D644,007 S 8/2011 Akhidime
 D644,008 S 8/2011 Teteriatnikov
 D644,009 S 8/2011 Akhidime
 D646,049 S 10/2011 Dowling
 D646,470 S 10/2011 Jacobs
 D648,517 S 11/2011 Vestuti et al.
 D653,023 S 1/2012 McCiaskie
 D655,489 S 3/2012 Mahoney
 D655,897 S 3/2012 Mahoney
 8,156,663 B2 4/2012 Shelton et al.
 D659,363 S 5/2012 Leary et al.
 D659,961 S 5/2012 Vestuti et al.
 D663,511 S 7/2012 Martinez et al.
 D664,753 S 8/2012 Santos
 8,256,146 B2 9/2012 Loverin
 D668,854 S 10/2012 Dean et al.
 D671,304 S 11/2012 Lacorazza et al.
 8,307,569 B2* 11/2012 McInnis et al. 36/28
 D671,724 S 12/2012 Avar et al.
 8,333,024 B2 12/2012 Fallow et al.
 D677,040 S 3/2013 Vestuti et al.
 D677,866 S 3/2013 Vestuti et al.
 D679,489 S 4/2013 van Haasteren
 8,424,221 B2 4/2013 Litchfield et al.
 D682,518 S 5/2013 Vestuti et al.
 D682,519 S* 5/2013 Litchfield et al. D2/955
 D682,520 S 5/2013 Litchfield et al.
 D683,940 S* 6/2013 Del Biondi D2/953
 D689,677 S* 9/2013 Bathum et al. D2/955
 D697,293 S 1/2014 Vestuti et al.
 D697,704 S 1/2014 Vestuti et al.
 D703,928 S* 5/2014 Avar et al. D2/953
 D704,423 S* 5/2014 Williams, Jr. D2/953
 D707,931 S* 7/2014 VanHook D2/955
 D710,581 S* 8/2014 Williams, Jr. D2/955
 D711,082 S* 8/2014 Williams, Jr. D2/955
 D713,627 S* 9/2014 Williams, Jr. D2/955
 D719,331 S* 12/2014 Christensen et al. D2/955
 9,003,677 B2* 4/2015 Goodsmith et al. 36/25 R
 2003/0069807 A1 4/2003 Lyden
 2004/0003513 A1 1/2004 Crane et al.
 2004/0033864 A1 2/2004 Elbaz et al.
 2004/0033874 A1 2/2004 Elbaz et al.
 2005/0044745 A1 3/2005 Pfander
 2005/0268490 A1 12/2005 Foxen
 2005/0283999 A1 12/2005 Whatley
 2006/0026868 A1 2/2006 Grisoni et al.
 2006/0048412 A1 3/2006 Kerrigan
 2007/0028485 A1 2/2007 Crane et al.
 2007/0033832 A1 2/2007 Marvin et al.
 2007/0043630 A1 2/2007 Lyden
 2008/0242518 A1 10/2008 Elbaz et al.
 2009/0094855 A1 4/2009 Finkelstein
 2009/0119948 A1 5/2009 Ortleby et al.
 2009/0241379 A1 10/2009 Krikorian
 2009/0293309 A1 12/2009 Keating et al.
 2010/0107448 A1 5/2010 Fallow et al.
 2010/0139119 A1 6/2010 Sokolowski

2010/0139127 A1 6/2010 Huang
 2010/0146818 A1 6/2010 Sokolowski
 2010/0251565 A1 10/2010 Litchfield et al.
 2010/0251567 A1 10/2010 McInnis et al.
 2010/0293815 A1 11/2010 Ferrigan et al.
 2011/0016749 A1 1/2011 Callahan et al.
 2011/0023215 A1 2/2011 Obradovic
 2011/0072684 A1 3/2011 Stubblefield
 2011/0113646 A1 5/2011 Merritt et al.
 2011/0113649 A1 5/2011 Merritt et al.
 2011/0126422 A1 6/2011 Vattes et al.
 2011/0154688 A1 6/2011 Yu et al.
 2011/0185593 A1 8/2011 Ramos
 2011/0219643 A1 9/2011 Tal
 2011/0277351 A1 11/2011 Scoledes
 2012/0005921 A1 1/2012 Diepenbrock
 2012/0047770 A1 3/2012 Dean et al.
 2012/0066938 A1 3/2012 French et al.
 2012/0096744 A1 4/2012 Goodsmith et al.
 2012/0174433 A1* 7/2012 Mahoney 36/28
 2013/0031804 A1 2/2013 Abshire
 2013/0118038 A1 5/2013 Fallow et al.
 2013/0167401 A1* 7/2013 Christensen et al. 36/29
 2013/0167402 A1* 7/2013 Christensen et al. 36/29
 2013/0199054 A1* 8/2013 Litchfield et al. 36/28
 2013/0212909 A1* 8/2013 Bates et al. 36/102
 2014/0059884 A1* 3/2014 Diepenbrock 36/28
 2014/0144045 A1* 5/2014 Padilla 36/28

FOREIGN PATENT DOCUMENTS

WO WO 2004/016321 A2 2/2004
 WO WO 2004/016321 A3 2/2004

OTHER PUBLICATIONS

Reebok First Quarter 2007 Footwear Catalog, pp. 16 and 53, showing the Voyage Mid III and Voyage Low III shoes.
 Reebok Spring 2005 Footwear Catalog, p. 30, showing the Sportcentric DMX Max shoe, p. 31, showing the Destination DMX shoe, and pp. 32 and 52, showing the Trail DMX Max and Sporterra DMX Walk shoes.
 Reebok Third Quarter 2003 Footwear Catalog, p. 17, showing the Stimulus DMX shoe, and pp. 16 and 41, showing the Court Macabee II DMX shoe.
 Reebok Third Quarter 2005 Footwear Catalog, p. 50, showing the Sportcentric DMX Max shoe.
 Extended European Search Report for Application No. EP 09179450. 3, Applicant: Reebok International Ltd., mailed Aug. 2, 2010, 6 pages.
 Crompton, "Wobble back to good health," The Times, Body + Soul pp. 7-8, Sep. 26, 2009, 2 pages.
 Apos, Less Pain, More Function article, 12 pages, copyright 2008.
 Draft Swiss patent application entitled "Shoe Sole" Flexyboots GmbH, dated Aug. 20, 2008, www.flexyboots.ch.patent.pdf, with English translation, 42 pages.
 "Flexyboots" www.flexyboots.com (visited Oct. 9, 2009) with English translation, 3 pages.
 Tanel 360 Store—Victory Performance Low Cut Molded Cleat—Mens, http://shop.tanel360.com/victory-performance-low-cut-molded-cleat---mens-p21.aspx (printed on Nov. 16, 2010), 3 pages.
 U.S. Appl. No. 29/470,407, Vestuti et al., "Shoe", filed Oct. 21, 2013.

* cited by examiner

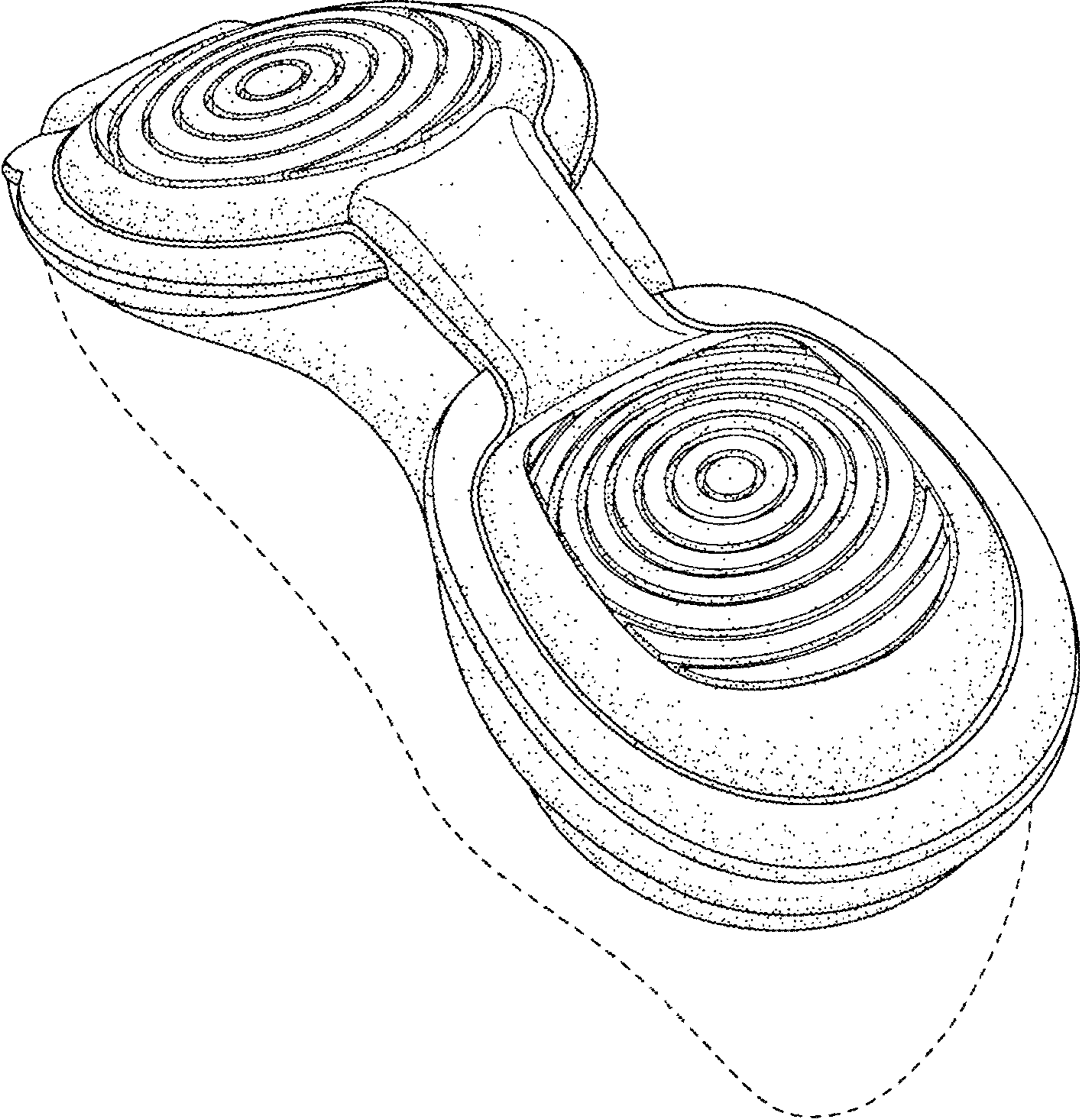


FIG. 1

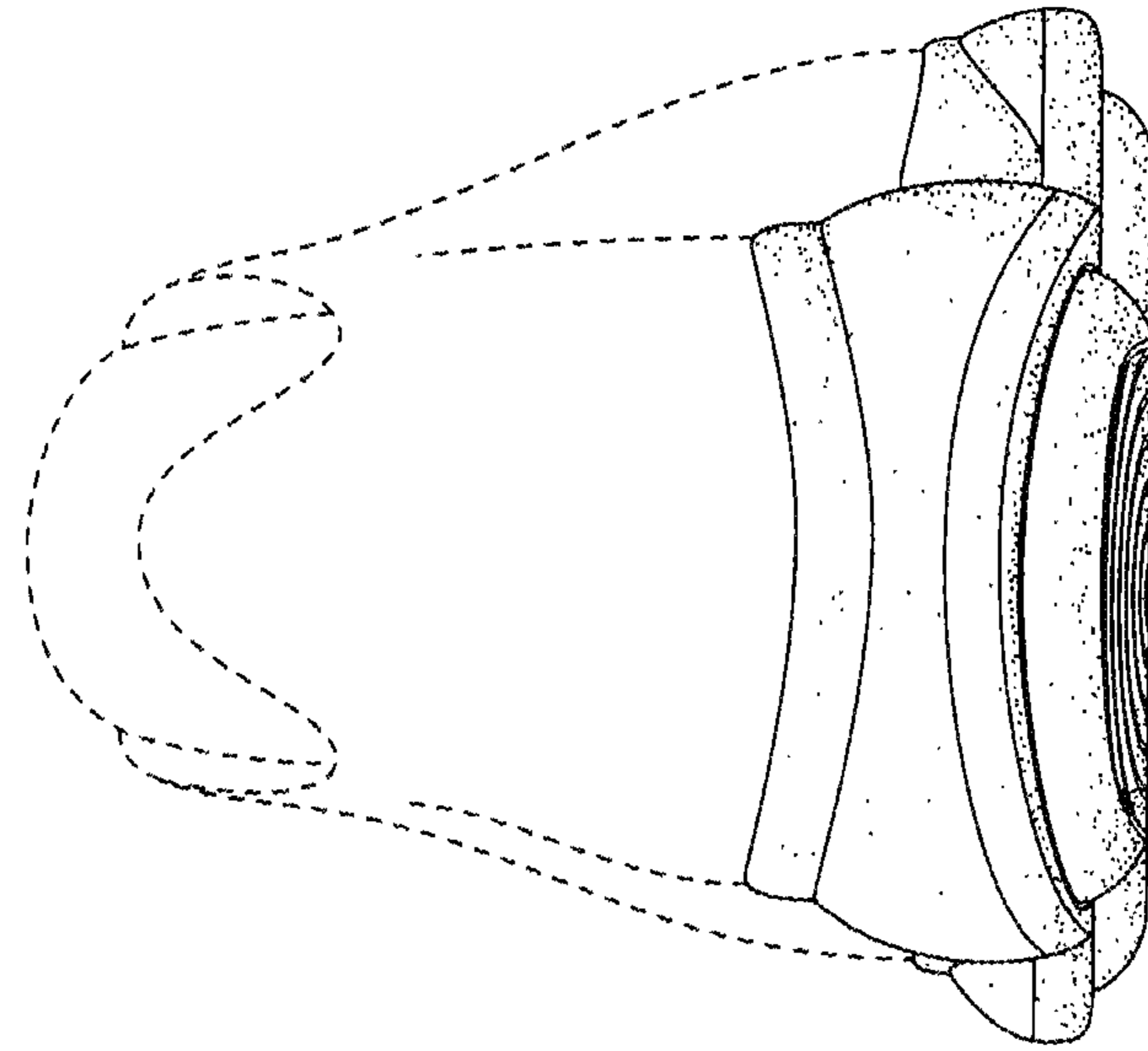


FIG. 3

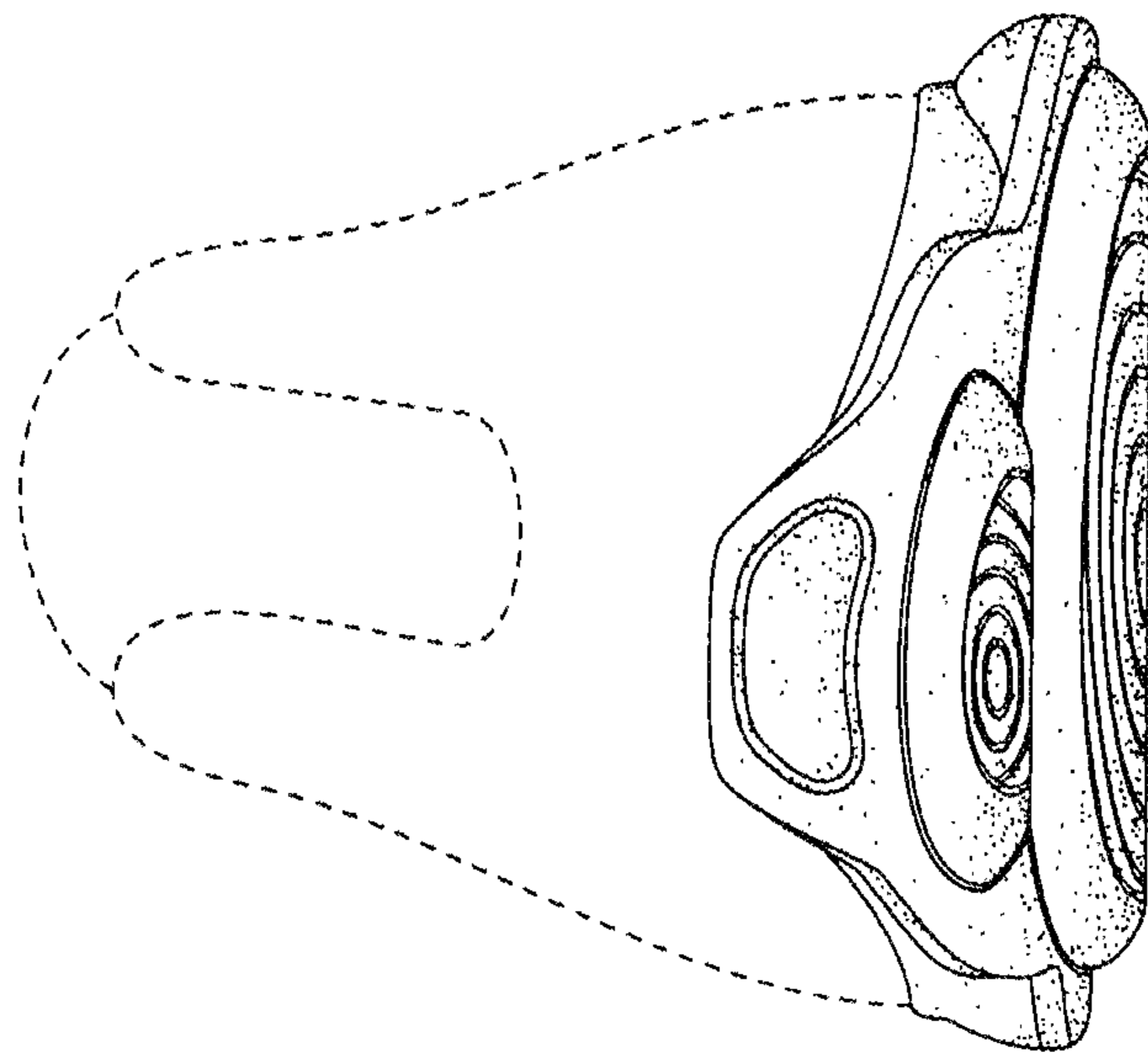


FIG. 2

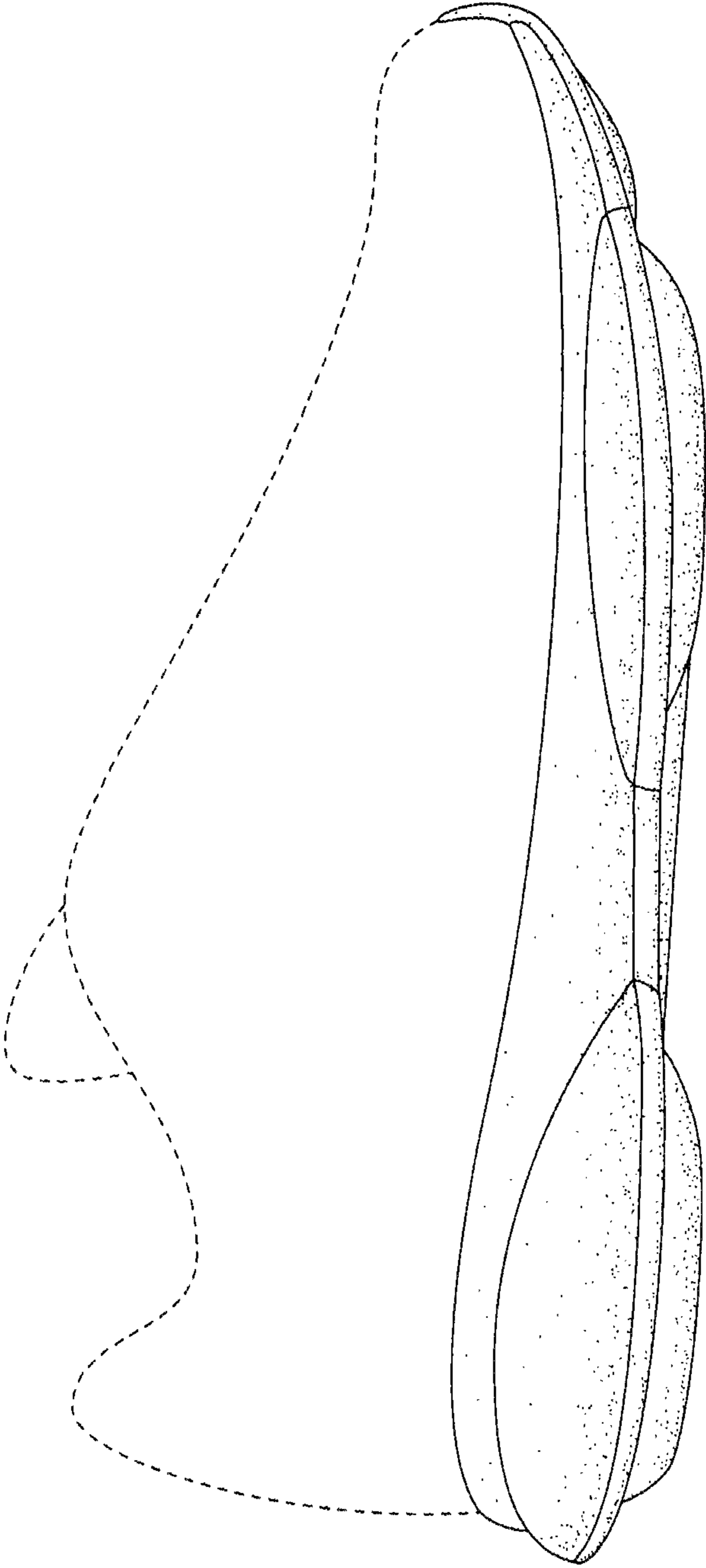


FIG. 4

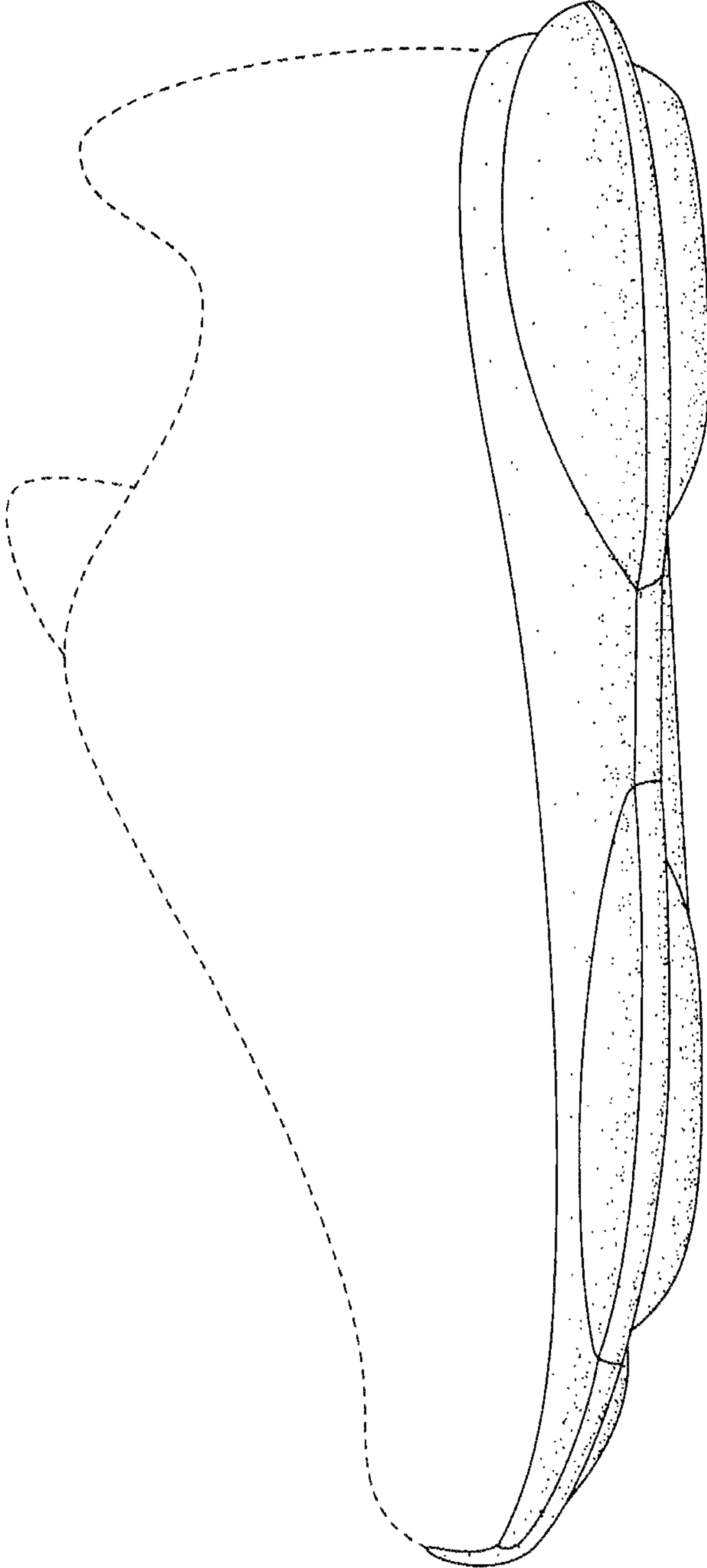


FIG. 5

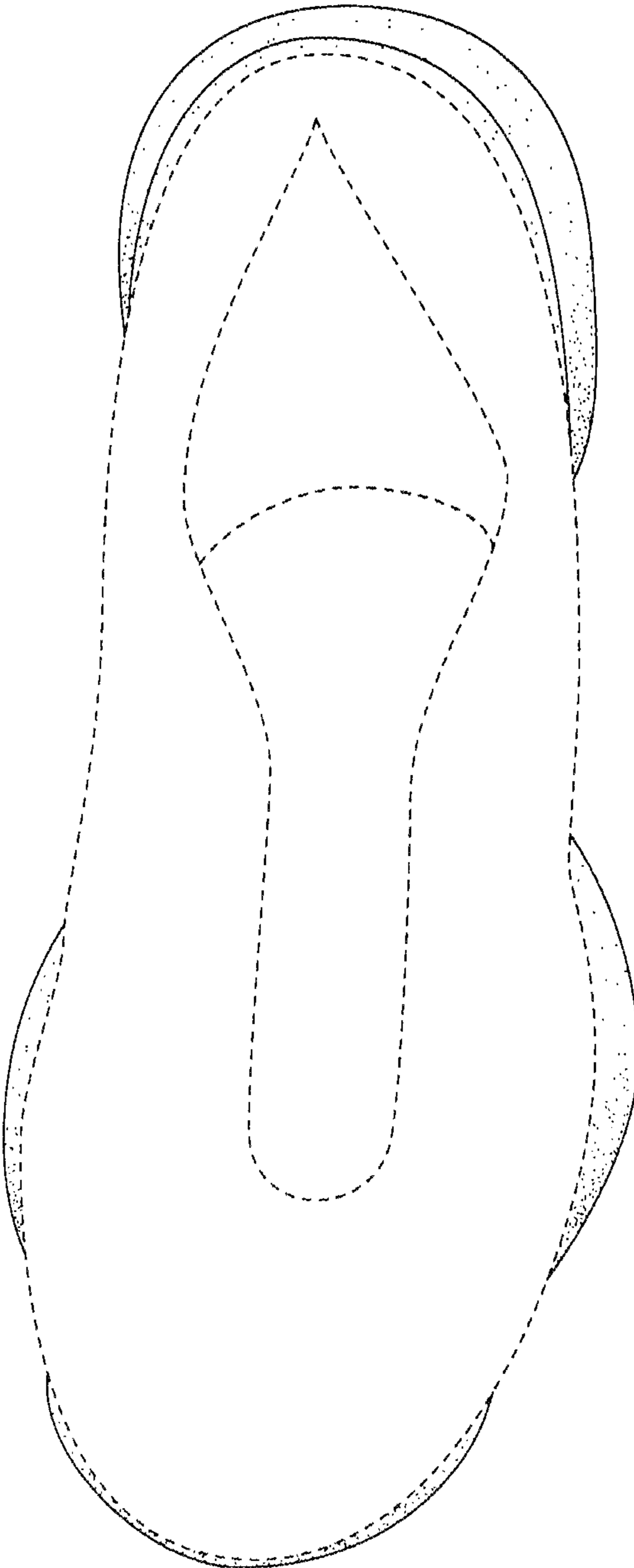


FIG. 6

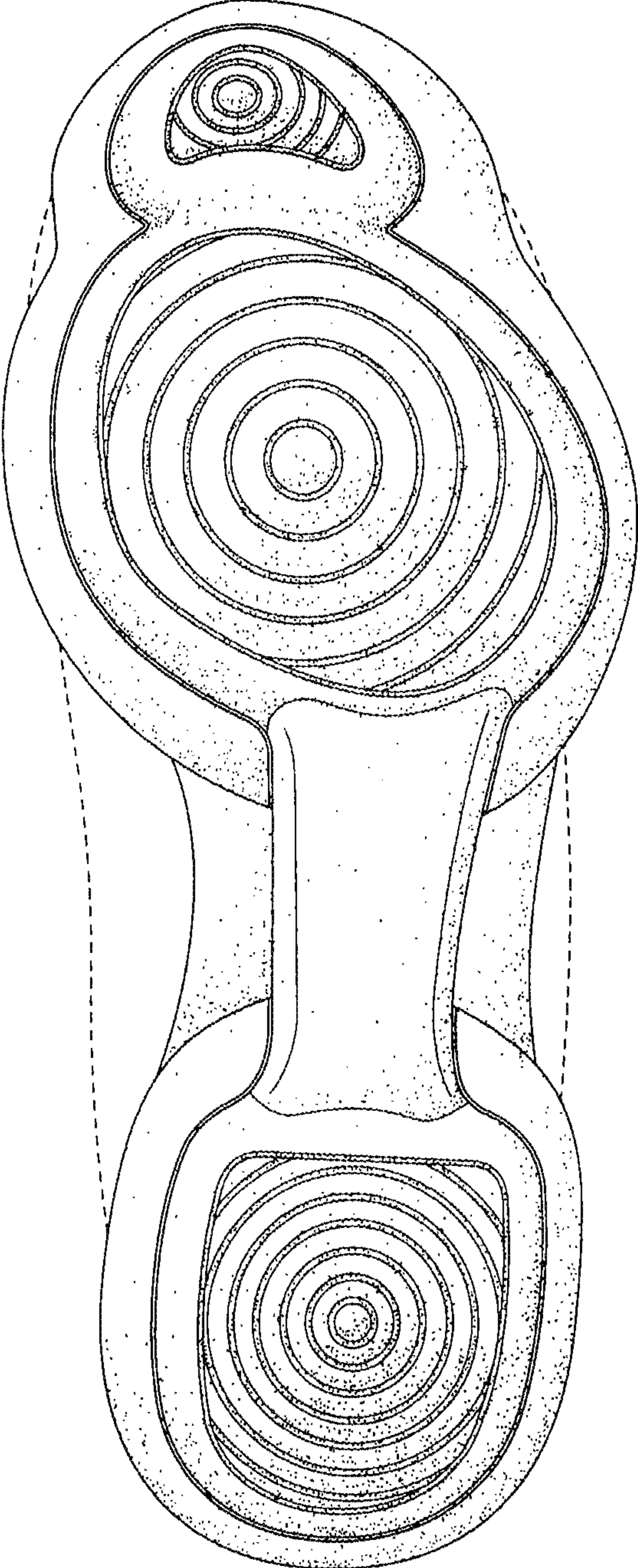


FIG. 7