



US00D747591S

(12) **United States Design Patent**
Holloway et al.

(10) **Patent No.:** **US D747,591 S**
(45) **Date of Patent:** **** Jan. 19, 2016**

(54) **BELT**

(75) Inventors: **Simon Holloway**, London (GB); **Nicolas Baurain**, London (GB)

(73) Assignee: **J. Choo Limited**, London (GB)

(**) Term: **14 Years**

(21) Appl. No.: **29/395,393**

(22) Filed: **Jan. 11, 2012**

(30) **Foreign Application Priority Data**

Jul. 15, 2011 (EM) 001892159-0031

(51) **LOC (10) Cl.** **02-07**

(52) **U.S. Cl.**
USPC **D2/627**

(58) **Field of Classification Search**
USPC 482/11; D2/624, 625, 627, 629, 631,
D2/635, 637, 638; D11/126, 627, 683;
D21/662, 683; D30/152
CPC A01K 97/06; A41F 9/00; A41F 9/002;
A41F 9/02; A41F 9/025; A41F 11/16; A45C
3/06; A45C 9/00; A45C 13/08; A45F 5/00;
A47L 3/00; A47L 3/04; A61F 13/00; A61F
13/14; A61F 13/143; A62B 35/0031; D04D
5/00

See application file for complete search history.

(56) **References Cited**

U.S. PATENT DOCUMENTS

D37,776 S * 1/1906 Hirschberg D2/635
D138,617 S * 8/1944 Lichtenstein D2/635
2,378,755 A * 6/1945 Dowling A44C 5/00
29/433
2,449,425 A * 9/1948 Stieger A41F 11/16
2/314
D218,621 S * 9/1970 Scott D21/683
3,908,711 A * 9/1975 Goff et al. 139/419
D242,290 S * 11/1976 Evans D2/627
D361,651 S * 8/1995 Jacob D2/627
D488,912 S * 4/2004 Berger D2/627

OTHER PUBLICATIONS

Belts/ B0330LBR01[online]. Titan Industries, 2014 [retrieved on Mar. 27, 2014]. Retrieved from the Internet: <URL: http://www.fastrack.in/product/b0330lbr01/?filter=yes&location=india&page=3&productfilter=3&_=1334211685912>.*
2 1/4" Wide Double Stitch Sam Brown Belt [DSB] [online]. StallionLeather.com, 2012 [retrieved on Mar. 27, 2014]. Retrieved from the Internet: <URL: http://stallionleather.com/product_info.php?cPath=65_44_22&products_id=31&osCsid=a661719ad9544a1ac81b20236a8e5ef2>.*
Dupont lighter from Tanagra—photograph.
Design U.S. Appl. No. 29/395,160, filed Dec. 7, 2011 first named inventor is Simon Holloway.

* cited by examiner

Primary Examiner — Deanna L Pratt

(74) *Attorney, Agent, or Firm* — Fross Zelnick Lehrman & Zissu, P.C.; Lawrence E. Apolzon, Esq.

(57) **CLAIM**

The ornamental design for a belt, as shown and described.

DESCRIPTION

FIG. 1 is a front perspective view of a belt showing my new design;

FIG. 2 is a front view of the belt shown in FIG. 1;

FIG. 3 is a top view of the belt shown in FIG. 1 (with the bottom view being a mirror image thereof); and,

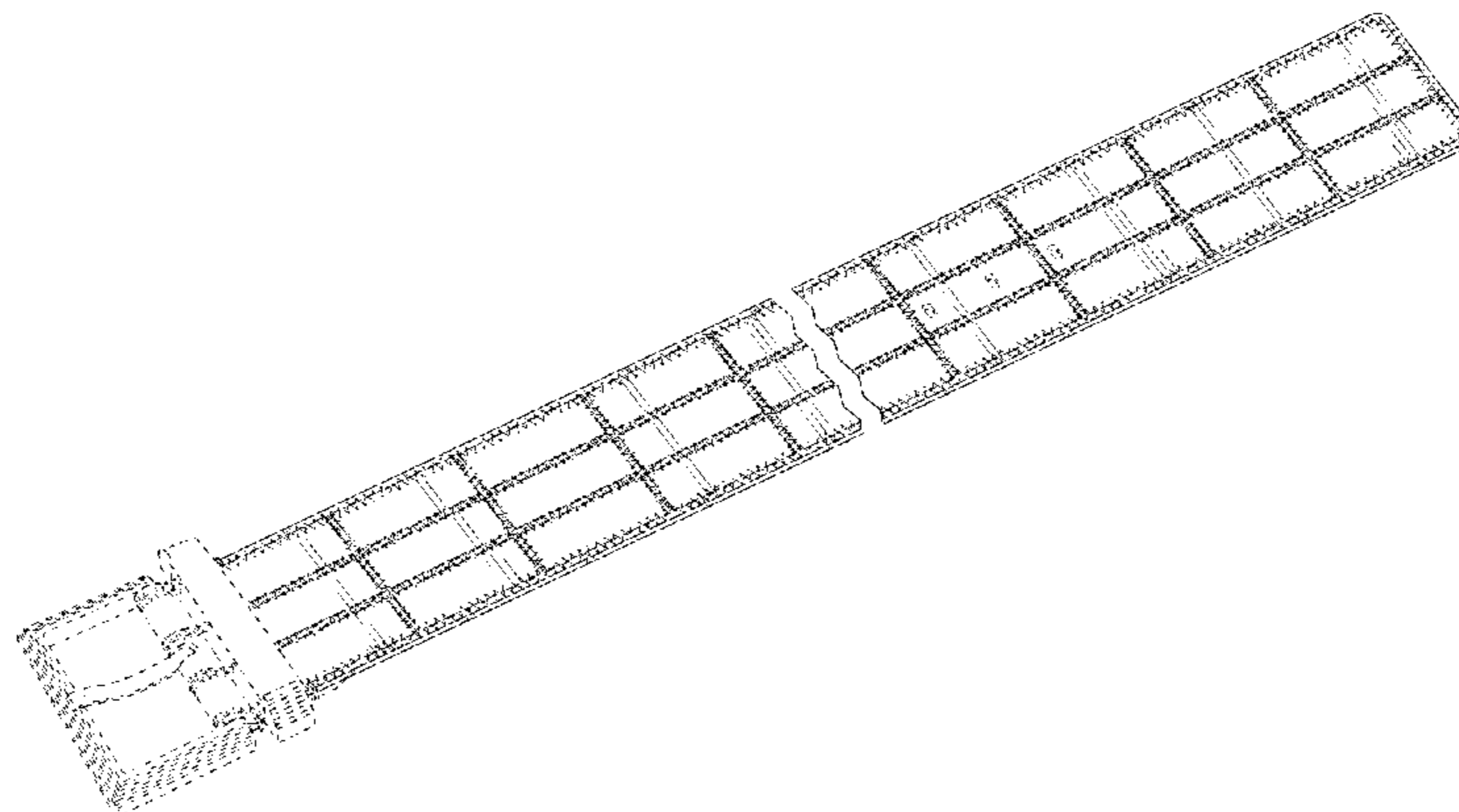
FIG. 4 is a perspective view of the belt shown in FIG. 1, shown in a buckled position.

The rear/back of the belt is understood to be plain and unornamented.

The broken line showing of the buckle, buckle holes, and portions of the belt in relevant drawings shows unclaimed subject matter for the design in those drawings.

The article is shown with a symbolic break in its length. The appearance of any portion of the article between the break lines forms no art of the claimed design.

1 Claim, 3 Drawing Sheets



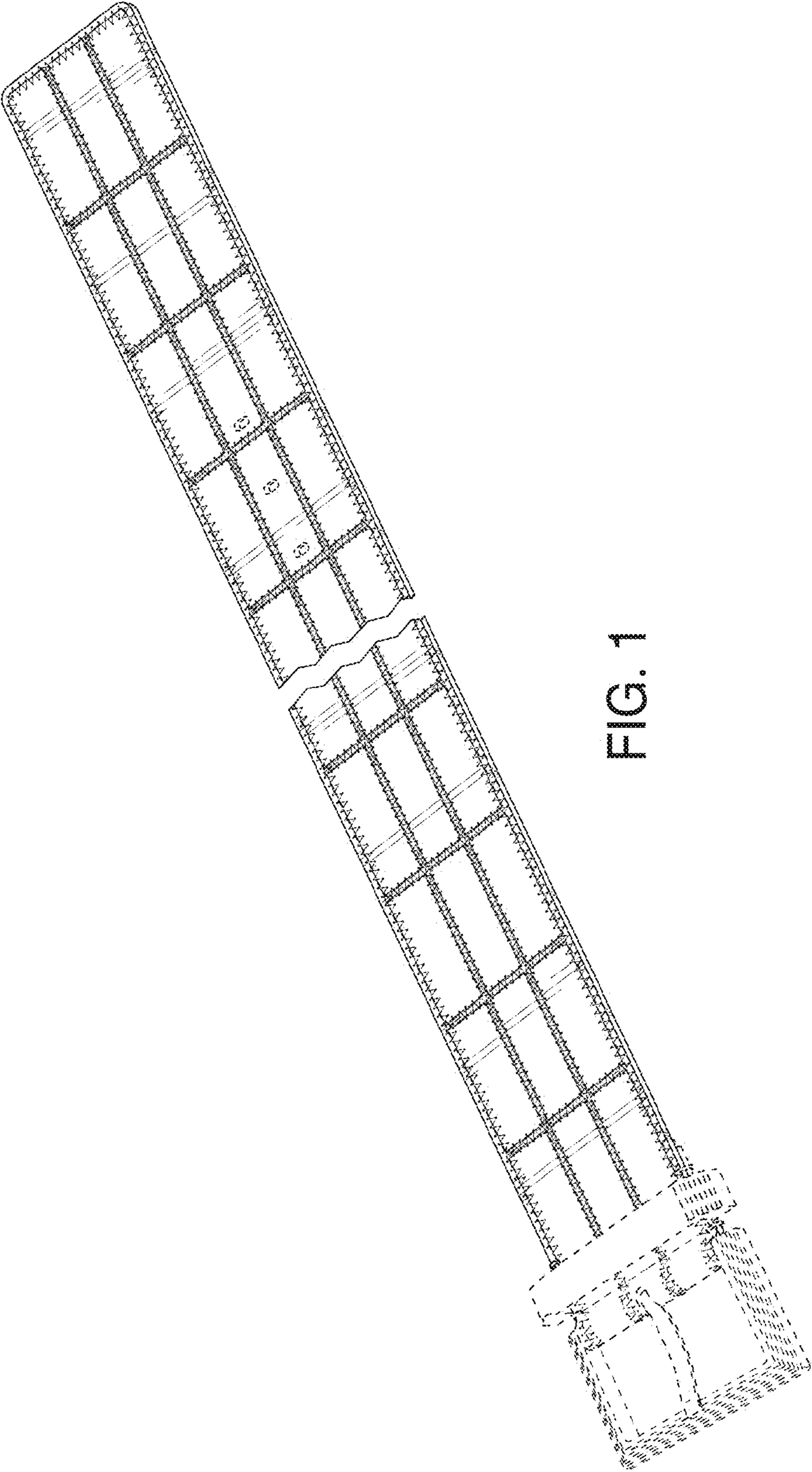


FIG. 1

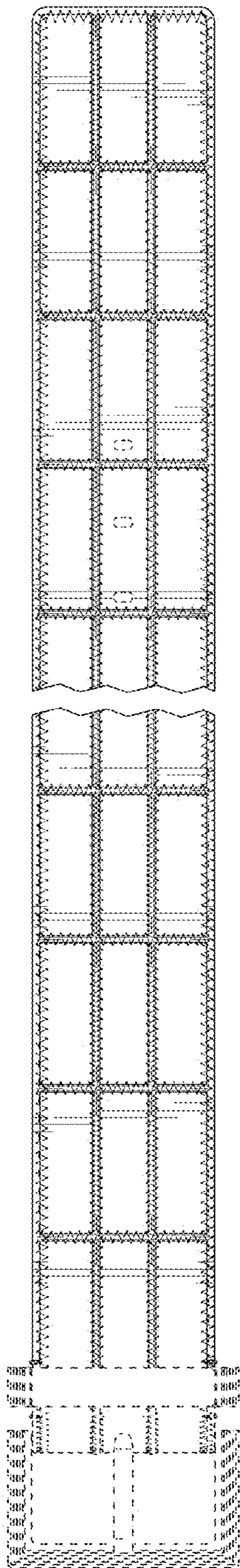


FIG. 2

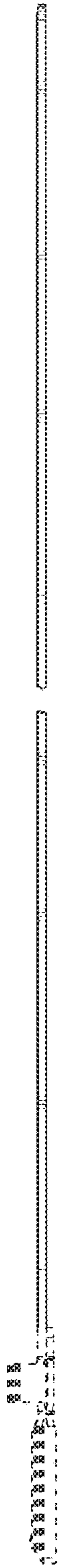


FIG. 3

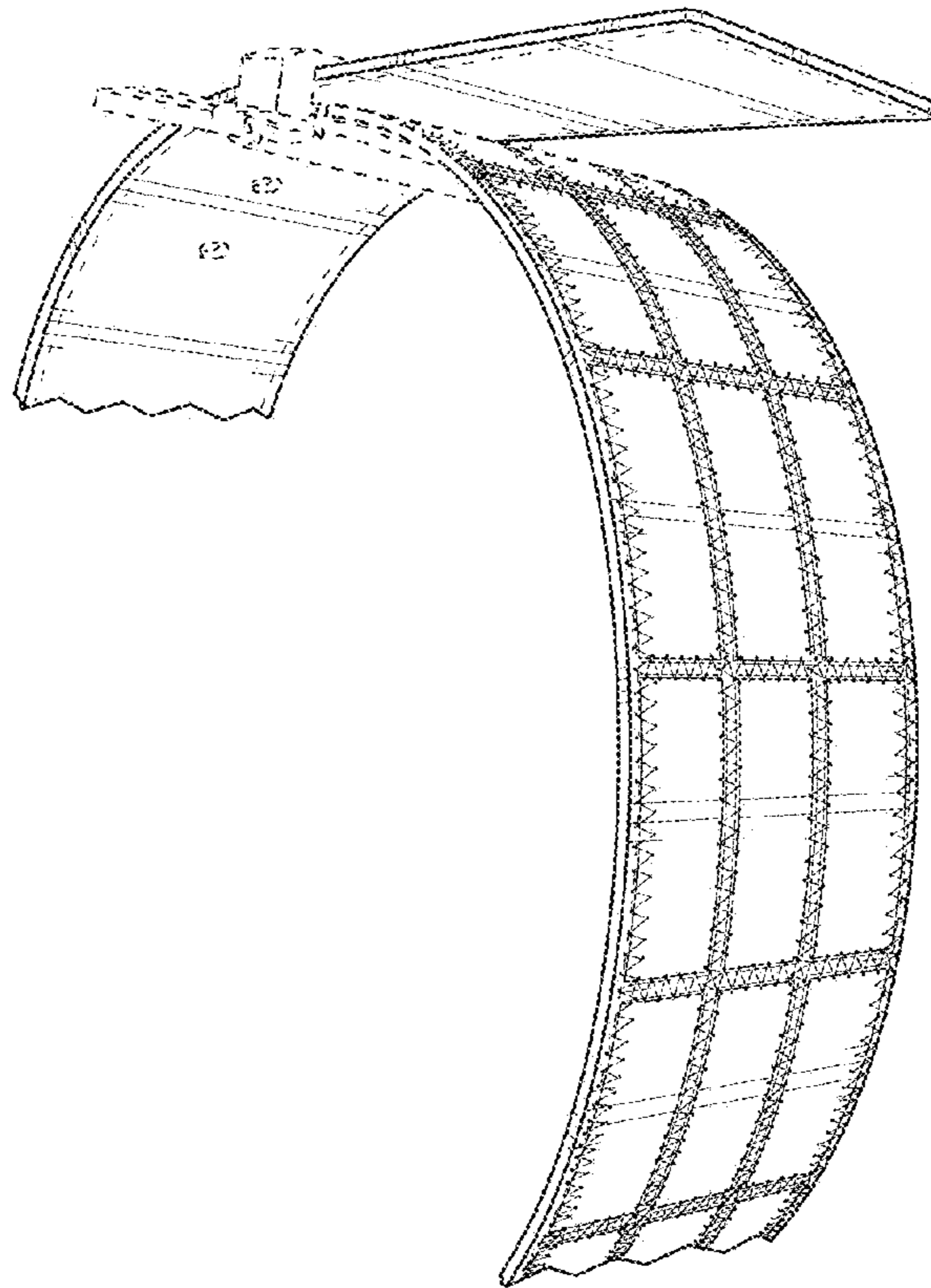


FIG. 4