



US00D747590S

(12) **United States Design Patent**
Zejnnullahu

(10) **Patent No.:** **US D747,590 S**
(45) **Date of Patent:** **** Jan. 12, 2016**

(54) **TRANSPORT RACK FOR SHAFT**
(71) Applicant: **SANDVIK INTELLECTUAL PROPERTY AB**, Sandviken (SE)
(72) Inventor: **Rrezart Zejnnullahu**, Malmö (SE)
(73) Assignee: **SANDVIK INTELLECTUAL PROPERTY AB**, Sandviken (SE)
(**) Term: **14 Years**
(21) Appl. No.: **29/520,371**
(22) Filed: **Mar. 13, 2015**

Related U.S. Application Data

(62) Division of application No. 29/446,920, filed on Feb. 28, 2013, now Pat. No. Des. 731,140.

Foreign Application Priority Data

Aug. 28, 2012 (EM) 001341267-0001
Aug. 28, 2012 (EM) 001341267-0002
Aug. 28, 2012 (EM) 001341267-0003

(51) **LOC (10) Cl.** **12-05**
(52) **U.S. Cl.**
USPC **D34/34**
(58) **Field of Classification Search**
USPC D34/28, 38; 248/346.02, 346.01;
108/55.11, 55.3, 55.5
CPC B65D 2519/00323; B65D 2519/00293;
B65D 2519/00333; B65D 2519/00273; B65D
2519/00572; B65D 19/44
See application file for complete search history.

(56) **References Cited**
U.S. PATENT DOCUMENTS
6,585,224 B1 * 7/2003 Schmidt B63H 23/036
108/55.1
6,585,225 B1 * 7/2003 Lake A47B 47/0075
206/320
8,622,226 B2 * 1/2014 Colwell A47B 81/00
211/85.6
D731,140 S * 6/2015 Zejnnullahu D34/28
2011/0132239 A1 * 6/2011 Poulsen B65D 19/0095
108/55.1
2014/0151521 A1 * 6/2014 Marrow B65D 19/0002
248/346.03

* cited by examiner

Primary Examiner — Cynthia Ramirez

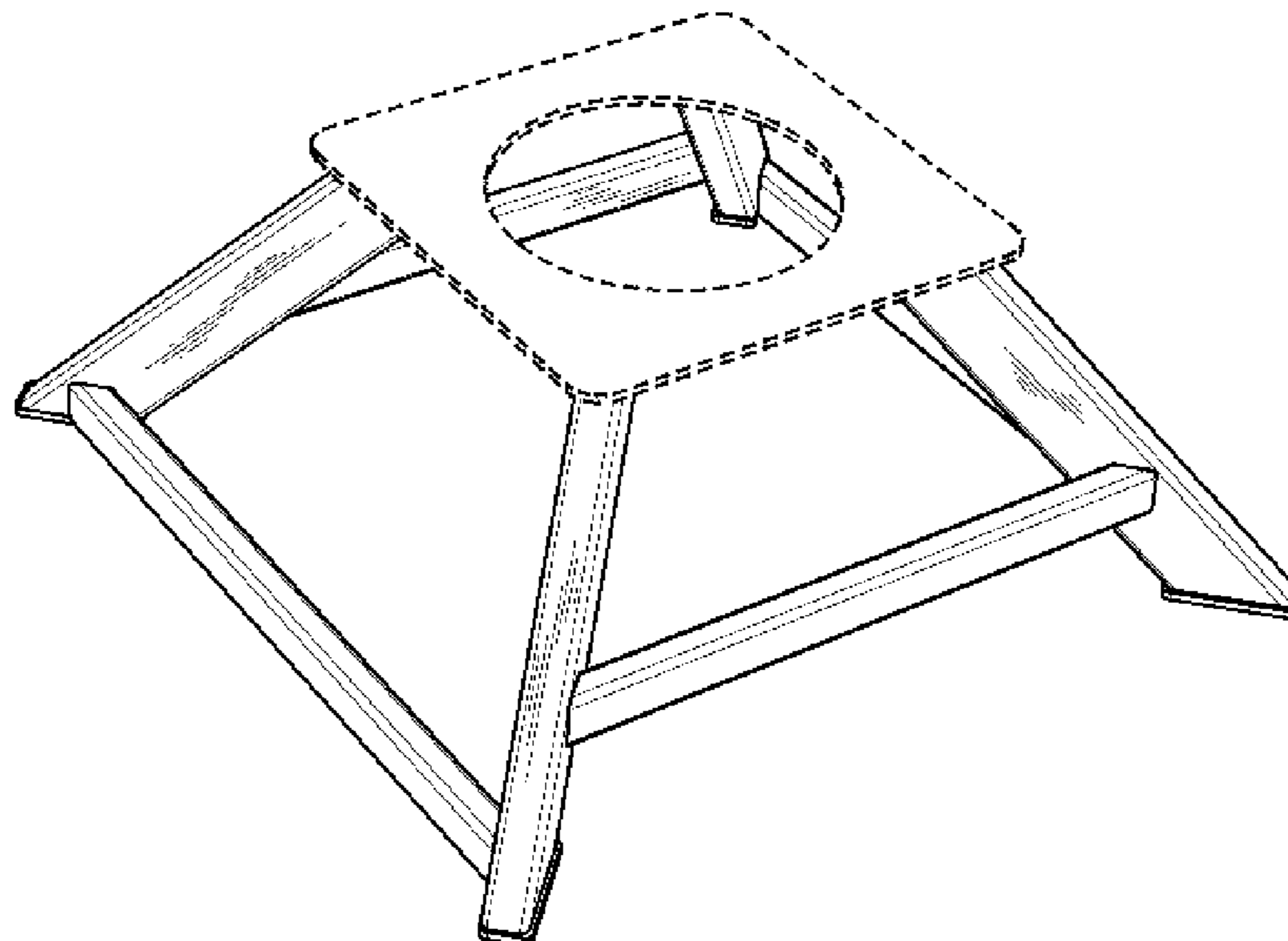
(74) *Attorney, Agent, or Firm* — Corinne R. Gorski

(57) **CLAIM**
The ornamental design for a transport rack for a shaft, as shown and described.

DESCRIPTION

FIG. 1 is a perspective view of a transport rack for a shaft;
FIG. 2 is one side view thereof;
FIG. 3 is a bottom view thereof;
FIG. 4 is the opposite side view thereof;
FIG. 5 is a top view thereof;
FIG. 6 is another side view thereof; and,
FIG. 7 is the opposite view of the other side.

1 Claim, 4 Drawing Sheets



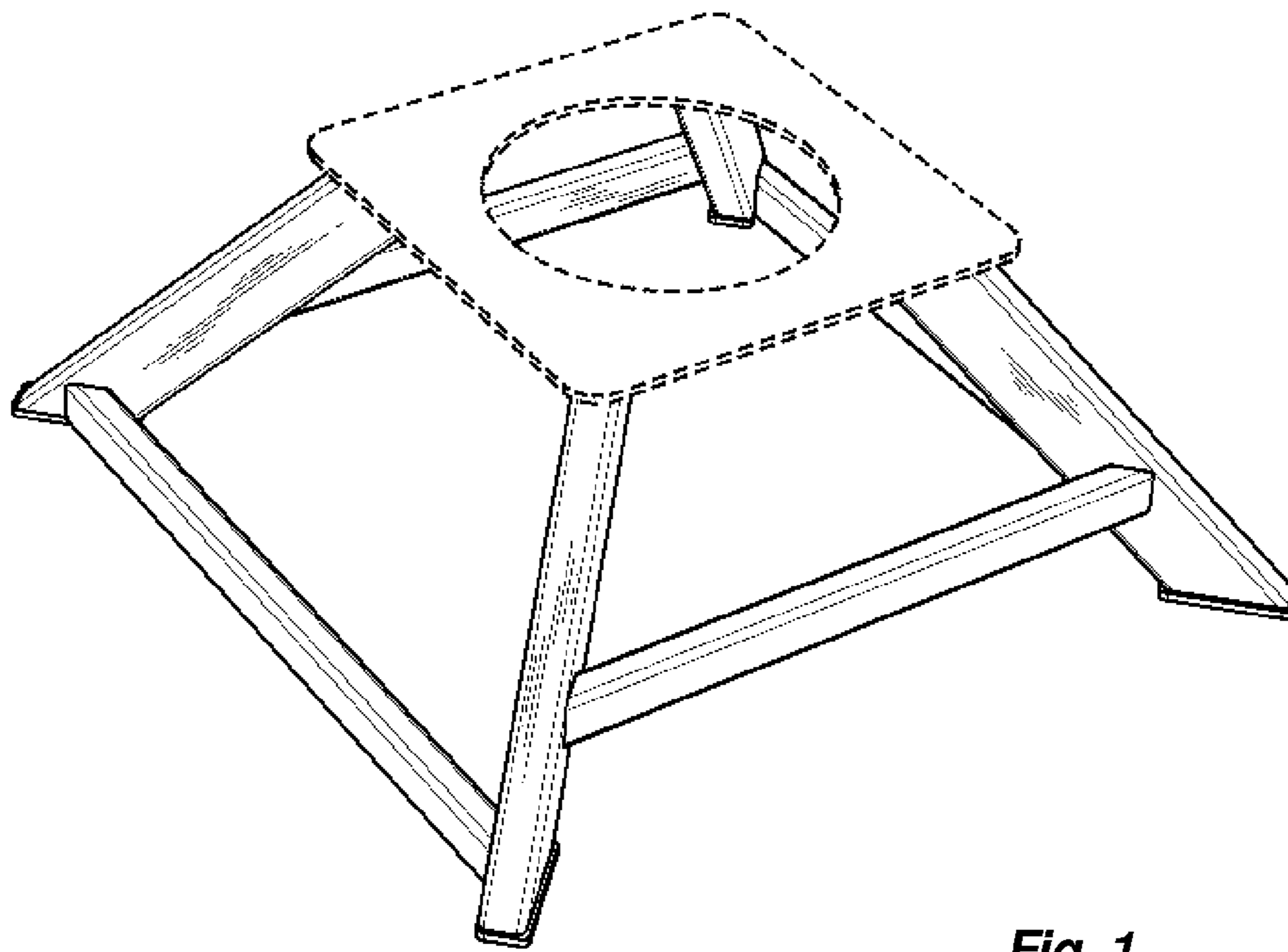


Fig. 1

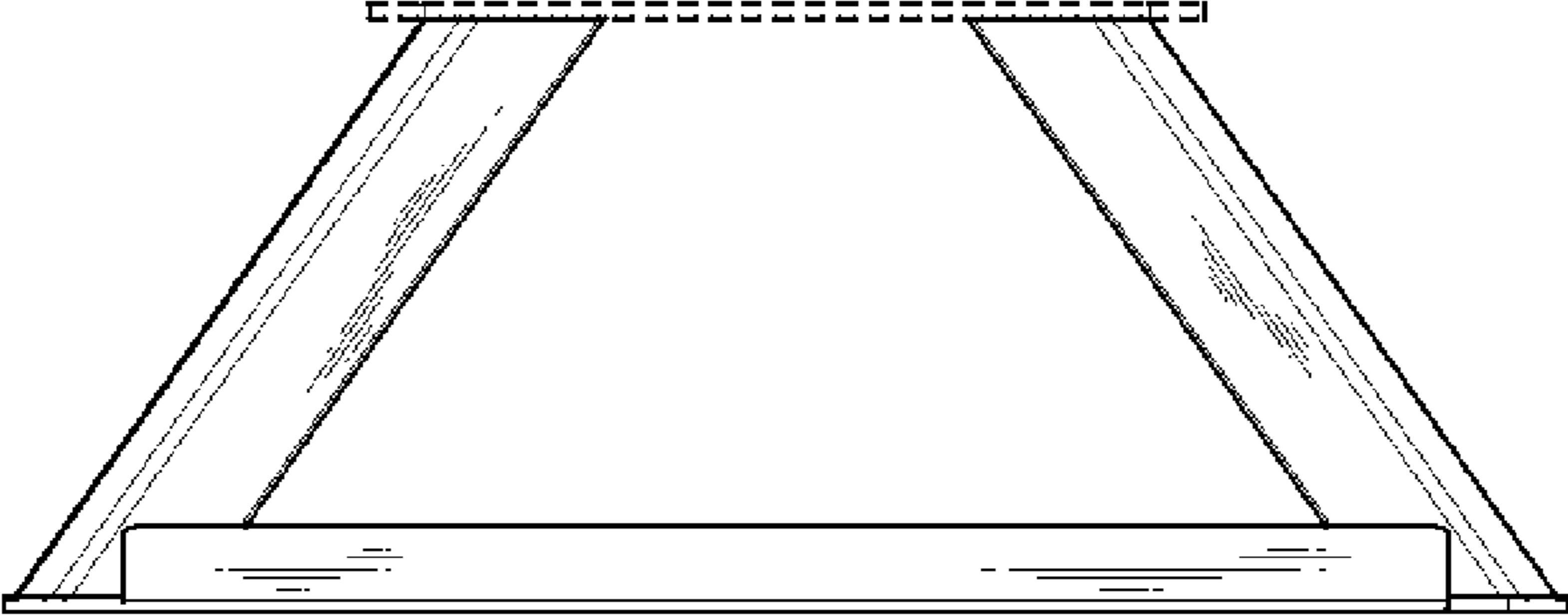


Fig. 2

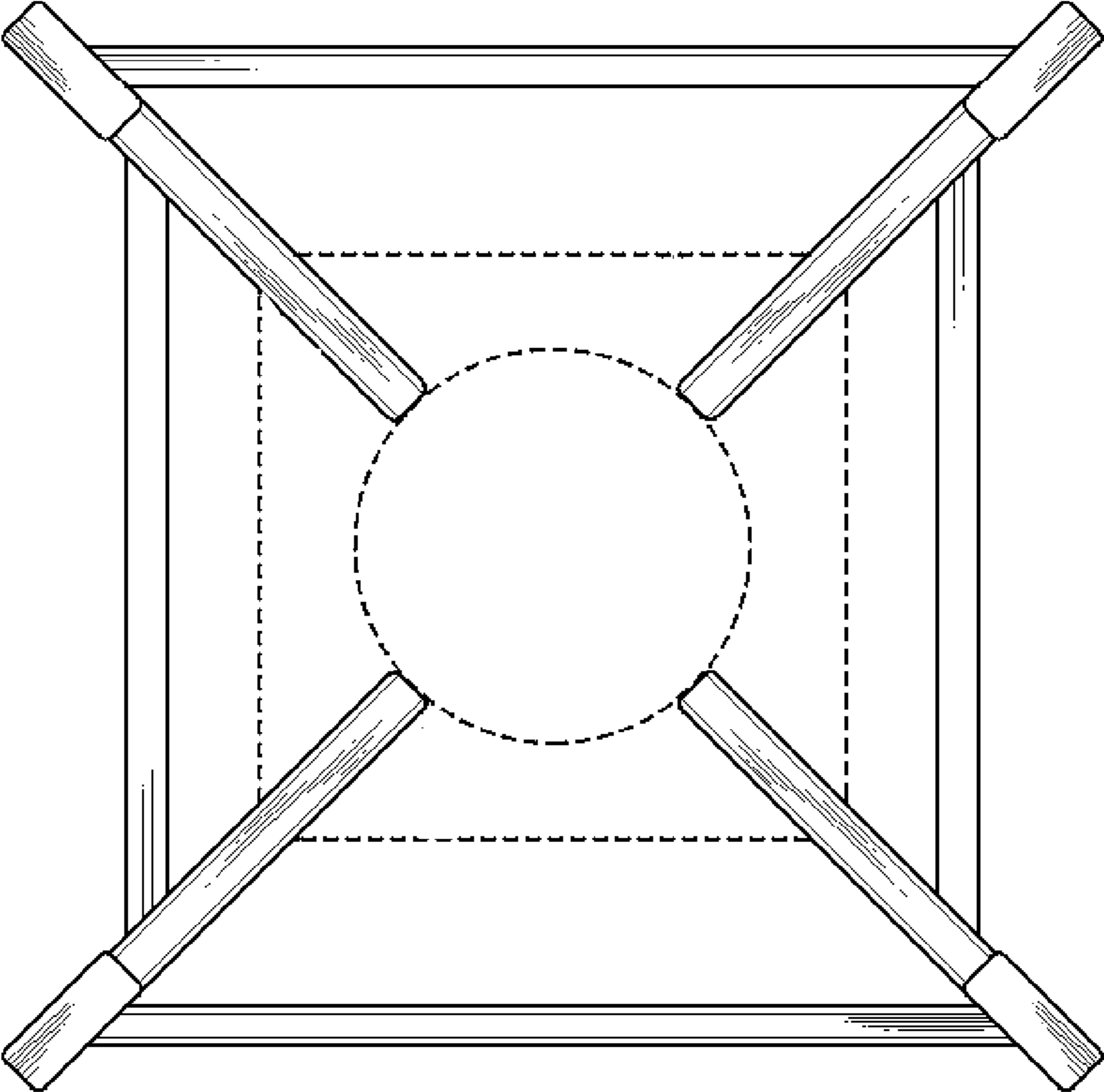


Fig. 3

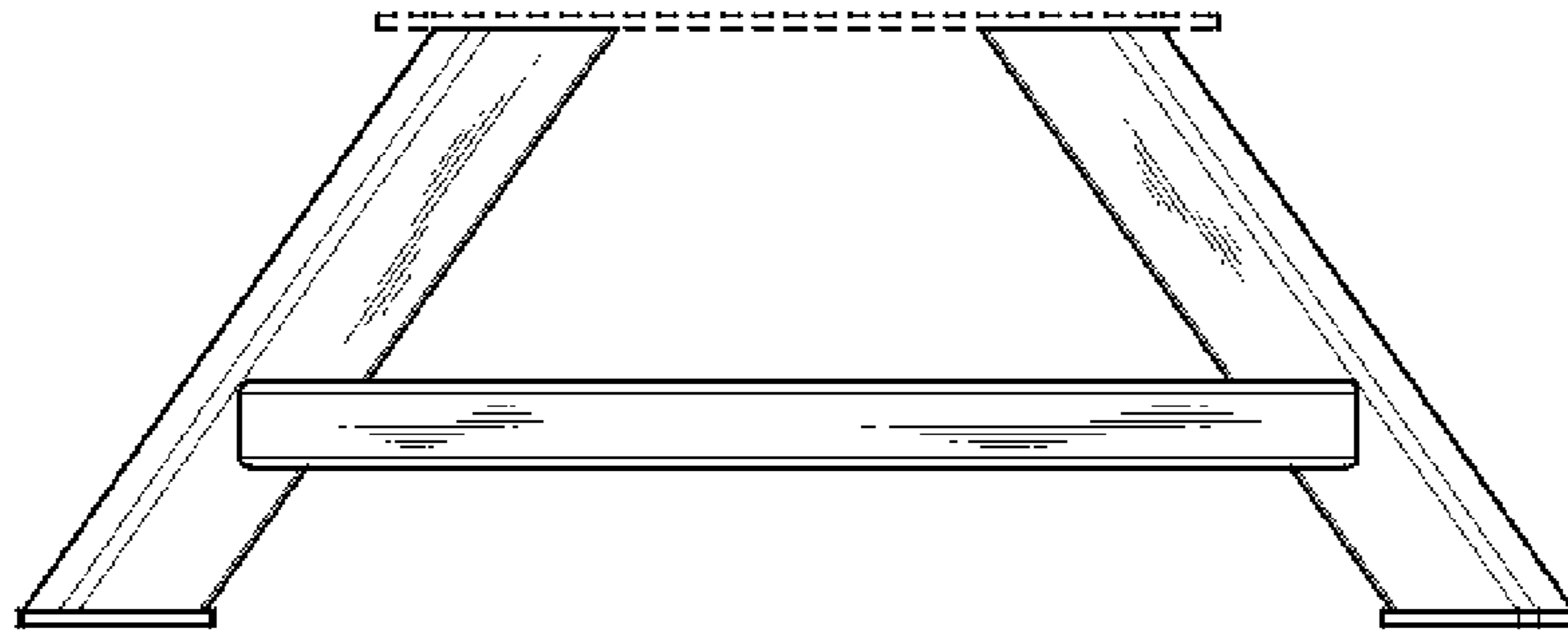


Fig. 4

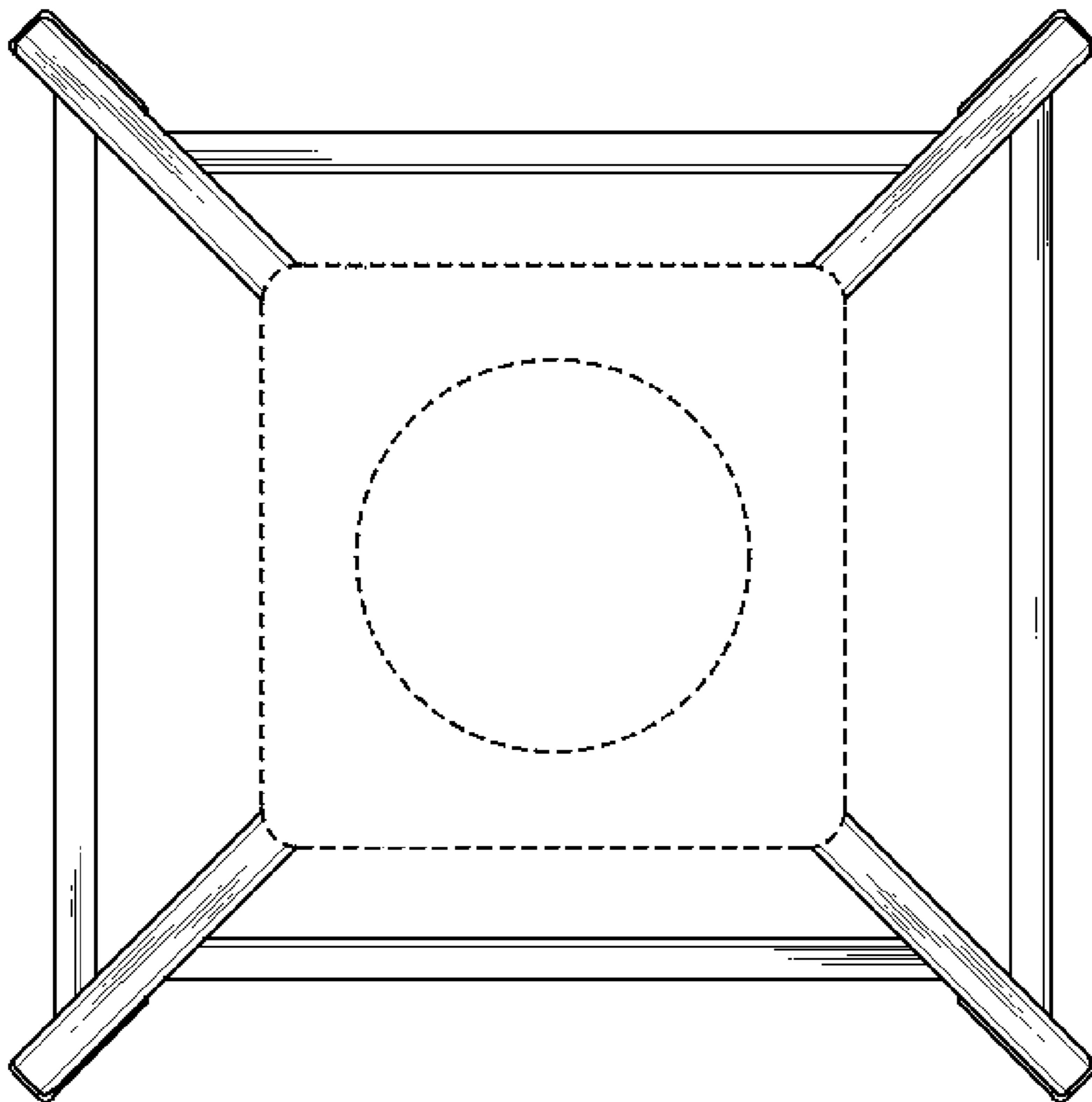


Fig. 5

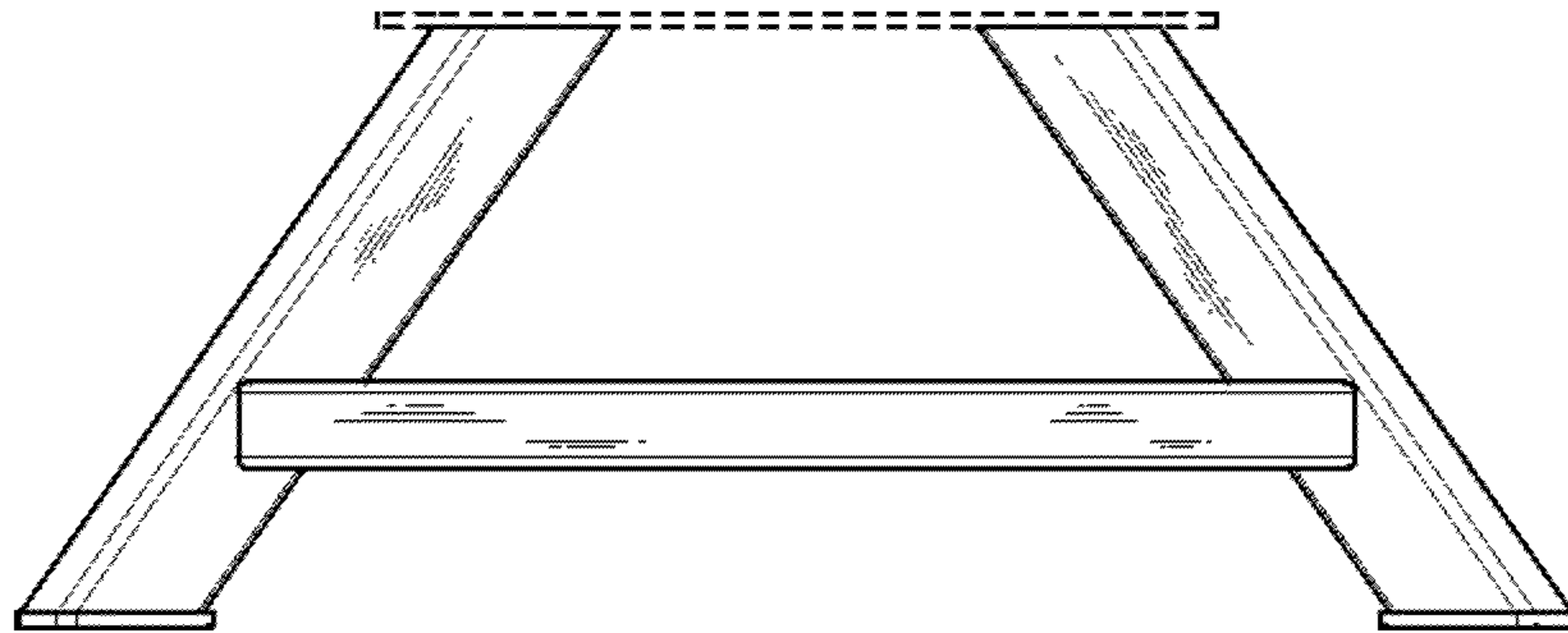


Fig. 6

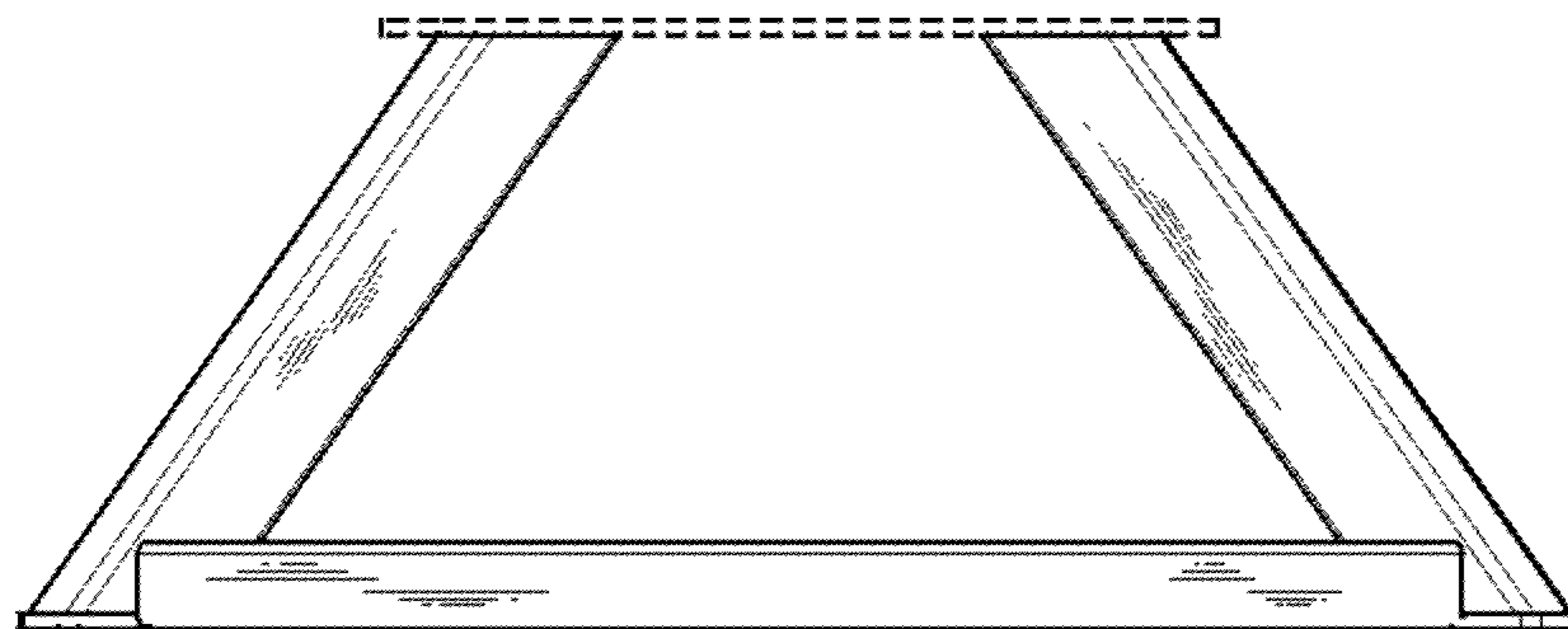


Fig. 7