



US00D747587S

(12) **United States Design Patent**
Stauff et al.

(10) **Patent No.:** **US D747,587 S**
(45) **Date of Patent:** **** *Jan. 12, 2016**

(54) **SHOPPING CART**

2,556,532 A 6/1951 Goldman
3,019,953 A 2/1962 Martin
3,026,122 A 3/1962 Young
3,909,034 A 9/1975 Trubiano

(71) Applicant: **Bemis Manufacturing Company**,
Sheboygan Falls, WI (US)

(Continued)

(72) Inventors: **Richard Stauff**, Plymouth, WI (US);
Gary Vande Berg, Fox Lake, WI (US);
Roy Watson, Lisbon, OH (US)

FOREIGN PATENT DOCUMENTS

(73) Assignee: **Bemis Manufacturing Company**,
Sheboygan Falls, WI (US)

AU 4797885 4/1986
AU 581928 3/1989

(Continued)

(*) Notice: This patent is subject to a terminal disclaimer.

OTHER PUBLICATIONS

(**) Term: **14 Years**

International Search Report and Written Opinion for Application No. PCT/US2012/054514 dated Feb. 7, 2013 (25 pages).

(Continued)

(21) Appl. No.: **29/469,618**

Primary Examiner — Cynthia Ramirez

(22) Filed: **Oct. 11, 2013**

(74) *Attorney, Agent, or Firm* — Michael Best & Friedrich LLP

Related U.S. Application Data

(63) Continuation-in-part of application No. 29/452,211, filed on Apr. 12, 2013, now Pat. No. Des. 733,388, which is a continuation-in-part of application No. 13/609,070, filed on Sep. 10, 2012.

(57) **CLAIM**

We claim the ornamental design for a shopping cart, as shown and described.

(51) **LOC (10) Cl.** **12-02**

(52) **U.S. Cl.**

USPC **D34/27**

(58) **Field of Classification Search**

USPC D34/12-27; 280/33.992, 33.991,
280/33.993, 47.34, 79.11, 47.26, 47.17,
280/651, 79.2

CPC B62B 3/14; B62B 3/144; B62B 3/1452;
B62B 5/06; B62B 5/04; B62B 5/0423; B62B
5/069

See application file for complete search history.

DESCRIPTION

FIG. 1 is a perspective view of a shopping cart showing our new design.

FIG. 2 is a right side view of the shopping cart shown in FIG. 1.

FIG. 3 is a left side view of the shopping cart shown in FIG. 1.

FIG. 4 is a top view of the shopping cart shown in FIG. 1.

FIG. 5 is a front view of the shopping cart shown in FIG. 1; and,

FIG. 6 is a back view of the shopping cart shown in FIG. 1.

The bottom views are not a part of the claimed design.

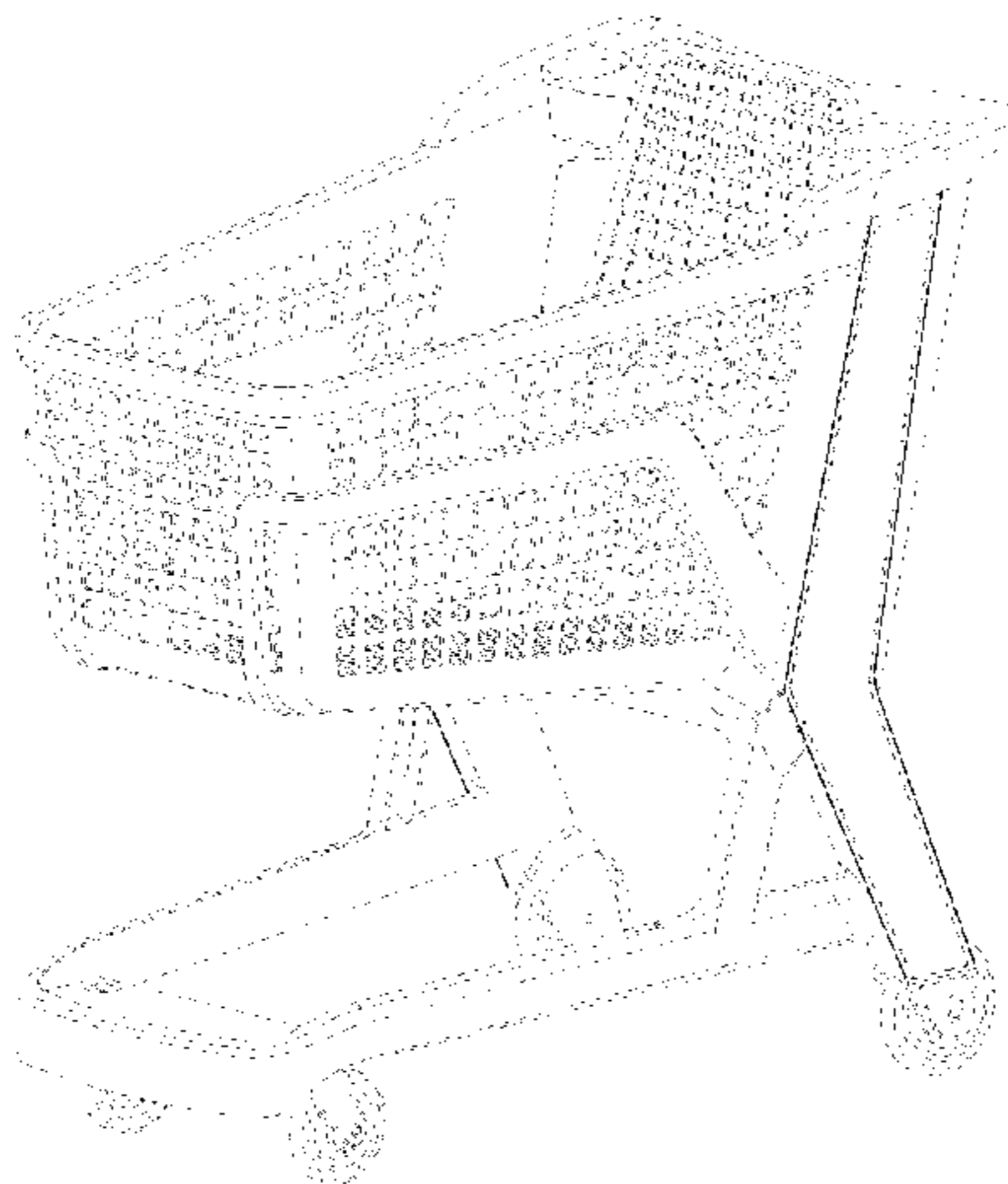
The broken lines shown in the figures are included for the purpose of illustrating environment and forms no part of the claimed design.

(56) **References Cited**

U.S. PATENT DOCUMENTS

2,479,530 A 8/1949 Watson

1 Claim, 5 Drawing Sheets



(56)

References Cited

U.S. PATENT DOCUMENTS

4,097,056 A 6/1978 Castellano
 4,616,839 A 10/1986 Trubiano
 4,647,055 A 3/1987 Weill
 4,733,877 A 3/1988 Pastien
 4,746,134 A 5/1988 Rehrig
 4,922,639 A 5/1990 Rehrig
 5,199,728 A 4/1993 Hutchison
 5,331,756 A 7/1994 Rehrig
 5,435,582 A 7/1995 Davidson
 5,608,978 A 3/1997 Sawyer
 5,791,666 A 8/1998 Mainard
 5,947,313 A 9/1999 Kern et al.
 D435,196 S 12/2000 Gregor et al.
 6,490,979 B1 12/2002 Pflieger
 6,572,122 B2 6/2003 Johnson et al.
 6,589,458 B2 7/2003 DeCost
 6,644,674 B2 11/2003 Simard
 6,705,623 B2 3/2004 Nadeau et al.
 6,761,364 B2 7/2004 Murar et al.
 6,923,456 B2 8/2005 Ryan et al.
 6,983,944 B2 1/2006 Bergia
 7,104,552 B2 9/2006 Swanson et al.
 D530,478 S 10/2006 Splain et al.
 D540,998 S 4/2007 Splain et al.
 7,216,875 B2 5/2007 O'Quin
 D546,021 S 7/2007 Splain et al.
 7,237,782 B2 7/2007 Tucker et al.
 7,240,910 B2 7/2007 Stuemke
 7,255,271 B2 8/2007 Ulrich et al.
 D550,423 S 9/2007 Splain et al.
 D556,413 S 11/2007 Splain et al.
 7,303,198 B2 12/2007 Higgins
 7,322,582 B2 1/2008 Prather et al.
 7,384,049 B2 6/2008 Peota et al.
 7,398,976 B2 7/2008 Splain et al.
 D575,472 S 8/2008 Splain et al.
 7,407,169 B2 8/2008 Splain et al.
 7,410,178 B2 8/2008 Splain et al.
 7,416,194 B2 8/2008 Splain et al.
 D582,122 S 12/2008 Splain et al.
 7,494,135 B2 2/2009 Ash et al.
 D588,774 S 3/2009 Peota et al.
 D588,775 S 3/2009 Peota et al.
 D591,474 S 4/2009 Peota et al.
 7,600,763 B2 10/2009 Splain et al.
 D607,173 S 12/2009 Selvig et al.
 7,766,347 B2 8/2010 Ryan et al.
 7,780,036 B2 8/2010 Splain et al.
 7,780,902 B2 8/2010 Pruitt, Jr. et al.
 D623,374 S 9/2010 Splain et al.
 7,793,948 B2 9/2010 Splain et al.
 7,959,166 B2 6/2011 Splain et al.
 D641,532 S 7/2011 Peota et al.
 D643,175 S 8/2011 Peota et al.
 D644,810 S 9/2011 Peota et al.
 8,056,909 B2 11/2011 Burdwood et al.
 8,066,291 B2 11/2011 Cagan et al.
 8,096,564 B2 1/2012 Berthiaume et al.
 D656,288 S 3/2012 Walter
 8,256,792 B2 9/2012 Conrad et al.
 8,282,119 B1 10/2012 Caksa
 8,313,114 B1 11/2012 Aron
 D683,102 S 5/2013 Muscara
 D684,744 S 6/2013 Walter
 8,684,371 B2 4/2014 Berthiaume et al.
 D710,562 S * 8/2014 Stauff et al. D34/27
 D714,011 S 9/2014 Fredendall et al.
 D714,012 S 9/2014 Fredendall et al.
 D733,388 S 6/2015 Stauff et al.
 2002/0020976 A1 2/2002 Nadeau et al.
 2002/0020977 A1 2/2002 Johnson et al.
 2002/0074753 A1 6/2002 Thalhofer et al.
 2003/0057666 A1 3/2003 Murar et al.
 2003/0116933 A1 6/2003 Nadeau
 2003/0132612 A1 7/2003 Pike et al.

2004/0104549 A1 6/2004 Bergia
 2004/0111320 A1 6/2004 Schlieffers
 2005/0087944 A1 4/2005 Higgins
 2005/0189731 A1 9/2005 Swanson et al.
 2005/0242549 A1 11/2005 Longenecker et al.
 2006/0157946 A1 7/2006 Stuemke
 2006/0181062 A1 8/2006 Robinson
 2006/0186620 A1 8/2006 Tucker et al.
 2007/0063463 A1 3/2007 Splain et al.
 2007/0063464 A1 3/2007 Splain
 2007/0126207 A1 6/2007 Rojas et al.
 2007/0210541 A1 9/2007 Johnson
 2008/0111328 A1 5/2008 Ryan
 2008/0164640 A1 7/2008 Pruitt et al.
 2008/0211200 A1 9/2008 Eberlein
 2008/0309037 A1 12/2008 Hebert
 2009/0033118 A1 2/2009 Gomez
 2009/0058024 A1 3/2009 Cagan et al.
 2009/0159402 A1 6/2009 Webster
 2009/0160146 A1 6/2009 Berthiaume et al.
 2009/0242355 A1 10/2009 Webster
 2010/0038886 A1 2/2010 Greger et al.
 2010/0102523 A1 4/2010 Deal et al.
 2010/0194064 A1 8/2010 Simonson et al.
 2010/0200629 A1 8/2010 Reynolds
 2010/0230934 A1 9/2010 Fine
 2010/0276899 A1 11/2010 Burdwood et al.
 2010/0276909 A1 11/2010 Liu
 2011/0062675 A1 3/2011 Brown
 2011/0147164 A1 6/2011 Webster
 2011/0148076 A1 6/2011 Chen
 2012/0074826 A1 3/2012 Klaus et al.
 2012/0097721 A1 4/2012 Winterhalter et al.
 2012/0161406 A1 6/2012 Mersky
 2012/0304440 A1 12/2012 Berthiaume et al.
 2013/0038036 A1 2/2013 Lester
 2013/0140778 A1 6/2013 Stauff et al.
 2013/0153616 A1 6/2013 Geva et al.
 2013/0255736 A1 10/2013 Horst
 2013/0300076 A1 11/2013 Berthiaume et al.
 2013/0300090 A1 11/2013 Wang

FOREIGN PATENT DOCUMENTS

CA 2314774 A1 1/2002
 DE 3305378 9/1984
 DE 3419488 11/1985
 DE 102004048623 4/2006
 DE 102007060983 6/2009
 DE 102009042287 3/2011
 EP 0364655 4/1990
 EP 0937625 8/1999
 EP 1400428 A1 3/2004
 EP 1591341 A2 11/2005
 FR 2863997 6/2005
 GB 962378 7/1964
 GB 1007453 A 10/1965
 GB 2316368 2/1998
 JP 326670 11/1991
 JP 2012218502 A 11/2012
 KR 20120037780 A 4/2012
 WO WO 99/58438 11/1999
 WO 01/81064 11/2001
 WO WO 2013/12644 A1 8/2013
 WO WO 2013/112644 A1 8/2013

OTHER PUBLICATIONS

Design U.S. Appl. No. 29/452,211, filed Apr. 12, 2013 (32 pages).
 Design U.S. Appl. No. 29/469,610, filed Oct. 11, 2013 (141 pages).
 PCT/US2012/054514 Written Opinion of the International Preliminary Examining Authority dated Sep. 18, 2013 (14 pages).
 EP14167584.3 Extended European Search Report dated Jun. 25, 2014 (8 pages).
 EP14167583.5 Extended European Search Report dated Jun. 25, 2014 (8 pages).

* cited by examiner

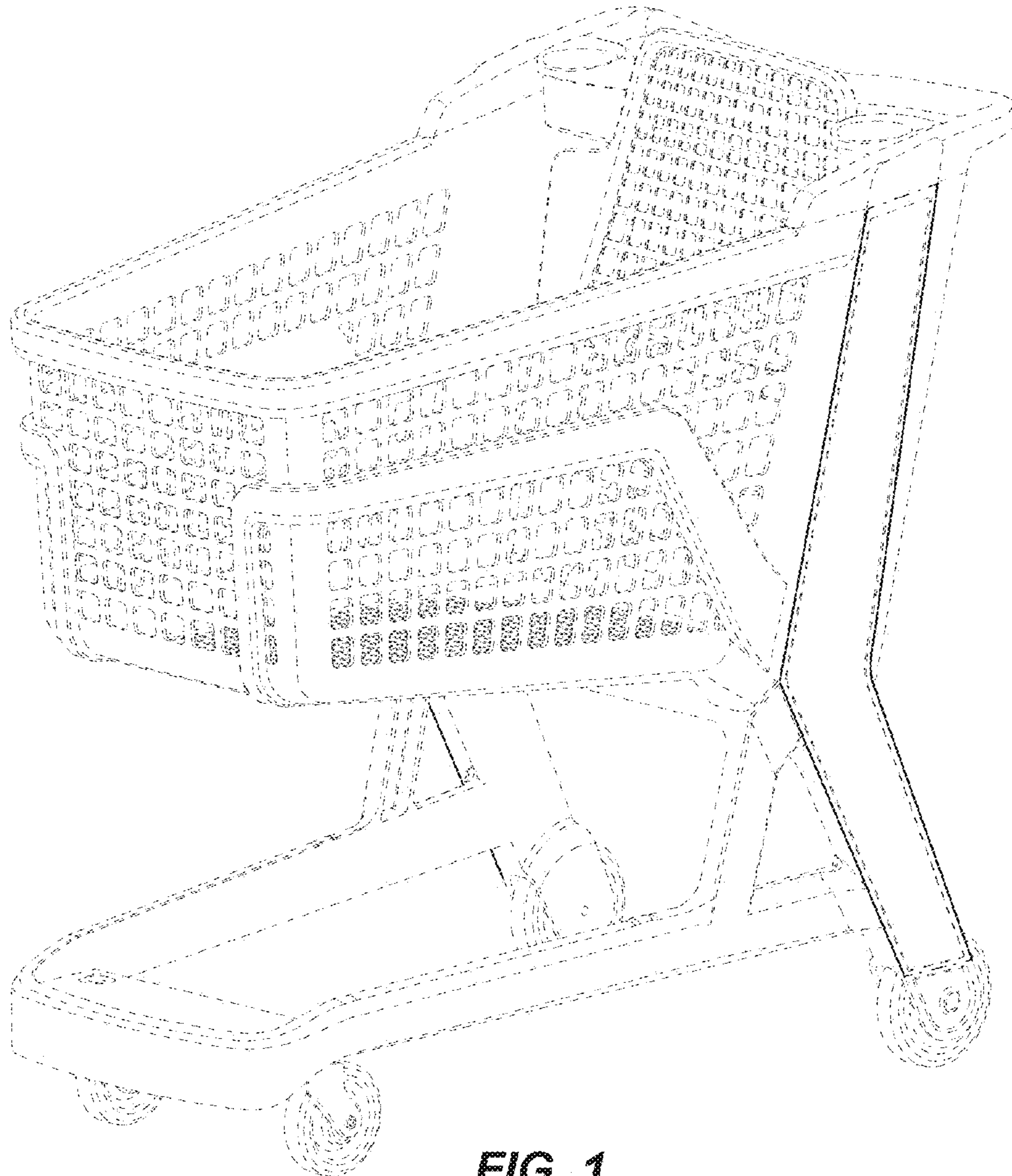


FIG. 1

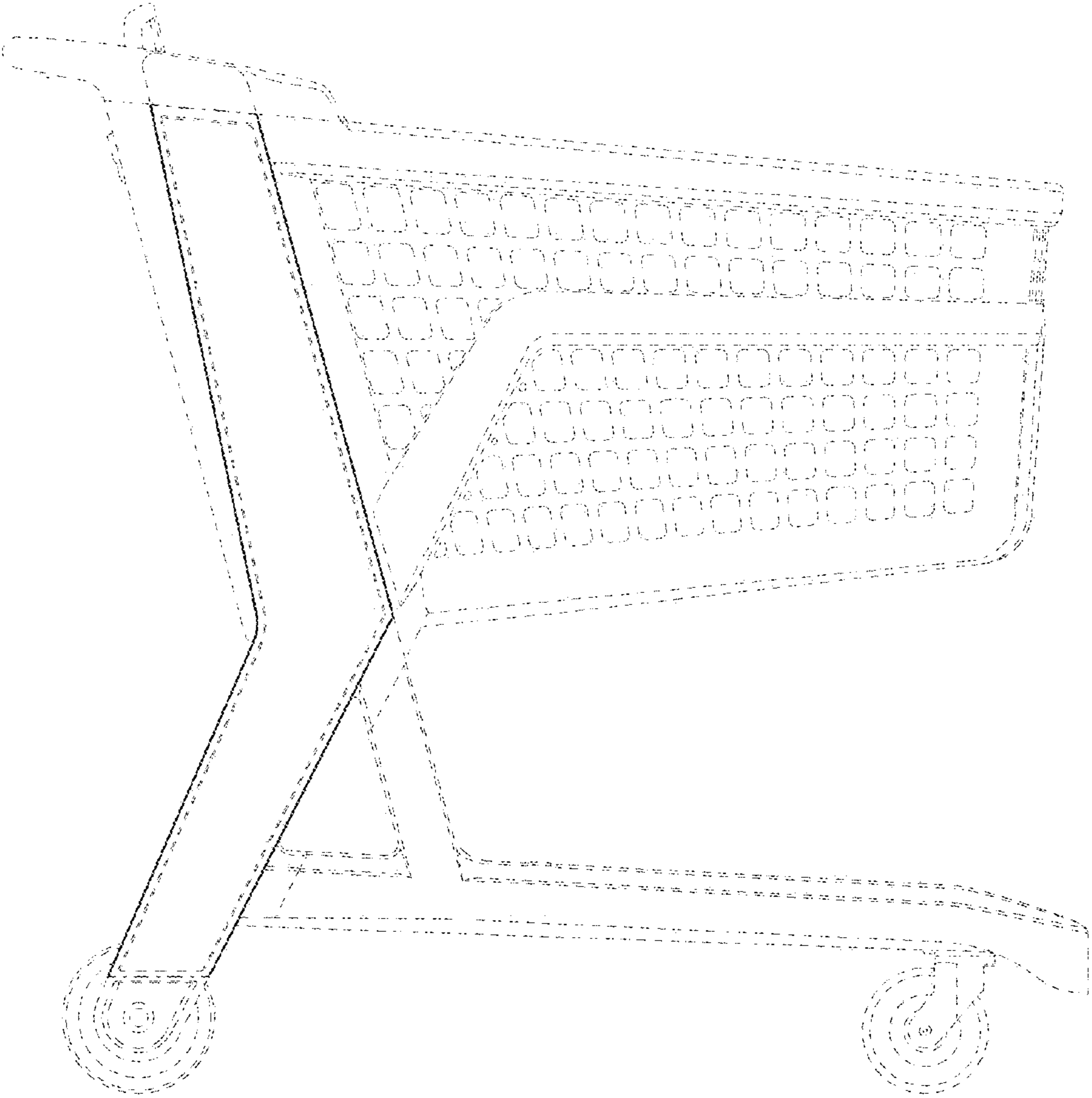


FIG. 2

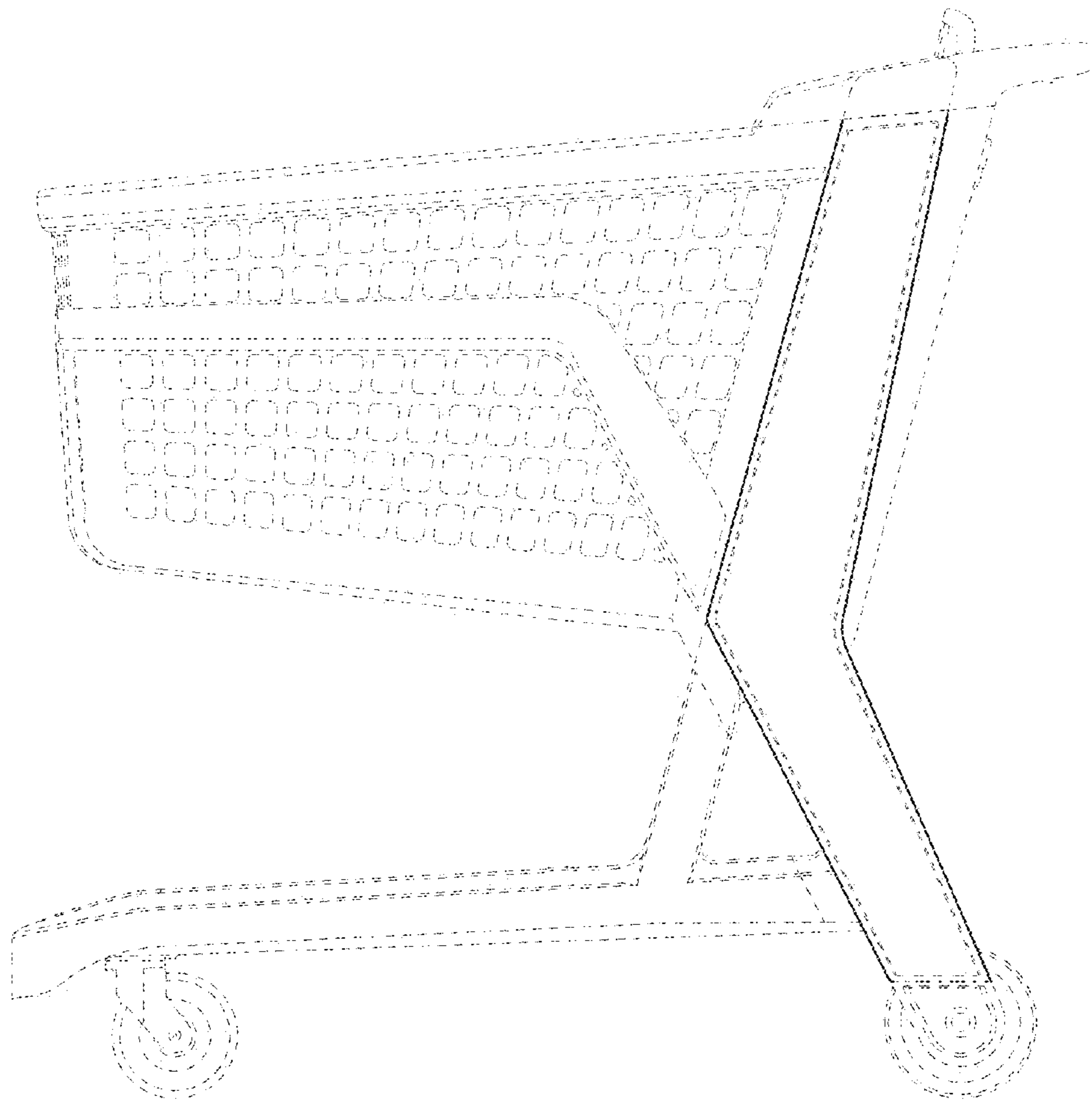


FIG. 3

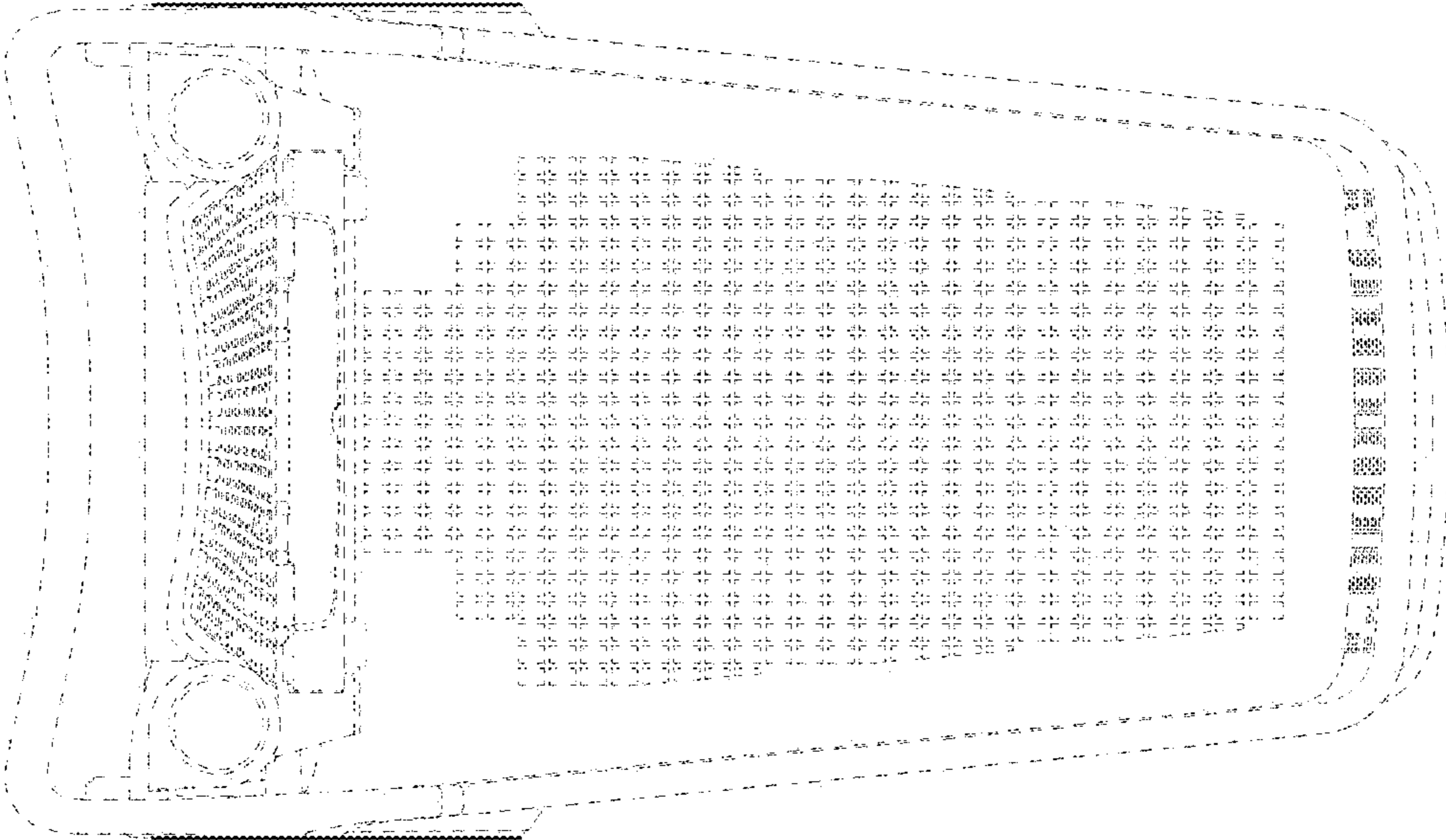


FIG. 4

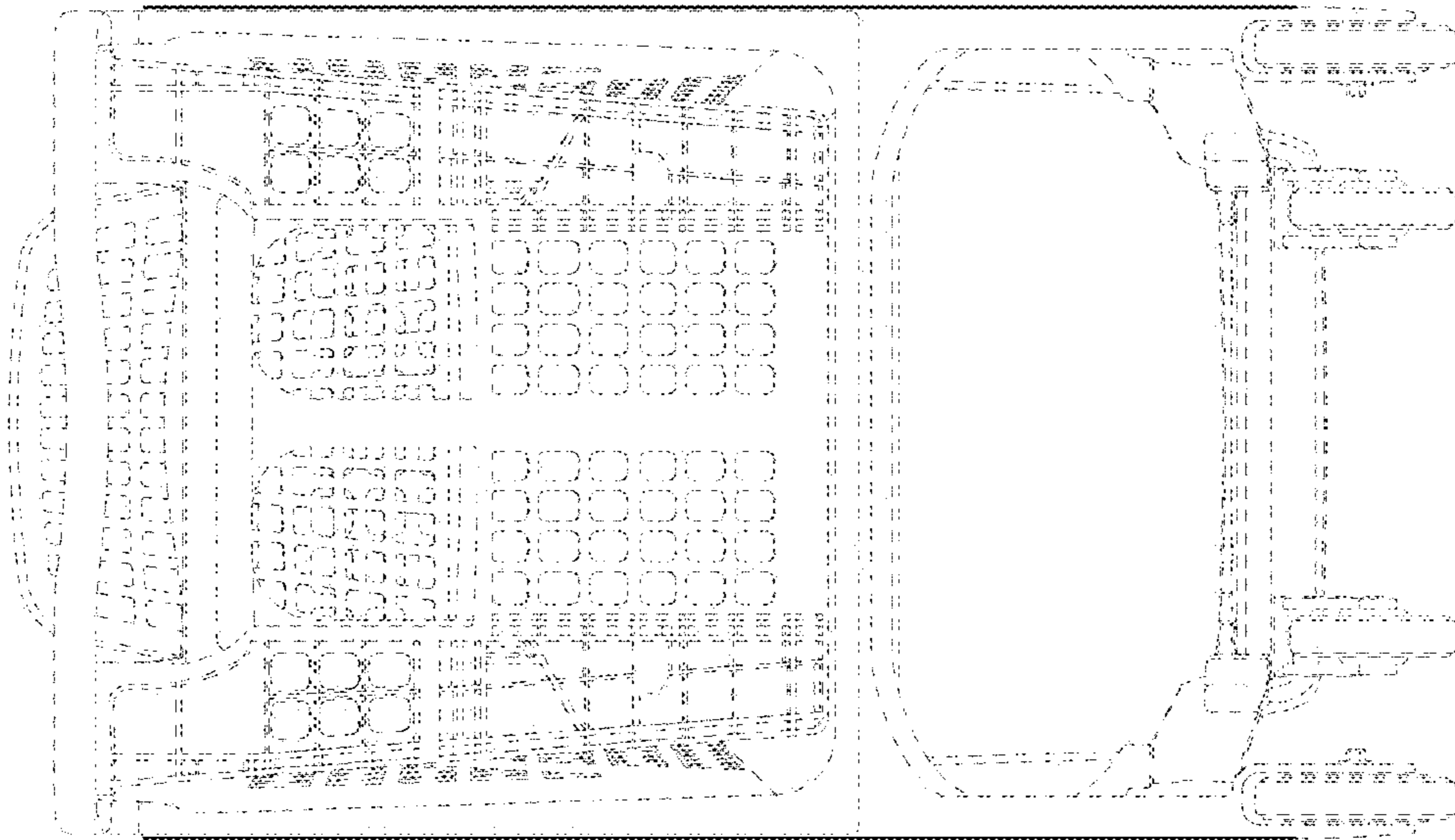


FIG. 6

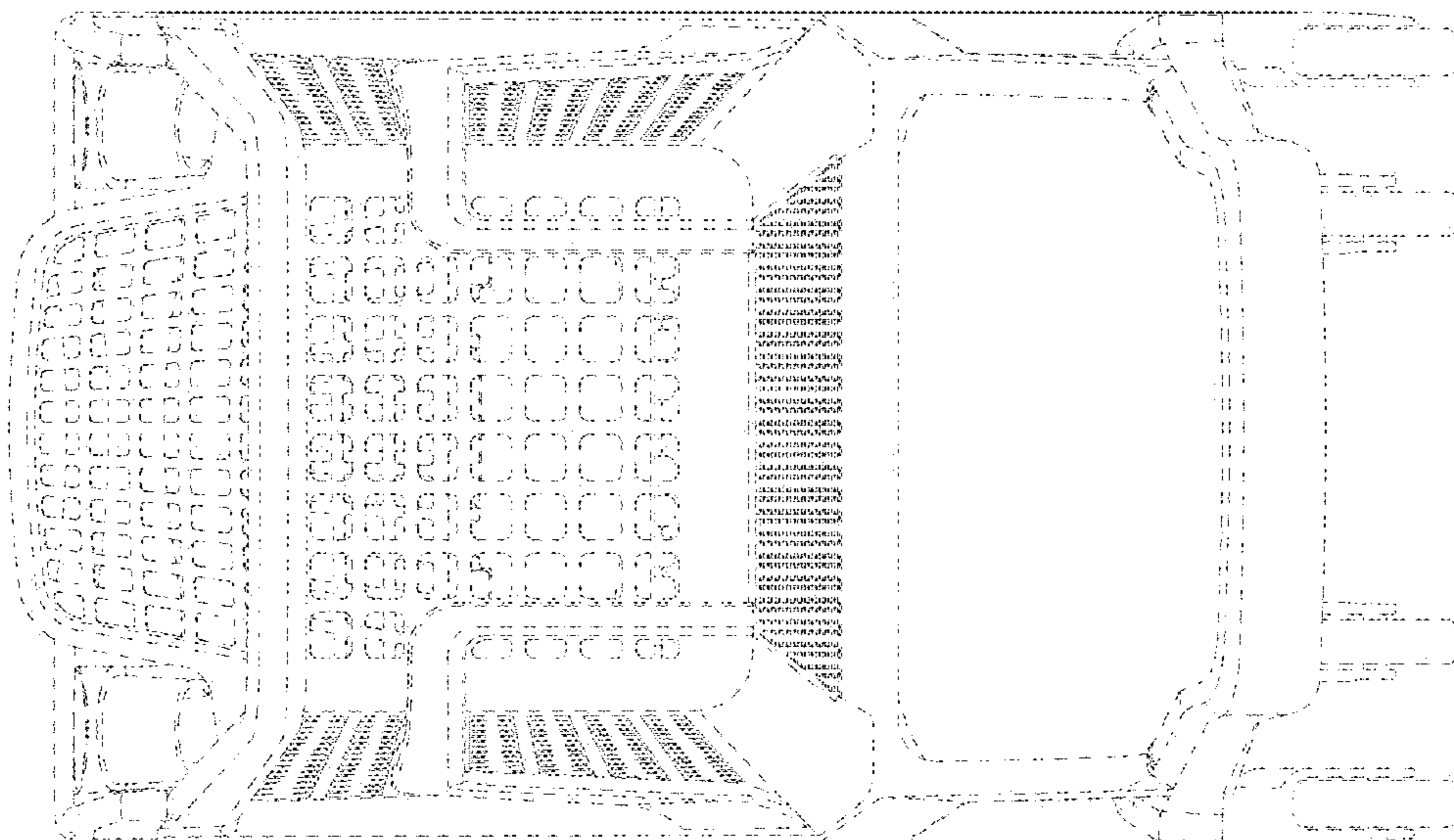


FIG. 5