



US00D747586S

(12) **United States Design Patent**
Ludchen

(10) **Patent No.:** **US D747,586 S**
(45) **Date of Patent:** **** Jan. 12, 2016**

- (54) **COMBINED REFUSE AND RECYCLE BIN ORGANIZER**
- (71) Applicant: **Richard E. Ludchen**, Niagara Falls (CA)
- (72) Inventor: **Richard E. Ludchen**, Niagara Falls (CA)
- (**) Term: **14 Years**
- (21) Appl. No.: **29/508,796**
- (22) Filed: **Nov. 11, 2014**
- (51) **LOC (10) Cl.** **12-02**
- (52) **U.S. Cl.**
USPC **D34/17**
- (58) **Field of Classification Search**
USPC D34/1, 10, 11, 12-27; 248/129, 154, 248/DIG. 7
CPC .. B62B 2202/406; B62B 1/262; B62B 1/264; B62B 1/14; B62B 1/12; B62B 1/10; B62B 1/1415; B62B 3/04; B62B 3/008
See application file for complete search history.

- 3,749,414 A * 7/1973 Lynn B62B 1/264 211/83
- 3,907,117 A * 9/1975 Williams A47G 29/00 211/7
- 4,362,309 A 12/1982 Stamper
- D289,578 S * 4/1987 Ruffin D34/17
- 5,820,143 A 10/1998 Rigo
- D417,054 S * 11/1999 Dziengielewski D34/17
- D624,270 S * 9/2010 Uhl D34/17
- 7,866,679 B1 * 1/2011 Leon B62B 1/264 280/47.131
- 8,534,681 B2 9/2013 Tomsha
- 2003/0006586 A1 * 1/2003 Comilla B62B 3/002 280/651
- 2011/0109056 A1 5/2011 Hutchinson

* cited by examiner

Primary Examiner — Cynthia Ramirez

(74) *Attorney, Agent, or Firm* — Robert C. Montgomery; Montgomery Patent and Design, LLC

(57) **CLAIM**

The ornamental design for a combined refuse and recycle bin organizer, as shown and described.

DESCRIPTION

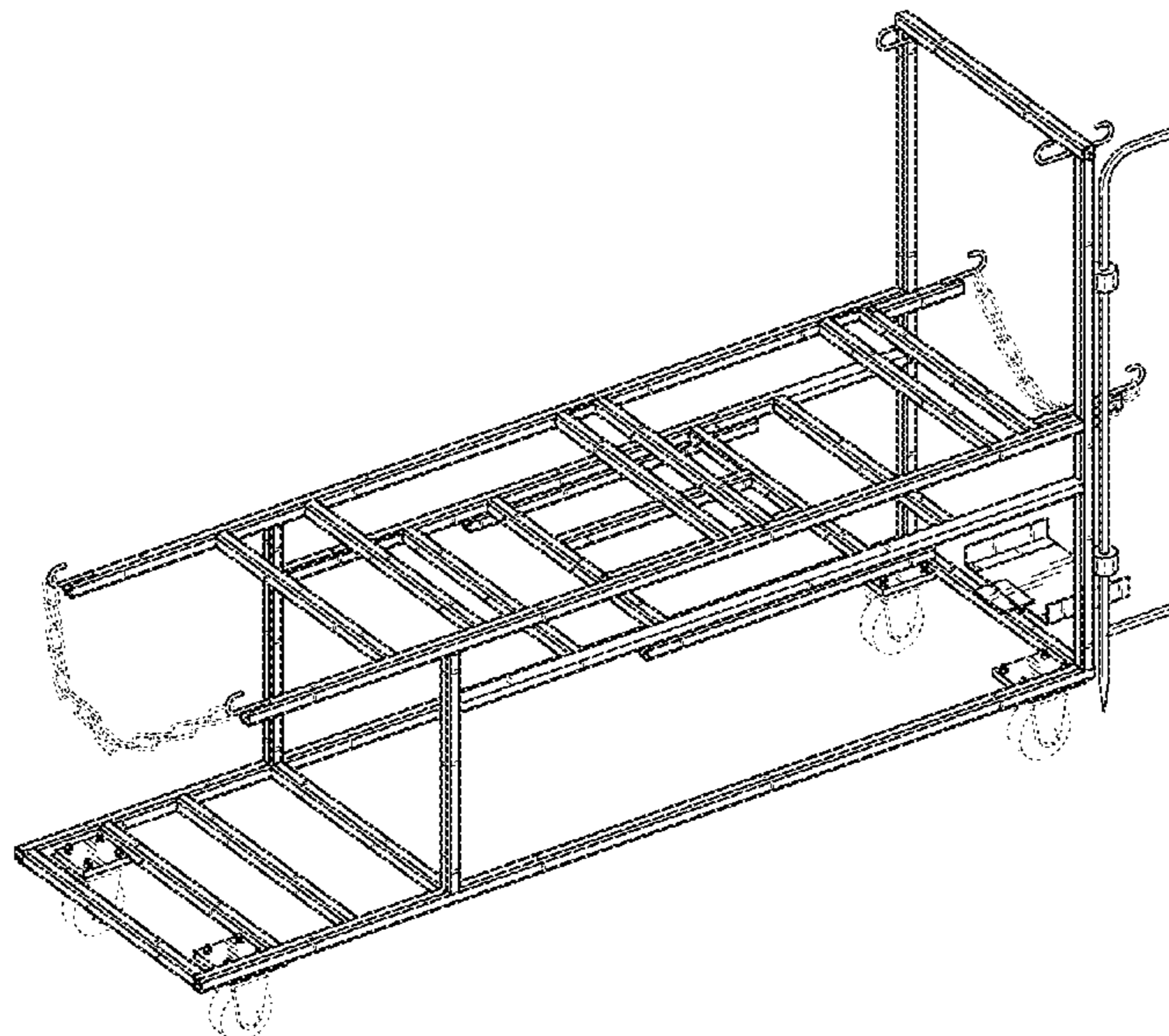
FIG. 1 is a perspective environmental front side view of the combined refuse and recycle bin organizer thereof;
 FIG. 2 is a perspective front side view thereof;
 FIG. 3 is a front side view thereof;
 FIG. 4 is a back side view thereof;
 FIG. 5 is a left side view thereof;
 FIG. 6 is a right side view thereof;
 FIG. 7 is a top plan view thereof; and,
 FIG. 8 is a bottom plan view thereof.
 The broken line showing of chains and wheels in FIG. 1 is included for the purpose of illustrating environment and forms no part of the claimed design.

1 Claim, 8 Drawing Sheets

(56) **References Cited**

U.S. PATENT DOCUMENTS

- D182,298 S * 3/1958 McGrath 280/47
- 2,855,210 A 10/1958 Joyce
- 3,111,333 A 11/1963 Marini et al.
- D198,621 S * 7/1964 Melrose D34/24
- D204,753 S * 5/1966 Sheperd D34/24
- 3,341,219 A 9/1967 Marini et al.
- 3,479,047 A * 11/1969 Bailey B62B 1/264 211/85.19
- D219,581 S * 12/1970 Parsons D34/24
- 3,547,273 A * 12/1970 Bompert B65F 1/141 211/84
- D219,810 S * 2/1971 Mitchell D34/24
- D219,870 S 2/1971 Stover



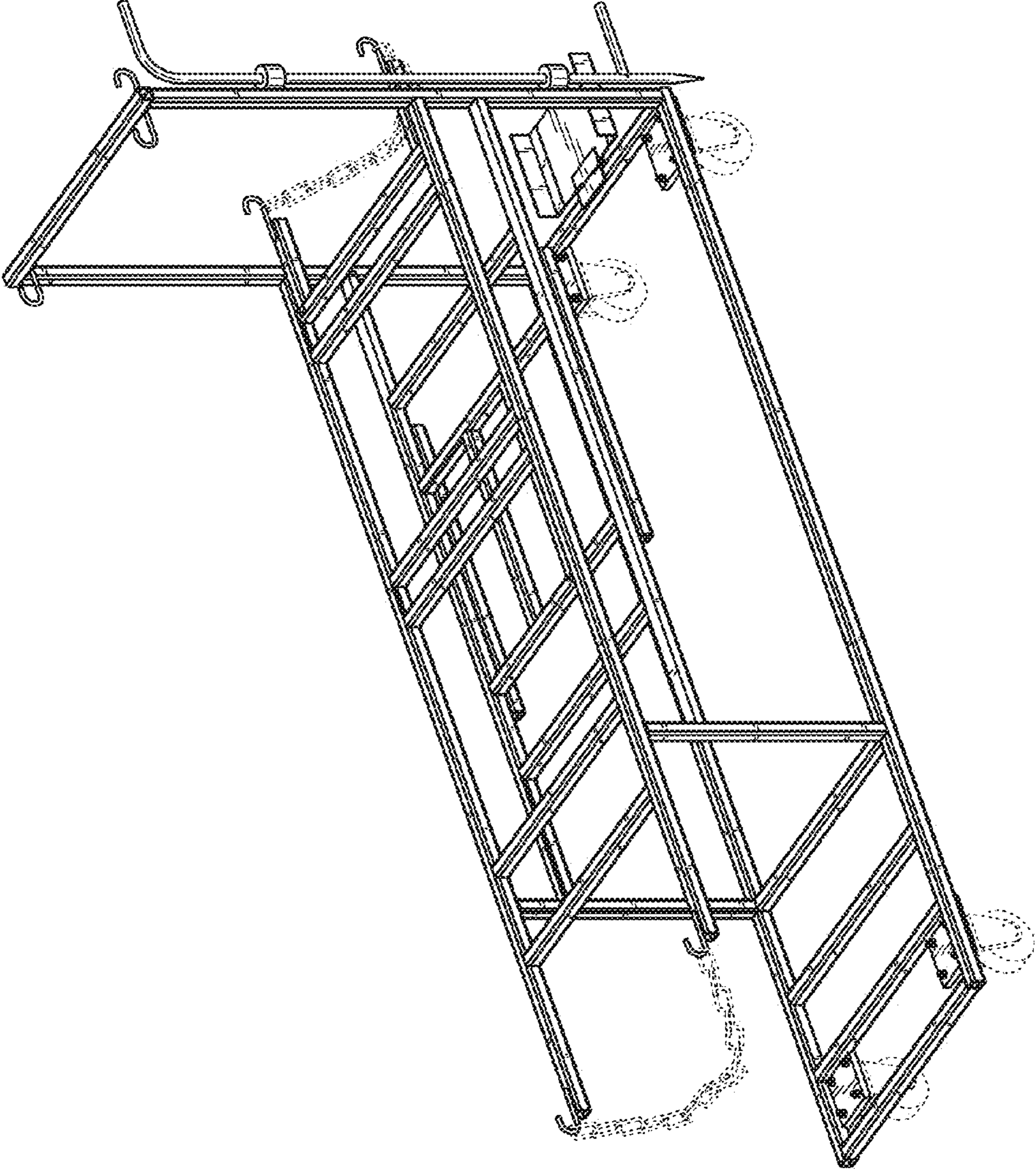


Fig. 1

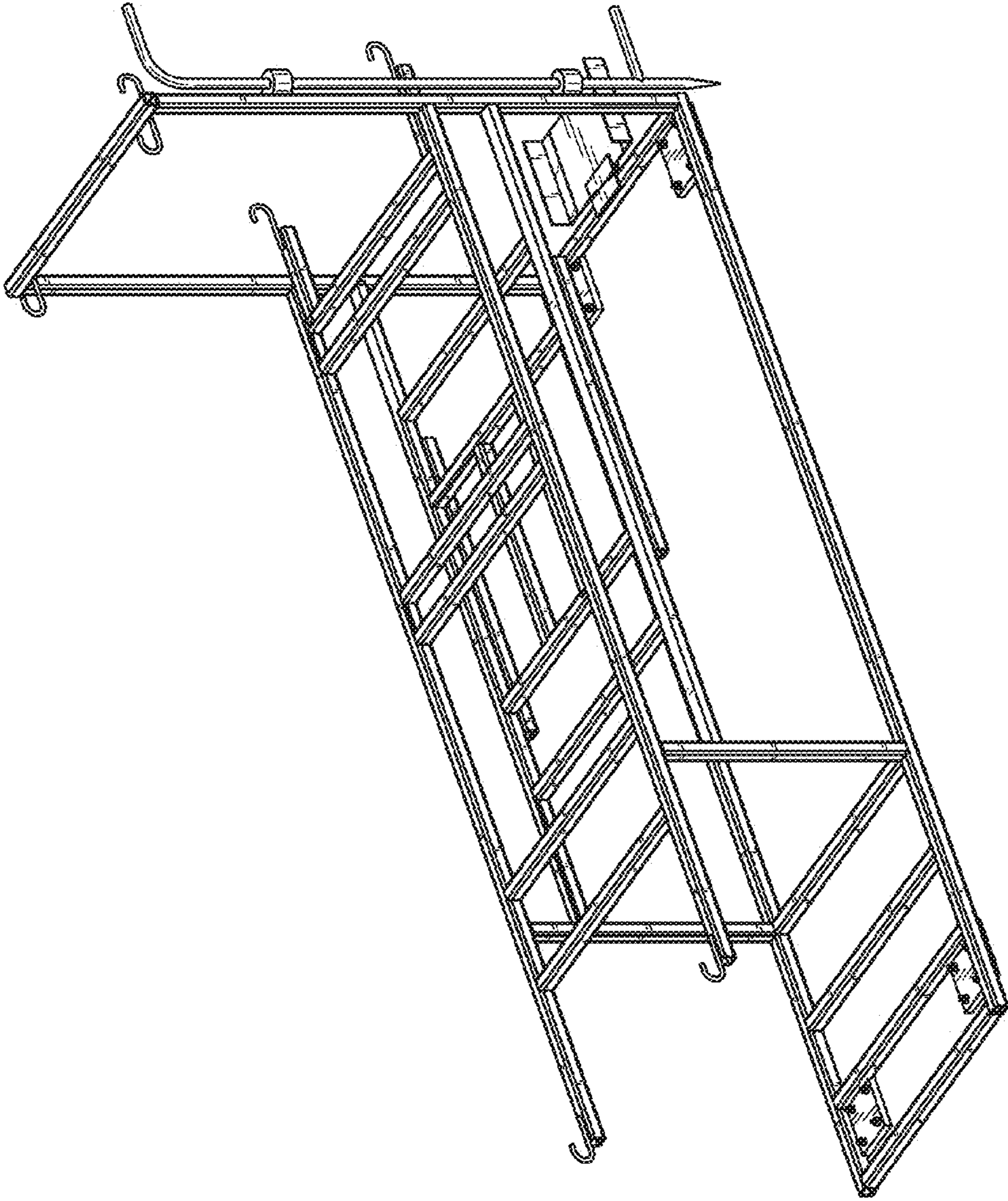


Fig. 2

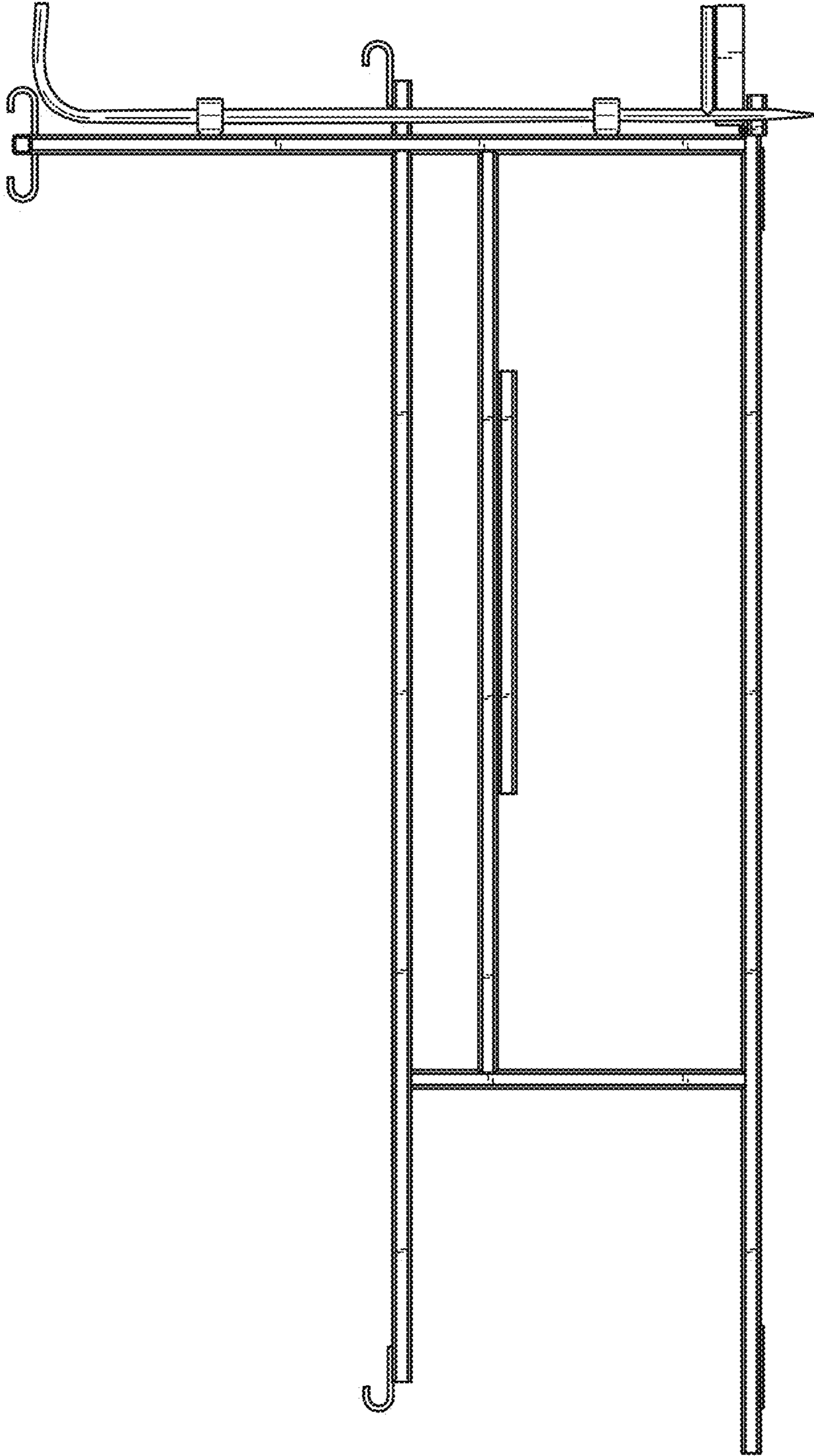


Fig. 3

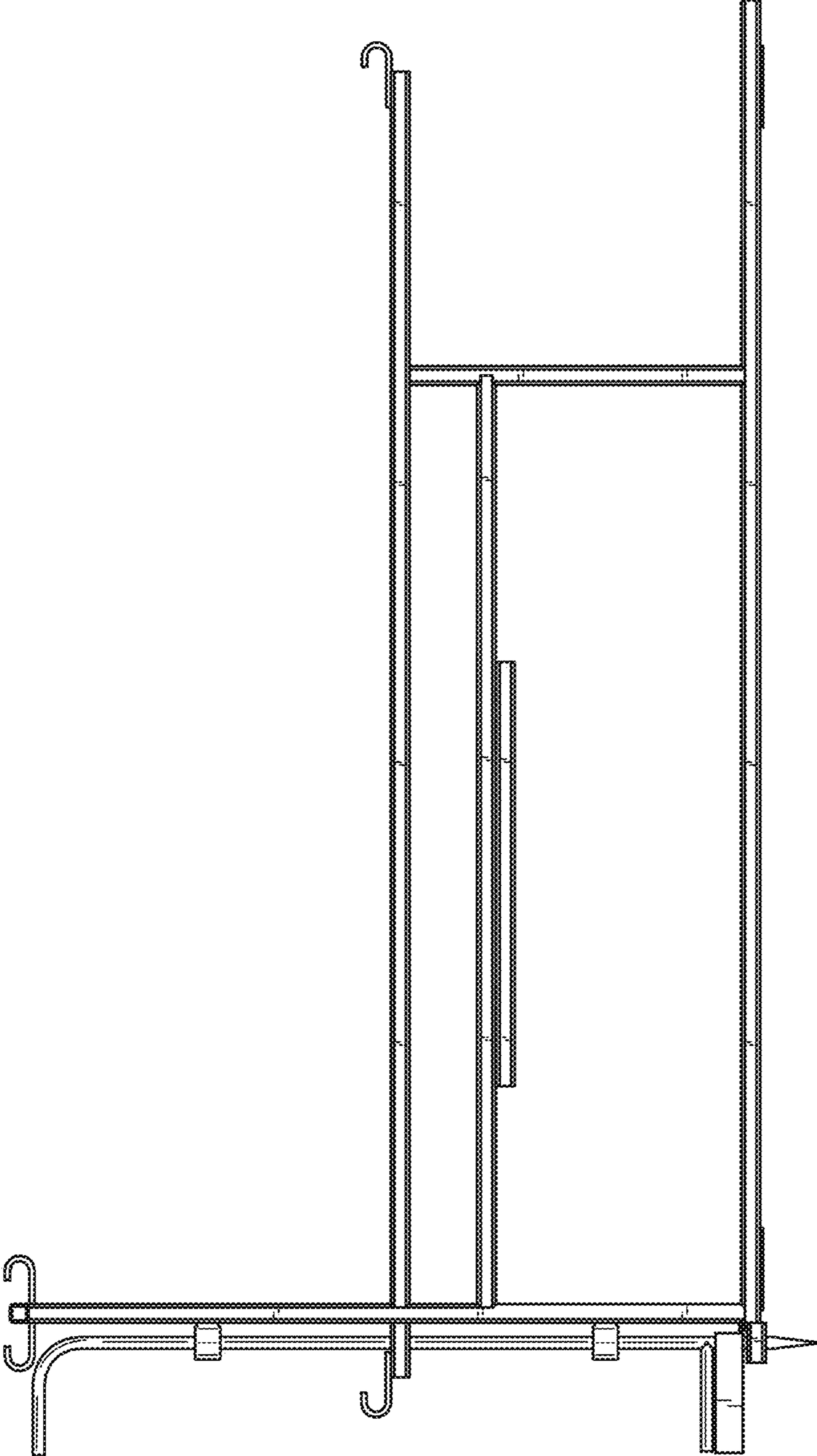


Fig. 4

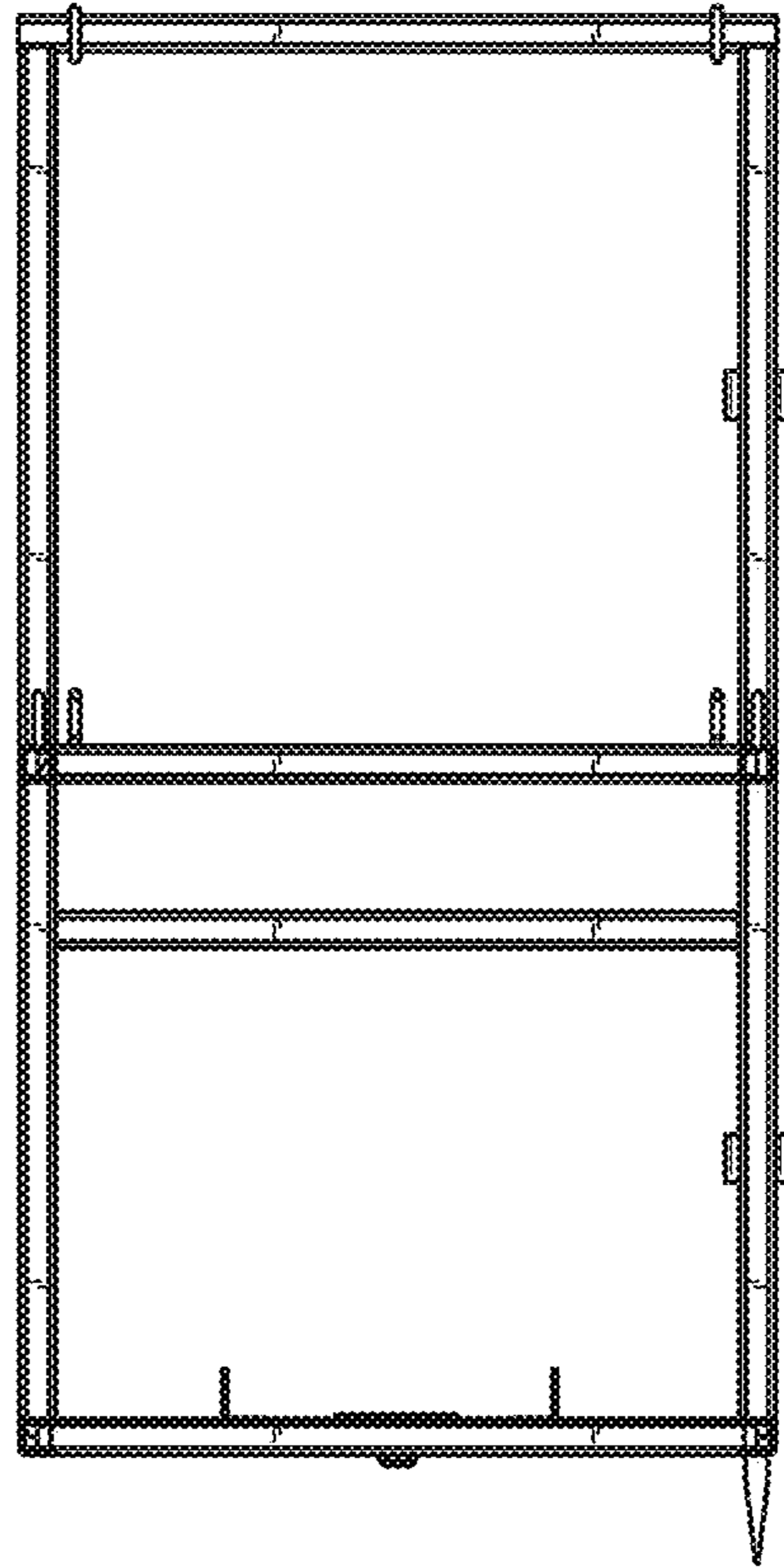


Fig. 5

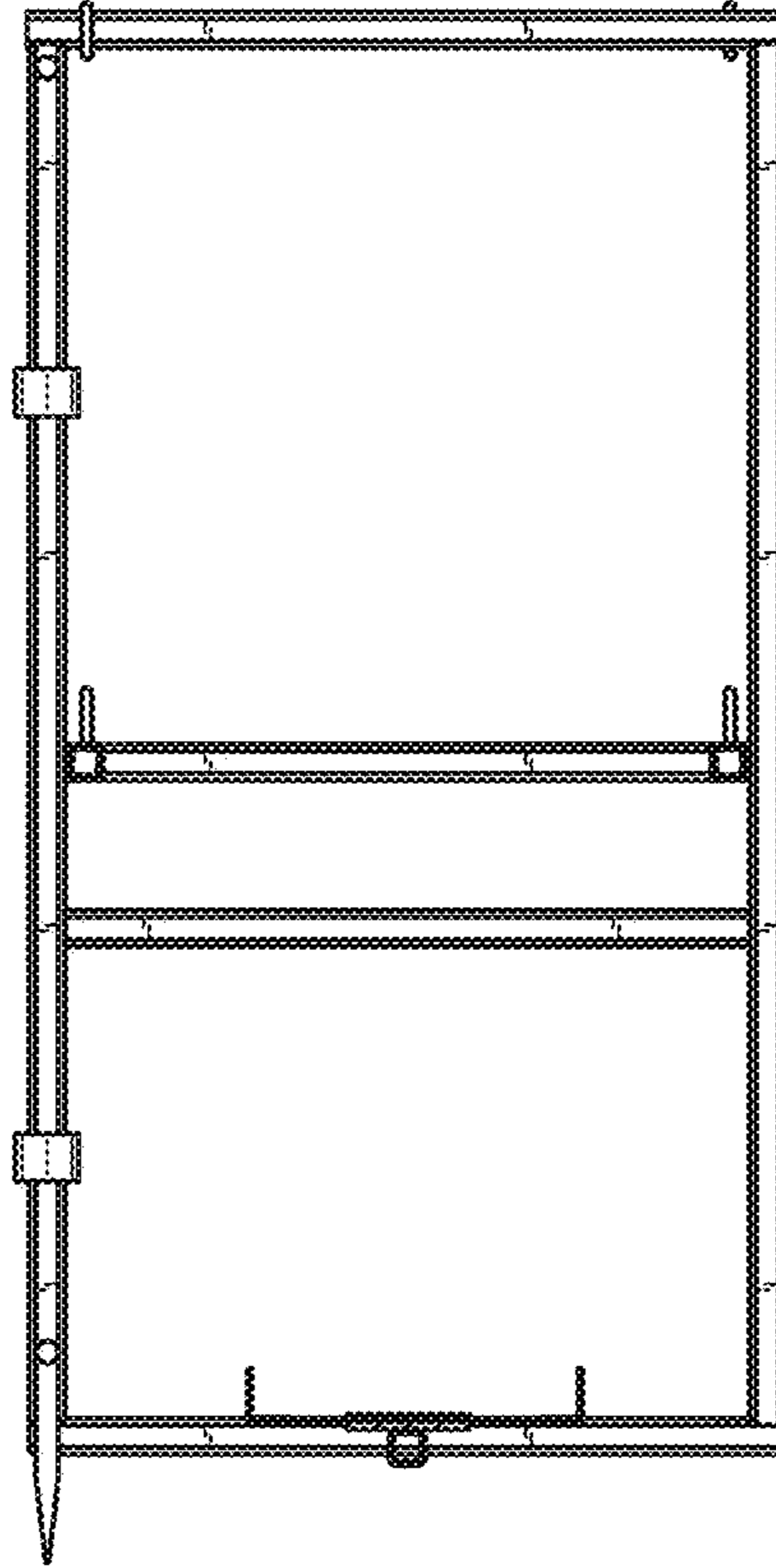


Fig. 6

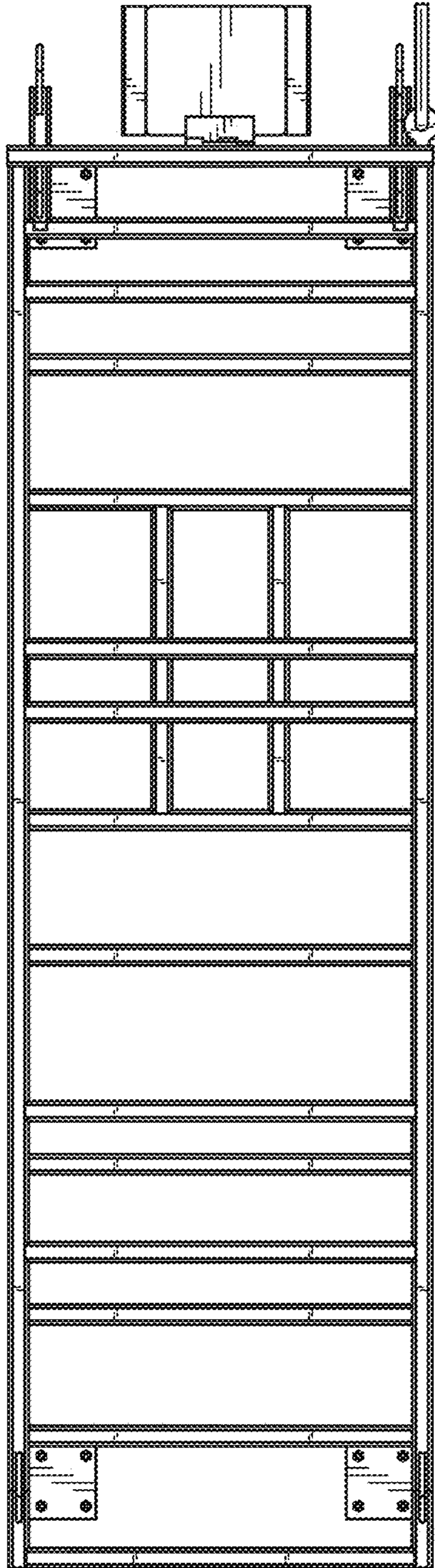


Fig. 7

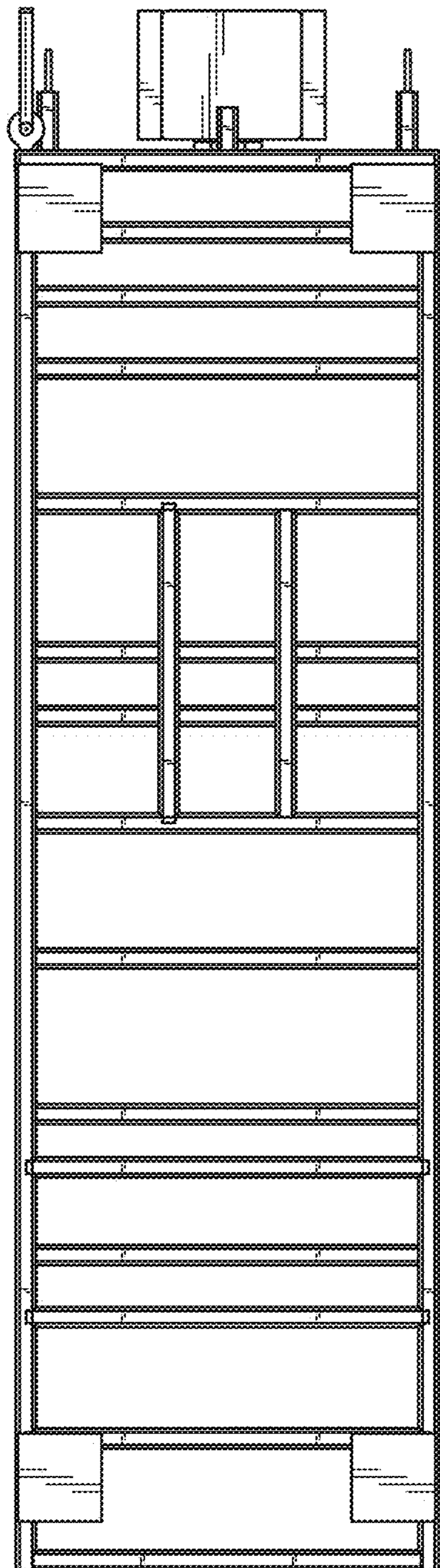


Fig. 8