



US00D747582S

(12) **United States Design Patent**
Weller

(10) **Patent No.:** **US D747,582 S**

(45) **Date of Patent:** **** Jan. 12, 2016**

(54) **SEAT BELT CLEANER**

(71) Applicant: **Ronald Kenneth Weller**, La Mesa, CA
(US)

(72) Inventor: **Ronald Kenneth Weller**, La Mesa, CA
(US)

(**) Term: **14 Years**

(21) Appl. No.: **29/525,776**

(22) Filed: **May 1, 2015**

(51) **LOC (10) Cl.** **04-01**

(52) **U.S. Cl.**
USPC **D32/40**

(58) **Field of Classification Search**
USPC D32/40; D8/93; 15/218, 218.1, 220.4,
15/210.1

See application file for complete search history.

(56) **References Cited**

U.S. PATENT DOCUMENTS

184,523	A *	11/1876	Haskell	15/218.1
D25,126	S *	2/1896	Slayton	D8/93
739,807	A *	9/1903	Appleton	15/218.1
977,680	A *	12/1910	Robison	15/218.1
2,719,313	A *	10/1955	Smith	15/118
D242,838	S *	12/1976	Vilsack	D32/40
4,103,388	A *	8/1978	DeVitis	15/220.4
4,164,054	A *	8/1979	Hanson et al.	15/220.4
4,374,445	A *	2/1983	Wilson	15/220.4
4,506,404	A *	3/1985	Clay	15/244.3
5,016,401	A *	5/1991	Mangus	451/59

D340,558	S *	10/1993	Winters	D32/40
D343,484	S *	1/1994	Moran et al.	D32/40
D363,867	S *	11/1995	Harrison et al.	D8/63
D365,425	S *	12/1995	Breshears	D32/40
5,588,848	A *	12/1996	Law et al.	439/83
D397,270	S *	8/1998	Maalouf	D6/601
6,305,047	B1 *	10/2001	Armaly et al.	15/244.4
6,574,825	B1 *	6/2003	Boldy	15/244.4
7,260,863	B2 *	8/2007	Kaufman et al.	15/114

* cited by examiner

Primary Examiner — Robin V Webster

(74) *Attorney, Agent, or Firm* — Michael D. Eisenberg

(57) **CLAIM**

The ornamental design for a seat belt cleaner, as shown and described.

DESCRIPTION

FIG. 1 is a perspective view of a seat belt cleaner showing my new design;

FIG. 2 is a front view of the seat belt cleaner;

FIG. 3 is a top side view of the seat belt cleaner;

FIG. 4 is a left side view of the seat belt cleaner;

FIG. 5 is a right side view of the seat belt cleaner;

FIG. 6 is a rear view of the seat belt cleaner;

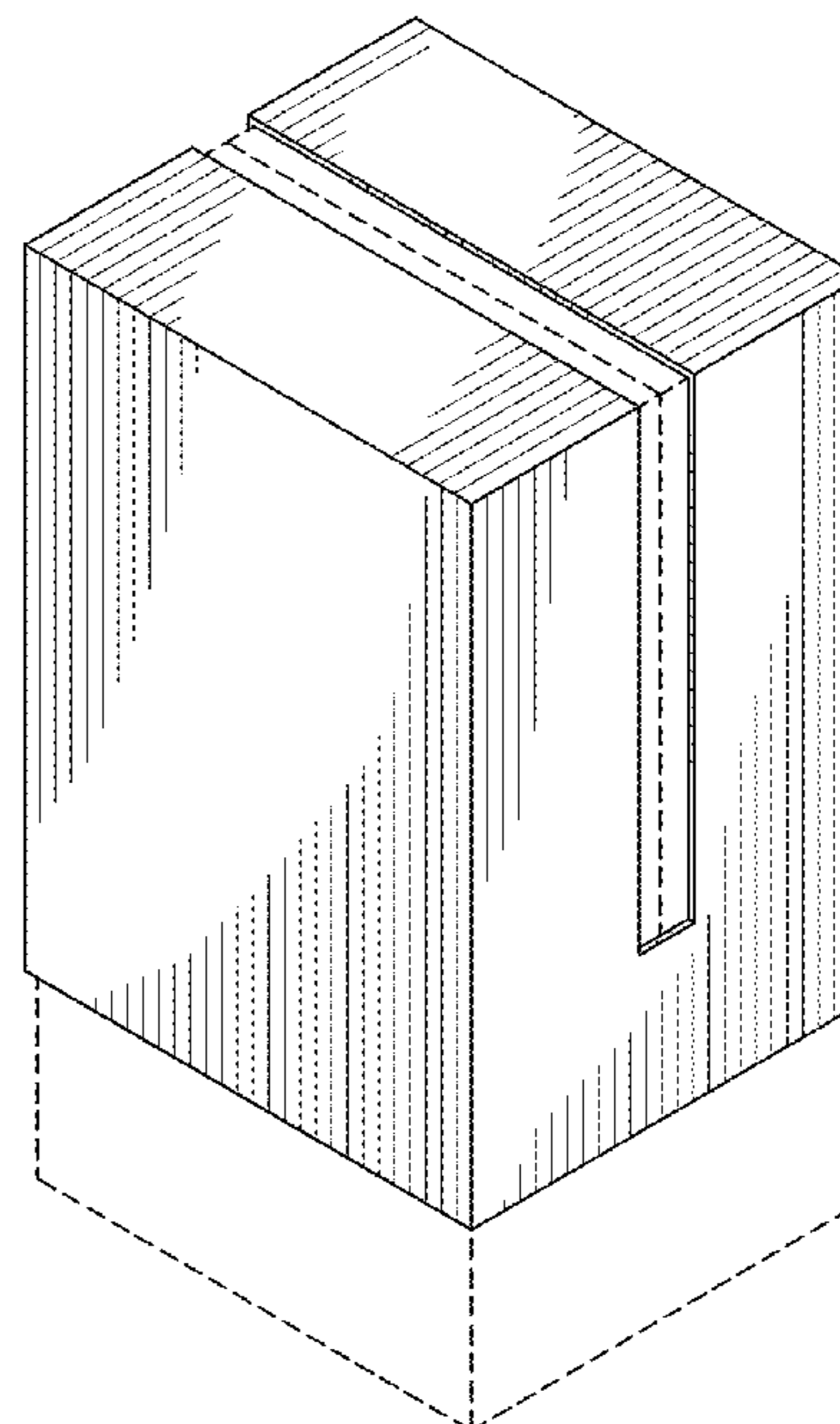
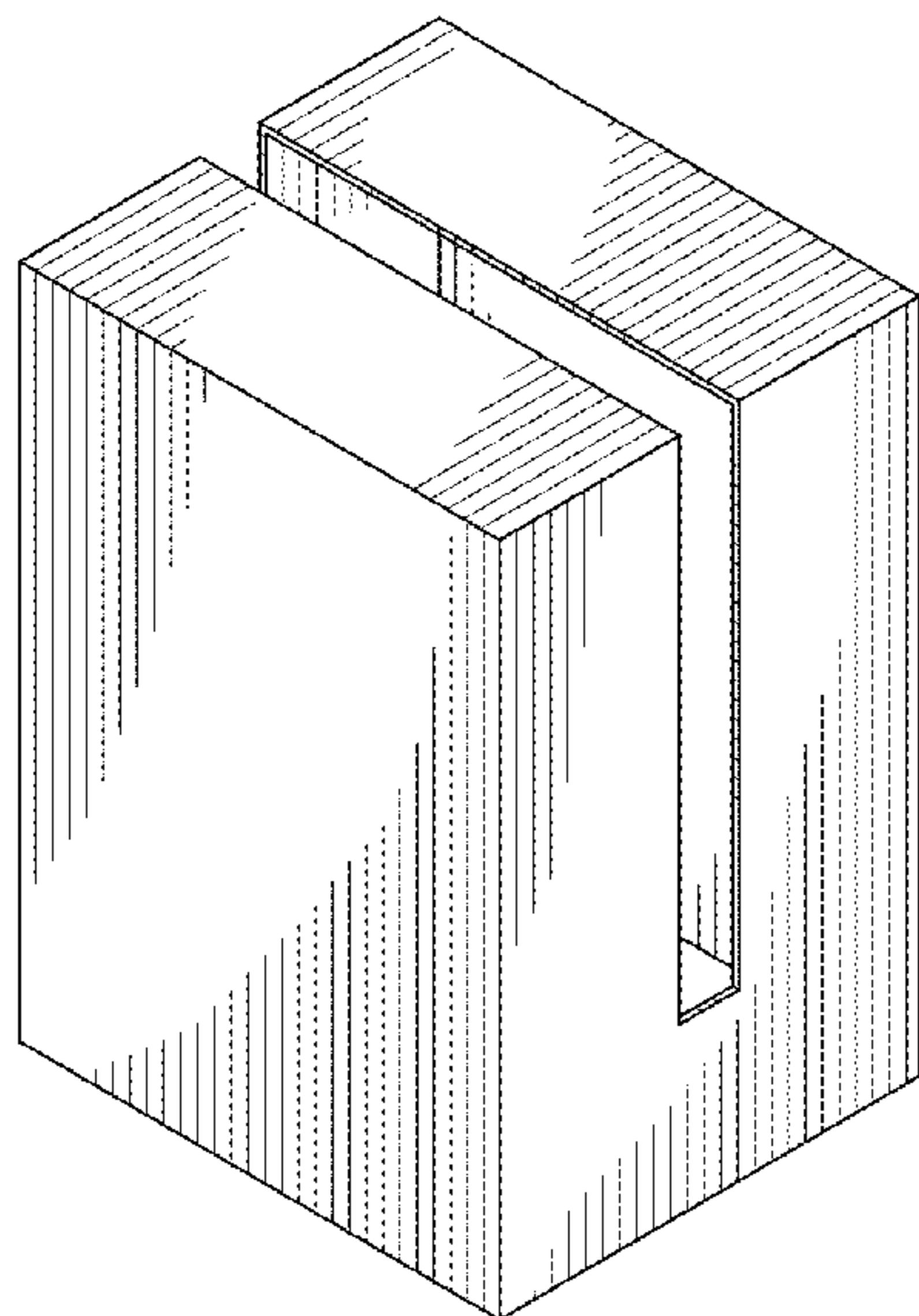
FIG. 7 is a bottom view of the seat belt cleaner;

FIG. 8 is a perspective view of the seat belt cleaner with a block of cleaning material fitted therein; and,

FIG. 9 is an exploded view of the seat belt cleaner with a block of cleaning material that fits within the cleaner.

The broken lines shown are for illustrative purposes only and form no part of the claimed design.

1 Claim, 4 Drawing Sheets



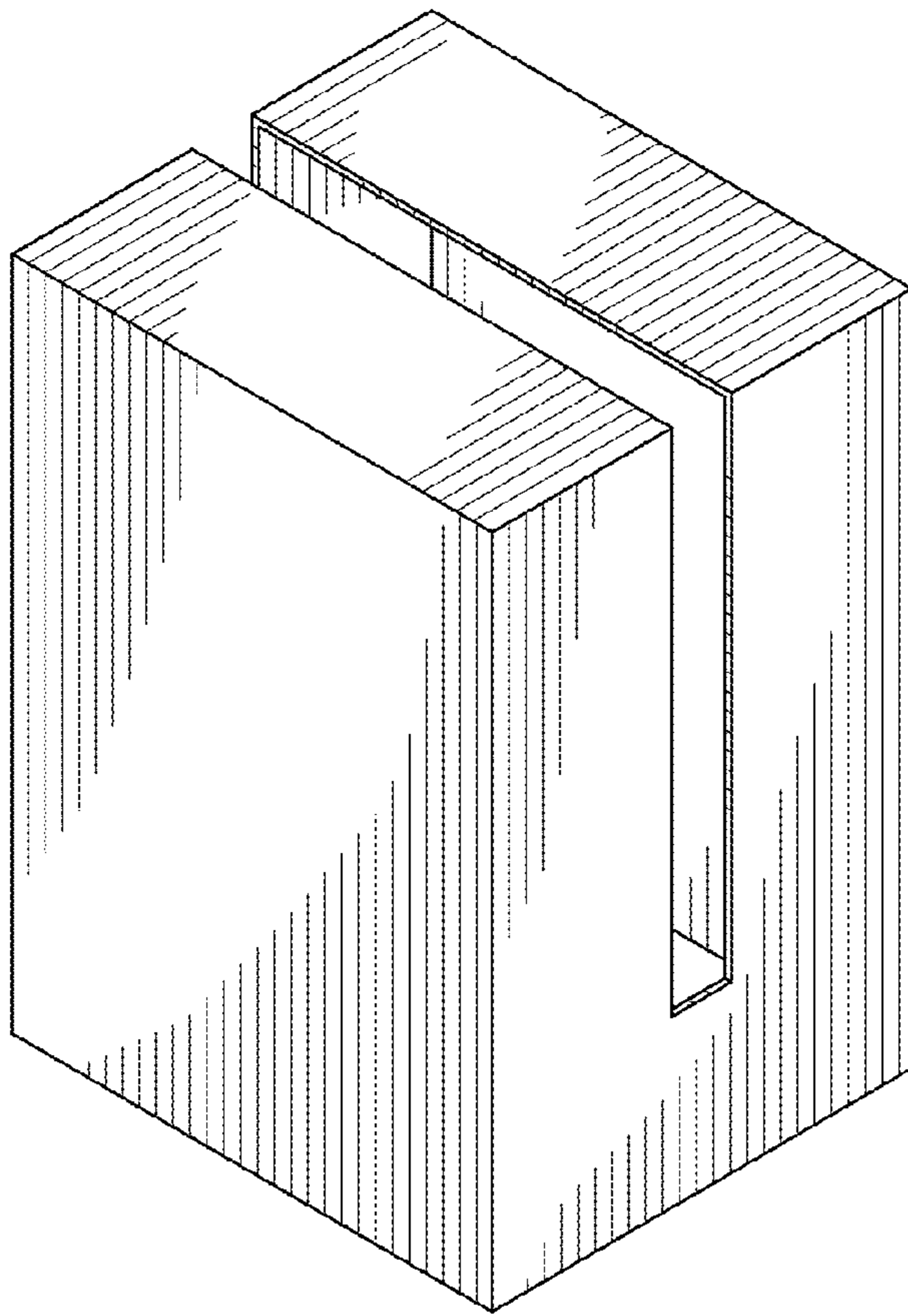


FIG. 1

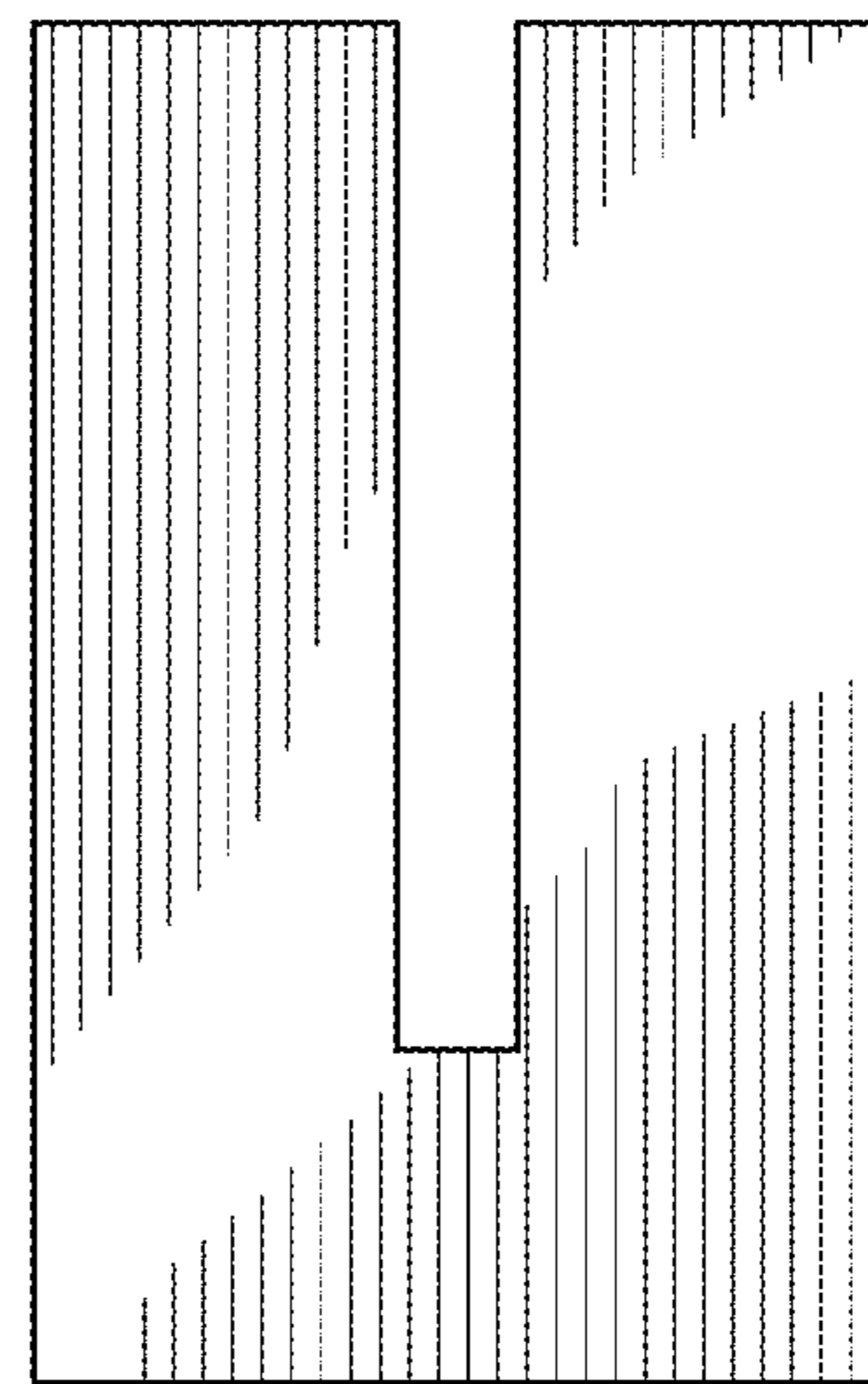


FIG. 2

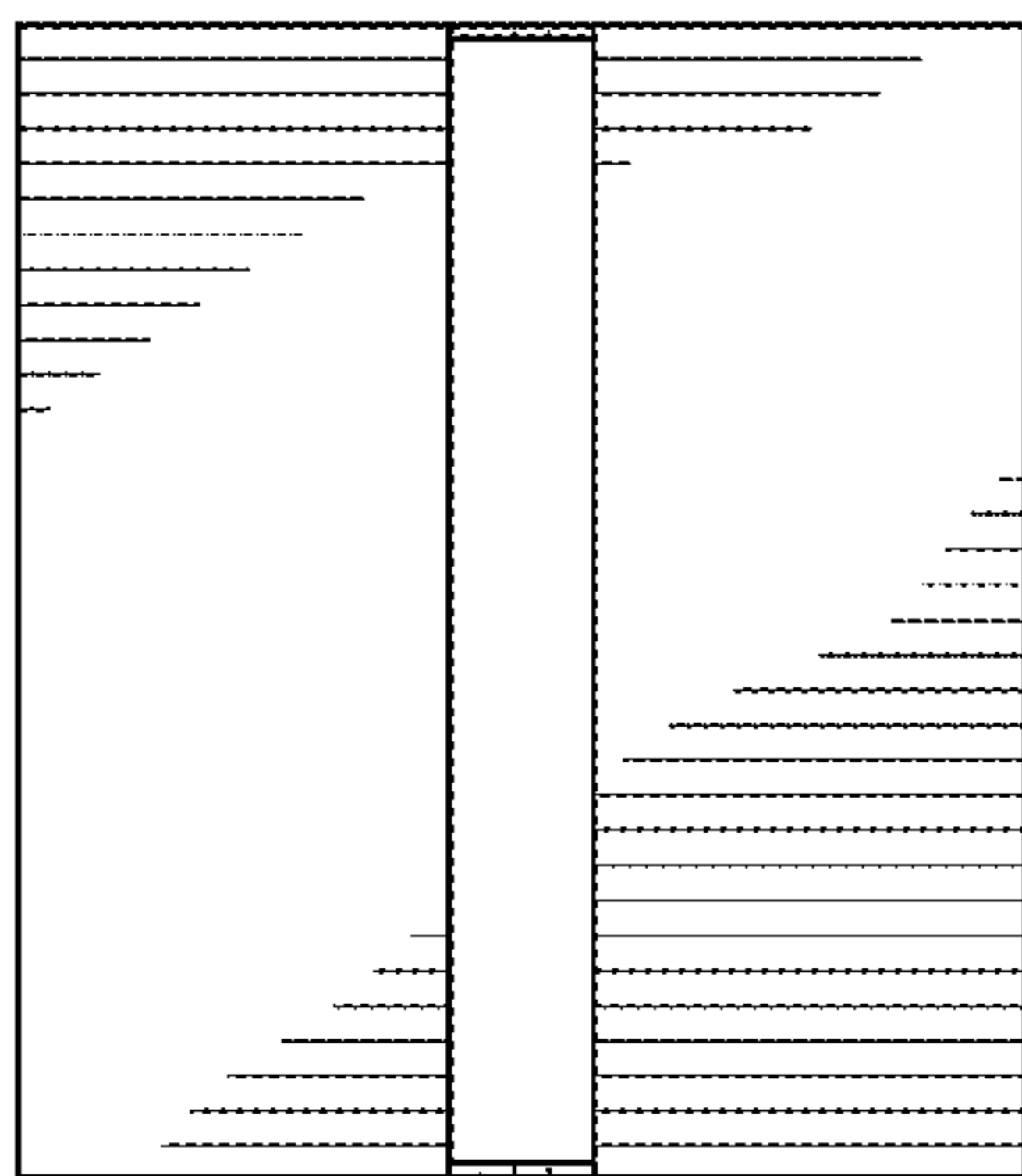


FIG. 3

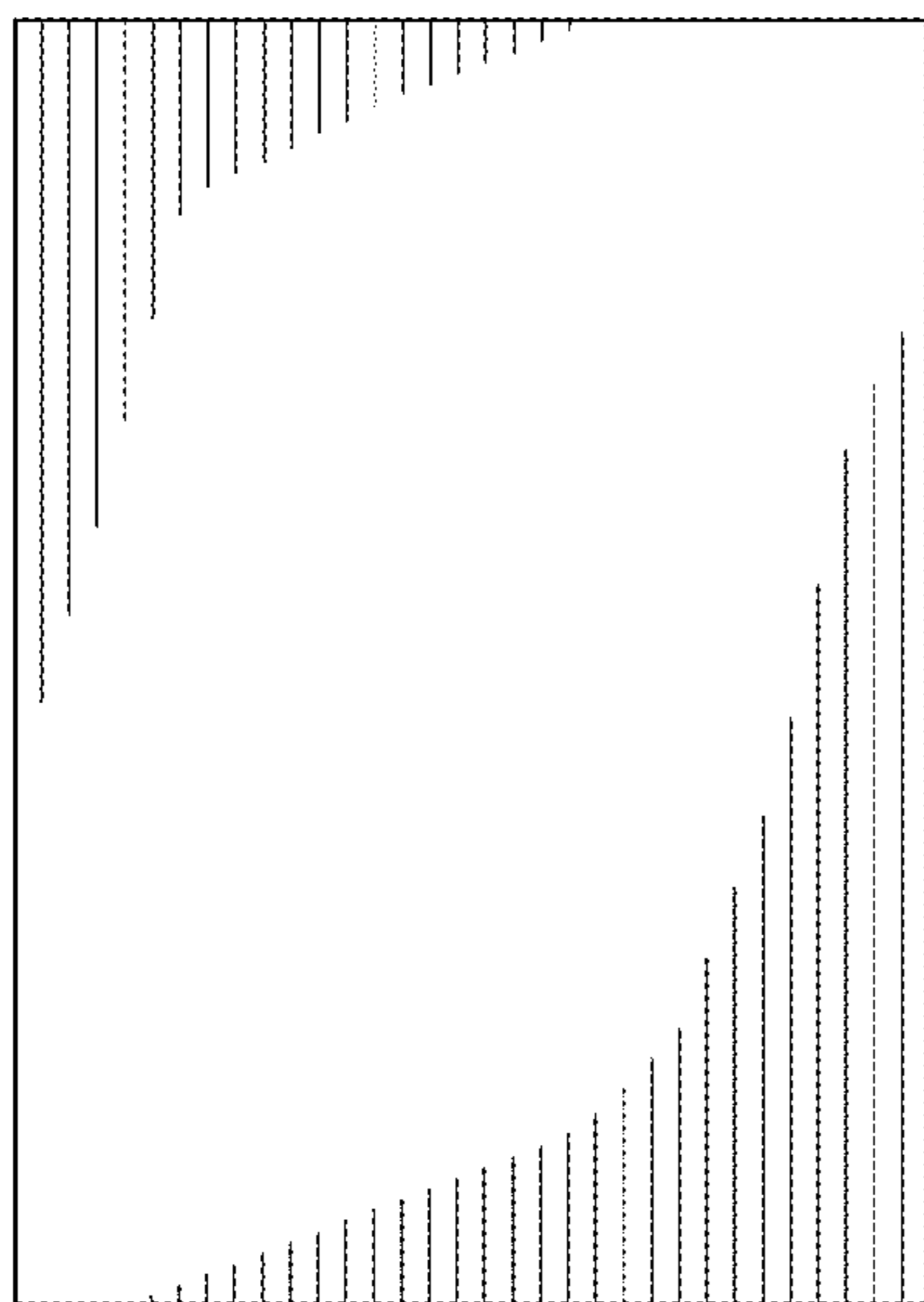


FIG. 4

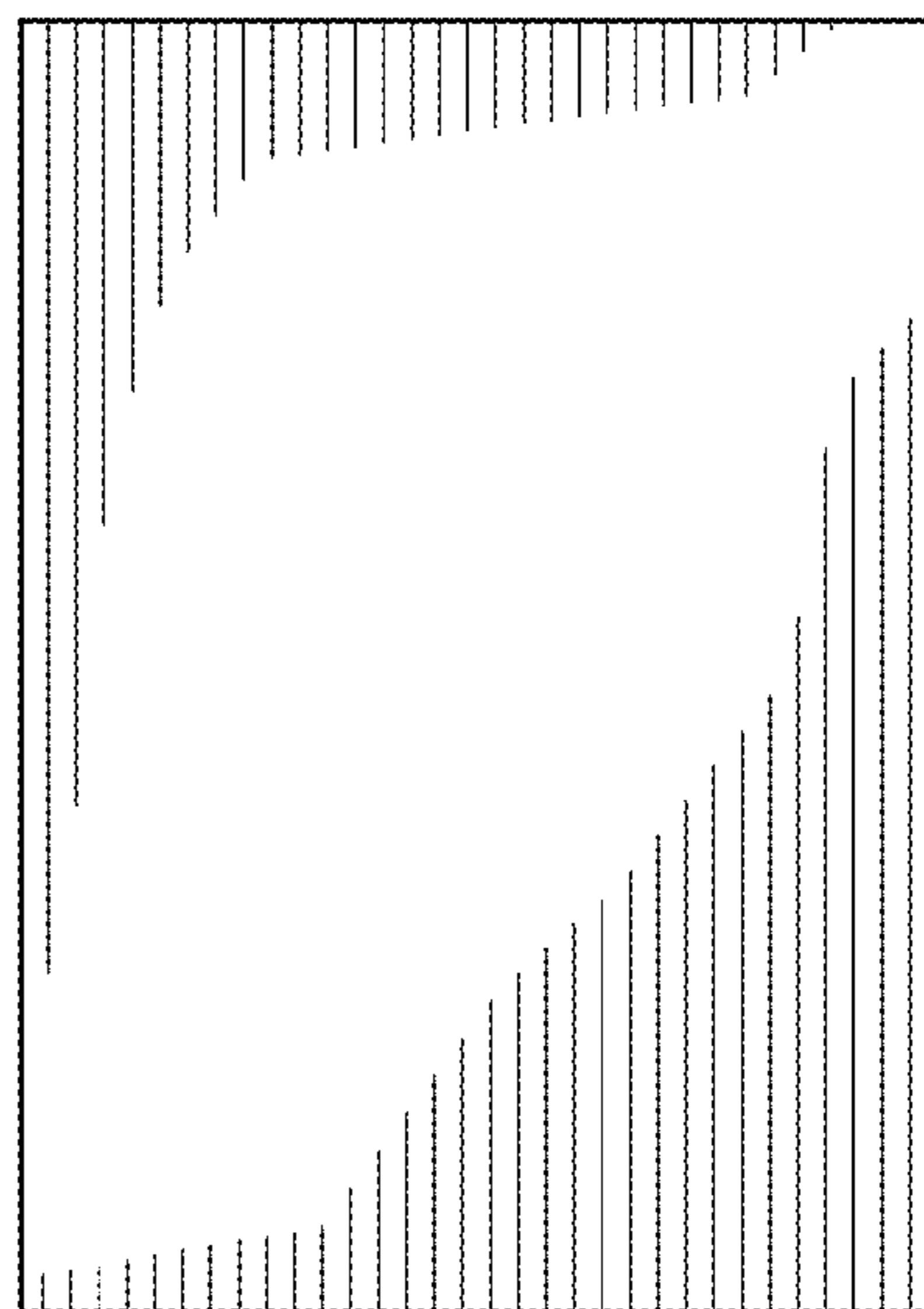


FIG. 5

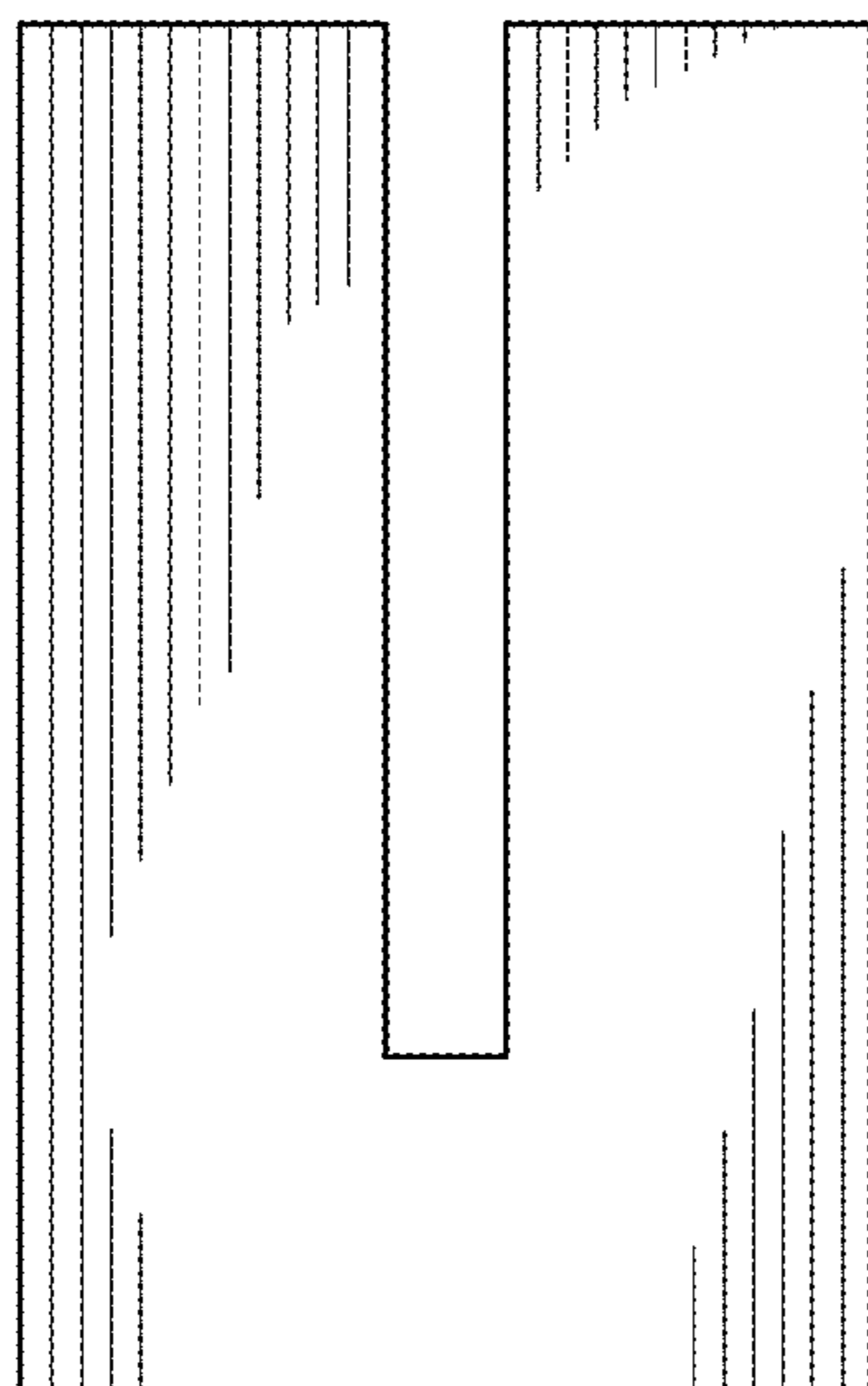


FIG. 6

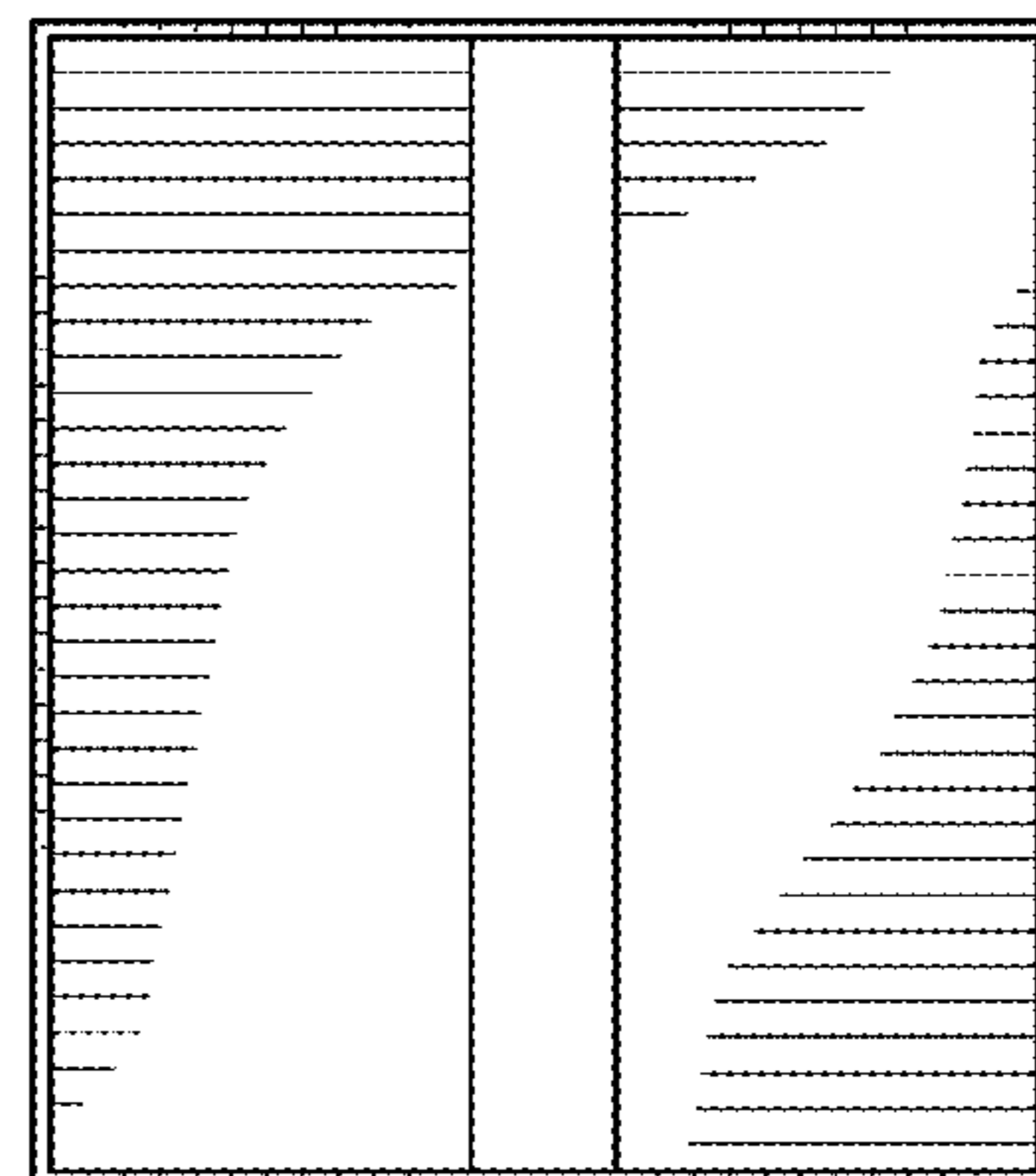


FIG. 7

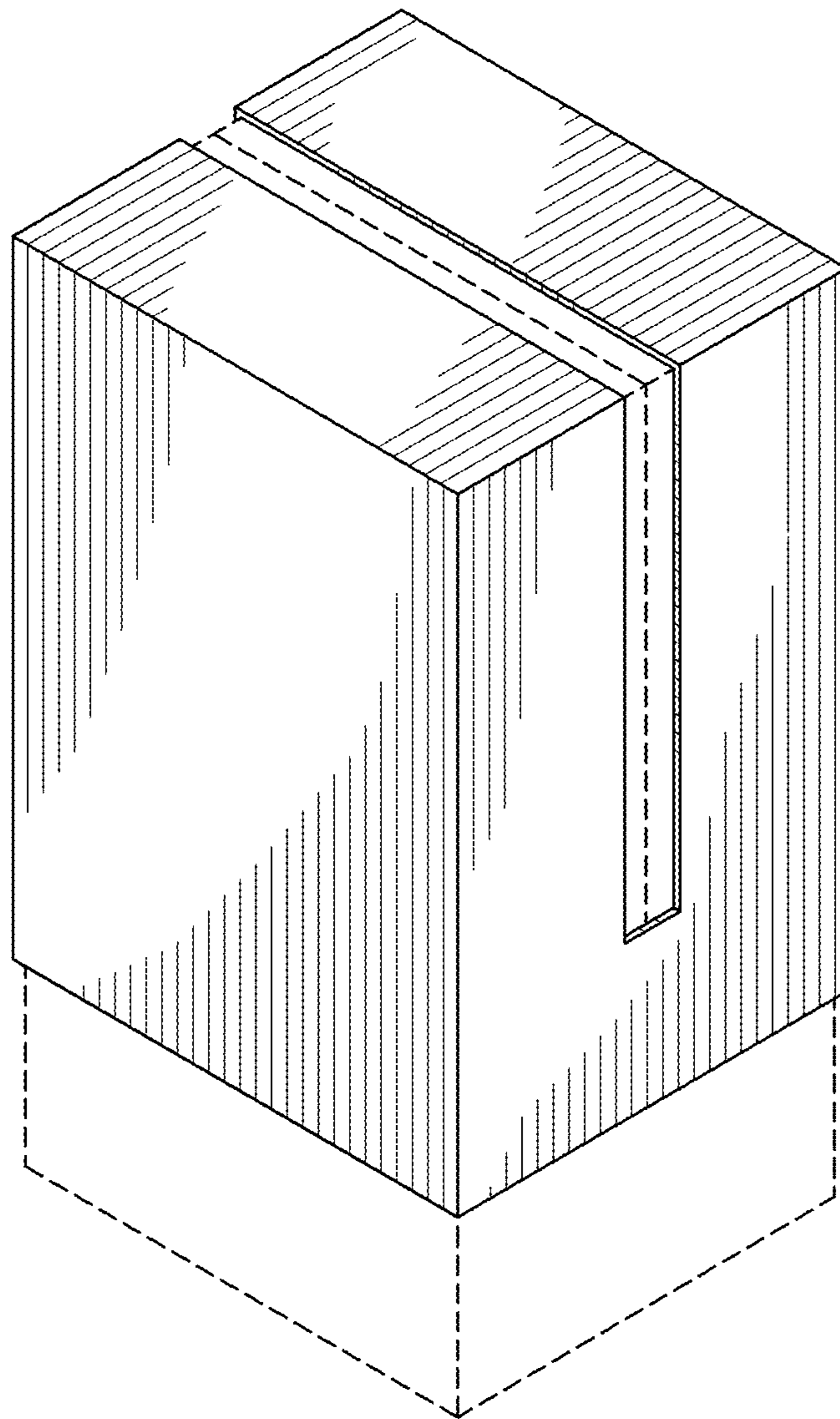


FIG. 8

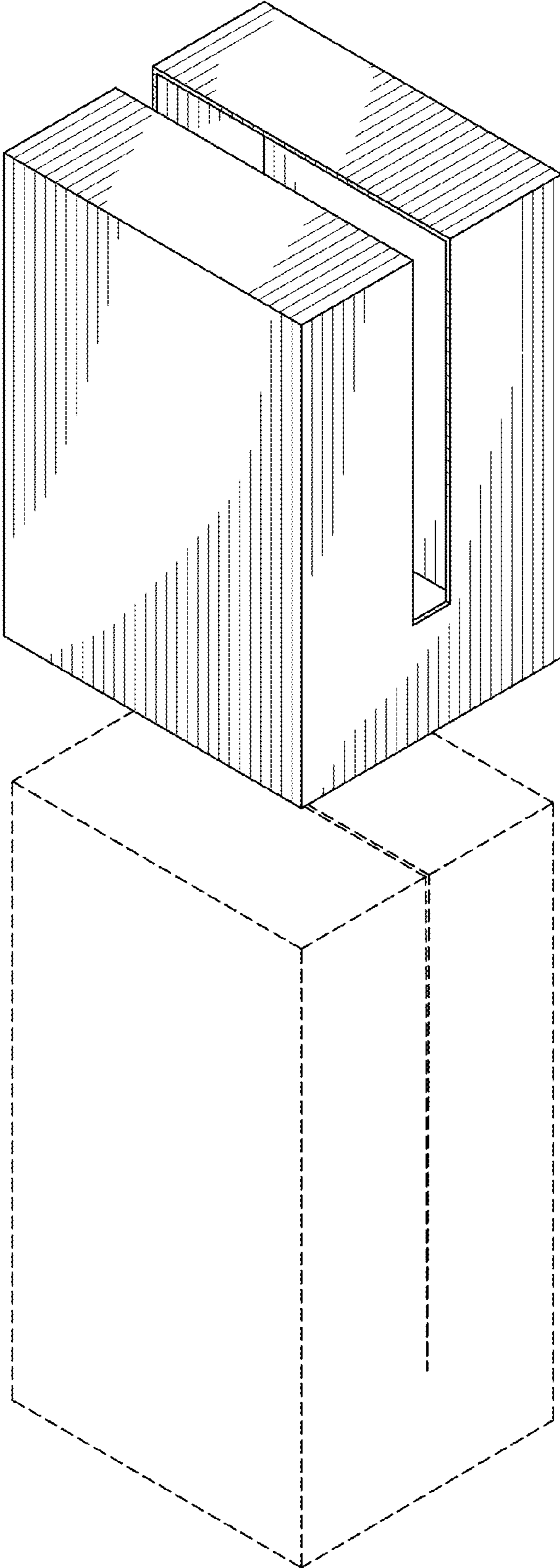


FIG. 9