



US00D747580S

(12) **United States Design Patent**
Yun et al.

(10) **Patent No.:** **US D747,580 S**
(45) **Date of Patent:** **** Jan. 12, 2016**

(54) **VACUUM CLEANER**

(71) Applicant: **Samsung Electronics Co., Ltd.**,
Suwon-si (KR)

(72) Inventors: **Deoksang Yun**, Ansan-si (KR);
YeonYoung Nam, Goyang-si (KR)

(73) Assignee: **Samsung Electronics Co., Ltd.**,
Suwon-si (KR)

(**) Term: **14 Years**

(21) Appl. No.: **29/523,514**

(22) Filed: **Apr. 10, 2015**

Related U.S. Application Data

(63) Continuation of application No. 29/483,019, filed on
Feb. 25, 2014, now Pat. No. Des. 730,001.

(30) **Foreign Application Priority Data**

Sep. 2, 2013 (KR) 30-2013-0045141

(51) **LOC (10) Cl.** **15-05**

(52) **U.S. Cl.**
USPC **D32/32**

(58) **Field of Classification Search**
USPC D32/31-33, 22
CPC A47L 5/28; A47L 5/24; A47L 5/34;
A47L 11/34; A47L 7/0038; A47L 11/24;
A47L 9/325; A47L 9/22; A47L 9/20; A47L
9/009; A47L 9/1666; A47L 9/1683; B01D
46/10; B01D 50/002
See application file for complete search history.

(56) **References Cited**

U.S. PATENT DOCUMENTS

D462,813 S 9/2002 Nakano et al.
D532,944 S 11/2006 Choi
D537,584 S 2/2007 Greene et al.

D567,459 S * 4/2008 Dyson et al. D32/32
D587,870 S 3/2009 Baek et al.
D588,760 S 3/2009 Chun et al.
D607,160 S 12/2009 Yu et al.
D610,317 S 2/2010 Lee et al.
D610,318 S 2/2010 Shin
D633,264 S 2/2011 Lee
D652,589 S 1/2012 Lee
D659,313 S 5/2012 Shin et al.
D666,368 S 8/2012 Ghim et al.
D671,697 S * 11/2012 Kim et al. D32/22
D675,798 S * 2/2013 Dyson et al. D32/31
D678,635 S * 3/2013 Gammack et al. D32/32
D680,699 S * 4/2013 Okabe et al. D32/33
D684,326 S * 6/2013 Okabe et al. D32/22
D686,379 S * 7/2013 Kim et al. D32/32
8,713,752 B2 5/2014 Kang
D718,914 S * 12/2014 Ashbee et al. D32/32
D735,426 S * 7/2015 Yun et al. D32/22
2011/0219578 A1 9/2011 Liu et al.
2012/0131760 A1 5/2012 Louis et al.
2014/0082883 A1 3/2014 Tran
2015/0059122 A1* 3/2015 Kim et al. 15/354

* cited by examiner

Primary Examiner — Ruth McInroy

(74) *Attorney, Agent, or Firm* — NSIP Law

(57) **CLAIM**

The ornamental design for a vacuum cleaner, as shown and described.

DESCRIPTION

FIG. 1 is a front perspective view of a vacuum cleaner showing our new design;
FIG. 2 is a front view thereof;
FIG. 3 is a rear view thereof;
FIG. 4 is a left-side view thereof;
FIG. 5 is a right-side view thereof;
FIG. 6 is a top view thereof; and,
FIG. 7 is a bottom view thereof.
The broken lines in the figures show portions of the vacuum cleaner which form no part of the claimed design.

1 Claim, 7 Drawing Sheets

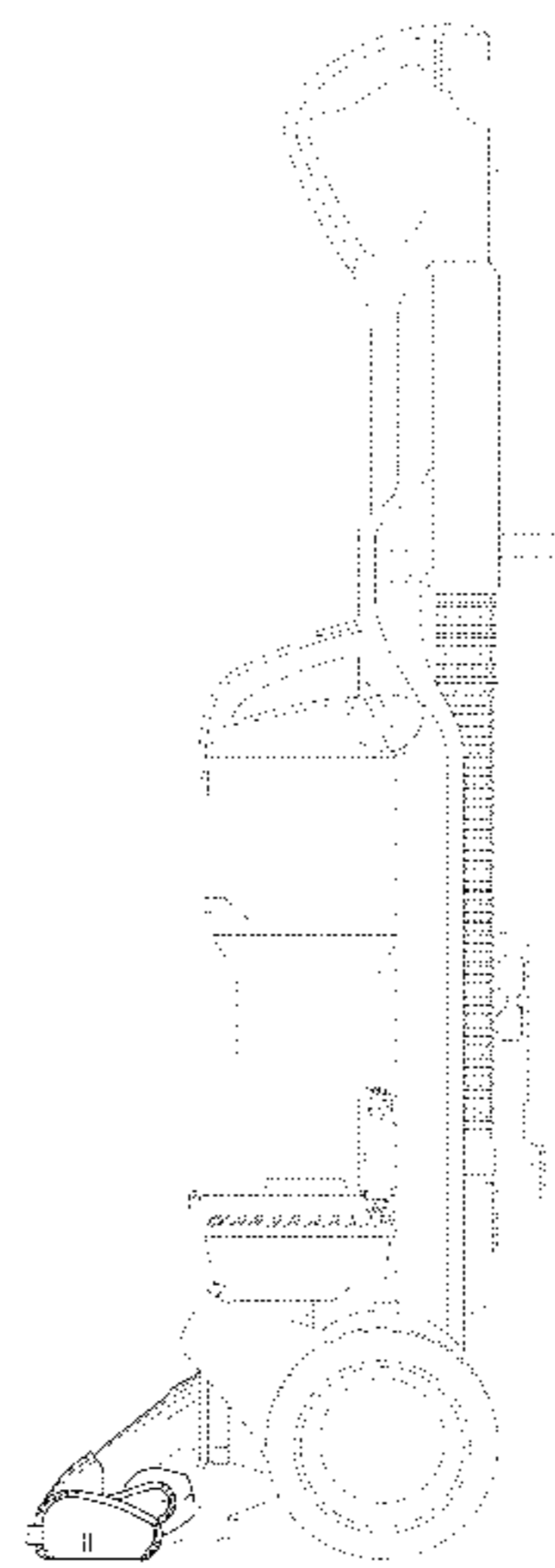
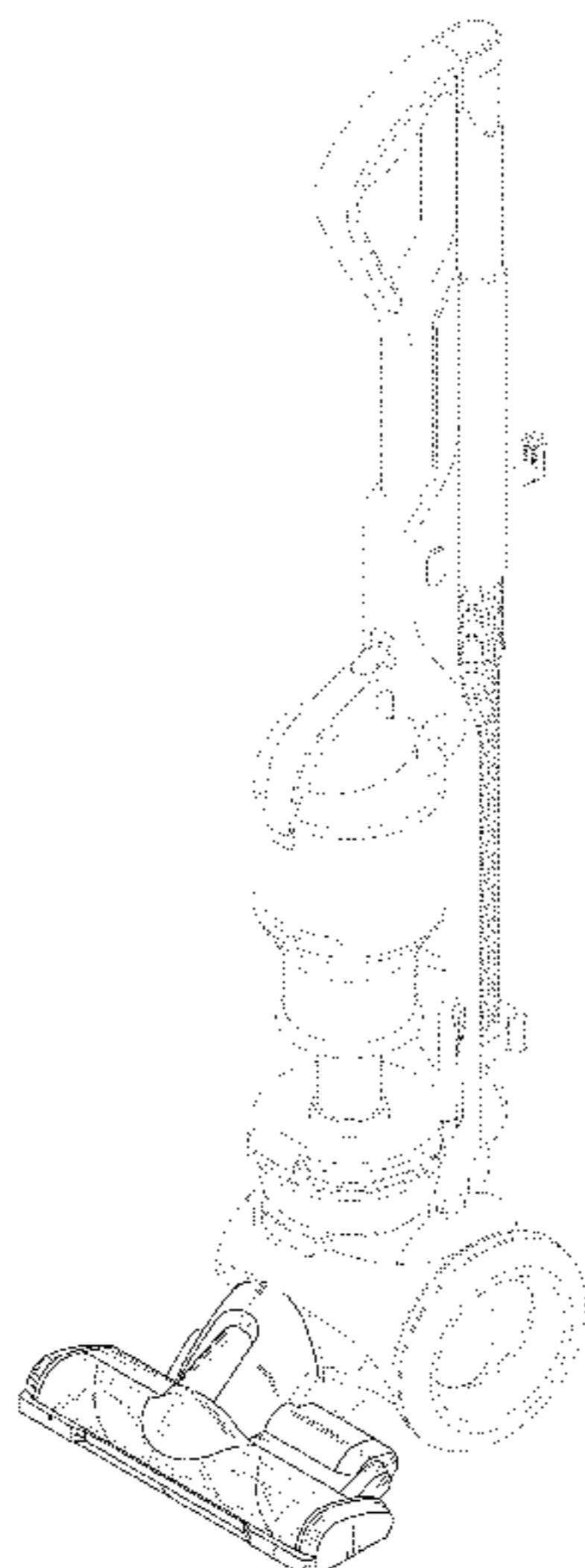


FIG. 1

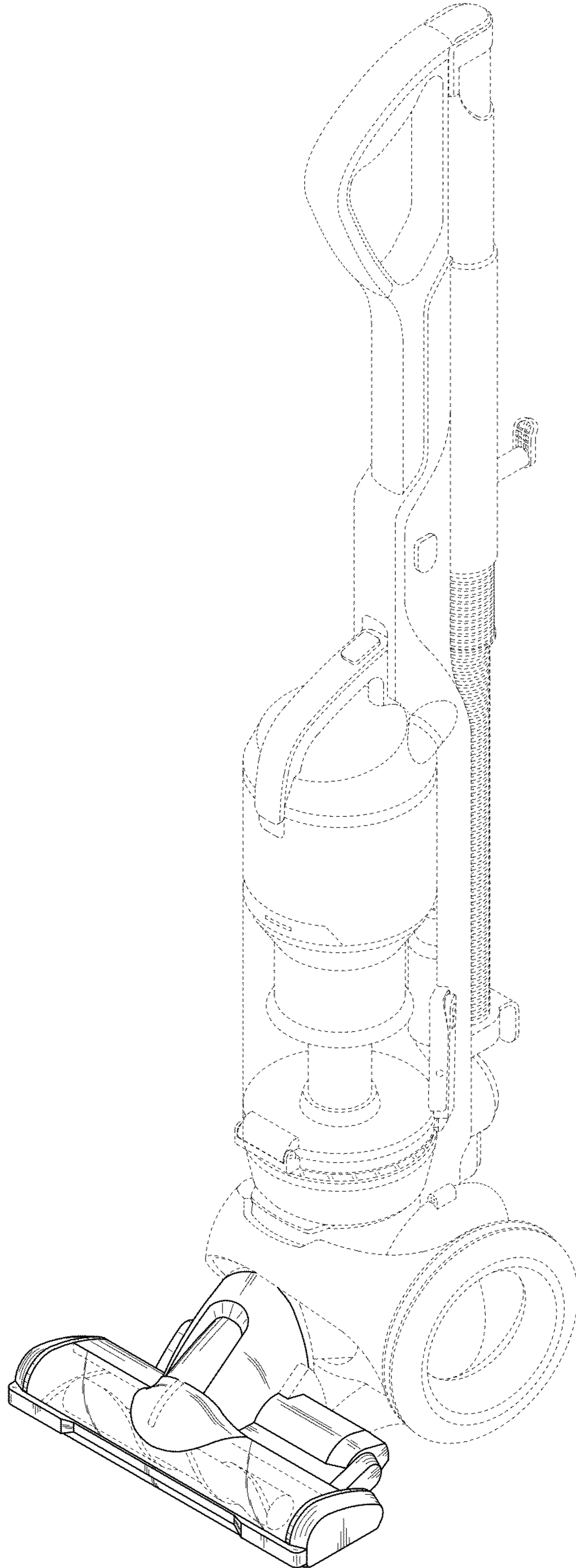


FIG. 2

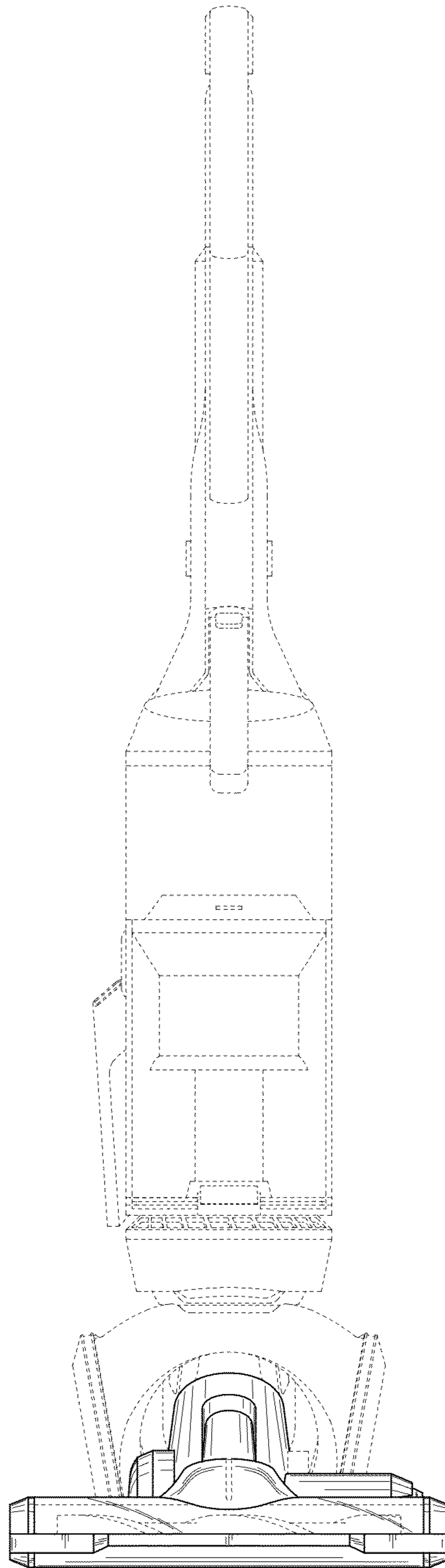


FIG. 3

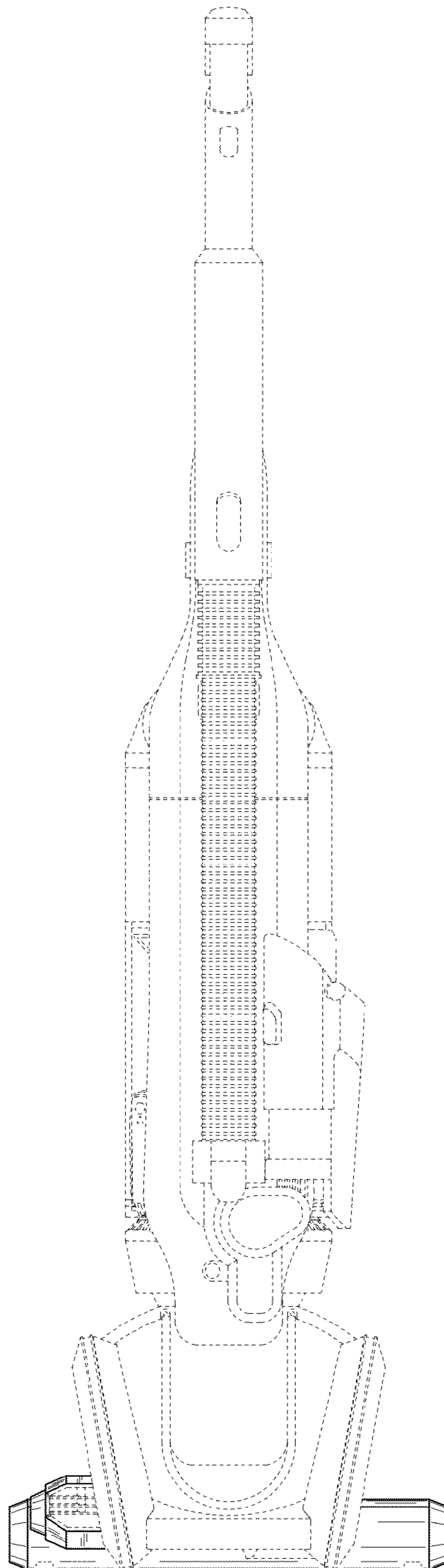


FIG. 4

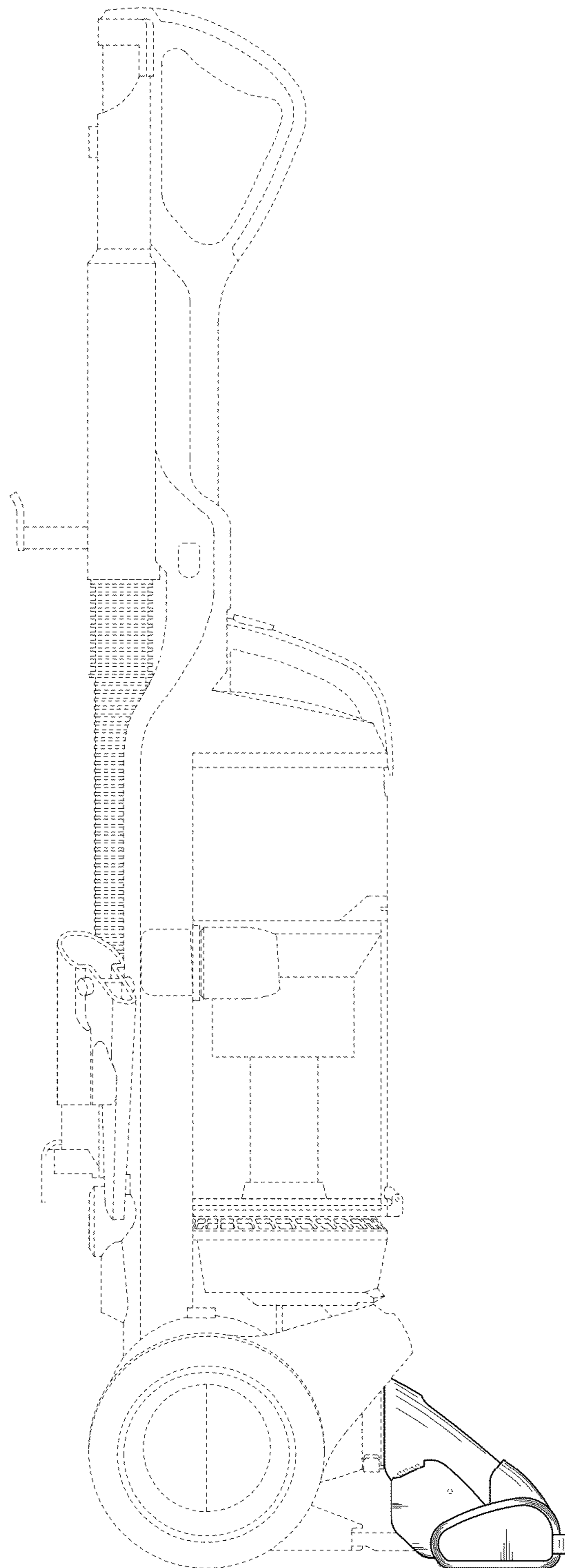


FIG. 5

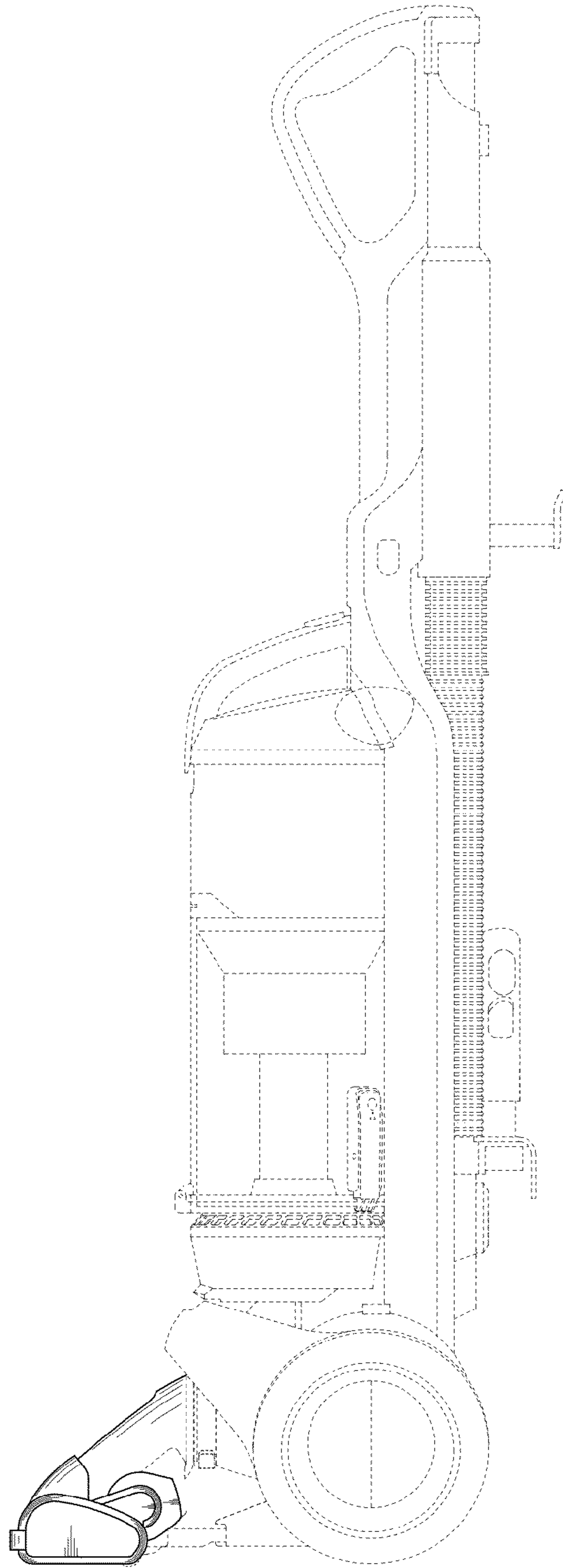


FIG. 6

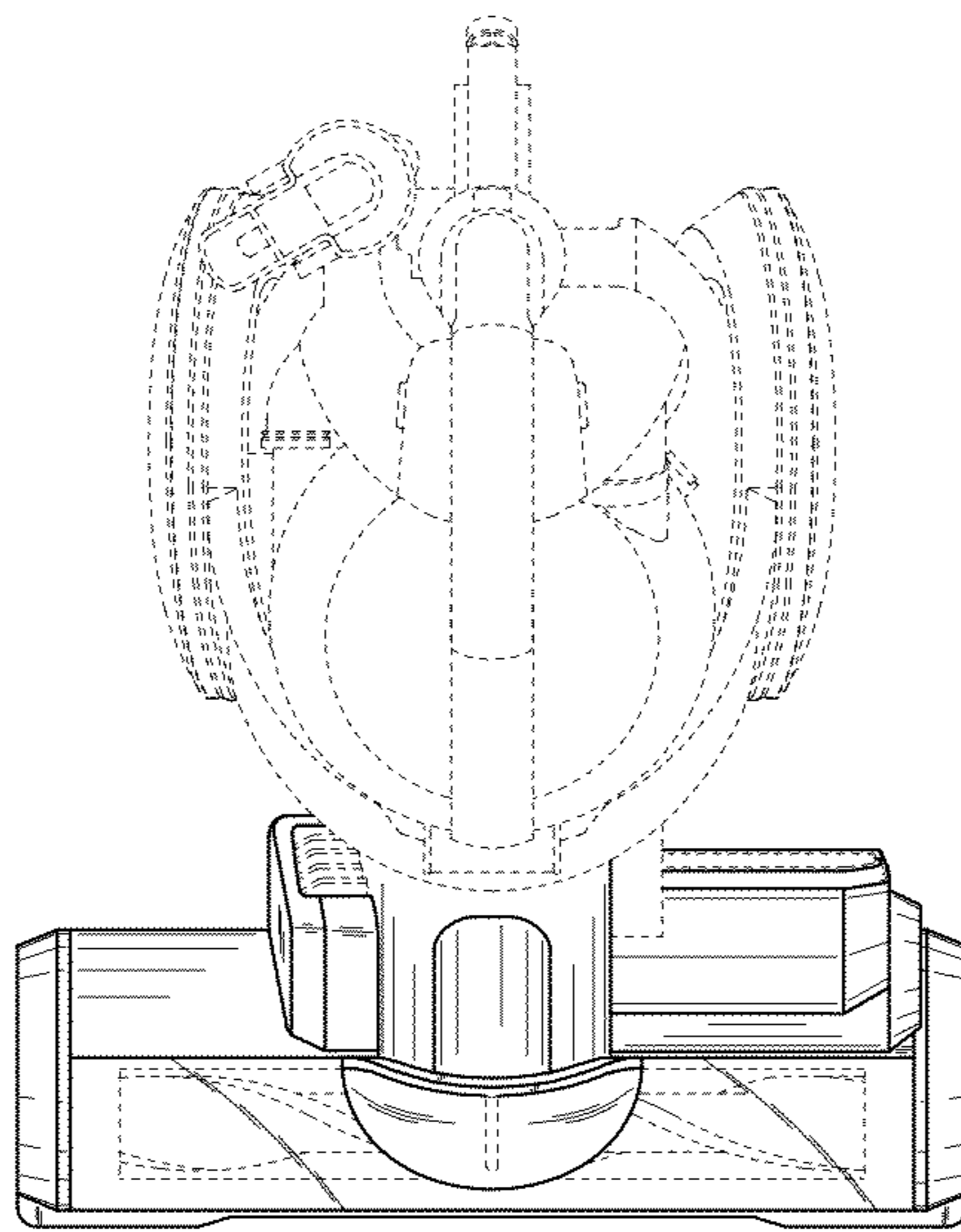


FIG. 7

