



US00D747579S

(12) **United States Design Patent**
Cole et al.

(10) **Patent No.:** **US D747,579 S**
(45) **Date of Patent:** **** Jan. 12, 2016**

(54) **TOOL FOR A VACUUM CLEANER**

(71) Applicant: **Dyson Technology Limited**, Wiltshire (GB)

(72) Inventors: **Samuel Steven Cole**, Swindon (GB); **Sean Ventress**, Bristol (GB); **Adam James Bates**, Oxford (GB); **Andrea Ee-Va Lim**, Bristol (GB); **Peter David Gammack**, Swindon (GB); **James Dyson**, Bristol (GB)

(73) Assignee: **Dyson Technology Limited**, Malmesbury, Wiltshire (GB)

(**) Term: **14 Years**

(21) Appl. No.: **29/498,876**

(22) Filed: **Aug. 8, 2014**

(30) **Foreign Application Priority Data**

Feb. 10, 2014 (EM) 002402016-0001

(51) **LOC (10) Cl.** **15-05**

(52) **U.S. Cl.**
USPC **D32/32**

(58) **Field of Classification Search**
USPC D32/31-33, 40, 50, 25
CPC A47L 11/4044; A47L 9/02; A47L 13/12;
A47L 13/20; A47L 1/08; A47K 7/02
See application file for complete search history.

(56) **References Cited**

U.S. PATENT DOCUMENTS

D147,125 S * 7/1947 Harvout D32/32
D158,774 S * 5/1950 Lippincott D32/32
D200,093 S * 1/1965 Frost D32/32

D206,055 S * 10/1966 Bearse D32/32
D273,146 S * 3/1984 Farr D32/31
D303,026 S * 8/1989 Kilakis D32/32
5,533,230 A * 7/1996 Rouda 15/339
D405,570 S * 2/1999 Broecking D32/32
D483,162 S * 12/2003 Lausevic D32/32
D509,332 S * 9/2005 White D32/32
D526,102 S * 8/2006 Adams D32/32
D658,832 S * 5/2012 Eden et al. D32/32
D666,373 S * 8/2012 Eden et al. D32/32
D714,005 S * 9/2014 McGurk D32/32
D733,376 S * 6/2015 Bennett et al. D32/33
2004/0020007 A1 * 2/2004 Lausevic 15/420
2010/0170060 A1 * 7/2010 Eccardt et al. 15/415.1
2012/0090639 A1 * 4/2012 Heldman et al. 134/21
2013/0326843 A1 * 12/2013 Schwartz 15/415.1

FOREIGN PATENT DOCUMENTS

FR 073787 11/2007

* cited by examiner

Primary Examiner — Ruth McInroy

(74) *Attorney, Agent, or Firm* — Morrison & Foerster, LLP

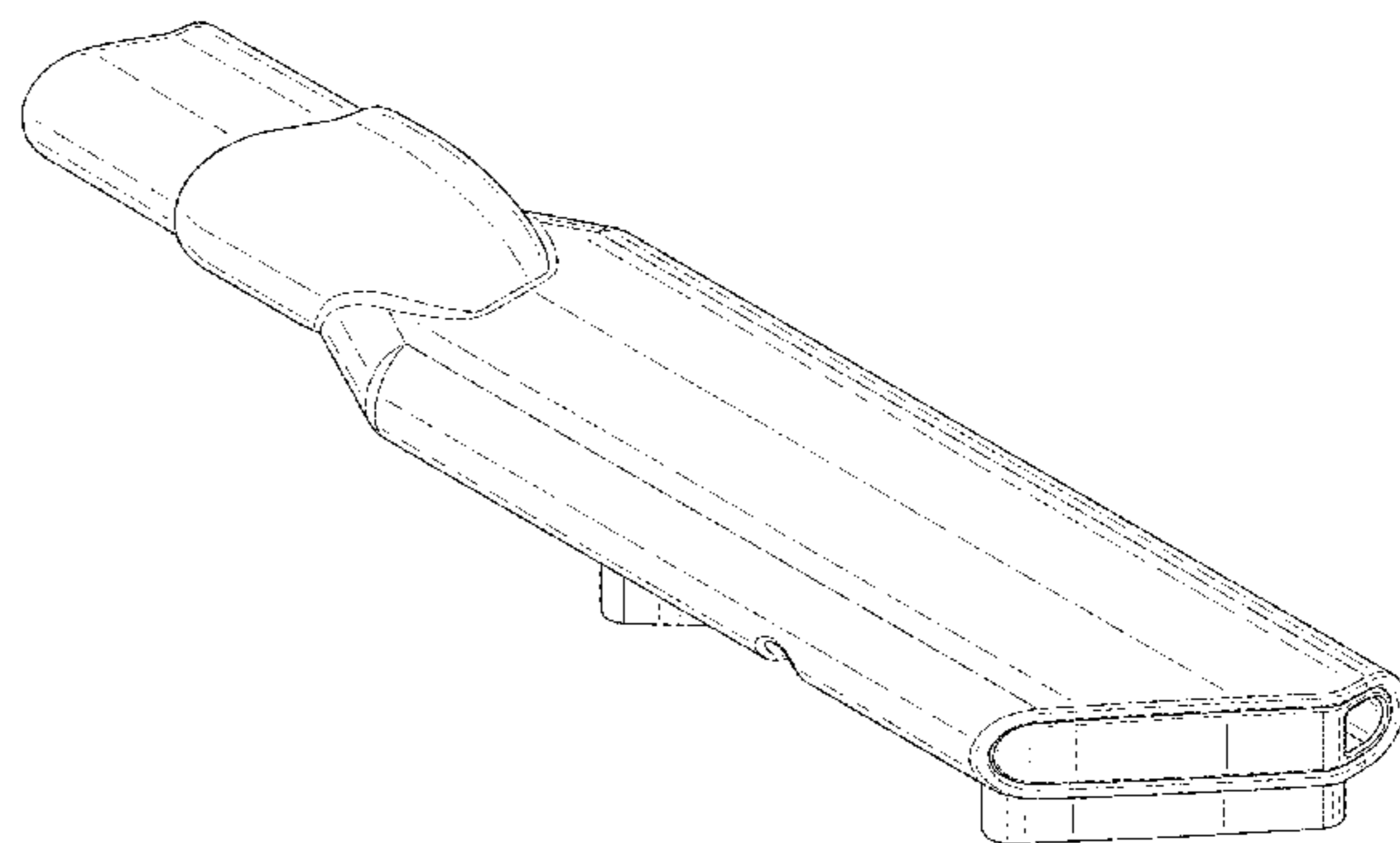
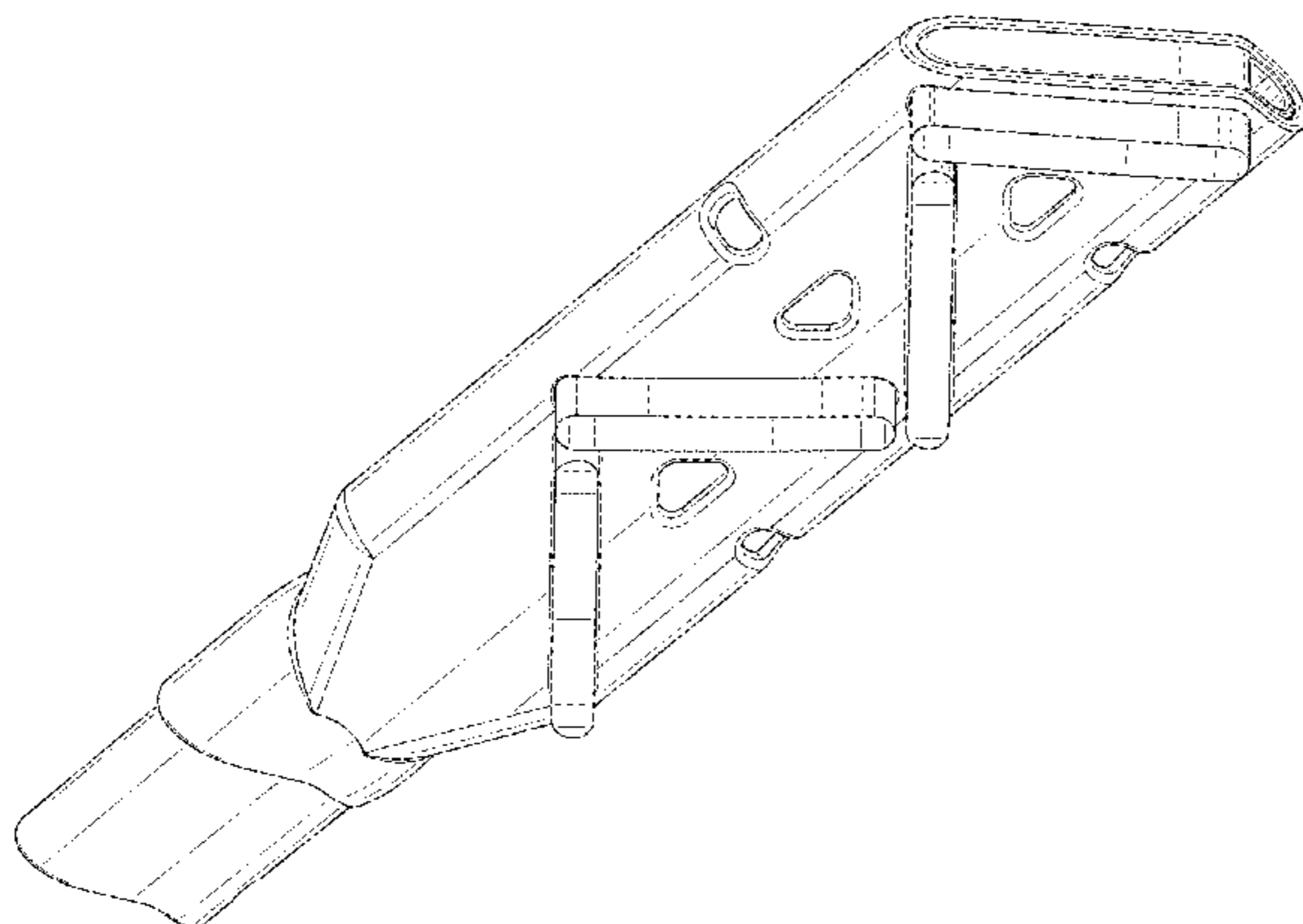
(57) **CLAIM**

We claim the ornamental design for a tool for a vacuum cleaner, as shown and described.

DESCRIPTION

FIG. 1 is a bottom perspective view of a tool for a vacuum cleaner showing our new design;
FIG. 2 is a top perspective view thereof;
FIG. 3 is a front view thereof;
FIG. 4 is a rear view thereof;
FIG. 5 is a side view thereof;
FIG. 6 is a side view of the opposite side of FIG. 5;
FIG. 7 is a top view thereof; and,
FIG. 8 is a bottom view thereof.

1 Claim, 7 Drawing Sheets



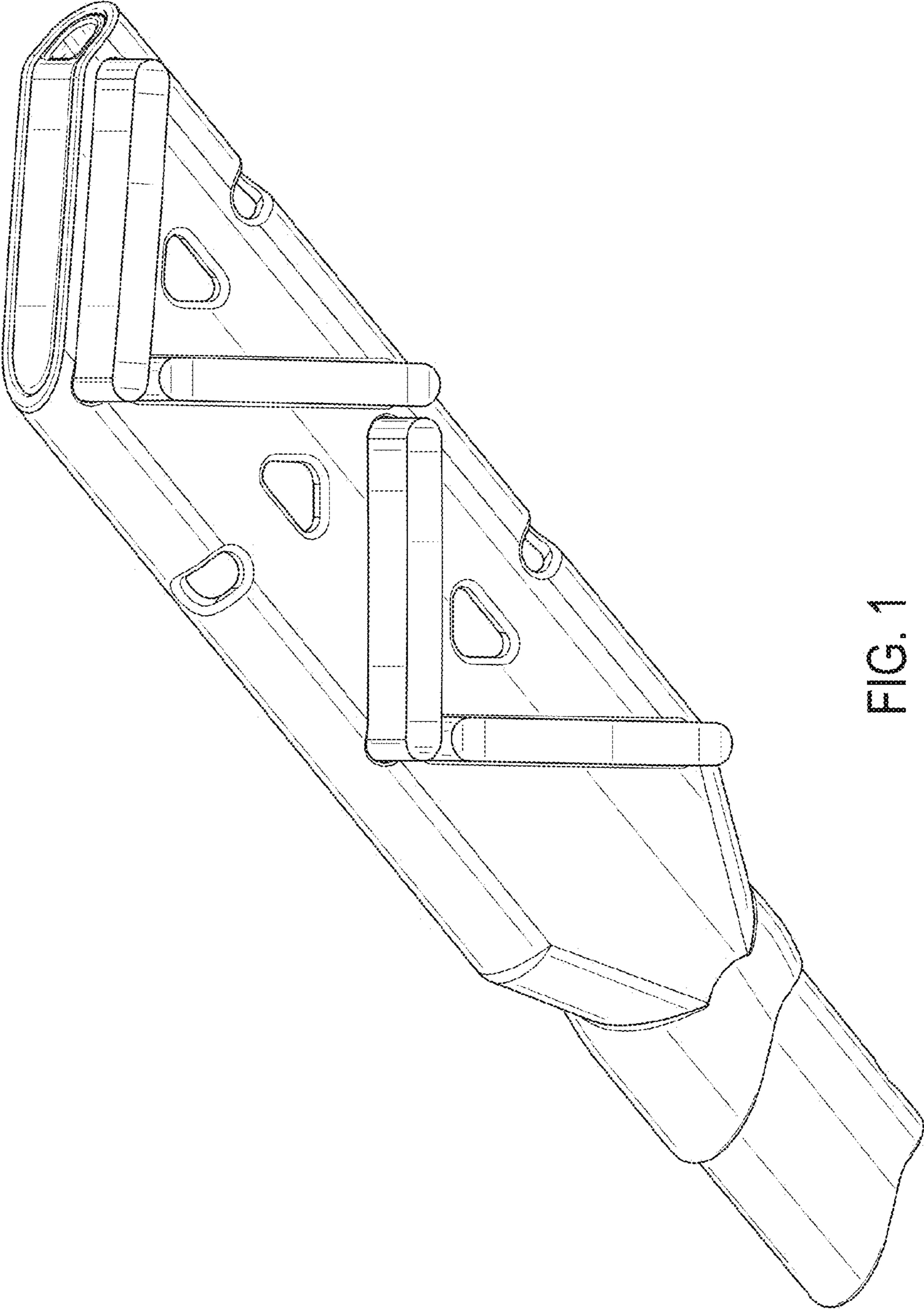


FIG. 1

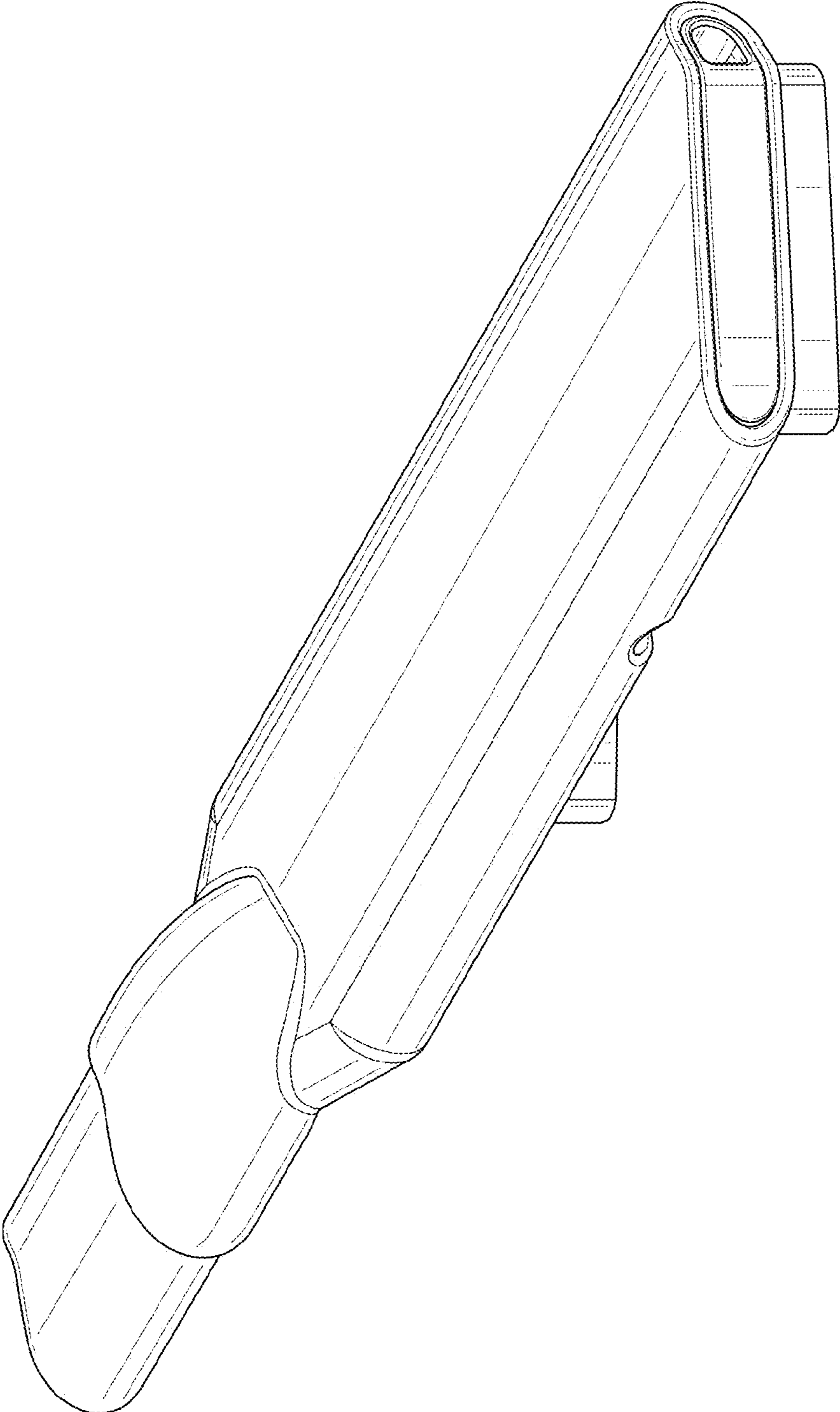


FIG. 2

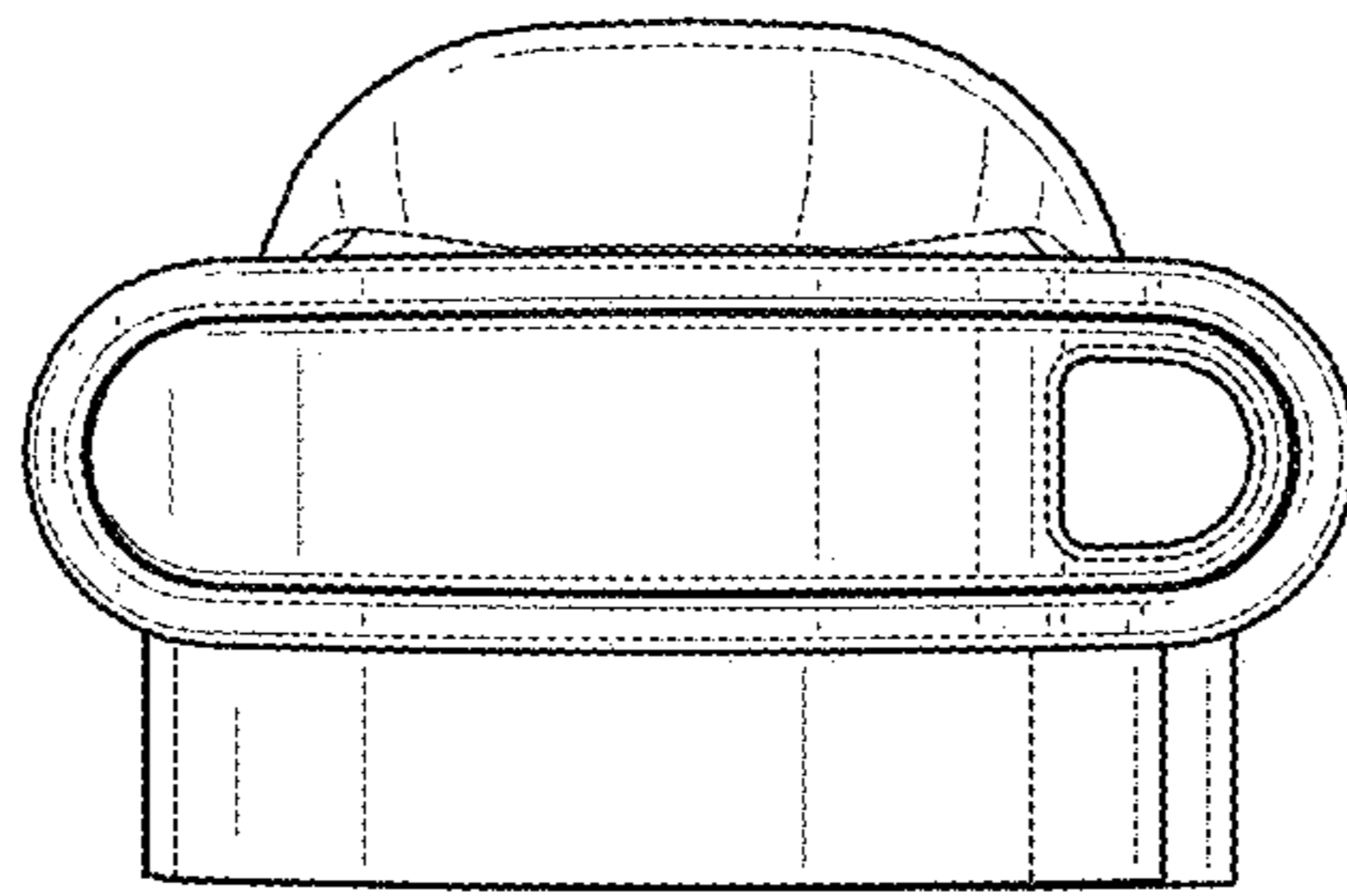


FIG. 3

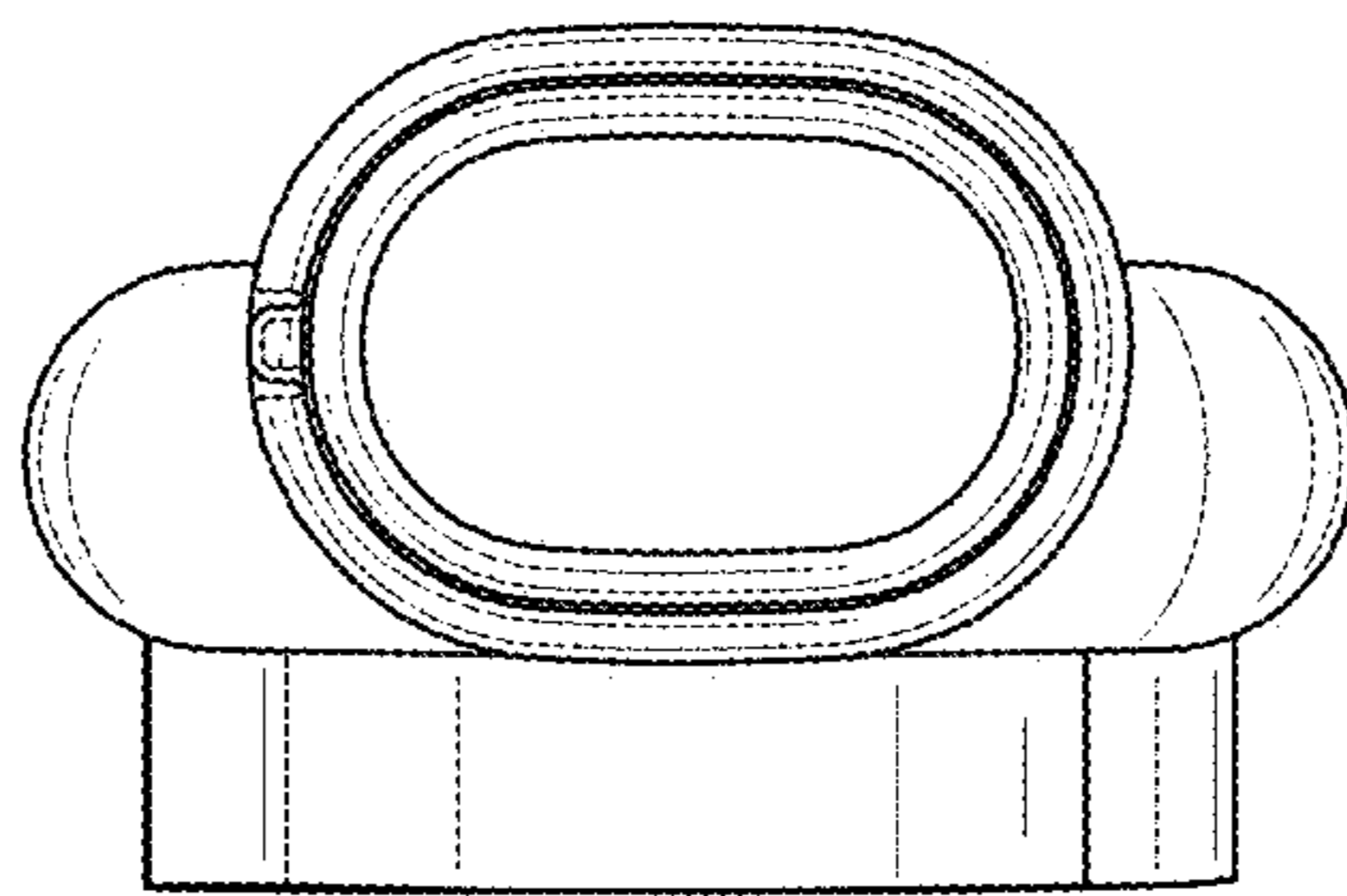


FIG. 4

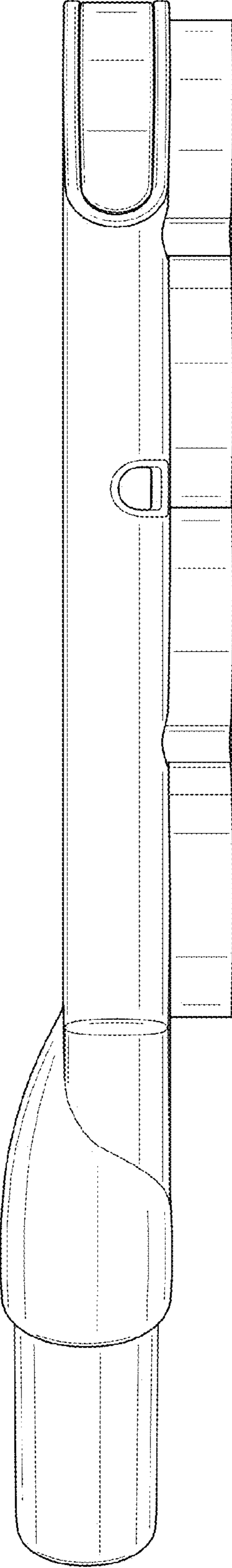


FIG. 5

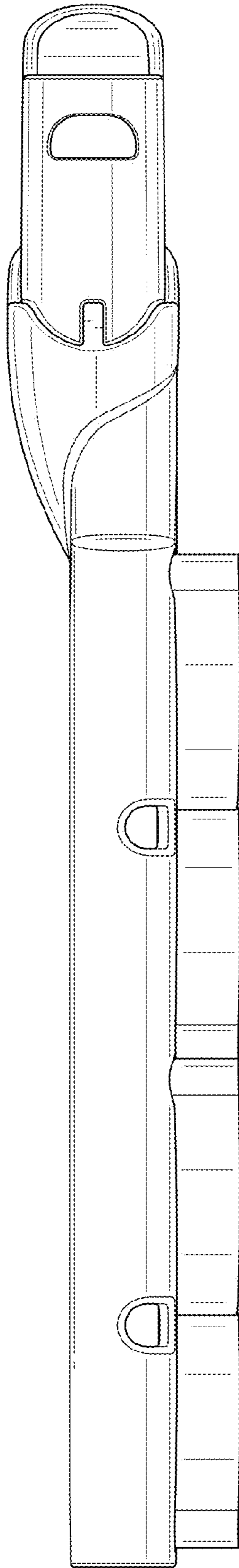


FIG. 6

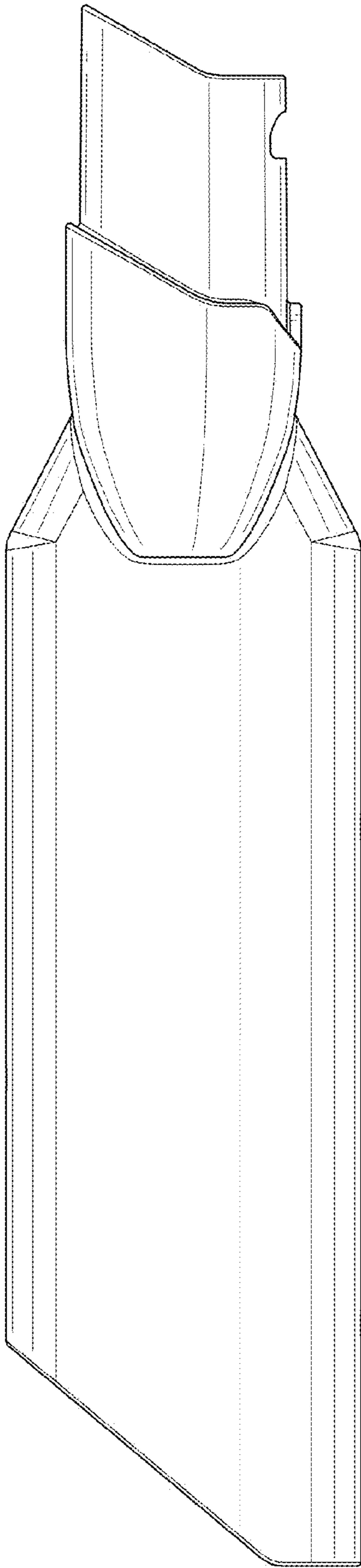


FIG. 7

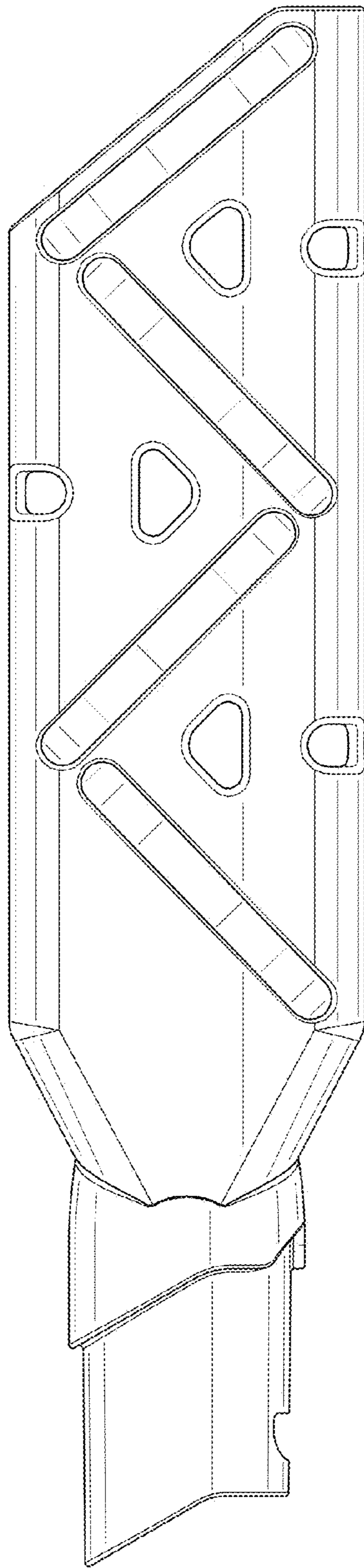


FIG. 8