



US00D747575S

(12) **United States Design Patent**
Choi et al.

(10) **Patent No.:** **US D747,575 S**
(45) **Date of Patent:** **** Jan. 12, 2016**

(54) **WASHING MACHINE**

5,922,993 A * 7/1999 Ide et al. 174/84 R
D482,165 S * 11/2003 Kay D32/1
D518,608 S * 4/2006 Kim et al. D32/6

(71) Applicant: **Samsung Electronics Co., Ltd.**,
Suwon-si, Gyeonggi-do (KR)

(Continued)

(72) Inventors: **Hyoung-Sub Choi**, Seoul (KR);
Jung-Hoon Hwang, Yongin-si (KR);
Ki-Sang Yoon, Daejeon (KR); **Jae-Won Choi**, Seoul (KR); **Tae-Hyoung Cho**, Seoul (KR)

FOREIGN PATENT DOCUMENTS

CN 300828009 * 9/2008
CN 300928601 * 5/2009

(Continued)

(73) Assignee: **SAMSUNG ELECTRONICS CO., LTD.** (KR)

OTHER PUBLICATIONS

LG front load washer WM4270HWA | LG USA, review date Nov. 16, 2014, online, <http://www.lg.com/us/washers/lg-WM4270HWA-front-load-washer>, [site visited Mar. 10, 2015 6:18:51 PM].*

(Continued)

(**) Term: **14 Years**

Primary Examiner — John Windmuller
Assistant Examiner — John R Yeh

(21) Appl. No.: **29/469,372**

(22) Filed: **Oct. 9, 2013**

(74) *Attorney, Agent, or Firm* — Cantor Colburn LLP

(30) **Foreign Application Priority Data**

Apr. 11, 2013 (KR) 30-2013-0018901

(51) **LOC (10) Cl.** **15-05**

(52) **U.S. Cl.**
USPC **D32/28**

(58) **Field of Classification Search**
USPC D32/28, 1, 5-6, 8; 68/3 R, 5 R, 12.01, 68/12.08; 34/87-88, 524, 534; 312/31
CPC D06F 39/12; D06C 7/00; A45D 20/44
See application file for complete search history.

(57) **CLAIM**

We claim, the ornamental design for a washing machine, as shown and described.

(56) **References Cited**

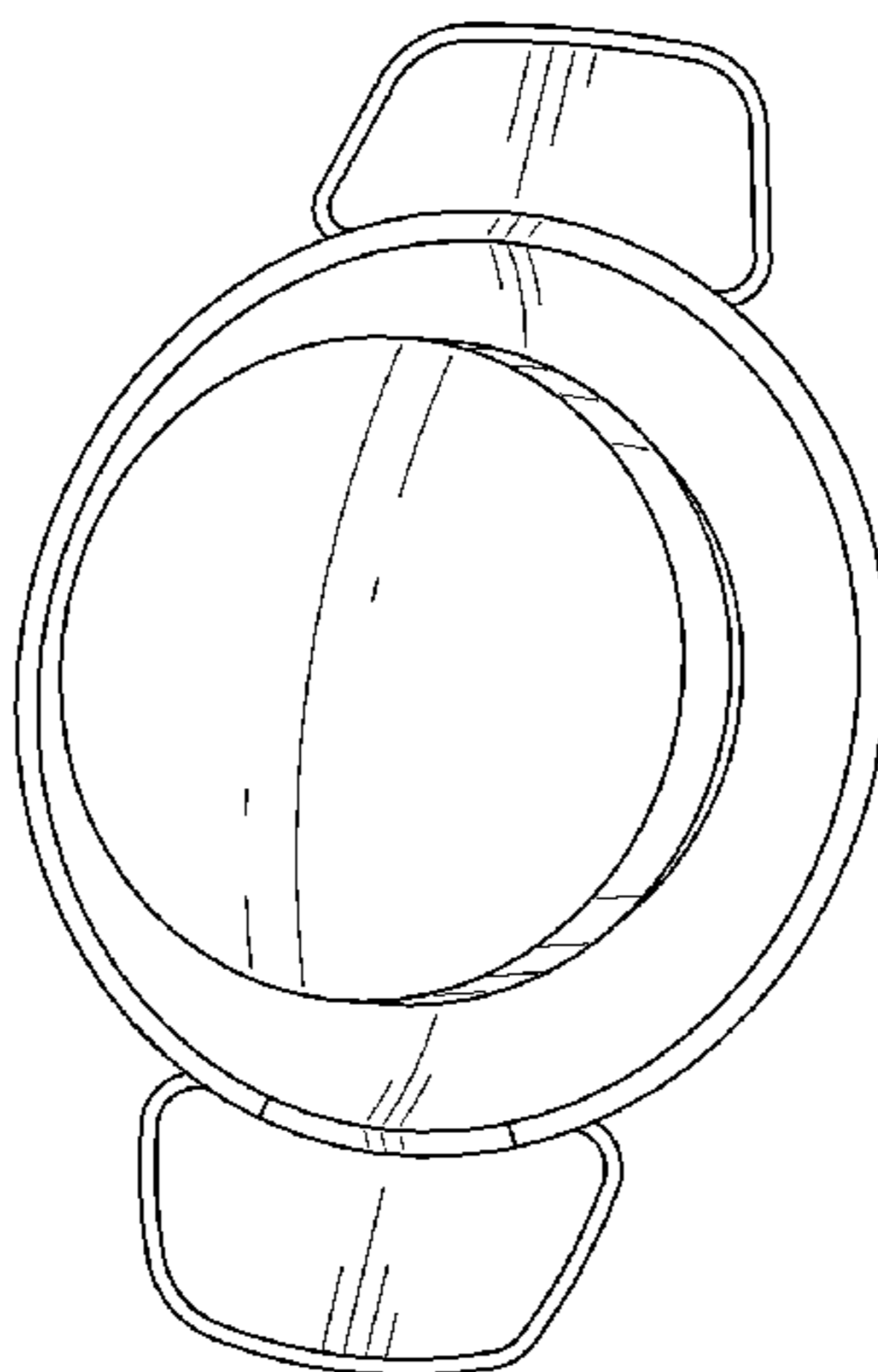
U.S. PATENT DOCUMENTS

1,604,857 A * 10/1926 Stein 116/257
2,470,582 A * 5/1949 Seasongood 116/309
D157,277 S * 2/1950 Morgan D32/28
D173,069 S * 9/1954 Hoyle et al. D32/28
2,786,983 A * 3/1957 Hill 336/83
D199,328 S * 10/1964 Kulusic D32/28
D314,646 S * 2/1991 Brookman D32/1

DESCRIPTION

FIG. 1 is a perspective view of a washing machine, showing our new design in an exemplary embodiment;
FIG. 2 is a front elevation view thereof;
FIG. 3 is a rear elevation view thereof;
FIG. 4 is a side elevation view thereof;
FIG. 5 is a another side elevation view thereof;
FIG. 6 is a top plan view thereof;
FIG. 7 is a bottom plan view thereof; and,
FIG. 8 is an enlarged perspective view thereof.
The broken lines illustrating portions of the washing machine are for environmental purposes only and form no part of the claimed design.

1 Claim, 8 Drawing Sheets



(56)

References Cited

U.S. PATENT DOCUMENTS

D520,194	S *	5/2006	Kwon et al.	D32/6
D540,499	S *	4/2007	Crookshanks	D32/28
D542,486	S *	5/2007	Crookshanks	D32/6
D542,987	S *	5/2007	Crookshanks	D32/6
D571,064	S *	6/2008	Eicher et al.	D32/28
D588,757	S *	3/2009	Park et al.	D32/6
D613,916	S *	4/2010	Montgomery	D32/6
D681,892	S *	5/2013	Meda et al.	D32/28
D693,974	S *	11/2013	Geyer et al.	D32/28
2002/0057064	A1 *	5/2002	Onodera	318/2
2004/0032395	A1 *	2/2004	Goldenberg et al.	345/156
2008/0023313	A1 *	1/2008	Sack et al.	200/400
2011/0240455	A1 *	10/2011	Kulczycki et al.	200/600

FOREIGN PATENT DOCUMENTS

CN	301598171	*	6/2011
WO	WO D077138-002	*	11/2011

OTHER PUBLICATIONS

Samsung washer manual pub date May 4, 2012, online, site visited Apr. 9, 2015, <http://downloadcenter.samsung.com/content/UM/201404/20140410111158009/WF350ANP-02833D-03.pdf>.*

The seasonal clothing unified clean large capacity washing machine recommended—PREMIER News Haier control knob, post date Oct. 12, 2012, online, <http://www.like-news.us/?i1728726-The-seasonal-clothing-unified-clean-large-capacity-washing-machine-recommended>, [site visited Apr. 9, 2015 7:15:51 PM].*

* cited by examiner

FIG. 1

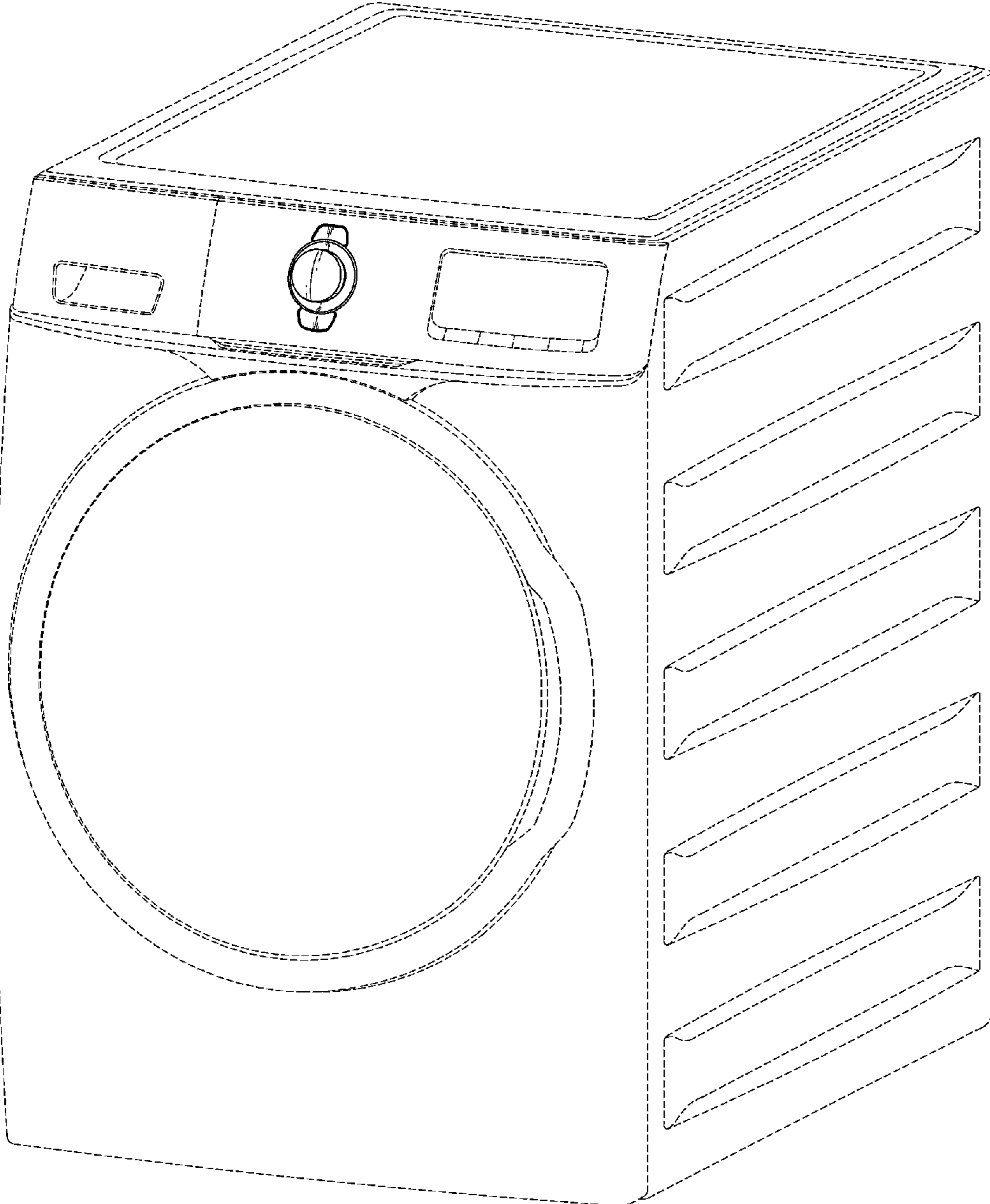


FIG. 2

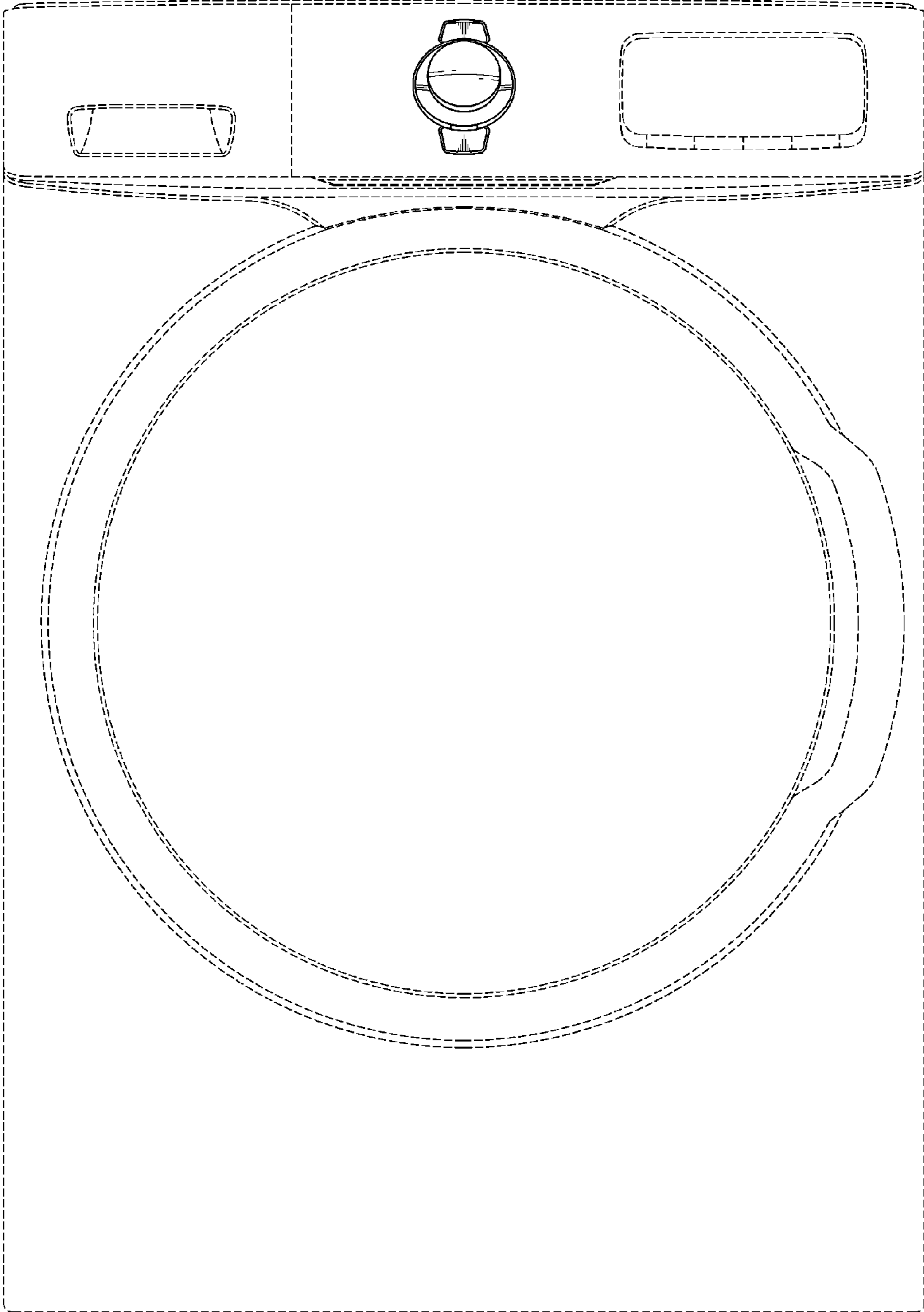


FIG. 3

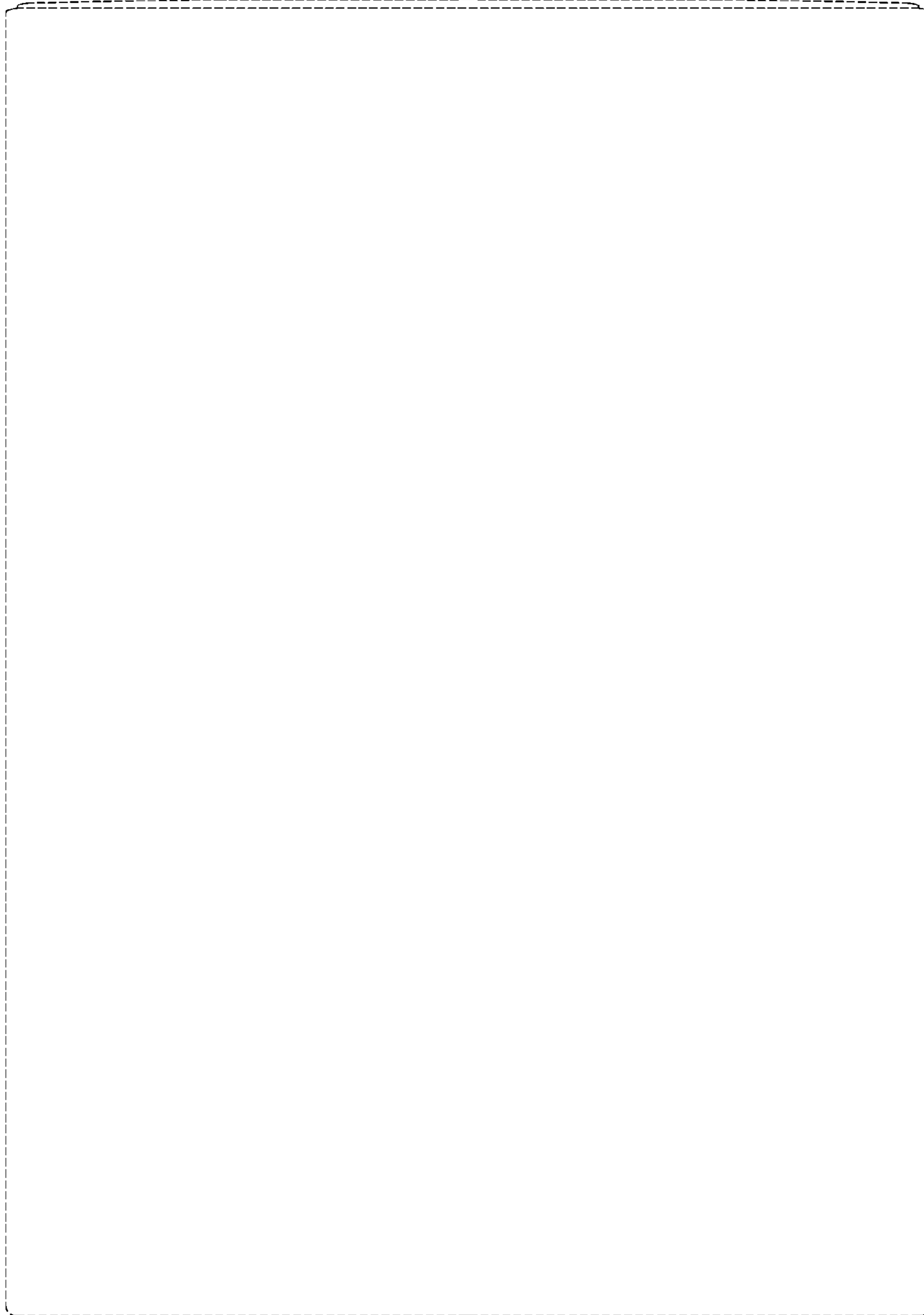


FIG. 4

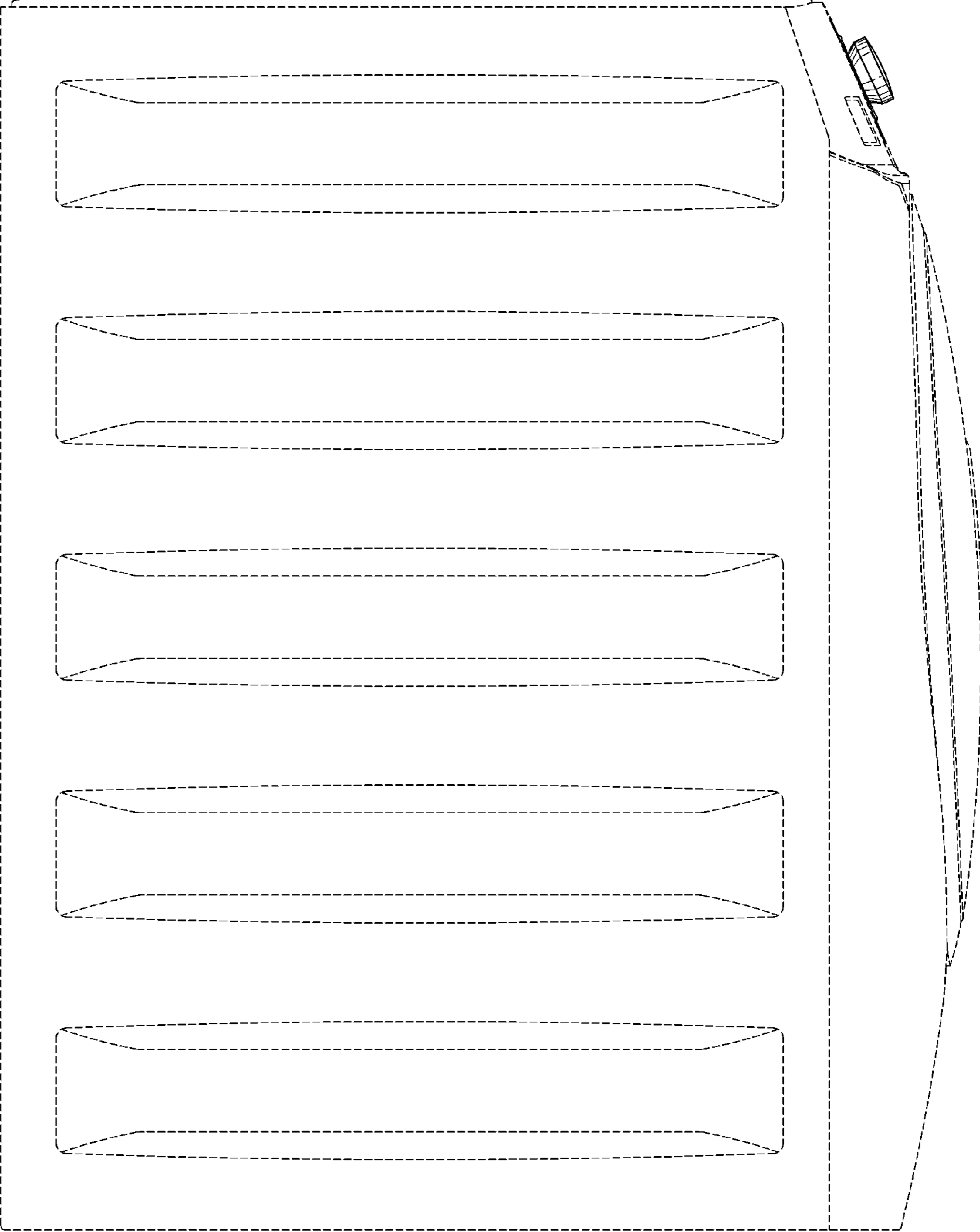


FIG. 5

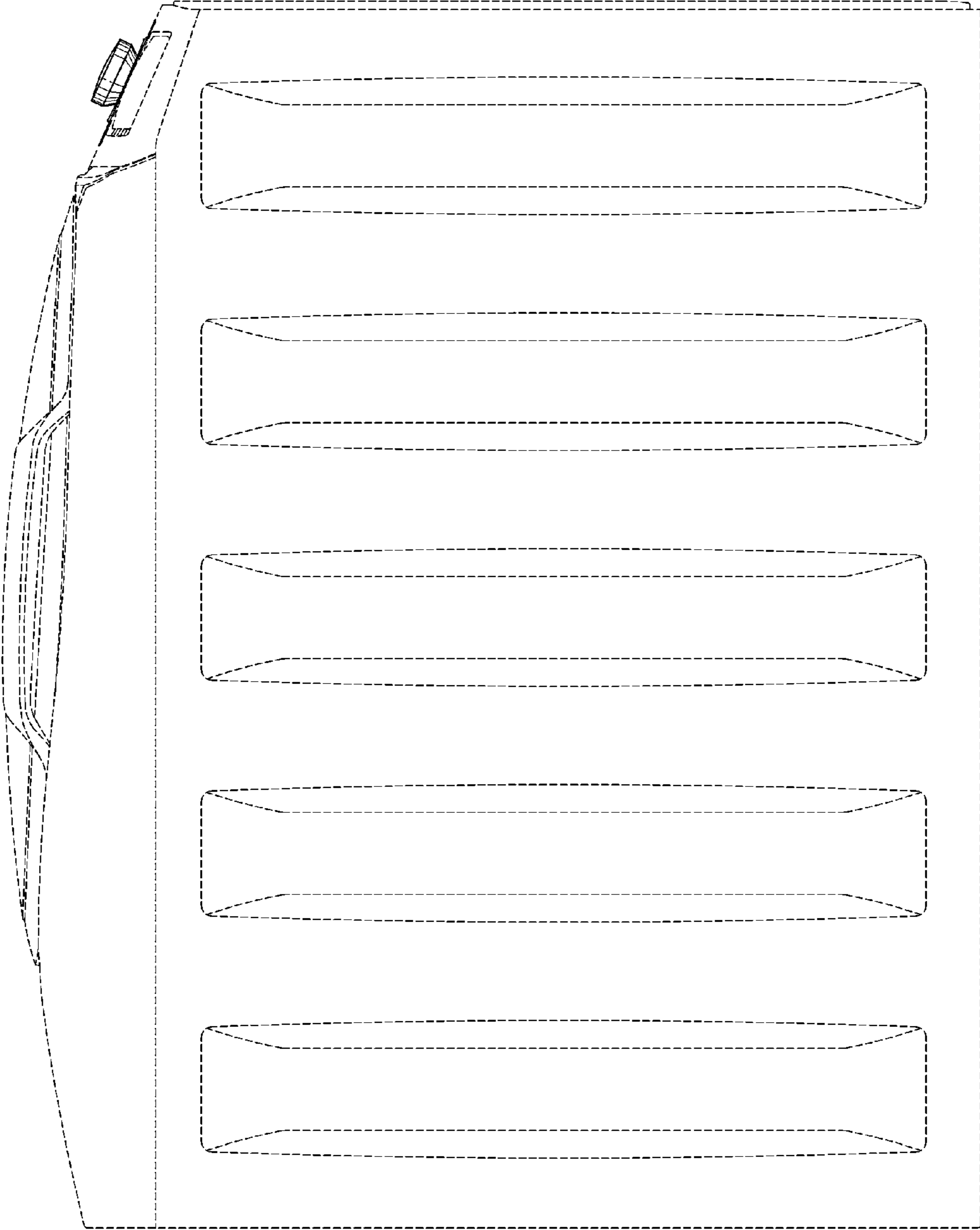


FIG. 6

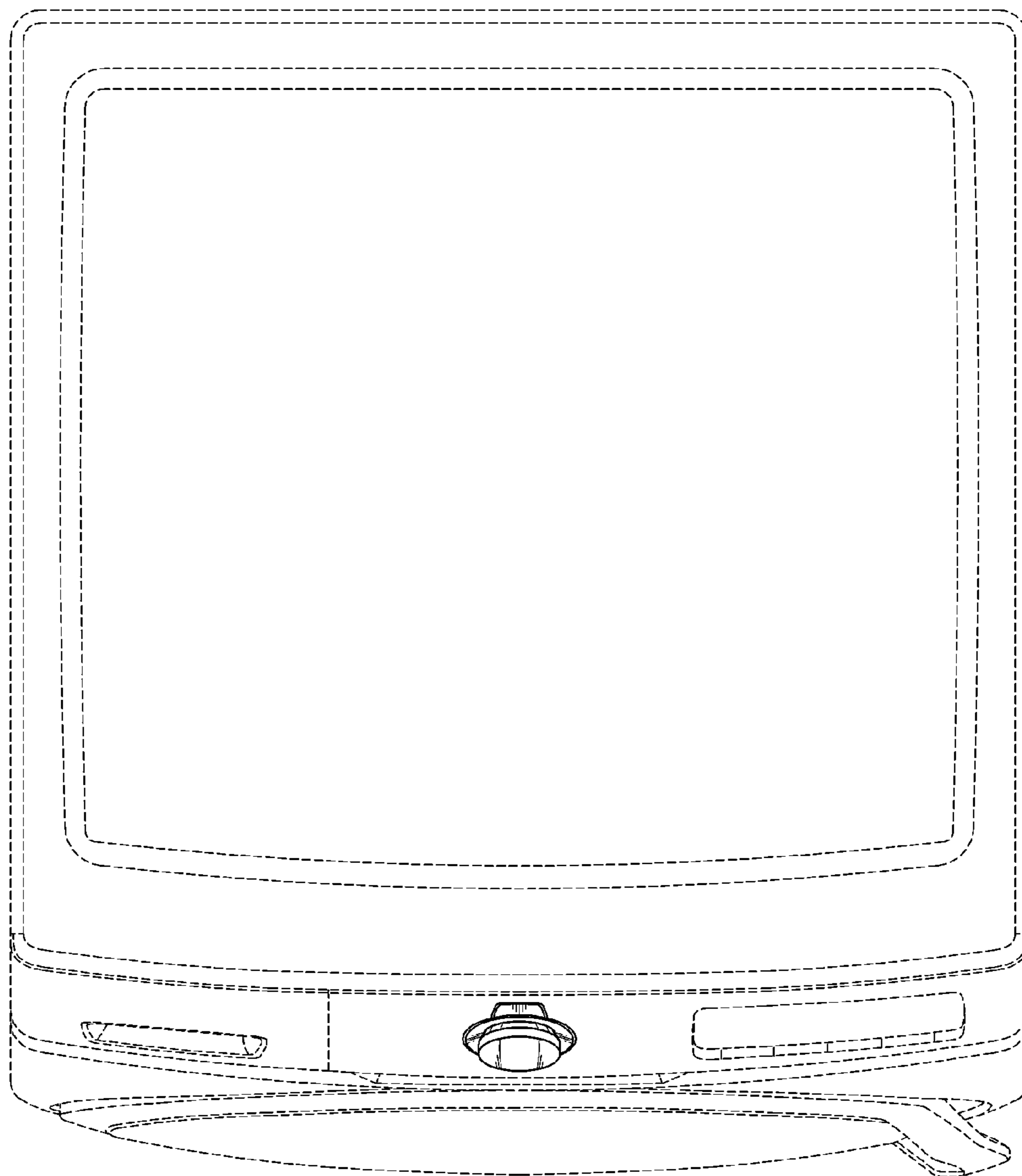


FIG. 7

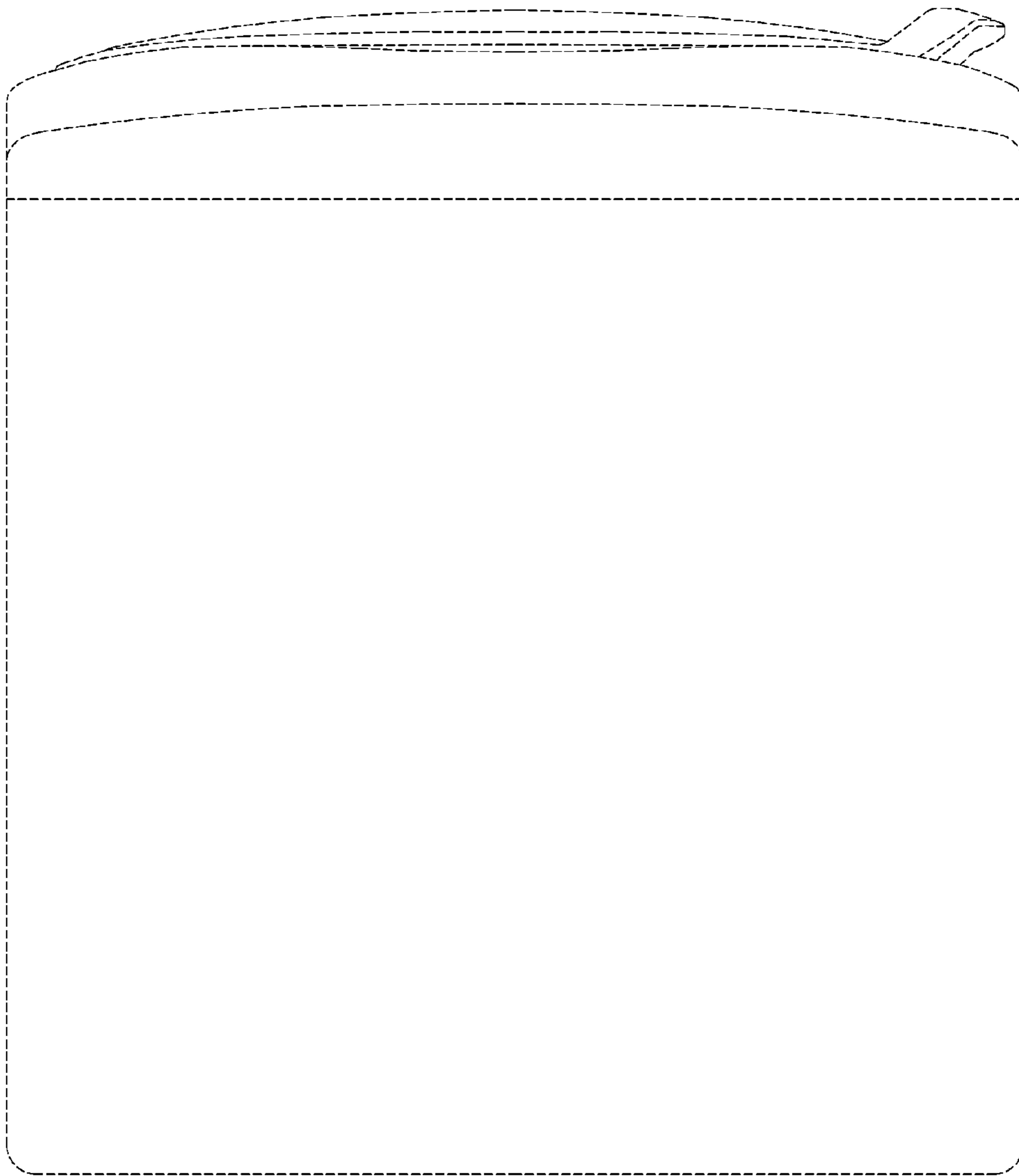


FIG. 8

