



US00D747573S

(12) **United States Design Patent**  
**Richiuso et al.**

(10) **Patent No.:** **US D747,573 S**  
(45) **Date of Patent:** **\*\* Jan. 12, 2016**

(54) **POOL CLEANER**

(71) Applicant: **Pentair Water Pool and Spa, Inc.**,  
Sanford, NC (US)

(72) Inventors: **Leonard Richiuso**, Sunnyvale, CA  
(US); **Suresh Gopalan**, Milpitas, CA  
(US)

(73) Assignee: **Pentair Water Pool and Spa, Inc.**,  
Sanford, NC (US)

(\*\*) Term: **15 Years**

(21) Appl. No.: **29/531,987**

(22) Filed: **Jun. 30, 2015**

**Related U.S. Application Data**

(60) Division of application No. 29/458,323, filed on Jun. 18, 2013, now Pat. No. Des. 733,374, and a continuation of application No. 29/403,243, filed on Oct. 3, 2011, now Pat. No. Des. 684,738.

(51) **LOC (10) Cl.** ..... **15-05**

(52) **U.S. Cl.**  
USPC ..... **D32/21**

(58) **Field of Classification Search**  
USPC ..... D32/17-18, 21, 23-24, 31  
CPC ... E04H 4/1654; A47L 9/2842; A47L 9/1666;  
A47L 5/362; A47L 5/365; A47L 5/36; A47L  
7/06; A47L 11/34  
See application file for complete search history.

(56) **References Cited**

**U.S. PATENT DOCUMENTS**

4,558,479 A \* 12/1985 Greskovics et al. .... 15/1.7  
5,001,800 A \* 3/1991 Parenti et al. .... 15/1.7  
5,095,571 A \* 3/1992 Sargent ..... 15/1.7  
D384,782 S \* 10/1997 Geftter ..... D32/21

5,933,899 A \* 8/1999 Campbell et al. .... 15/1.7  
5,970,557 A \* 10/1999 Supra ..... 15/1.7  
D471,330 S \* 3/2003 Campbell ..... D32/21  
6,665,900 B2 \* 12/2003 Wichmann et al. .... 15/1.7  
D485,652 S \* 1/2004 Erlich ..... D32/18  
6,836,929 B2 \* 1/2005 Kim ..... 15/323  
6,854,148 B1 \* 2/2005 Rief et al. .... 15/1.7  
D518,253 S \* 3/2006 Erlich et al. .... D32/18  
D522,191 S \* 5/2006 Erlich ..... D32/18  
7,060,182 B2 \* 6/2006 Erlich et al. .... 210/167.16  
7,273,546 B2 \* 9/2007 Meritt-Powell ..... 210/167.17  
7,520,015 B1 \* 4/2009 Ajello ..... 15/1.7  
D594,610 S \* 6/2009 Klimas ..... D32/21  
D598,168 S \* 8/2009 Sumonthee ..... D32/21  
7,636,975 B2 \* 12/2009 Mah et al. .... 15/1.7  
7,721,370 B2 \* 5/2010 Gopalan ..... 15/1.7  
7,867,389 B2 \* 1/2011 Hui ..... 210/167.16

(Continued)

*Primary Examiner* — Ruth McInroy

(74) *Attorney, Agent, or Firm* — Quarles & Brady LLP

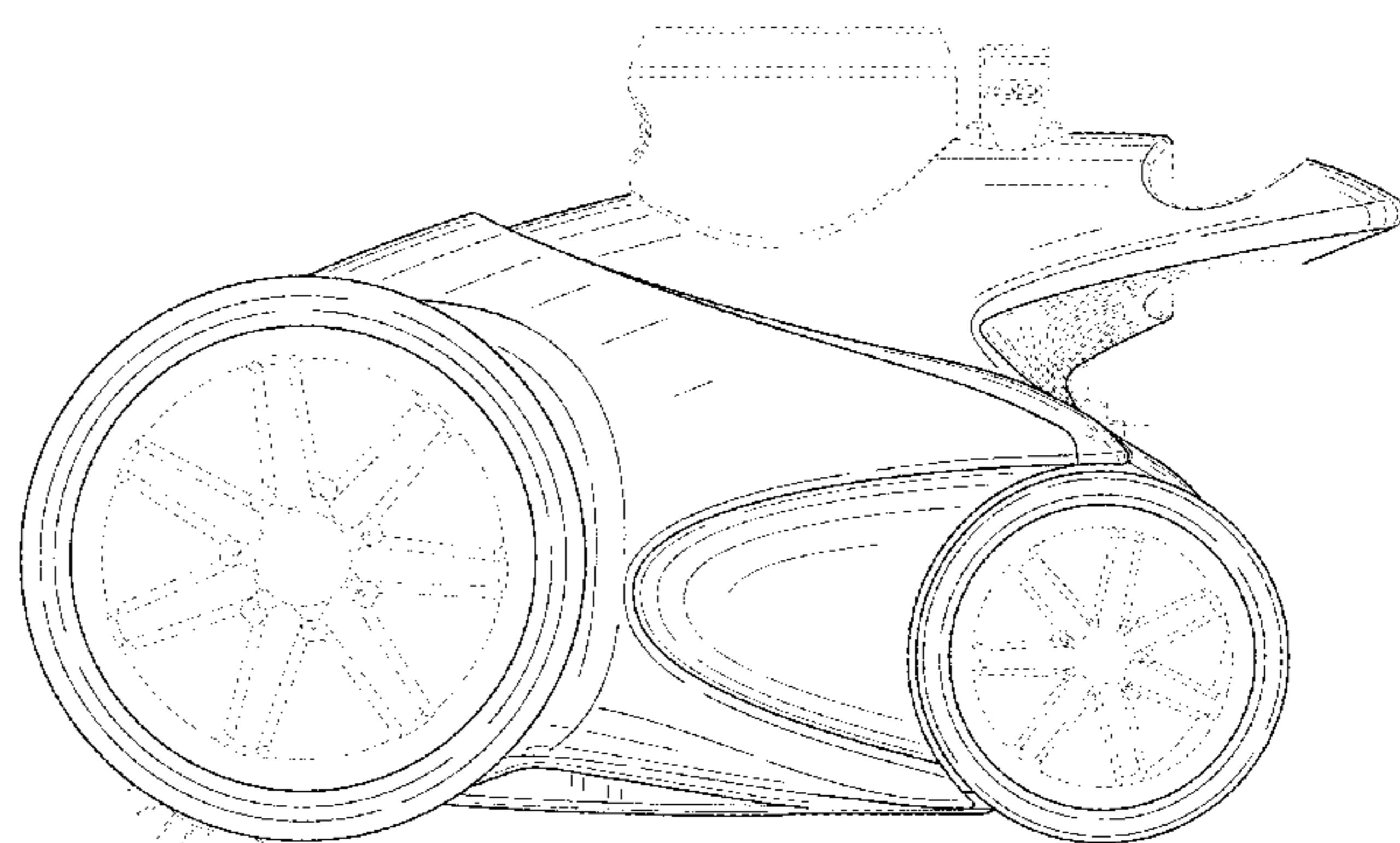
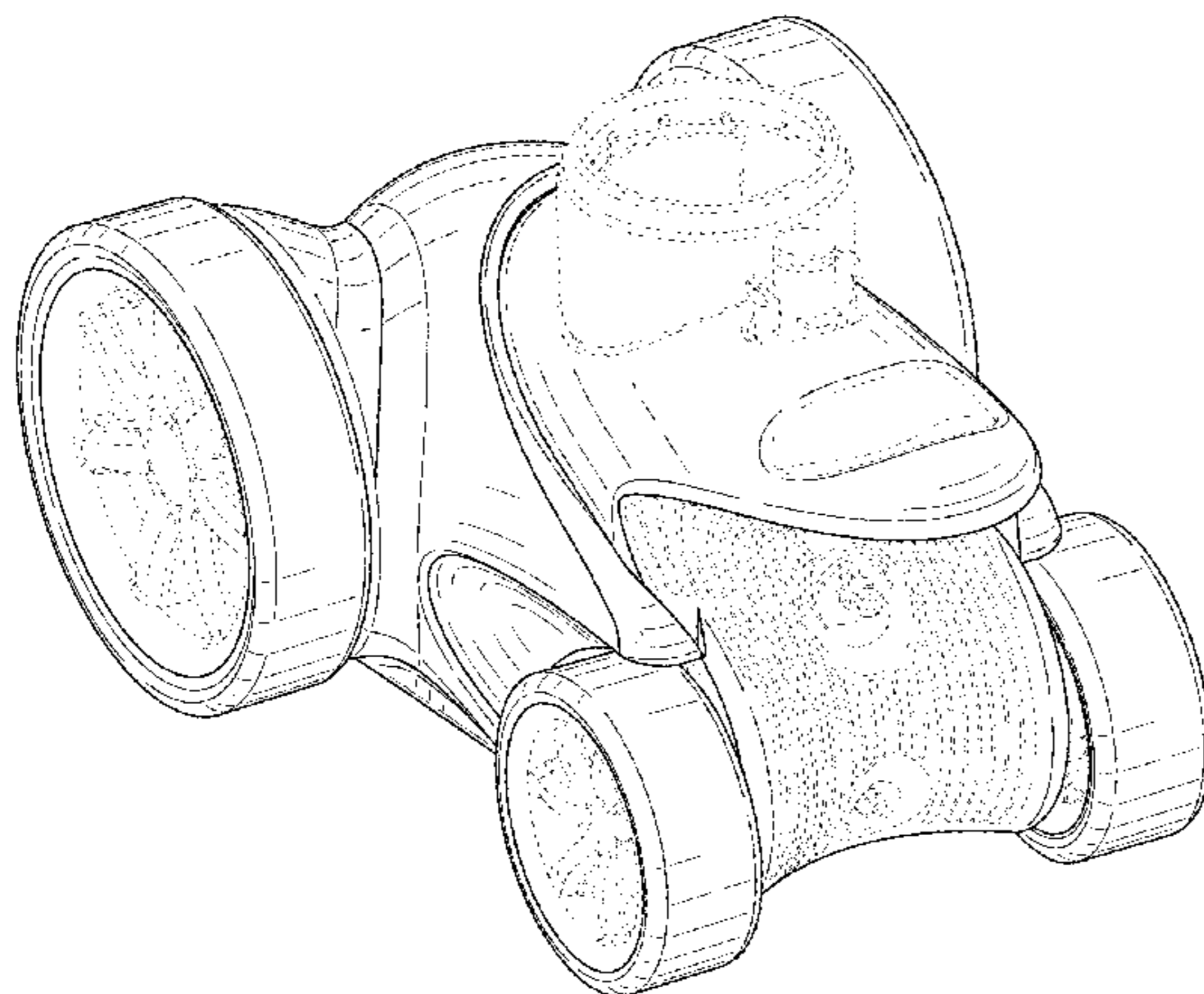
(57) **CLAIM**

The ornamental design for a pool cleaner, as shown and described.

**DESCRIPTION**

FIG. 1 is an isometric view of a rear, top, and left side of an ornamental design for a pool cleaner;  
FIG. 2 is a rear elevational view of the pool cleaner of FIG. 1;  
FIG. 3 is a front elevational view of the pool cleaner of FIG. 1;  
FIG. 4 is a right side elevational view of the pool cleaner of FIG. 1;  
FIG. 5 is a left side elevational view of the pool cleaner of FIG. 1;  
FIG. 6 is a top plan view of the pool cleaner of FIG. 1; and  
FIG. 7 is a bottom plan view of the pool cleaner of FIG. 1.  
The broken lines are for the purpose of illustrating environmental structure and form no part of the claimed design.

**1 Claim, 7 Drawing Sheets**



(56)

**References Cited**

U.S. PATENT DOCUMENTS

8,117,704 B2 \* 2/2012 Schneider et al. .... 15/1.7  
8,141,191 B2 \* 3/2012 Hui ..... 15/1.7  
2003/0182742 A1 \* 10/2003 Wichmann et al. .... 15/1.7  
2003/0205513 A1 \* 11/2003 Stoltz et al. .... 210/169  
2004/0089593 A1 \* 5/2004 Campbell ..... 210/169  
2005/0035039 A1 \* 2/2005 Erlich ..... 210/169  
2005/0236310 A1 \* 10/2005 Meritt-Powell ..... 210/169

2005/0247613 A1 \* 11/2005 Bishop et al. .... 210/169  
2006/0265820 A1 \* 11/2006 Erlich et al. .... 15/1.7  
2007/0289075 A1 \* 12/2007 Gopalan ..... 15/1.7  
2008/0109972 A1 \* 5/2008 Mah et al. .... 15/1.7  
2009/0229061 A1 \* 9/2009 Stoltz et al. .... 15/1.7  
2009/0300862 A1 \* 12/2009 Schneider et al. .... 15/1.7  
2009/0307854 A1 \* 12/2009 Garti ..... 15/1.7  
2011/0088181 A1 \* 4/2011 Rief et al. .... 15/1.7  
2012/0074050 A1 \* 3/2012 Rief et al. .... 210/167.16

\* cited by examiner

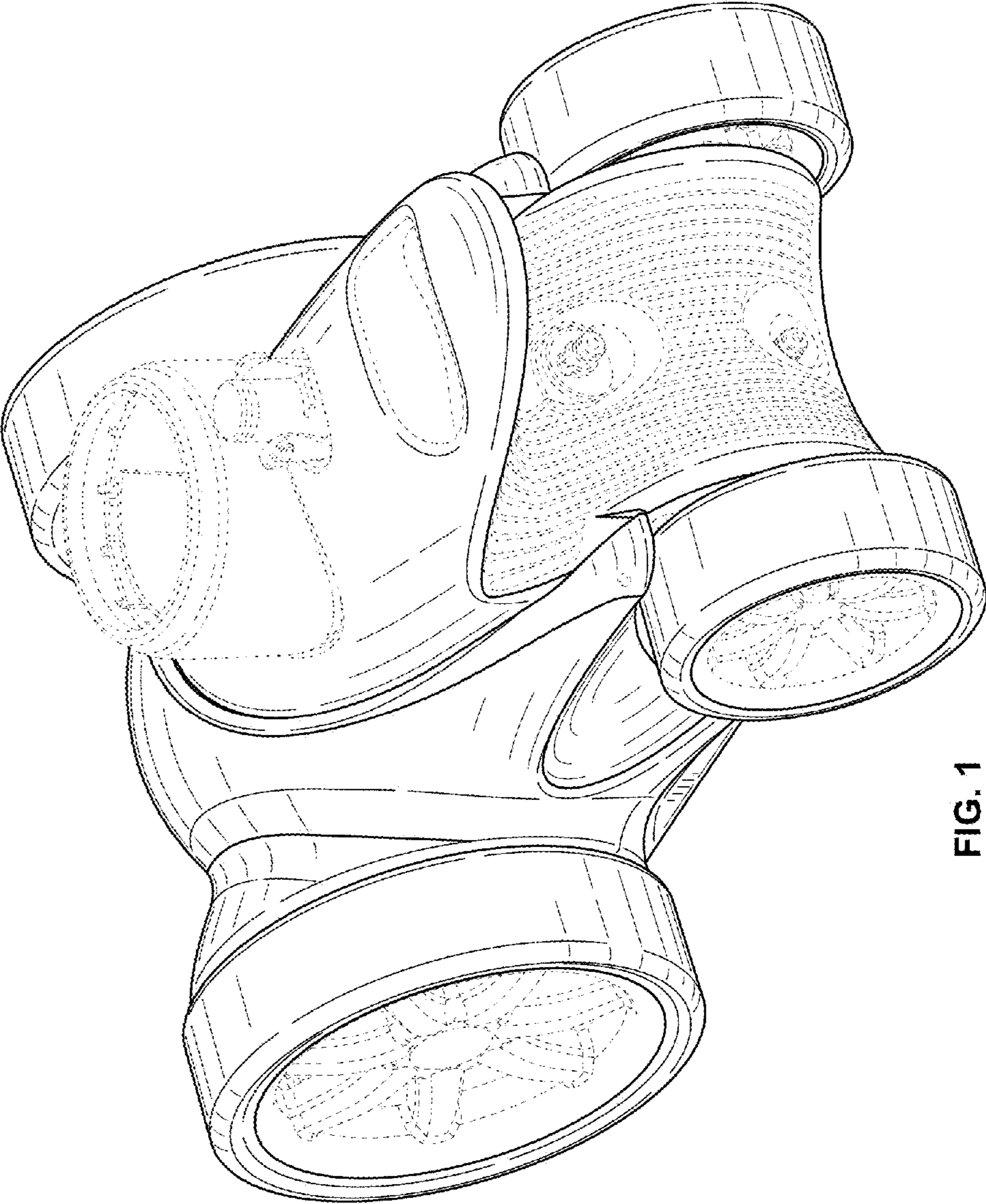


FIG. 1

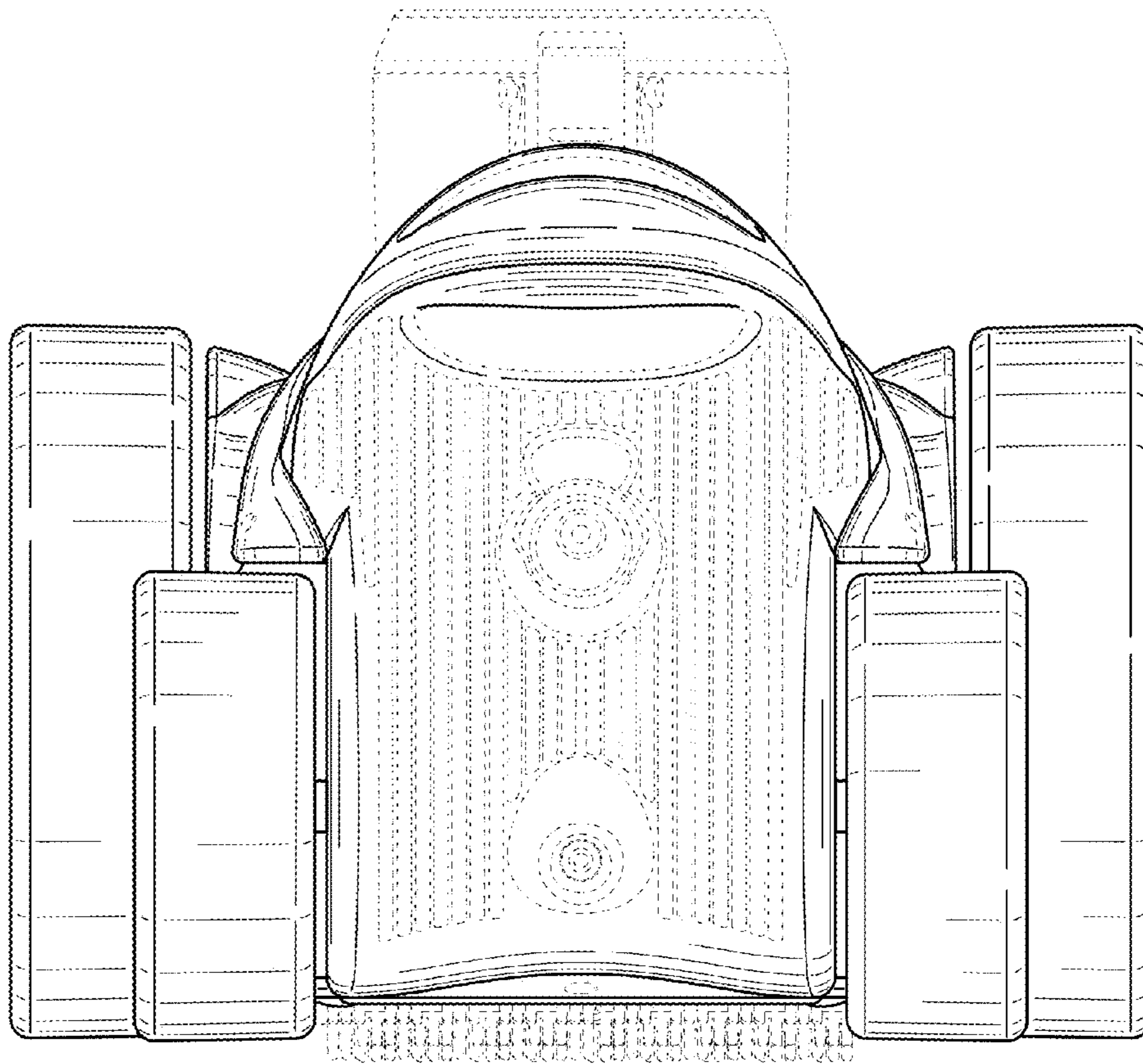


FIG. 2

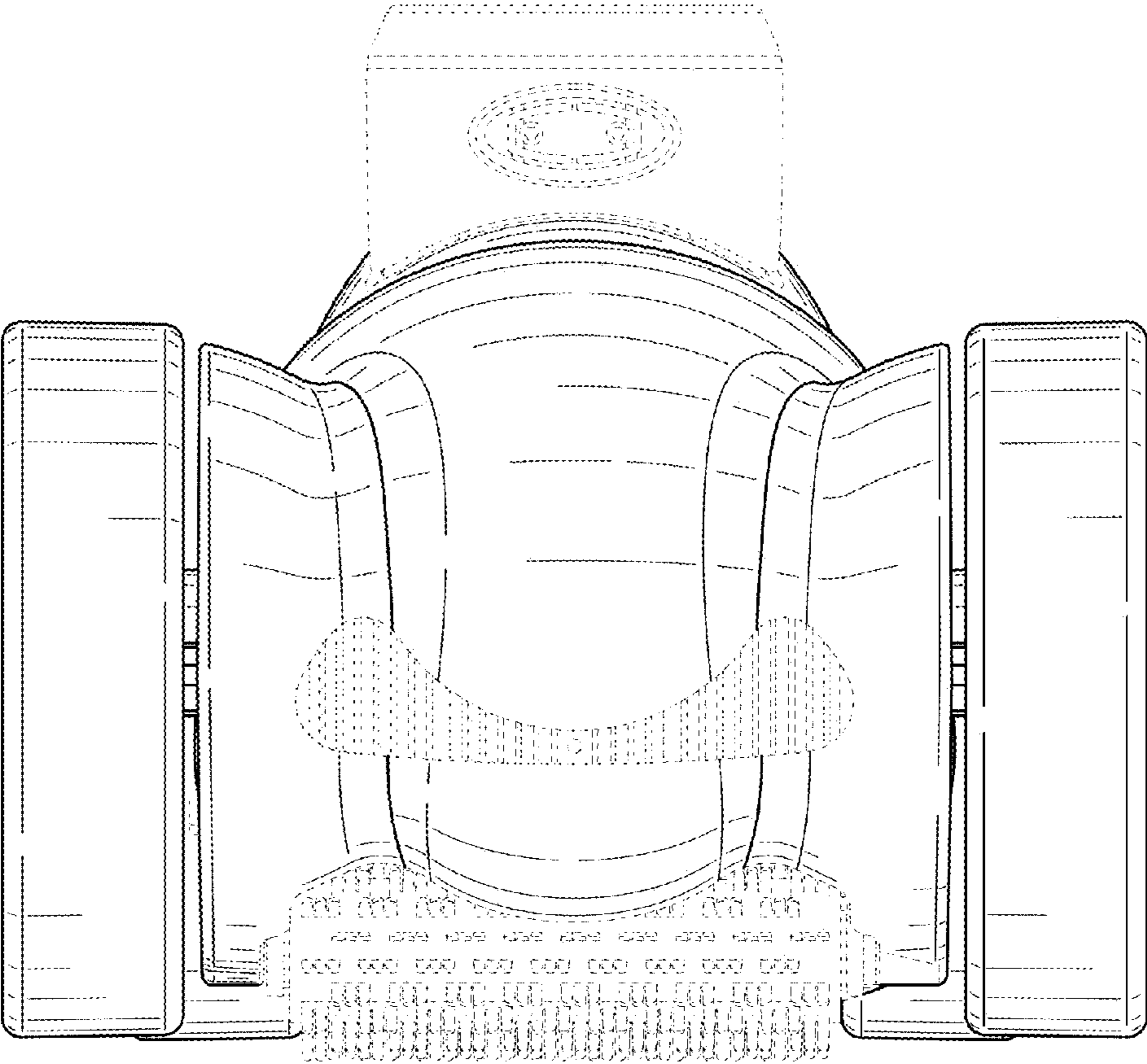


FIG. 3

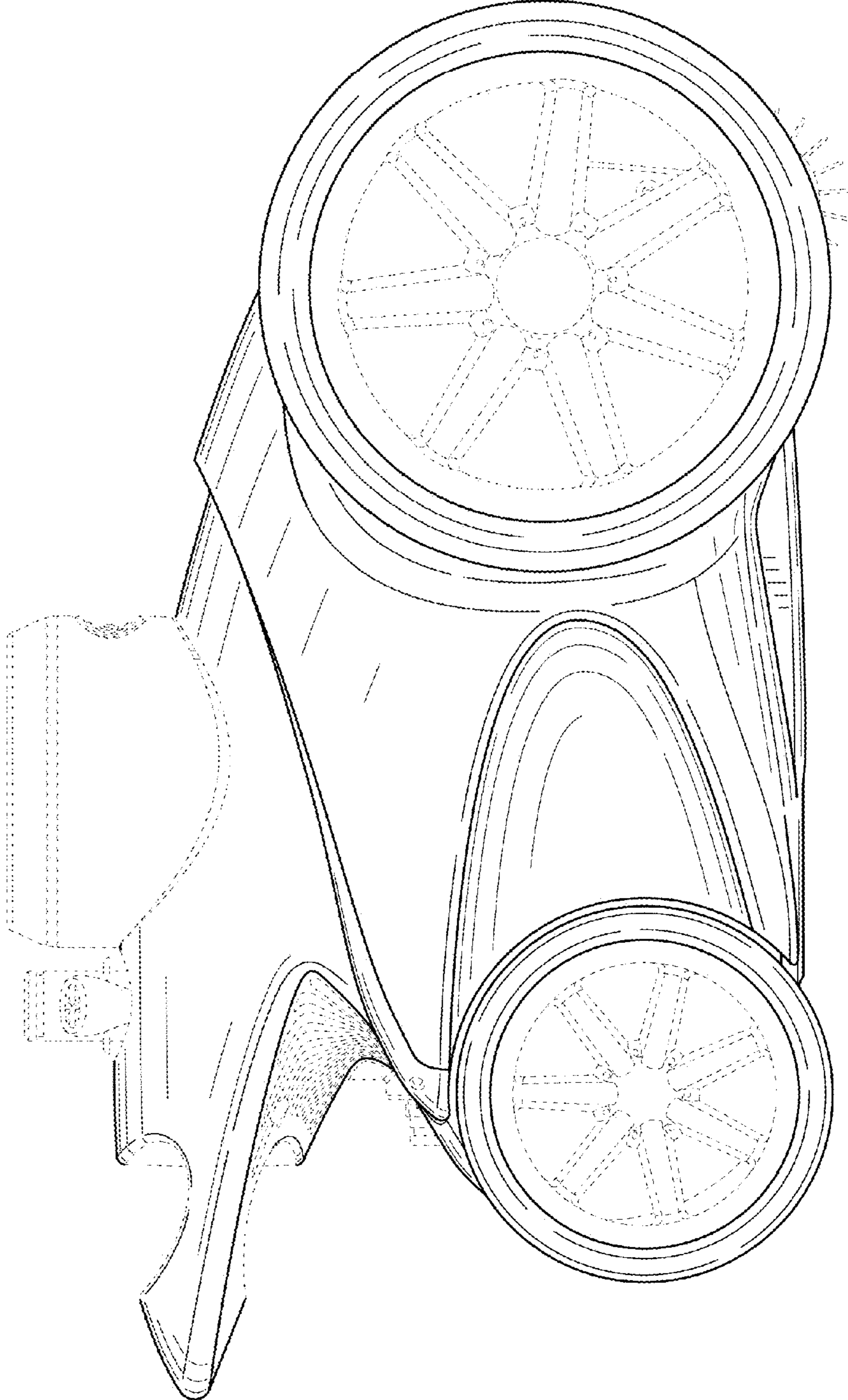


FIG. 4

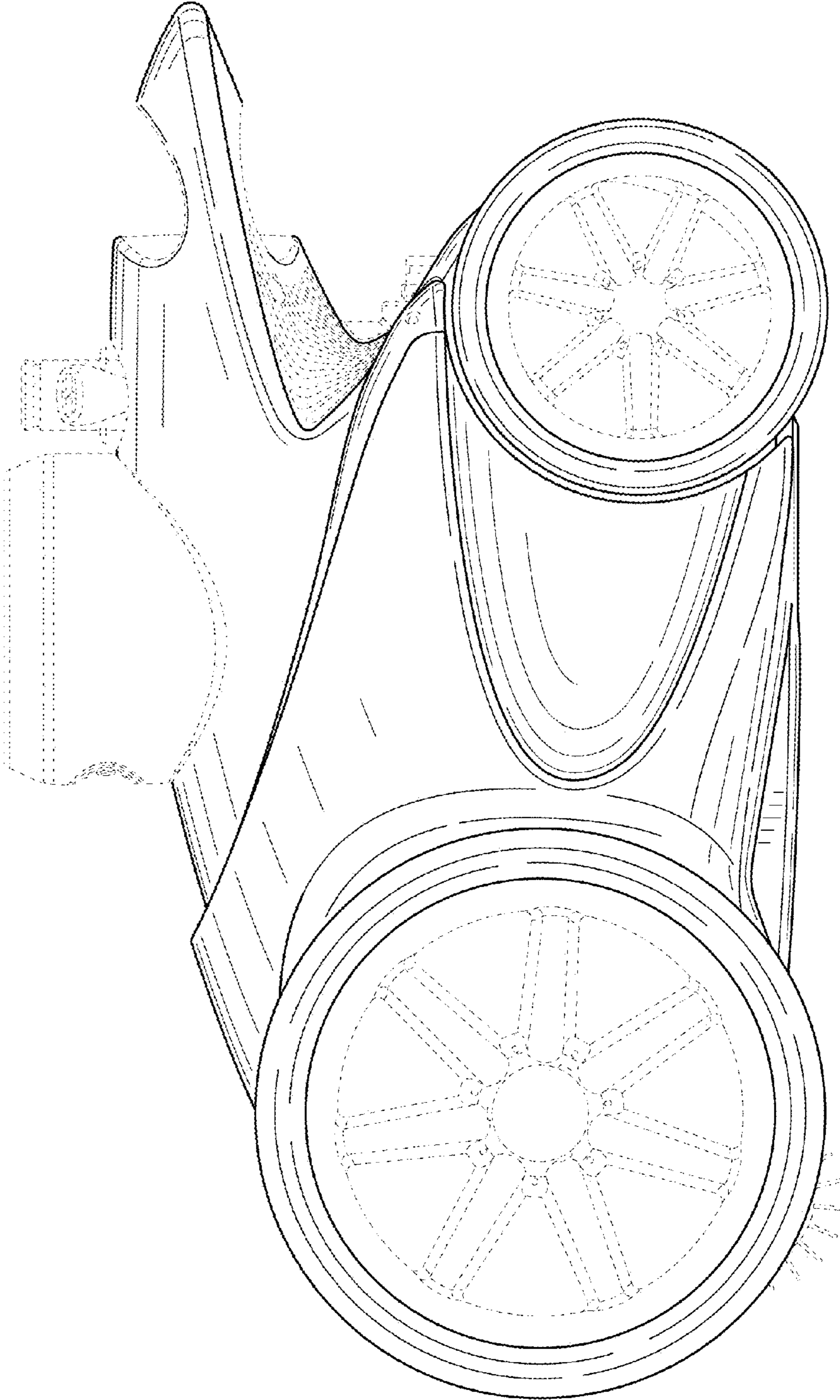


FIG. 5

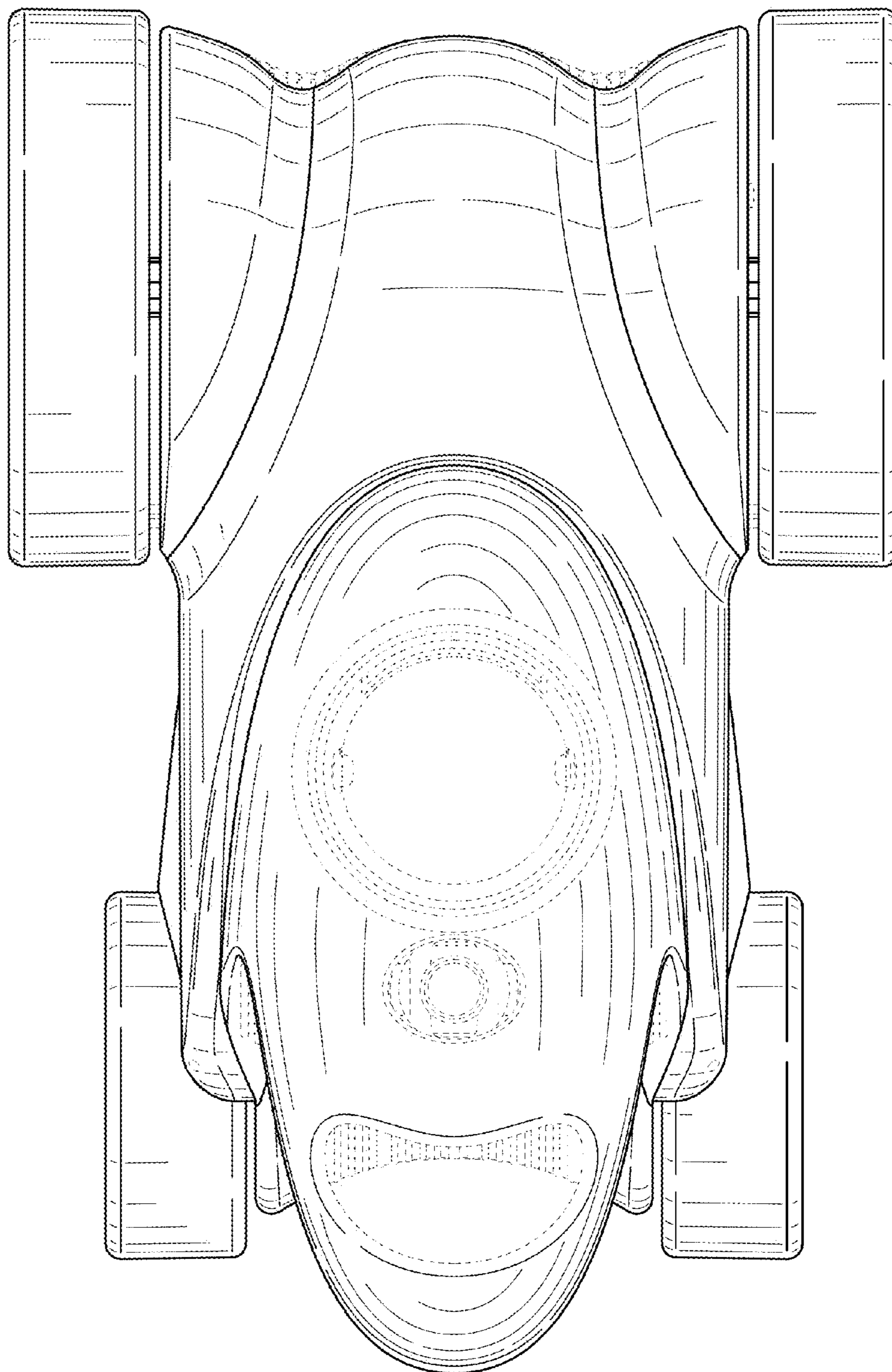


FIG. 6



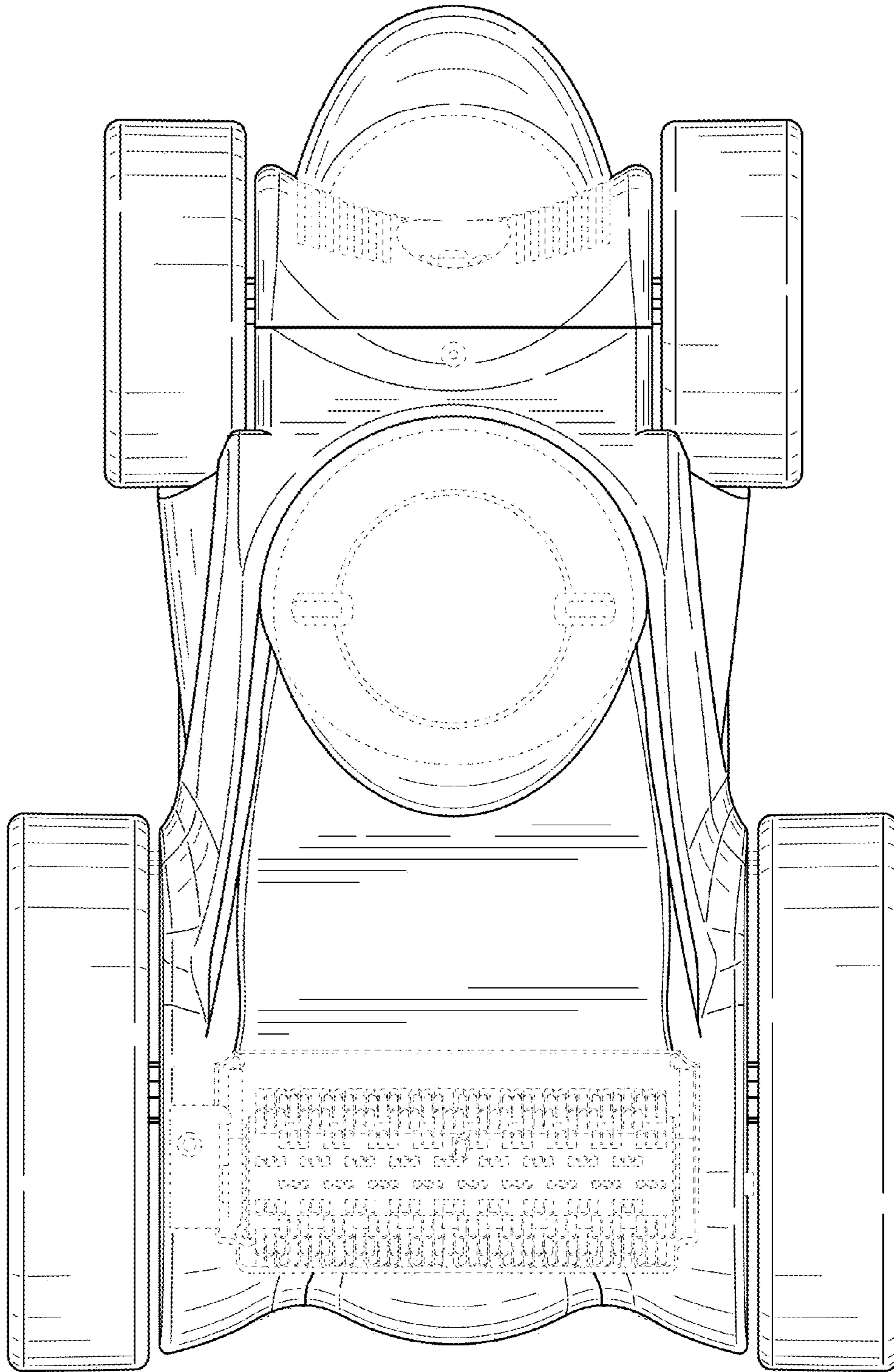


FIG. 7