



US00D747570S

(12) **United States Design Patent**
Graeser

(10) **Patent No.:** **US D747,570 S**
(45) **Date of Patent:** **** Jan. 12, 2016**

(54) **DRYER MACHINE**

(71) Applicant: **Lavatec Laundry Technology GmbH**,
Heilbronn (DE)

(72) Inventor: **Wolf-Peter Graeser**, Flein (DE)

(73) Assignee: **LAVATEC LAUNDRY
TECHNOLOGY GMBH**, Heilbronn
(DE)

(**) Term: **14 Years**

(21) Appl. No.: **29/437,471**

(22) Filed: **Nov. 16, 2012**

(30) **Foreign Application Priority Data**

May 16, 2012 (EP) 002042713-0002

(51) **LOC (10) Cl.** **15-05**

(52) **U.S. Cl.**

USPC **D32/8**

(58) **Field of Classification Search**

USPC D32/1-3, 5-8; 34/595, 360; 68/12.08,
68/12.14, 79; D4/100; D3/203.3, 218,
D3/272, 321; D28/61, 73; D21/334-337;
273/157 R, 264; D9/516, 522, 544, 560,
D9/433-452; 229/116

See application file for complete search history.

(56) **References Cited**

U.S. PATENT DOCUMENTS

D6,528 S * 3/1873 Muller D9/560
D53,911 S * 10/1919 Humphrey D9/435
D76,992 S * 11/1928 Fawcett D9/432
2,819,008 A * 1/1958 White et al. 229/114
D214,132 S * 5/1969 Niemoller D27/152
D221,520 S * 8/1971 Plummer D9/529
4,063,679 A * 12/1977 Henry 229/108.1
D278,032 S * 3/1985 de Mourgues D9/561
4,587,450 A * 5/1986 Ozaki 310/156.11
4,842,001 A * 6/1989 O'Leary 134/112

D306,554 S * 3/1990 Lawson D9/687
D334,143 S * 3/1993 Rothfos D9/529
D368,225 S * 3/1996 Bertolini et al. D9/444

(Continued)

OTHER PUBLICATIONS

User Normals on Polygon Meshes, wayback date Nov. 10, 2010,
[online], [site visited Dec. 18, 2014] <http://web.archive.org/web/20101110161342/http://softimage.wiki.softimage.com/xsdocs/poly_shading_SettingUserNormalsonPolygonMeshes.htm>.*

(Continued)

Primary Examiner — John Windmuller

Assistant Examiner — John R Yeh

(74) *Attorney, Agent, or Firm* — Moore & Van Allen PLLC

(57) **CLAIM**

The ornamental design for a dryer machine, as shown and described.

DESCRIPTION

FIG. 1 is a front, top, and right-side perspective view of a dryer machine;

FIG. 2 is a right-side elevation view thereof;

FIG. 3 is a left-side elevation view thereof;

FIG. 4 is a front elevation view thereof;

FIG. 5 is a rear elevation view thereof;

FIG. 6 is a top plan view thereof;

FIG. 7 is a bottom plan view thereof;

FIG. 8 is a front, right-side perspective view thereof;

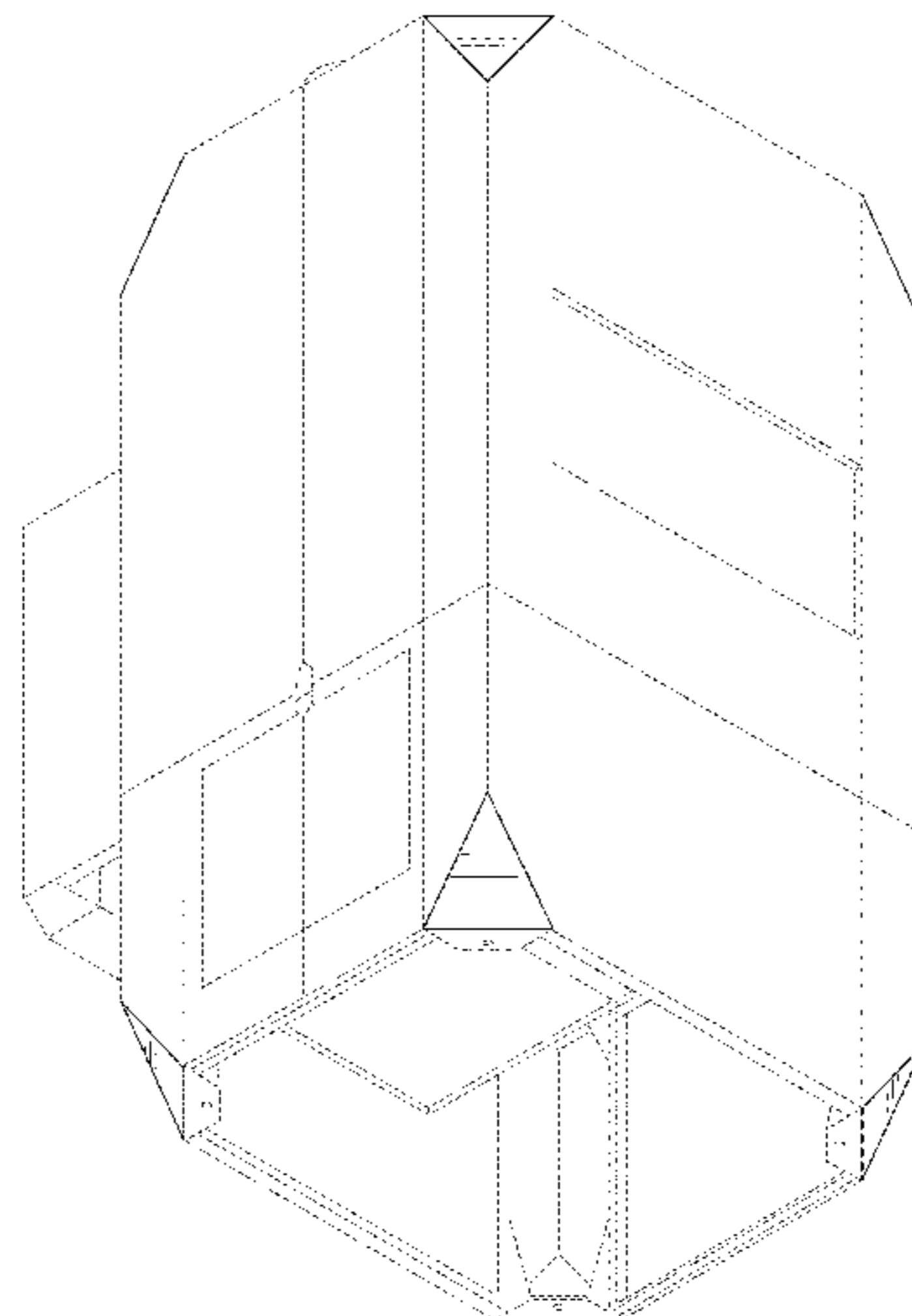
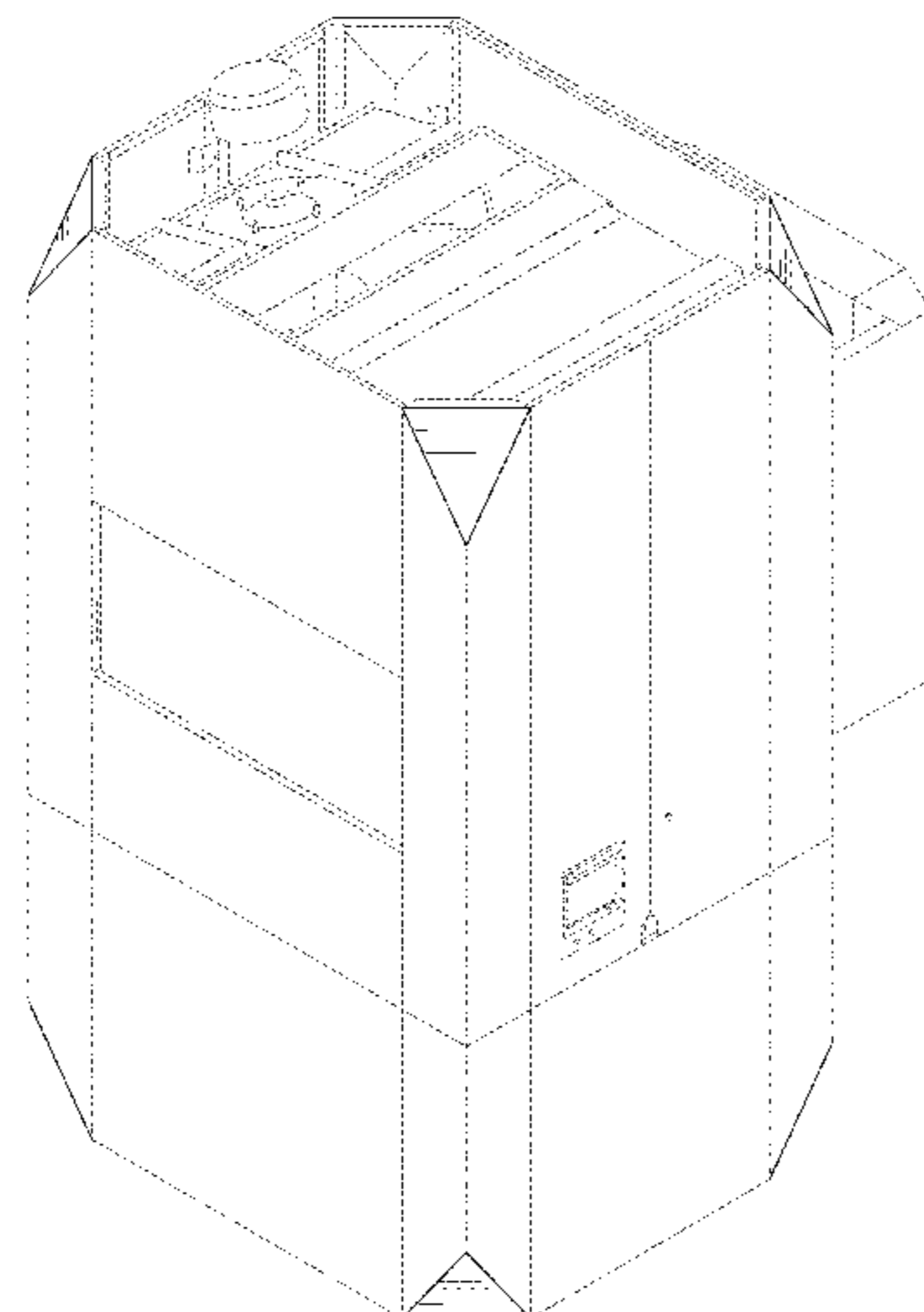
FIG. 9 is a front, right-side perspective view with a second environment;

FIG. 10 is a front, right-side perspective view with a third environment; and,

FIG. 11 is a rear, right-side perspective view thereof.

The broken lines shown in the drawings are shown for illustrative purposes only and form no part of the claimed design. In addition, the surface shading, if any, illustrated in the drawings is provided merely to highlight the contour of the design; it is not intended to be illustrative of texture or gloss.

1 Claim, 11 Drawing Sheets



(56)

References Cited

U.S. PATENT DOCUMENTS

5,782,358 A * 7/1998 Walker 206/509
D419,073 S * 1/2000 Jauffret D9/520
D428,577 S * 7/2000 Shanahan D9/544
6,196,546 B1 * 3/2001 Iglesias 273/285
D439,840 S * 4/2001 Saulas D9/431
D530,211 S * 10/2006 Lloyd D9/542
D531,514 S * 11/2006 Harris D9/560
D610,013 S * 2/2010 Mendelson D9/522
D632,969 S * 2/2011 Monteparo et al. D9/544

D637,491 S * 5/2011 Bogert D9/452
D680,004 S * 4/2013 Lecetre et al. D9/573
D695,350 S * 12/2013 Doleshal D21/373

OTHER PUBLICATIONS

Bovingdon Bricks brochure, website year 2011, [online], [site visited Dec. 18, 2014], <<http://www.bovingdonbricks.co.uk/request-a-brochure>>.*
Oleg Cassini Perfume Bottles, google pub date Mar. 17, 2011, [online], [site visited Dec. 16, 2014 7:57:03 PM], <<http://www.replacements.com/webquote/OLXPEBO.htm>>.*

* cited by examiner

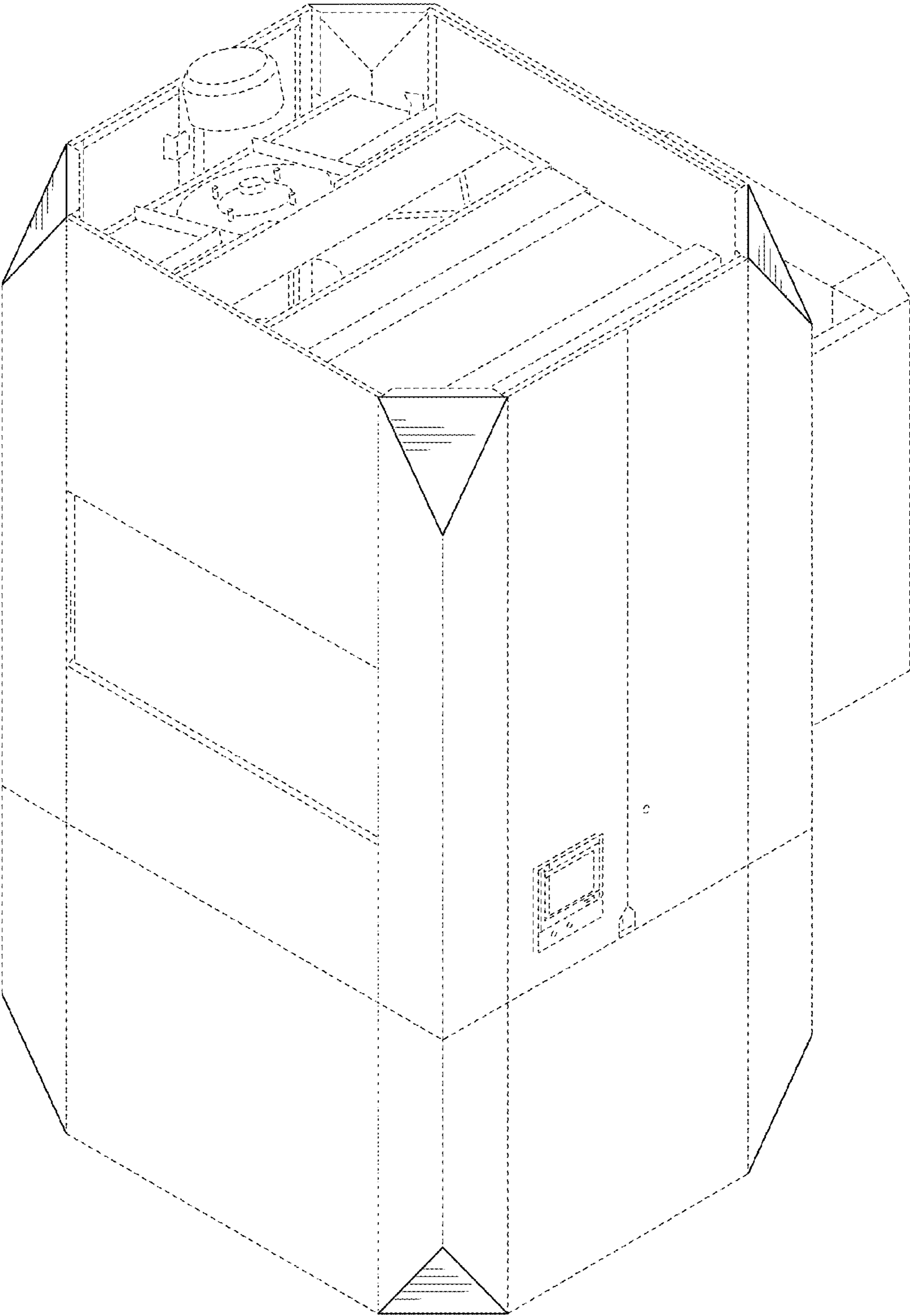


FIG. 1

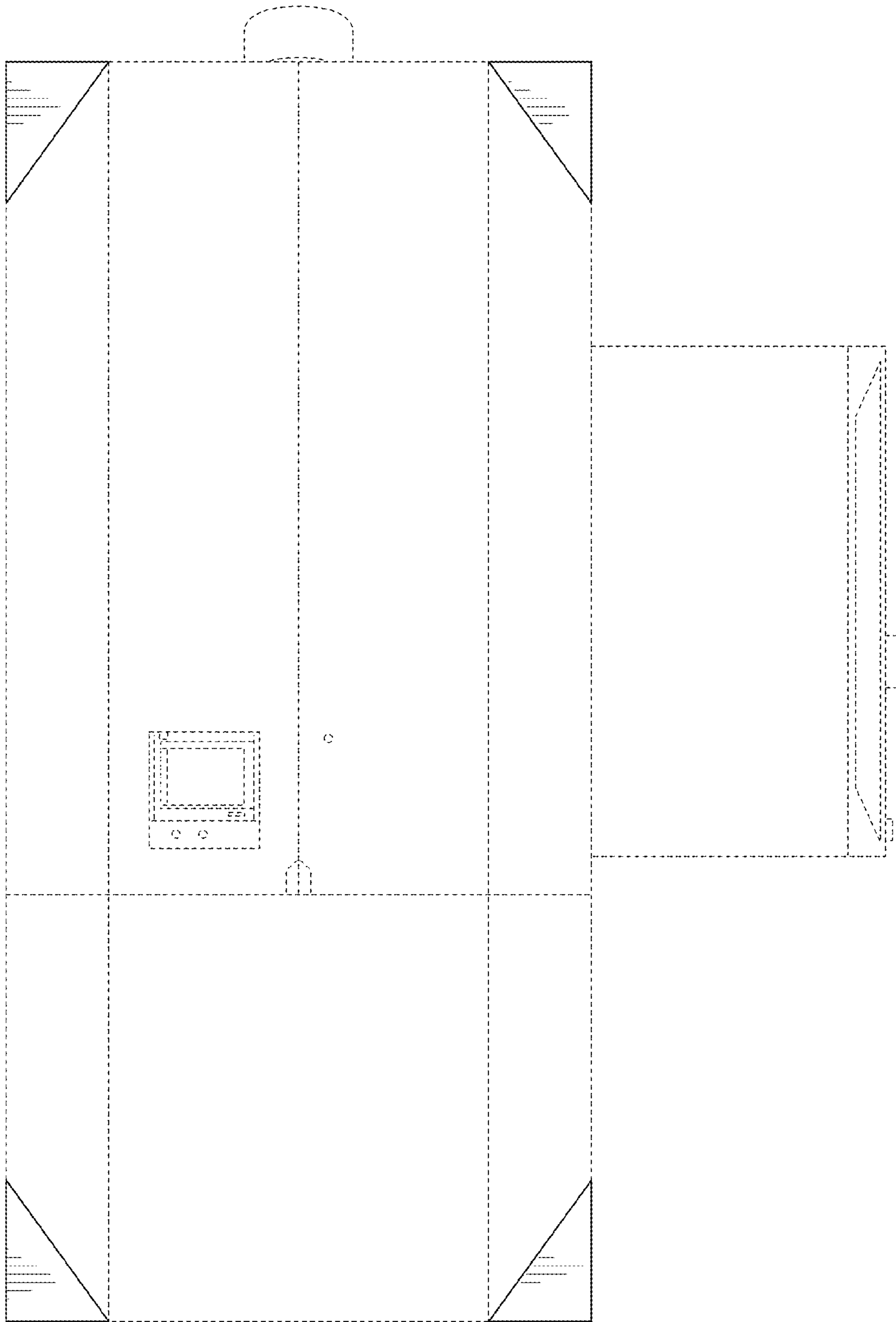


FIG. 2

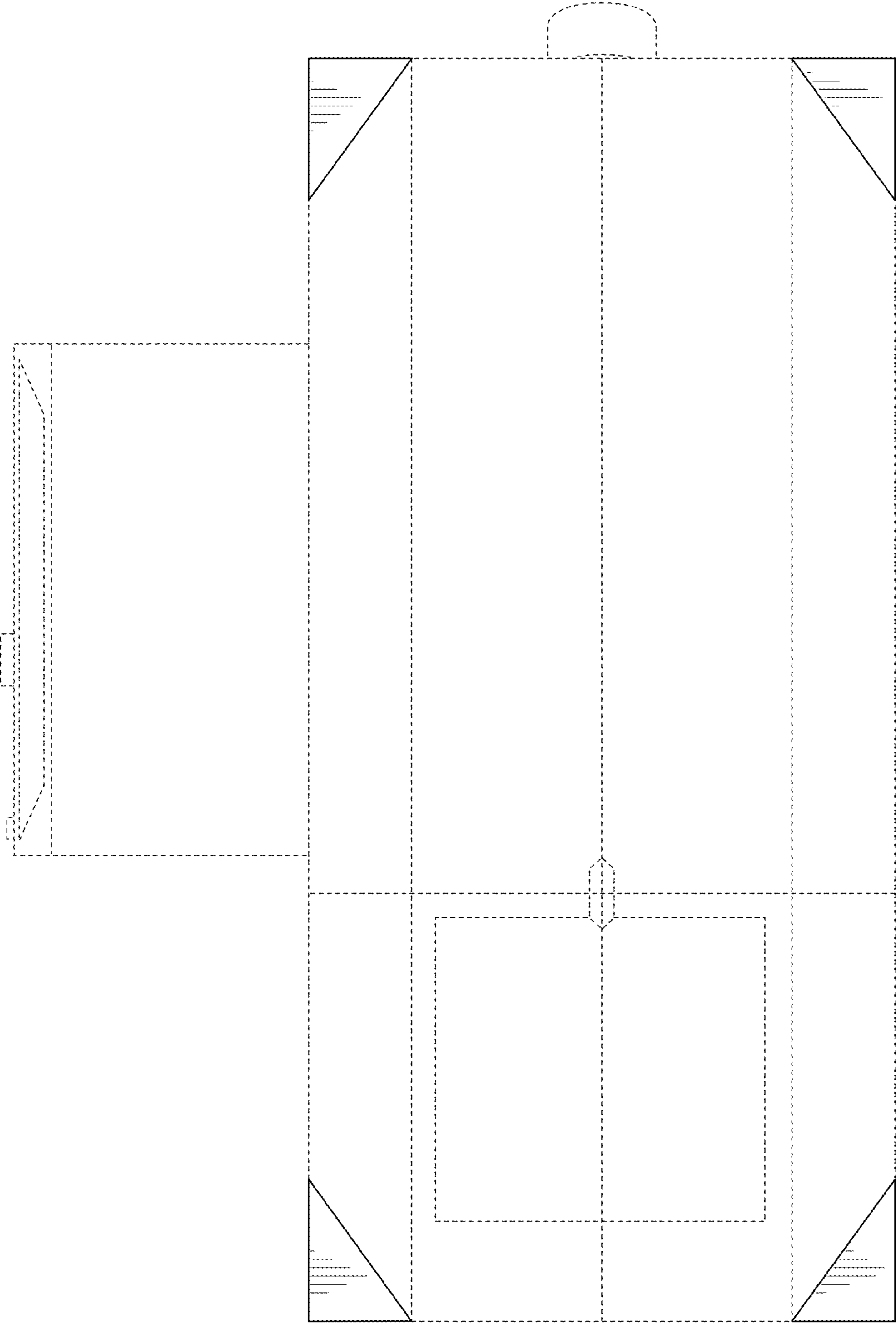


FIG. 3

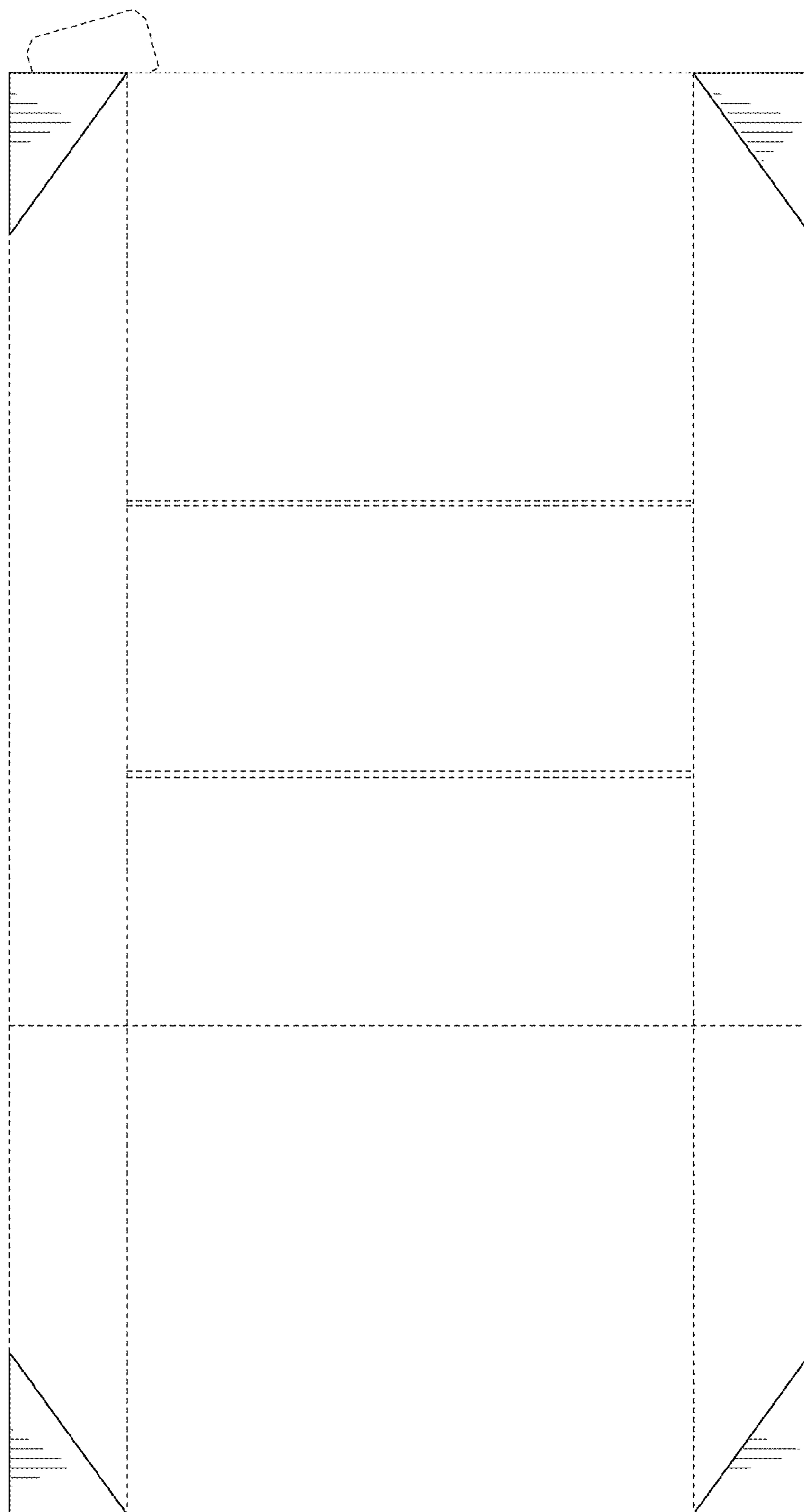


FIG. 4

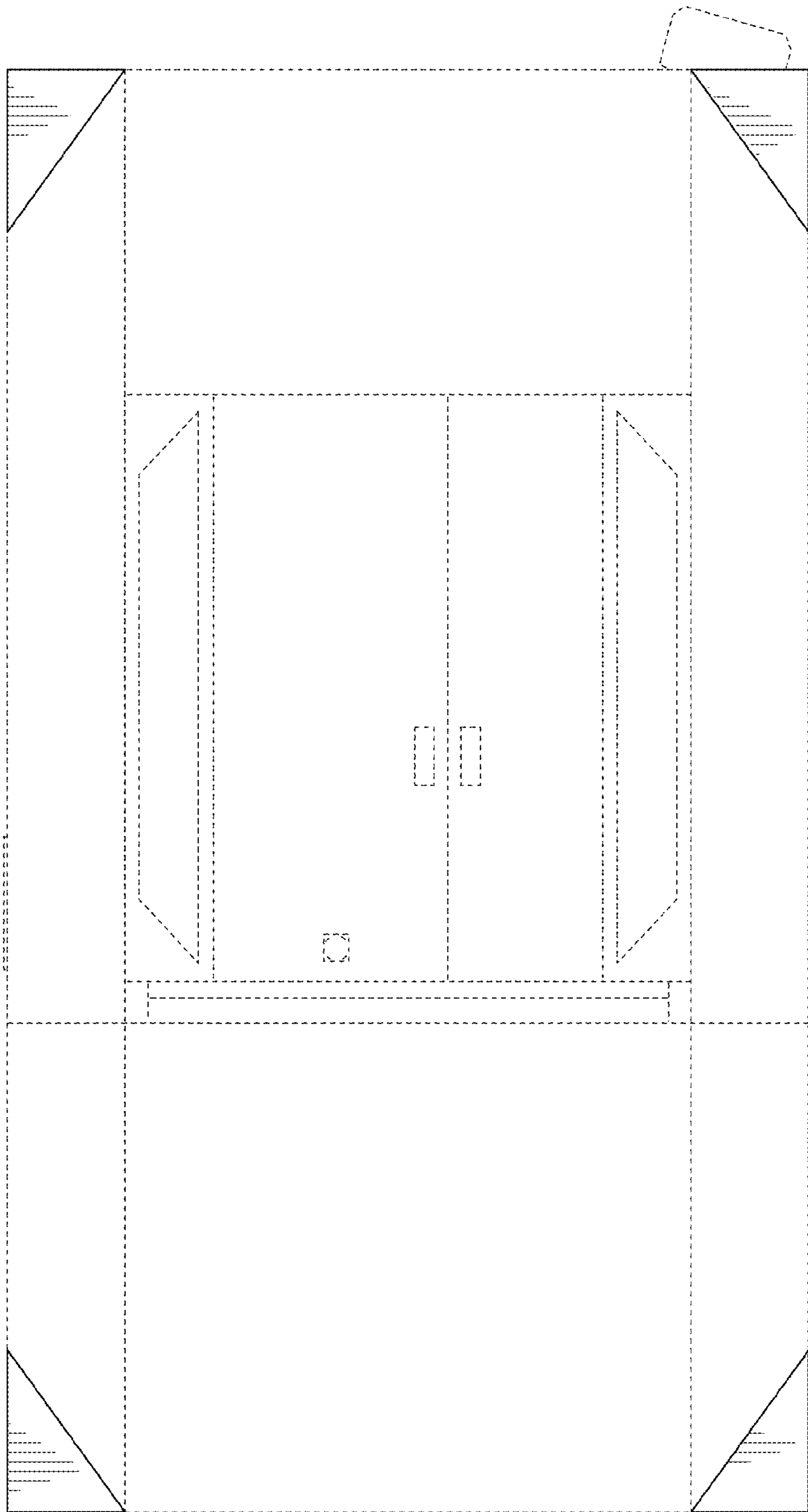


FIG. 5

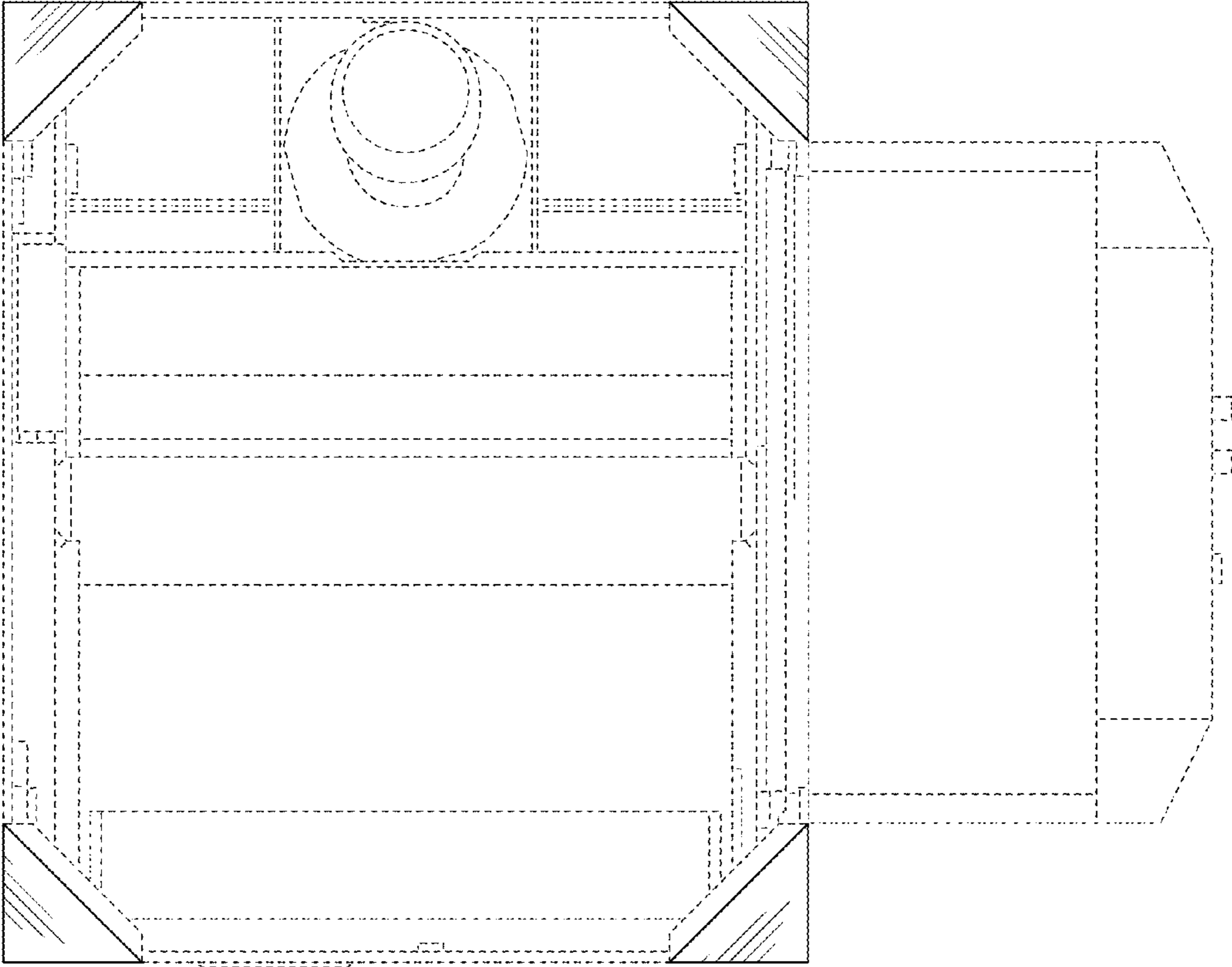


FIG. 6

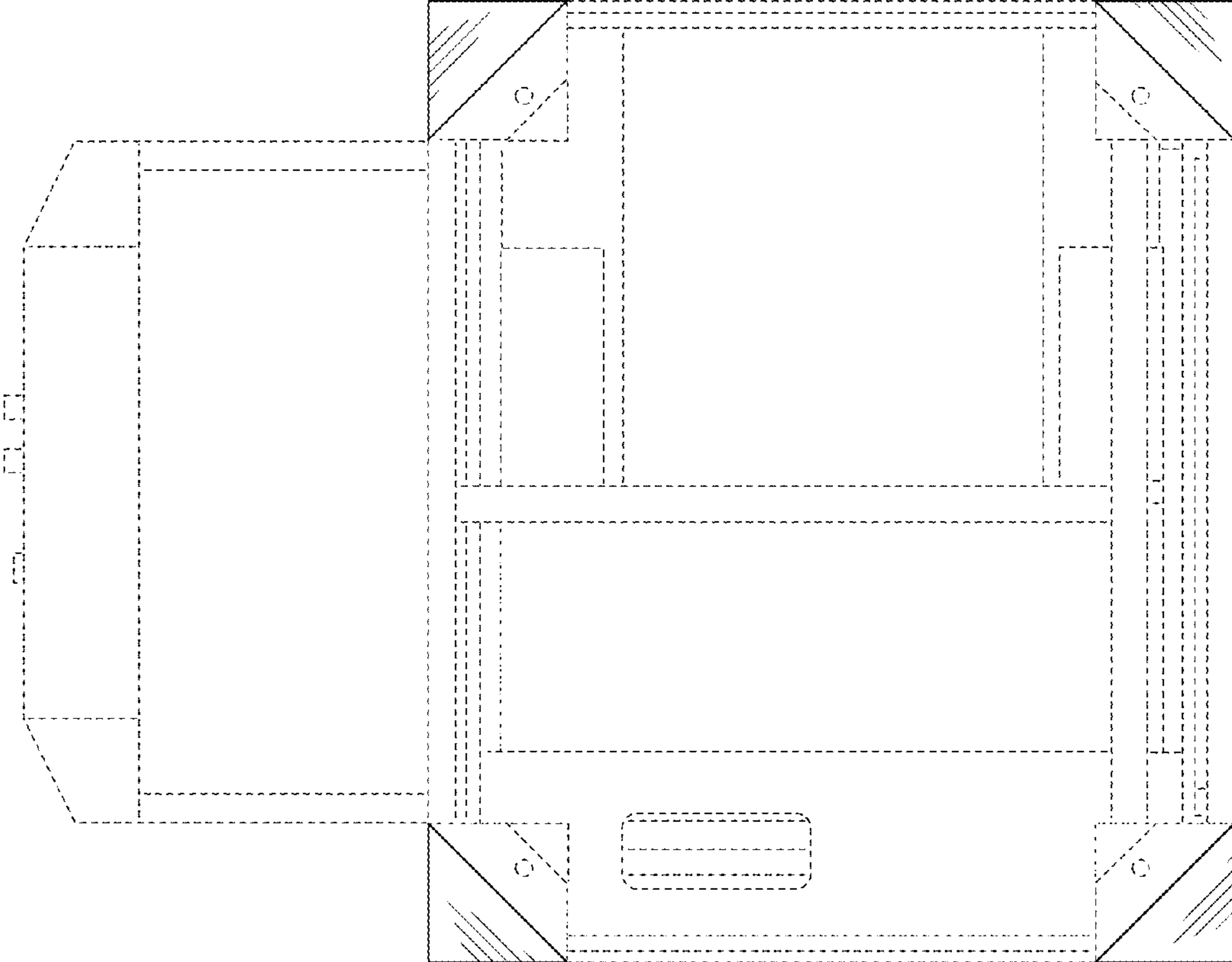


FIG. 7

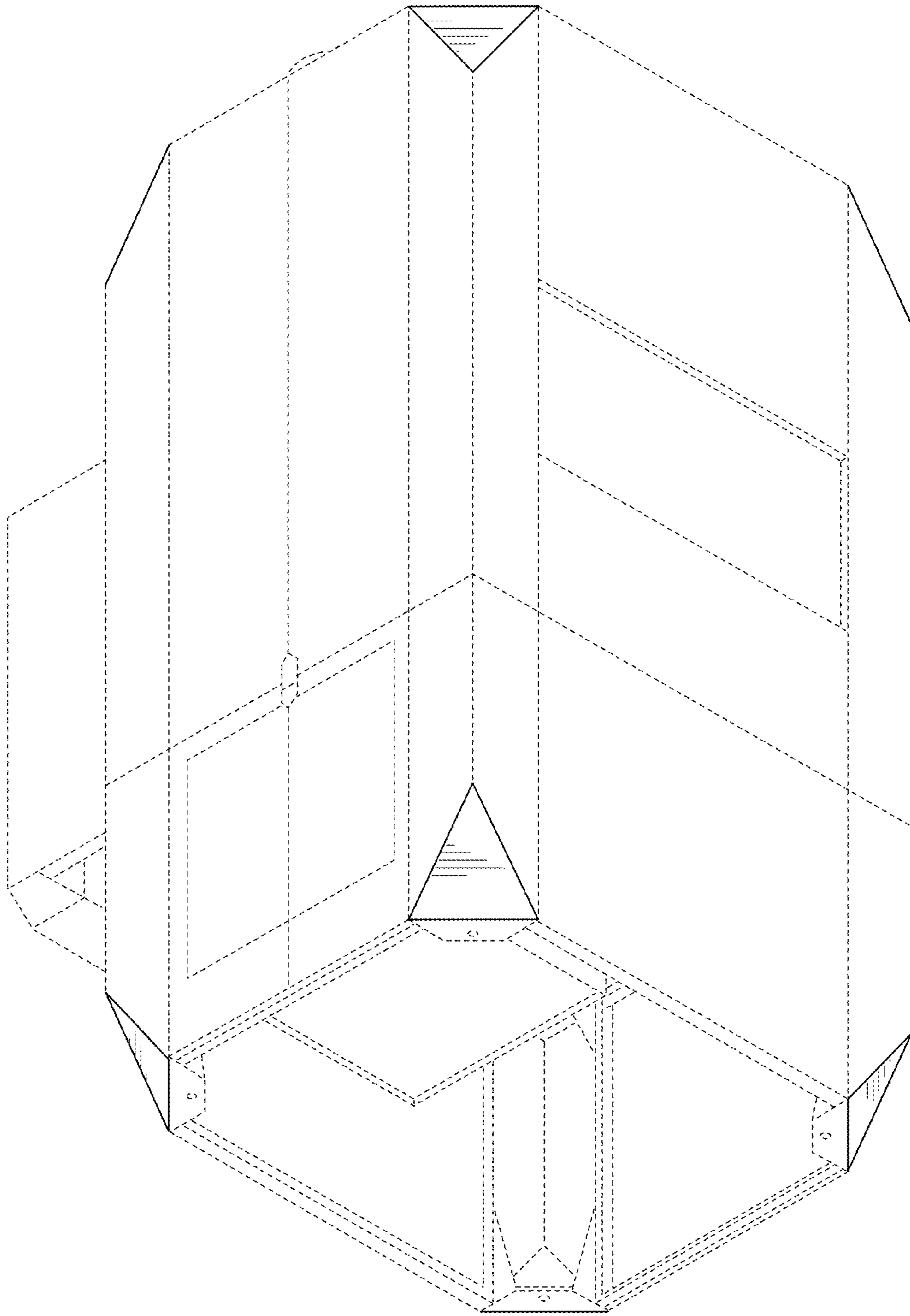


FIG. 8

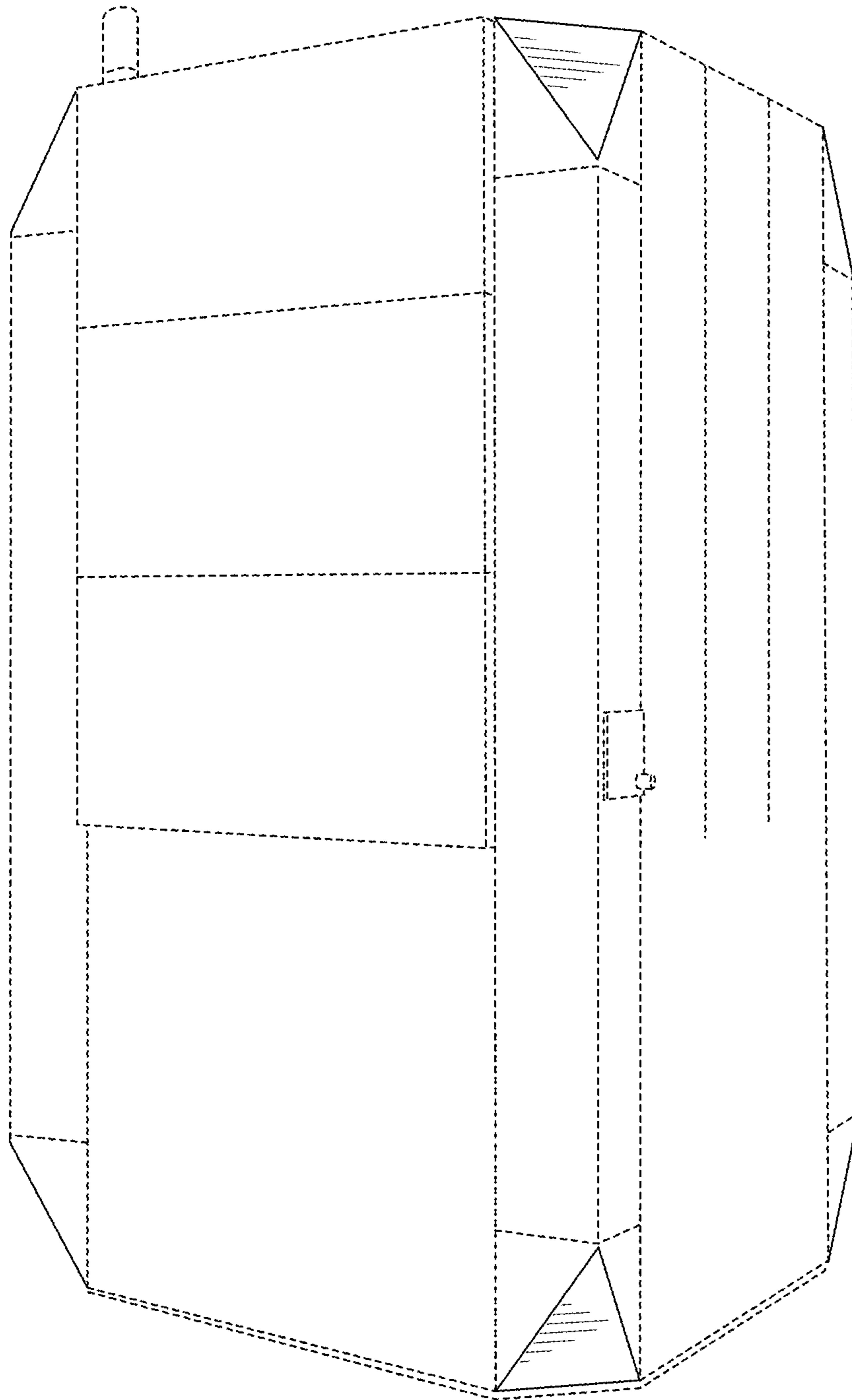


FIG. 9

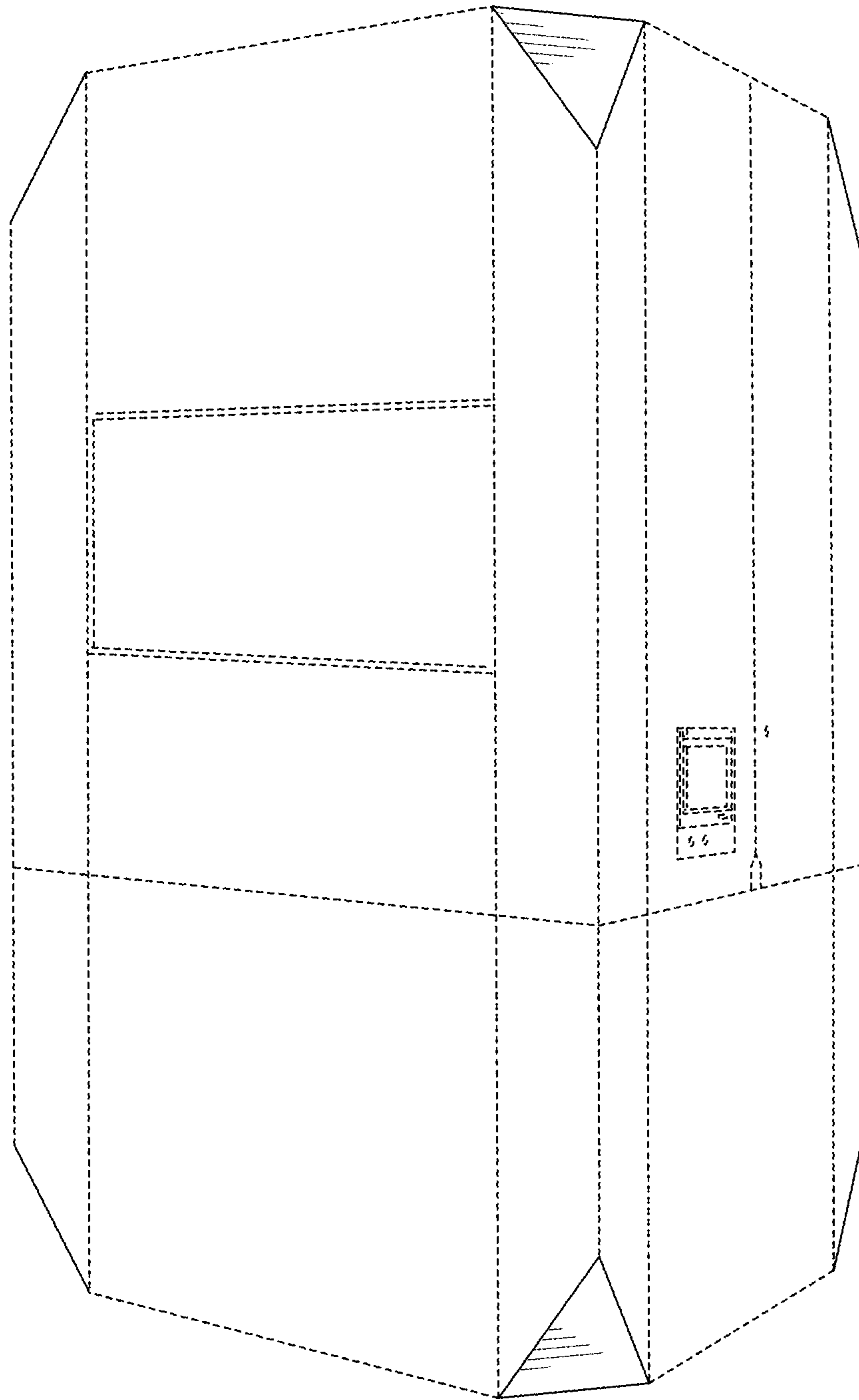


FIG. 10

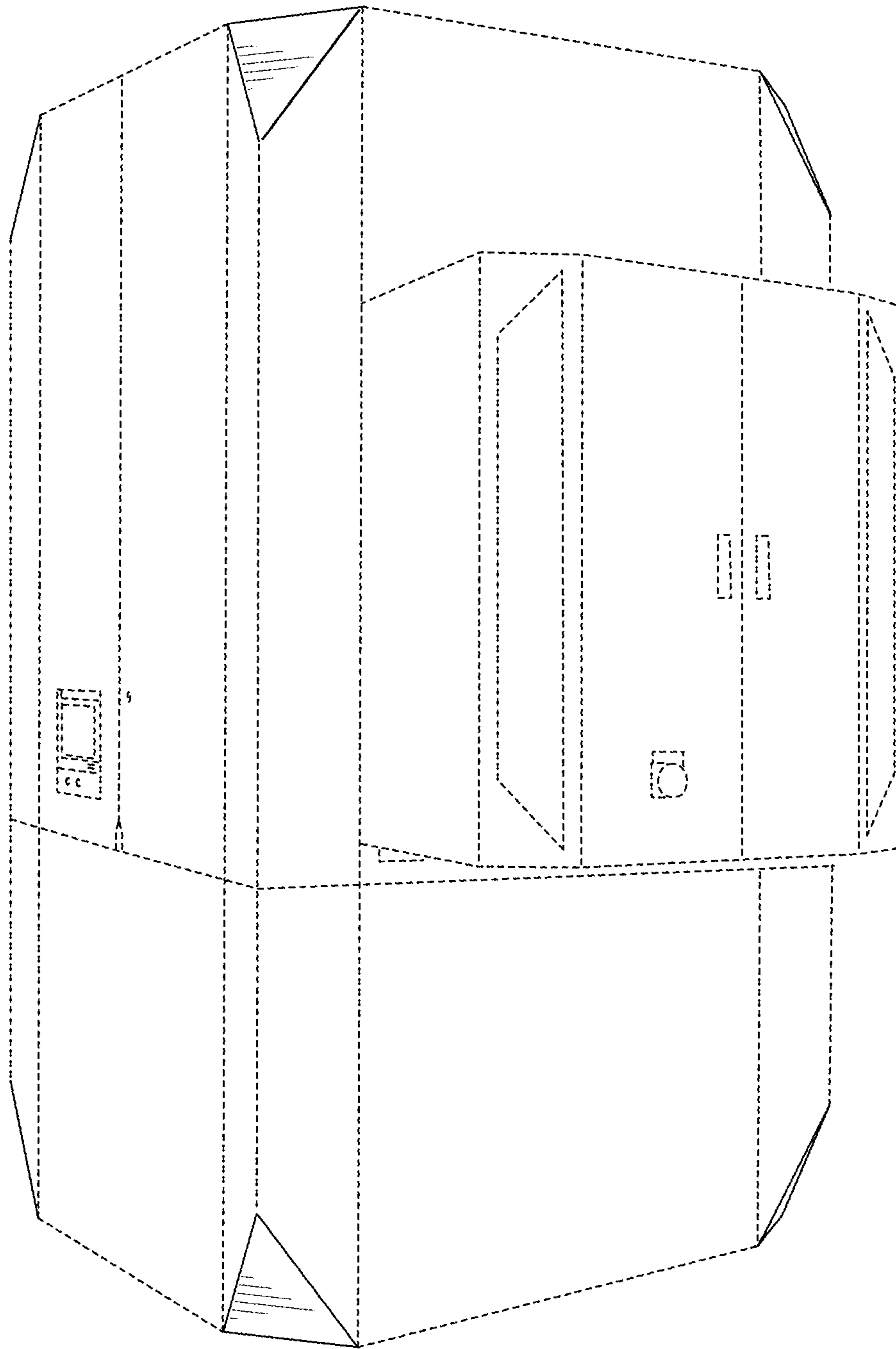


FIG. 11