



US00D747568S

(12) **United States Design Patent**  
**Hoffman**

(10) **Patent No.:** **US D747,568 S**  
(45) **Date of Patent:** **\*\* Jan. 12, 2016**

(54) **ENVIRONMENTAL CLEANING DEVICE**

(71) Applicant: **Michael Hoffman**, Tel-Aviv, IL (US)

(72) Inventor: **Michael Hoffman**, Tel-Aviv, IL (US)

(\*\*) Term: **14 Years**

(21) Appl. No.: **29/479,099**

(22) Filed: **Jan. 12, 2014**

(51) **LOC (10) Cl.** ..... **15-05**

(52) **U.S. Cl.**  
USPC ..... **D32/1**

(58) **Field of Classification Search**  
USPC ..... D32/1, 15-16, 19-20, 22  
CPC ..... A47L 11/4069; A47L 11/4038; A47L  
11/4075

See application file for complete search history.

(56) **References Cited**

**U.S. PATENT DOCUMENTS**

D572,212 S *	7/2008	Taylor et al.	.....	D13/184
D626,461 S *	11/2010	Barrios et al.	.....	D12/101
7,943,040 B2 *	5/2011	Taylor et al.	.....	210/167.3
D685,540 S *	7/2013	Yao	.....	D32/1
D688,839 S *	8/2013	Helm et al.	.....	D32/1
D701,357 S *	3/2014	Barrios et al.	.....	D32/1
D731,125 S *	6/2015	Wiekens	.....	D32/1

D731,707 S *	6/2015	Grabes et al.	.....	D28/44
2010/0307984 A1 *	12/2010	Mortensen et al.	.....	210/704
2011/0253179 A1 *	10/2011	Barrios et al.	.....	134/115 R

\* cited by examiner

*Primary Examiner* — T. Chase Nelson  
*Assistant Examiner* — Michelle E Wilson

(57) **CLAIM**

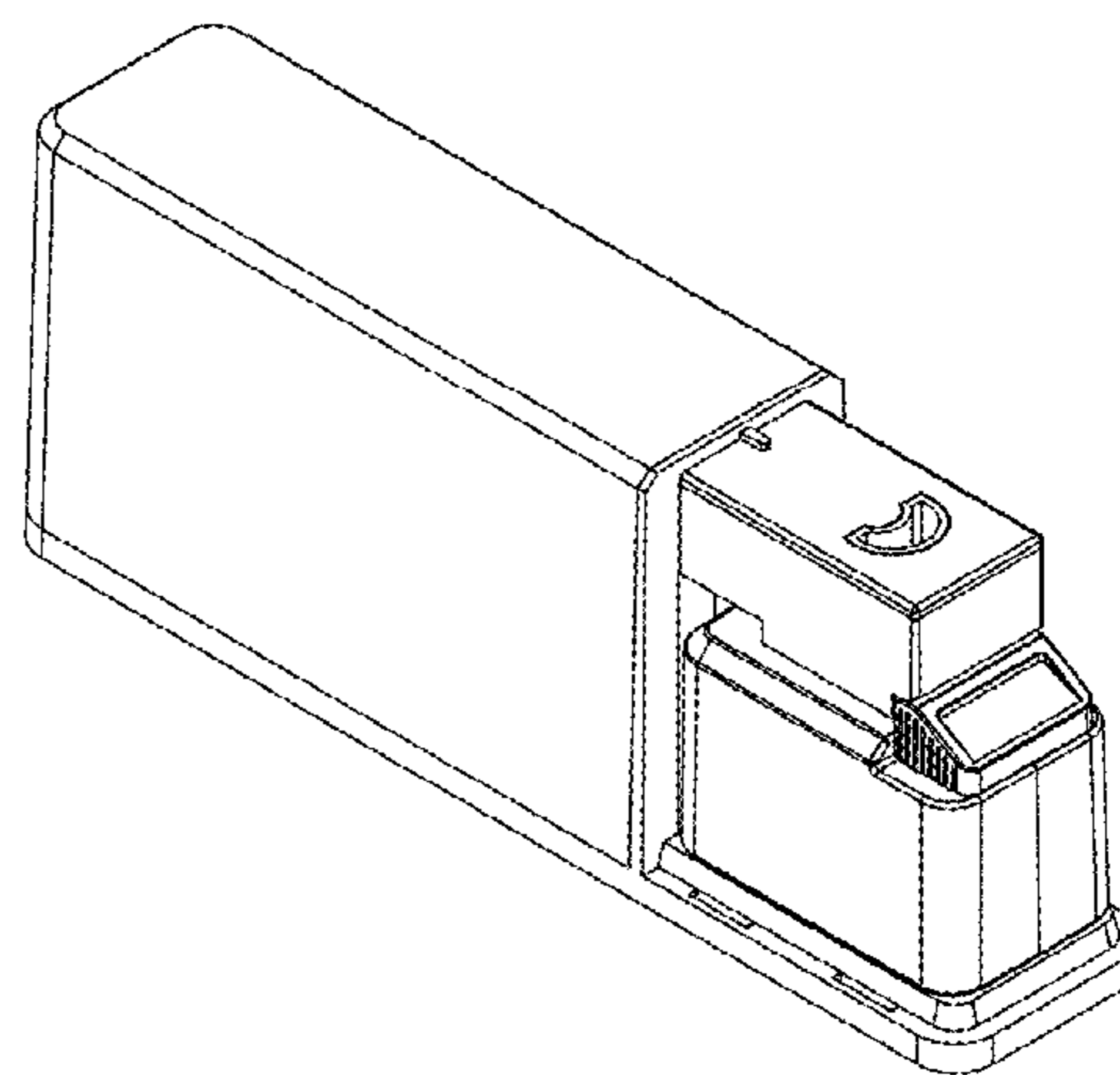
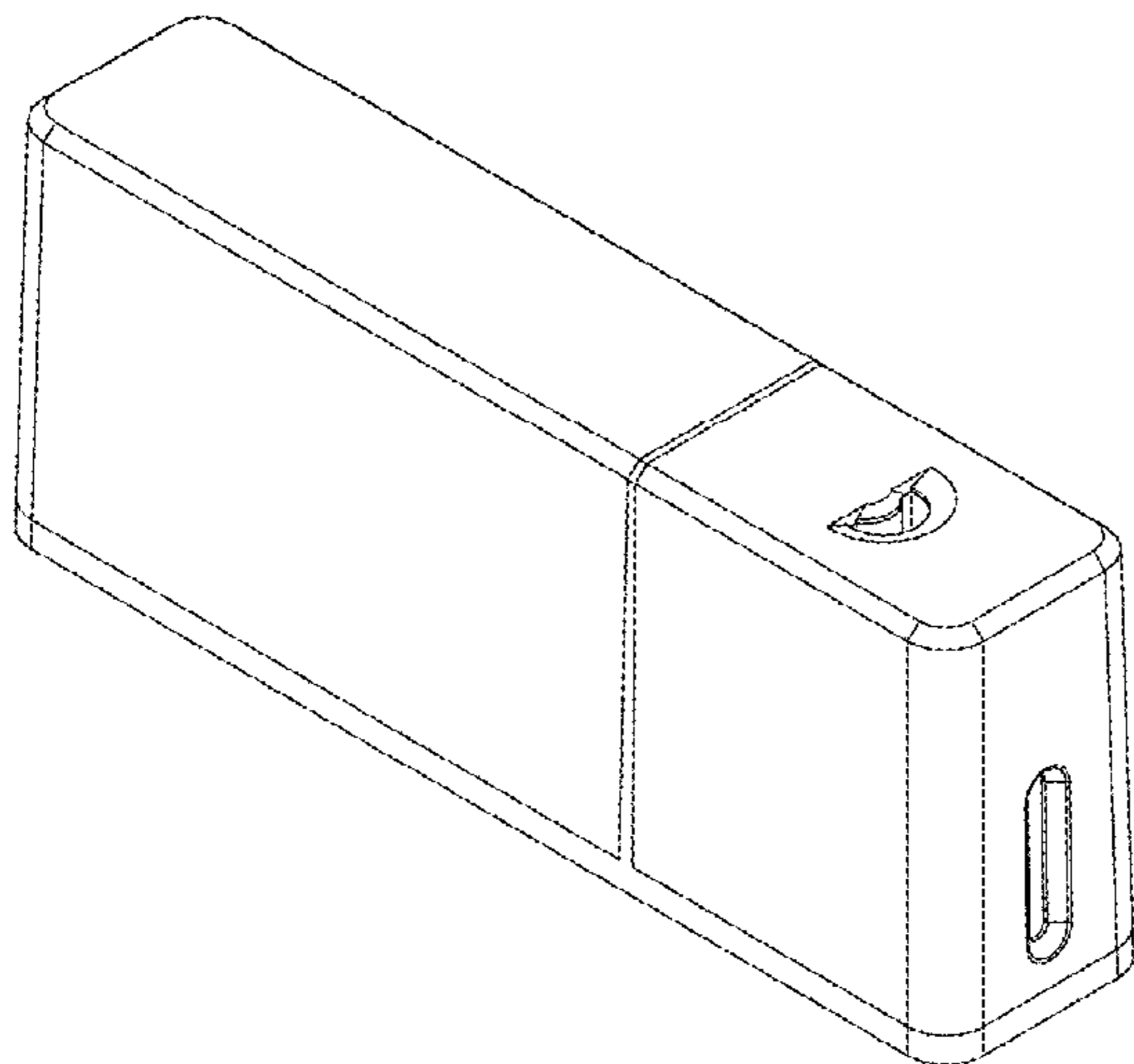
The ornamental design for an environmental cleaning device, as shown and described.

**DESCRIPTION**

FIG. 1 is a front perspective view of an environmental cleaning device in a closed configuration;  
 FIG. 2 is a rear perspective view thereof;  
 FIG. 3 is top view thereof;  
 FIG. 4 is a front view thereof;  
 FIG. 5 is a side view thereof;  
 FIG. 6 is a rear view thereof;  
 FIG. 7 is a bottom view thereof;  
 FIG. 8 is front perspective view of an environmental cleaning device in an open configuration showing the cartridge;  
 FIG. 9 is a rear perspective view of FIG. 8;  
 FIG. 10 is a top view of FIG. 8;  
 FIG. 11 is a side view of FIG. 8; and,  
 FIG. 12 is a front view of FIG. 8.

The broken lines represent portions of the environmental cleaning device that form no part of the claimed design.

**1 Claim, 12 Drawing Sheets**



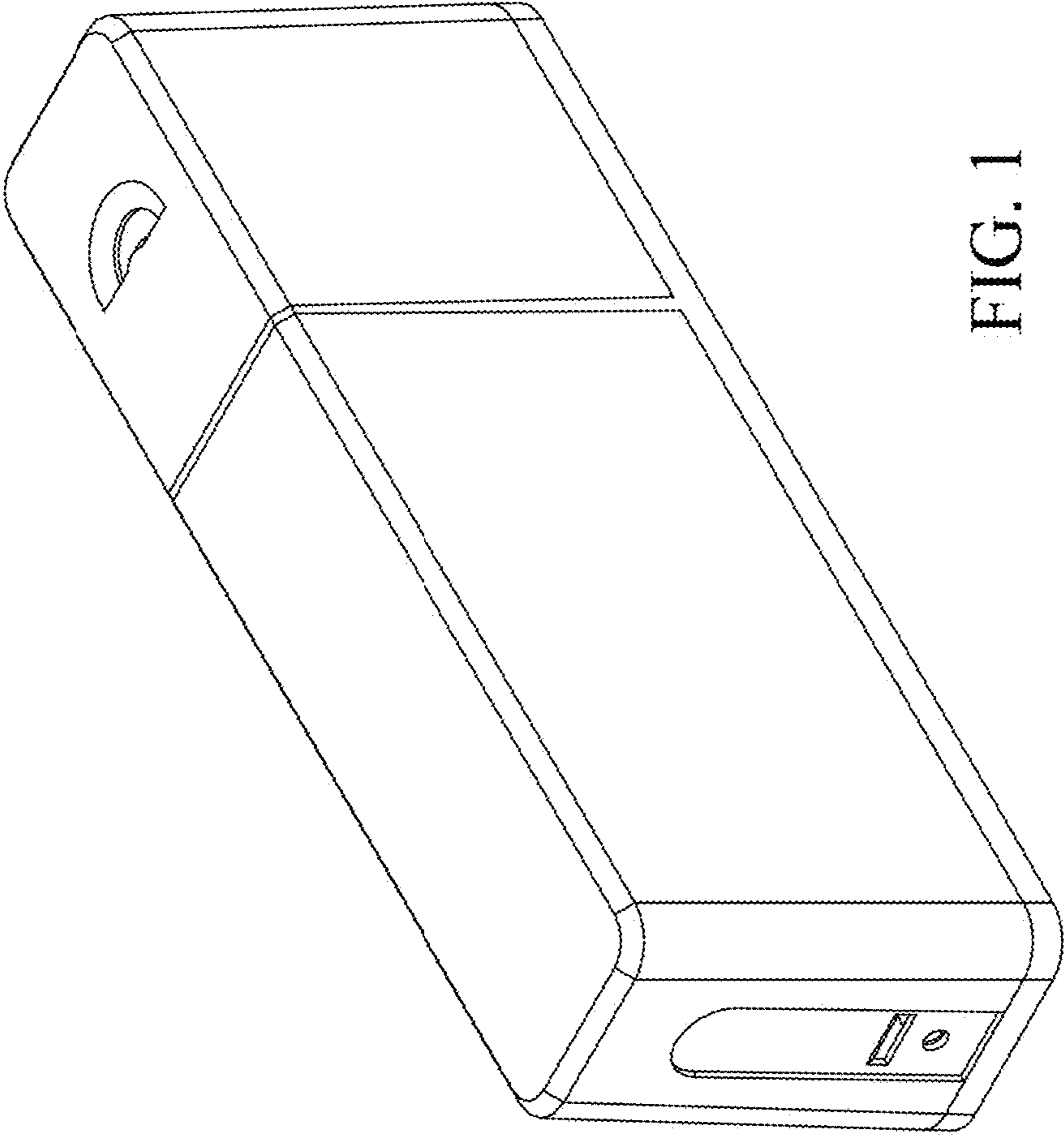


FIG. 1

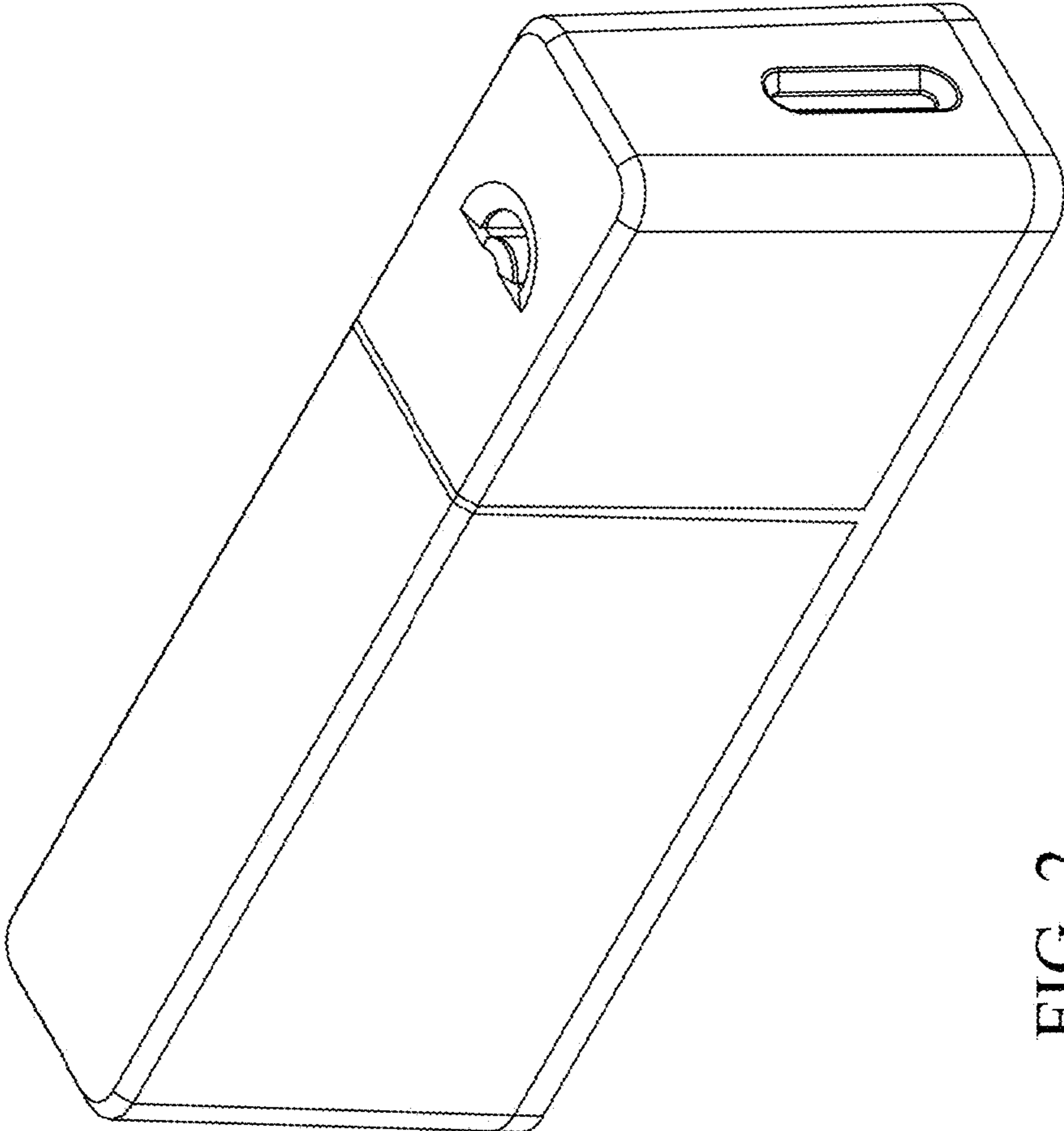


FIG. 2

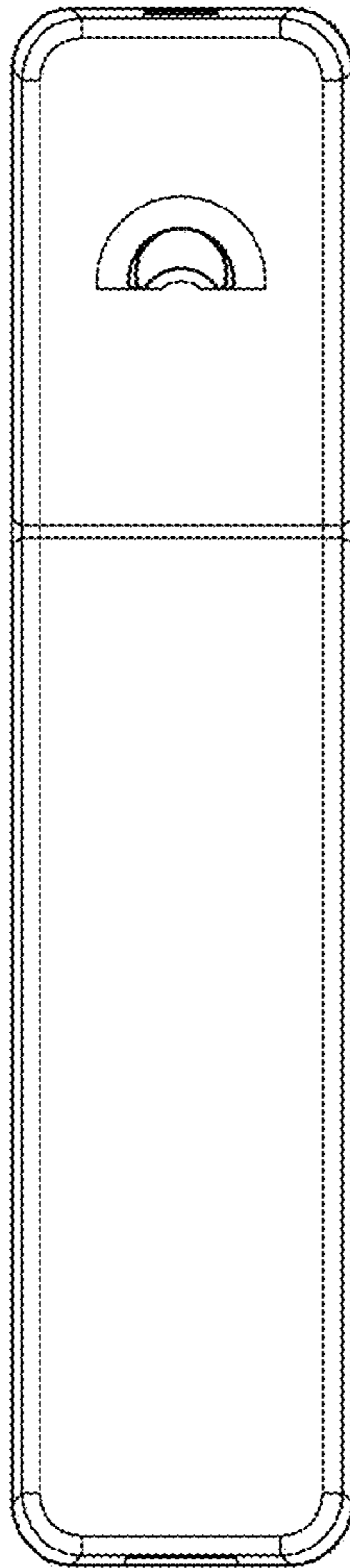


FIG. 3

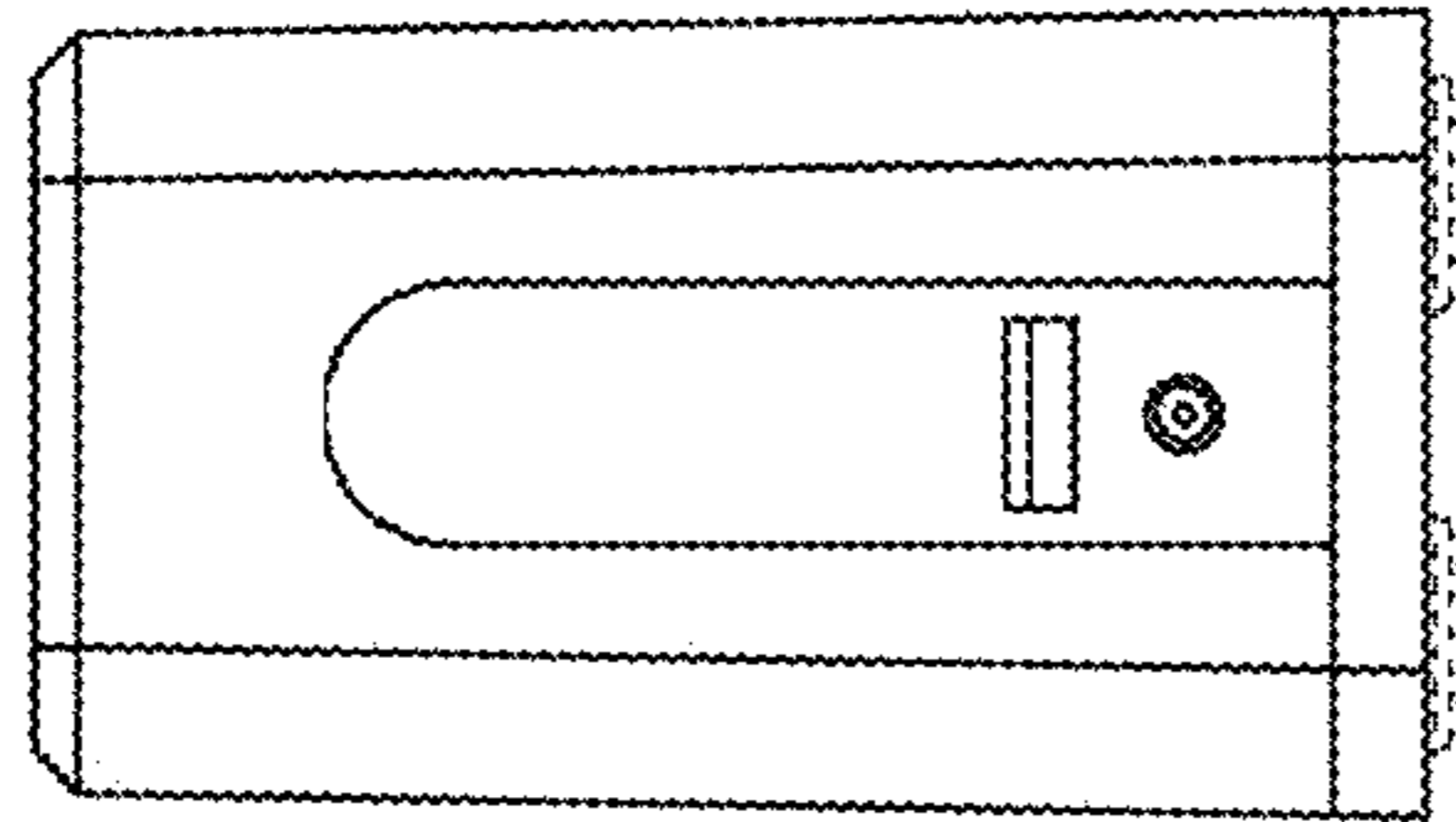


FIG. 4

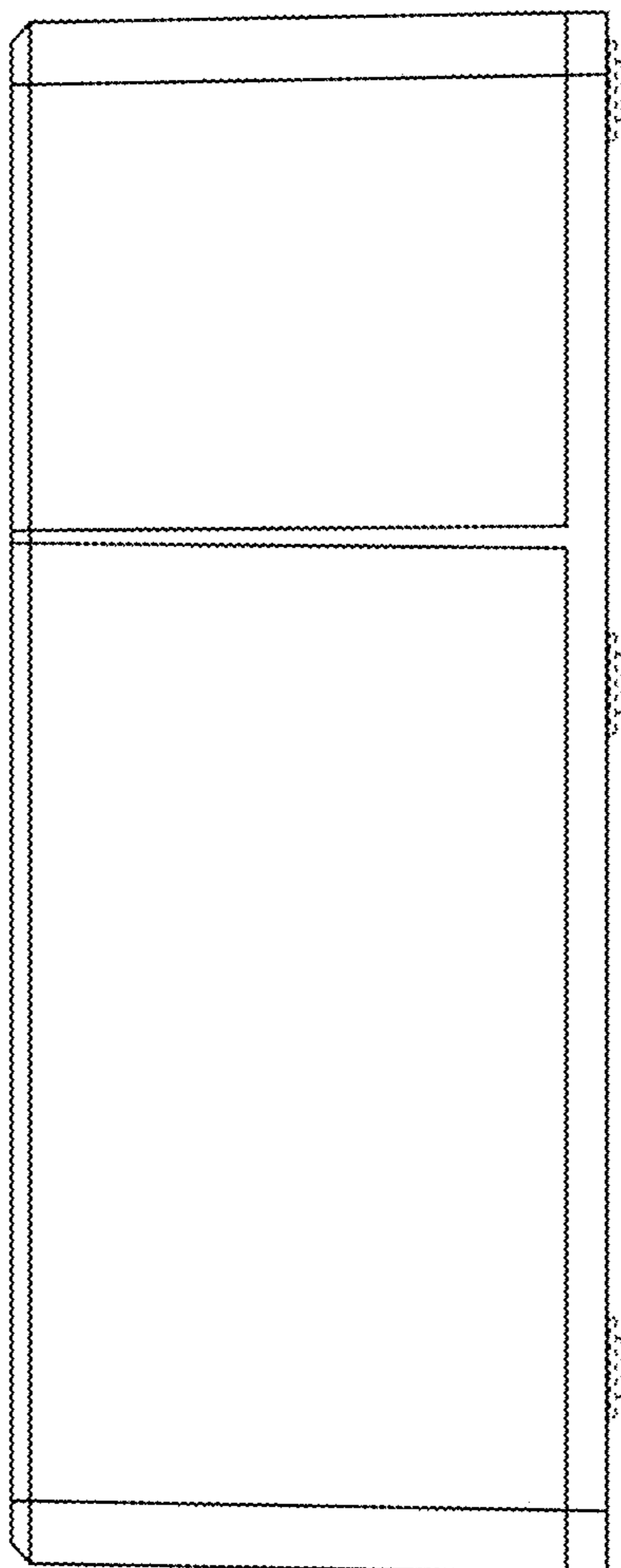


FIG. 5

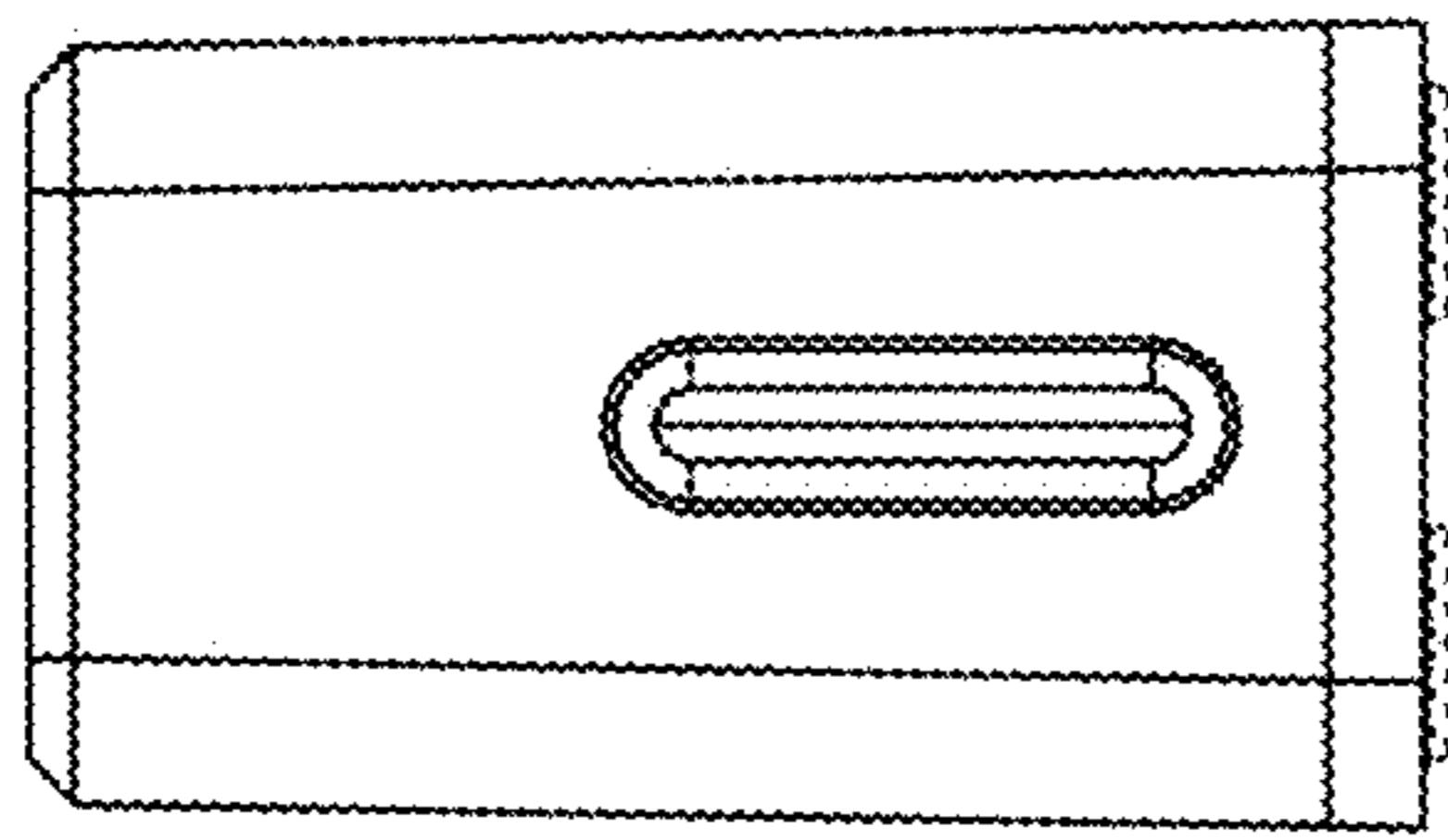


FIG. 6

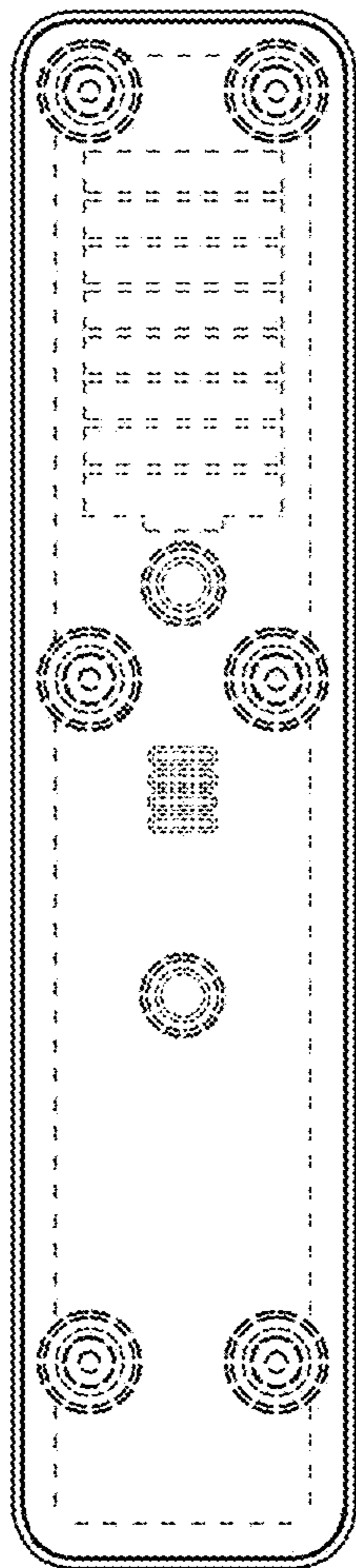


FIG. 7



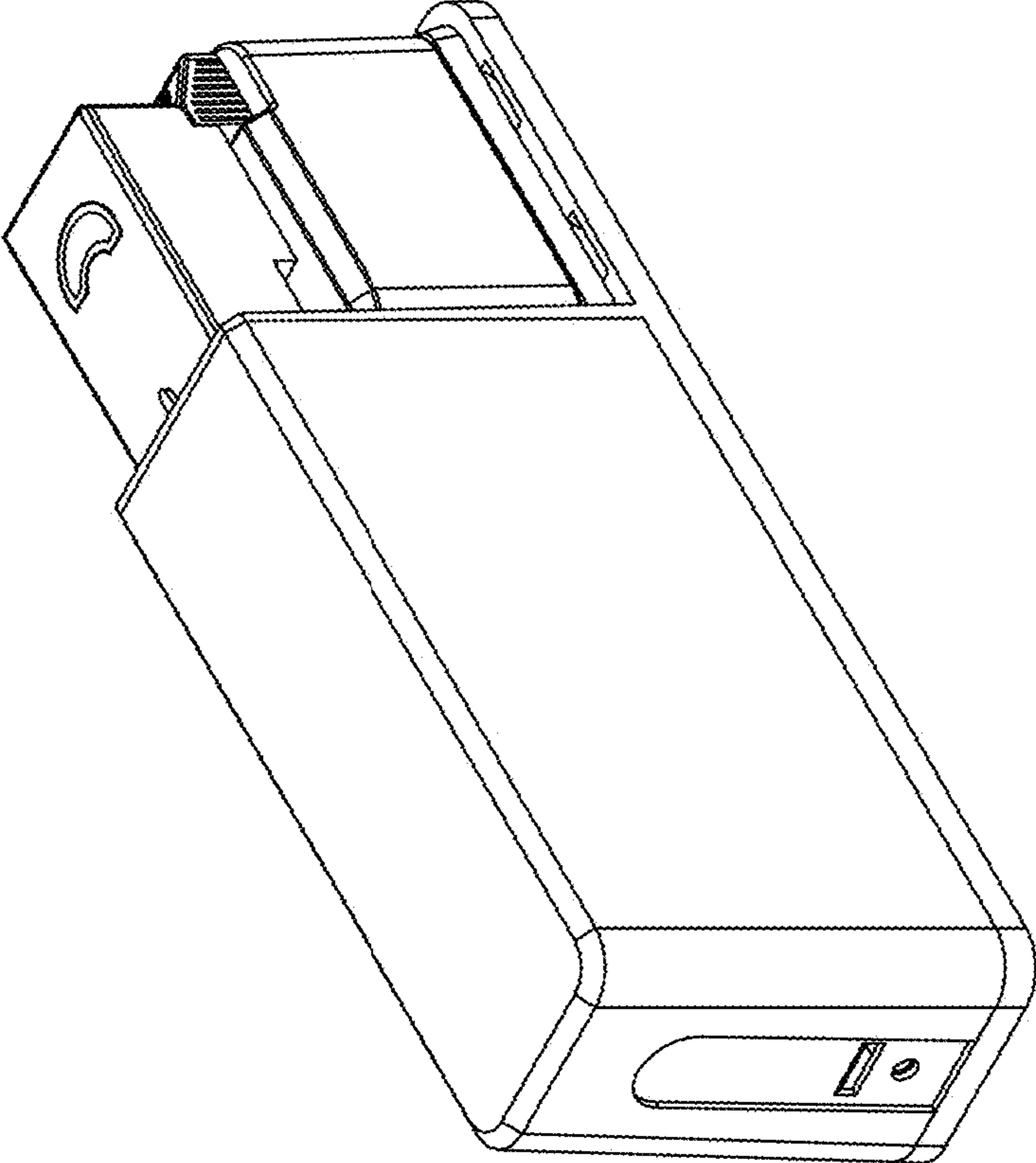


FIG. 8

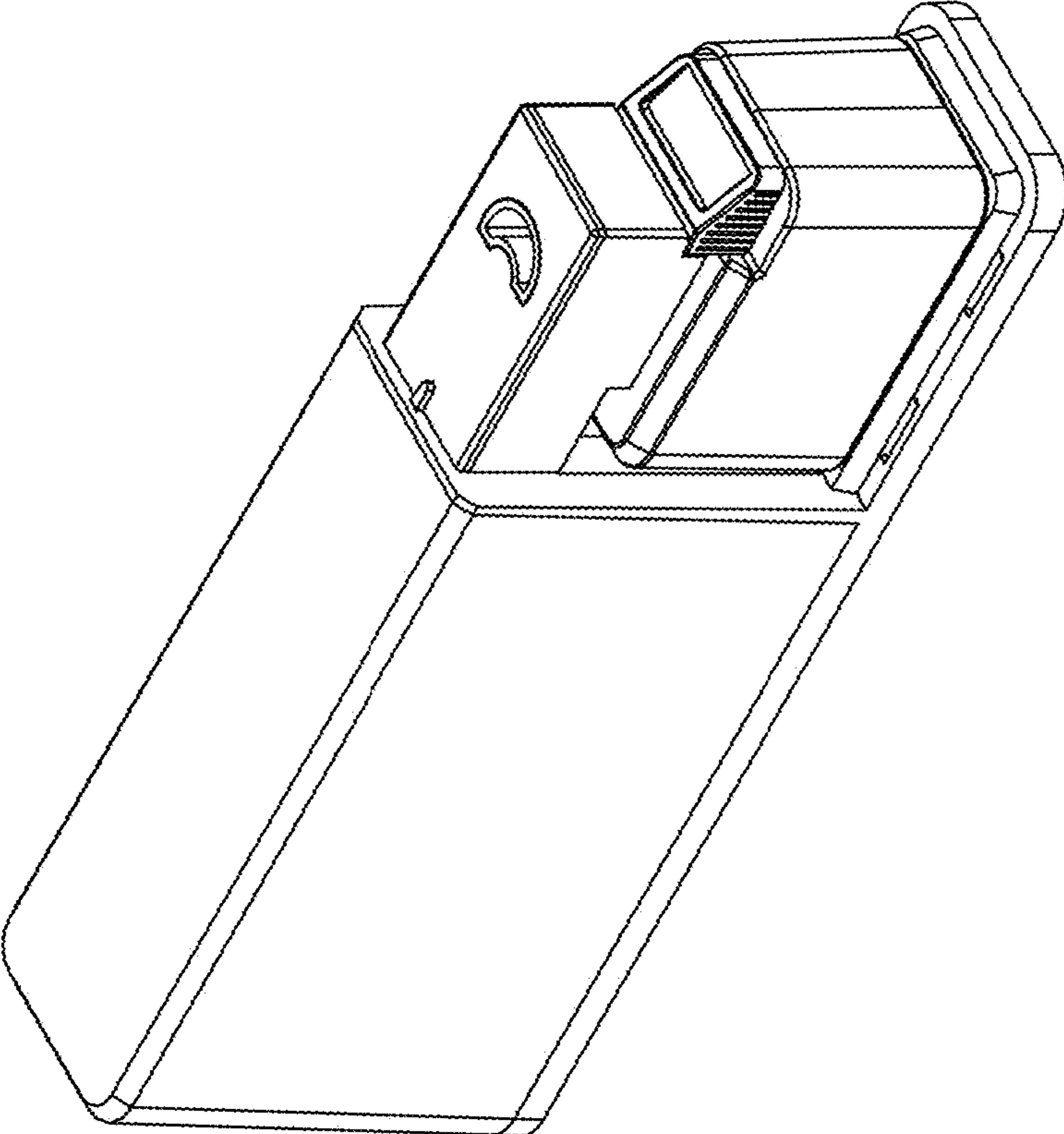


FIG. 9

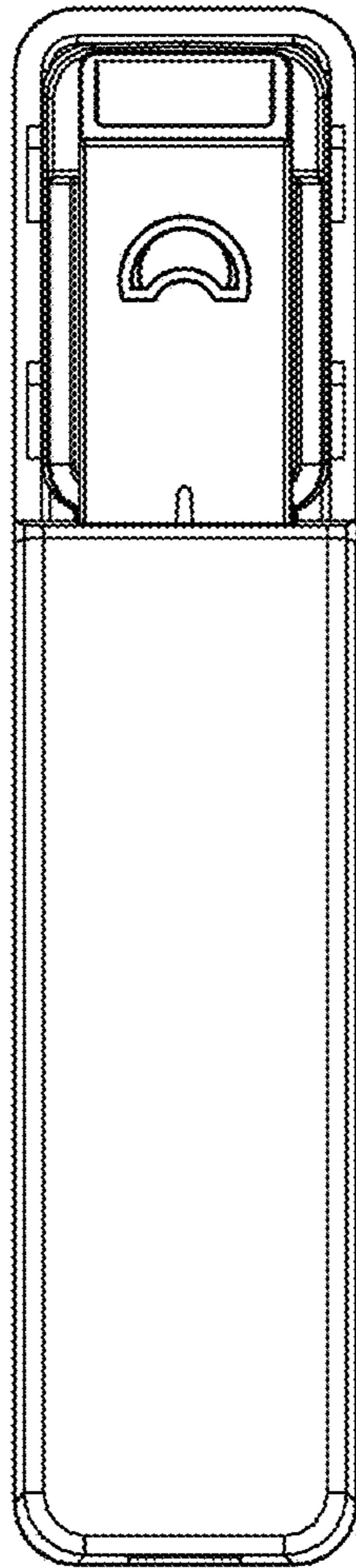


FIG. 10

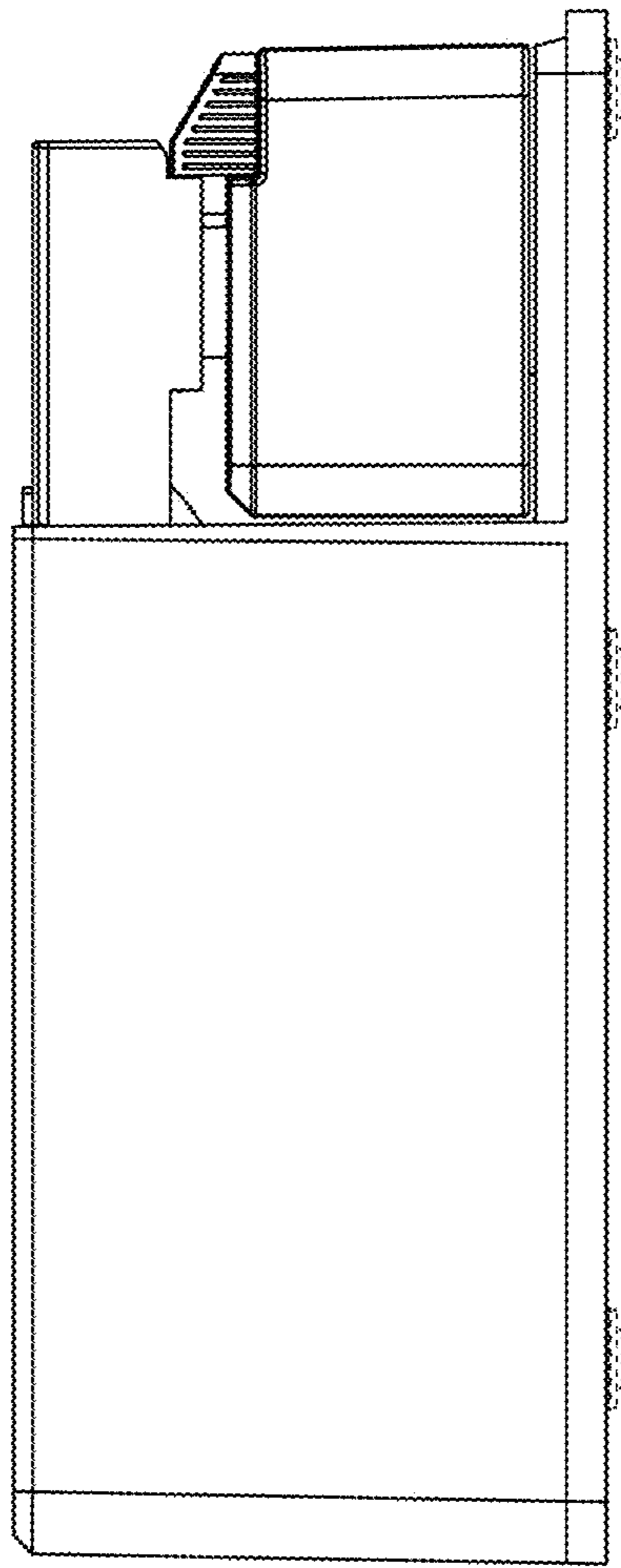


FIG. 11

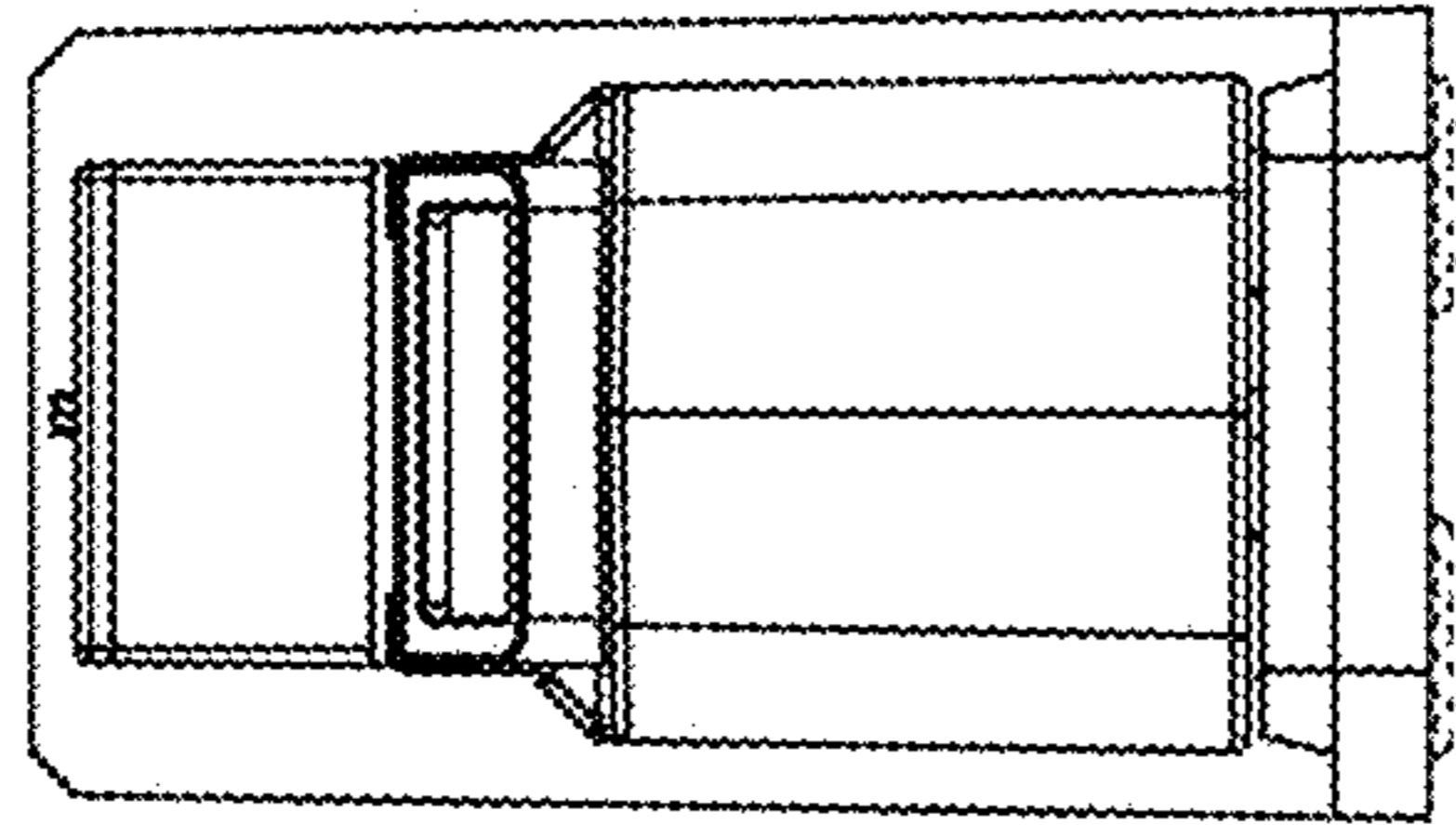


FIG. 12