



US00D747565S

(12) **United States Design Patent**
Beckley

(10) **Patent No.:** **US D747,565 S**

(45) **Date of Patent:** **** Jan. 12, 2016**

(54) **PET DISCO BALL TOY**

(71) Applicant: **Alan Beckley**, Plano, TX (US)

(72) Inventor: **Alan Beckley**, Plano, TX (US)

(**) Term: **14 Years**

(21) Appl. No.: **29/480,958**

(22) Filed: **Jan. 30, 2014**

(51) **LOC (10) Cl.** **30-99**

(52) **U.S. Cl.**
USPC **D30/160**

(58) **Field of Classification Search**
USPC D30/160; D21/386, 712-713;
D24/194-195; 119/702, 707-711;
273/154; 446/175, 219, 242, 324,
446/484-485, 488; 473/281, 570-571,
473/594-596, 614; 482/44-45, 110;
D26/38, 51, 104

See application file for complete search history.

(56) **References Cited**

U.S. PATENT DOCUMENTS

1,483,165	A *	2/1924	Washington	D30/160
2,086,631	A *	7/1937	Munro	119/711
2,975,823	A *	3/1961	Ponnock	156/245
3,073,598	A *	1/1963	Tiikkainen	446/324
D287,988	S *	1/1987	Billinghurst	D21/713
4,930,776	A *	6/1990	Newcomb et al.	473/570
4,991,847	A *	2/1991	Rudell et al.	473/594
D329,393	S *	9/1992	Hawkins, III	D10/106.4
6,012,997	A *	1/2000	Mason	473/594
D459,404	S *	6/2002	Perez	D21/713

6,578,527	B1 *	6/2003	Mathers	119/707
6,666,782	B1 *	12/2003	Wu	473/570
6,723,013	B2 *	4/2004	Ilcisin et al.	473/570
D494,716	S *	8/2004	Chang	D30/160
6,908,662	B2 *	6/2005	Pearce	473/571
7,074,106	B1 *	7/2006	Deutsch et al.	446/175
D539,367	S *	3/2007	Jones	D21/713
7,367,283	B2 *	5/2008	Aboujaoude et al.	119/707
D642,339	S *	7/2011	Levin et al.	D30/160
8,196,550	B2 *	6/2012	Levin et al.	119/707
8,201,521	B2 *	6/2012	Shirley	119/708
2009/0314221	A1 *	12/2009	Wang	119/707

* cited by examiner

Primary Examiner — Cathy Anne MacCormac

(74) *Attorney, Agent, or Firm* — Jeffrey Roddy

(57) **CLAIM**

The ornamental design for the pet disco ball toy, as shown and described.

DESCRIPTION

FIG. 1 is a perspective view of a pet disco ball toy;

FIG. 2 is a top view thereof;

FIG. 3 is a bottom view thereof;

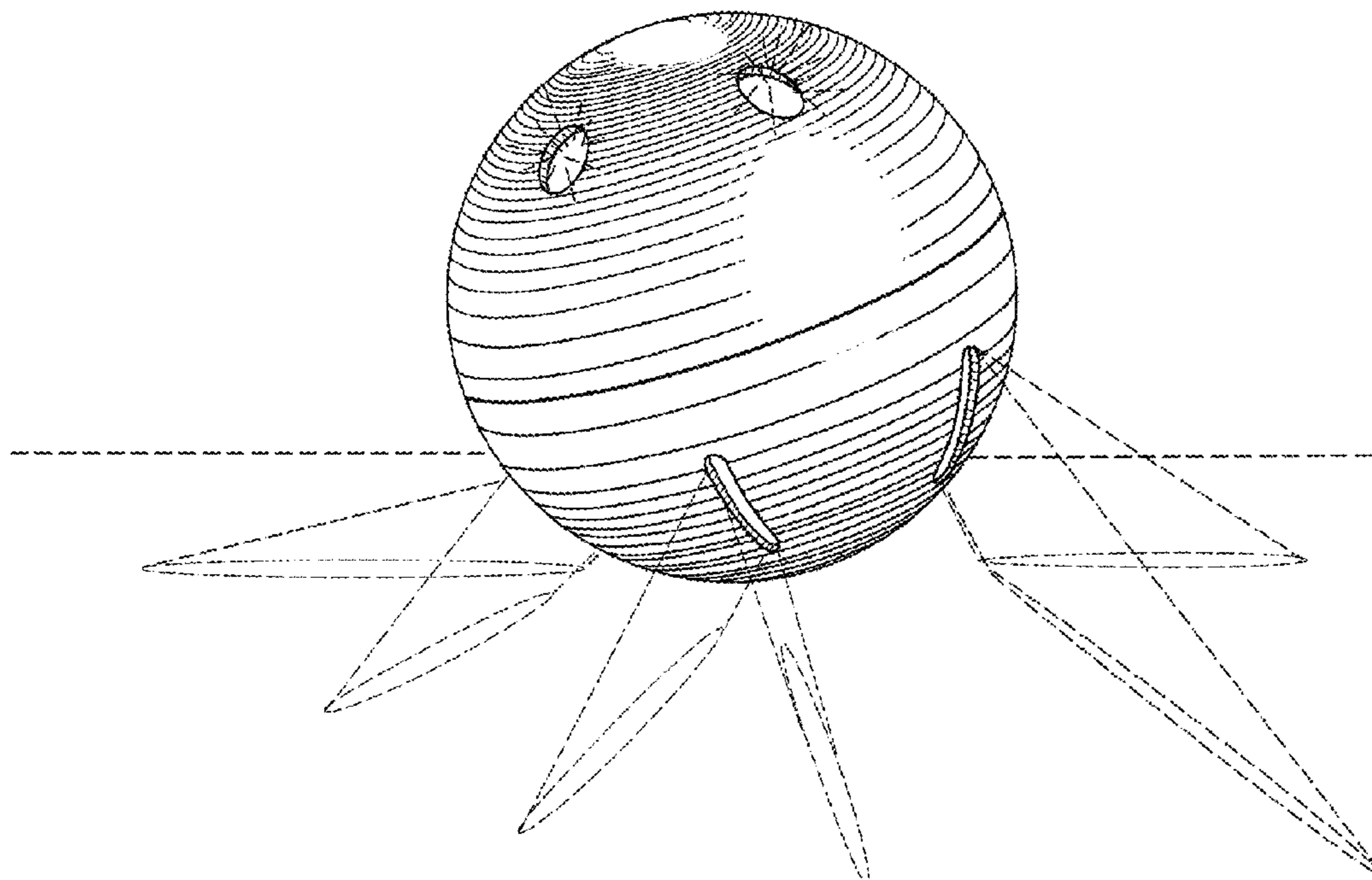
FIG. 4 is a perspective view thereof;

FIG. 5 is another top view thereof; and,

FIG. 6 is another bottom view thereof.

The dashed lines in FIGS. 4-6 depicting a flat surface and rays of light exiting the ball depict environmental subject matter and form no part of the claimed design. The elliptical and slotted apertures on each half of the sphere are evenly spaced about their half of the ball.

1 Claim, 3 Drawing Sheets



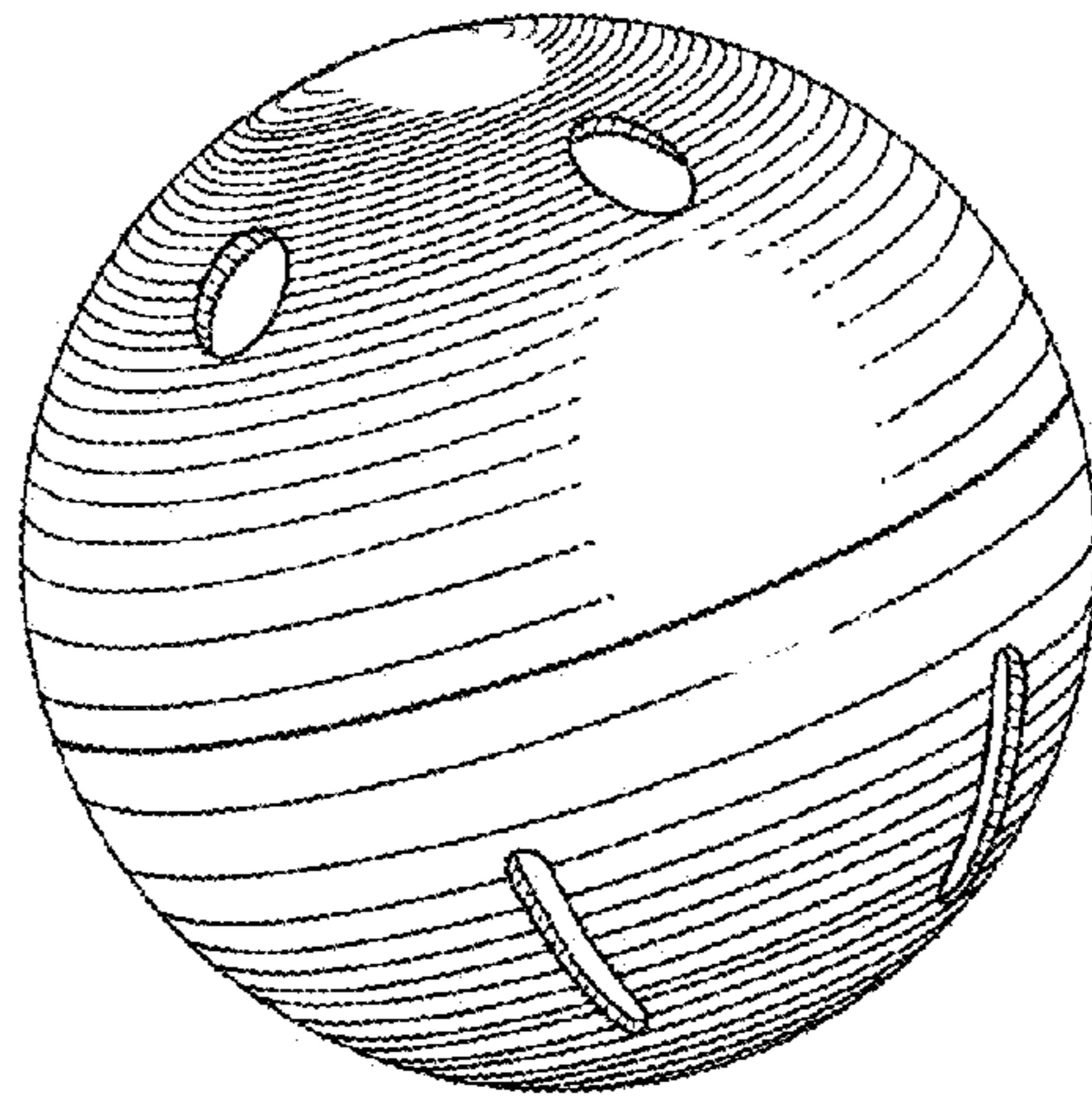


FIG. 1

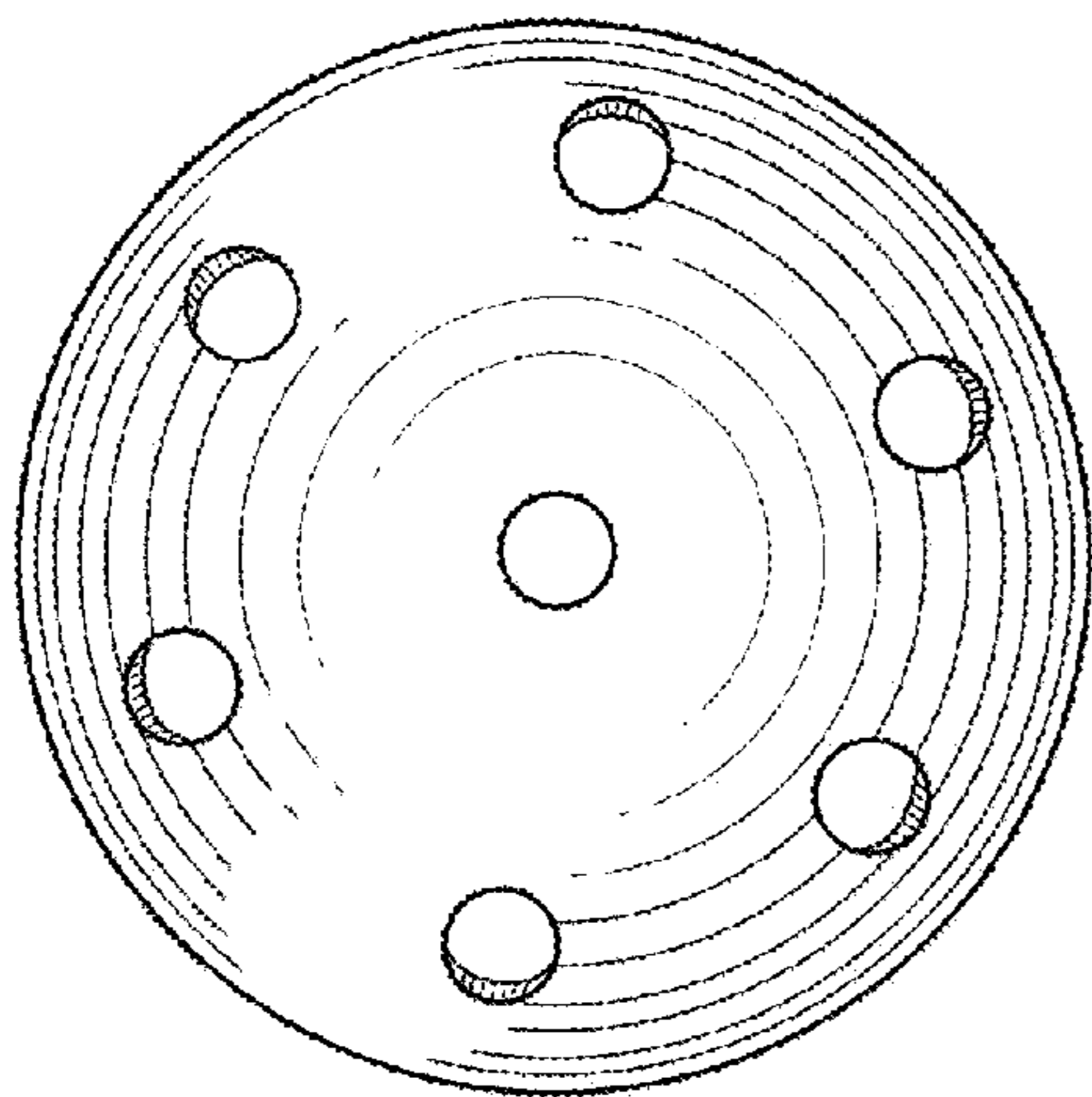


FIG. 2

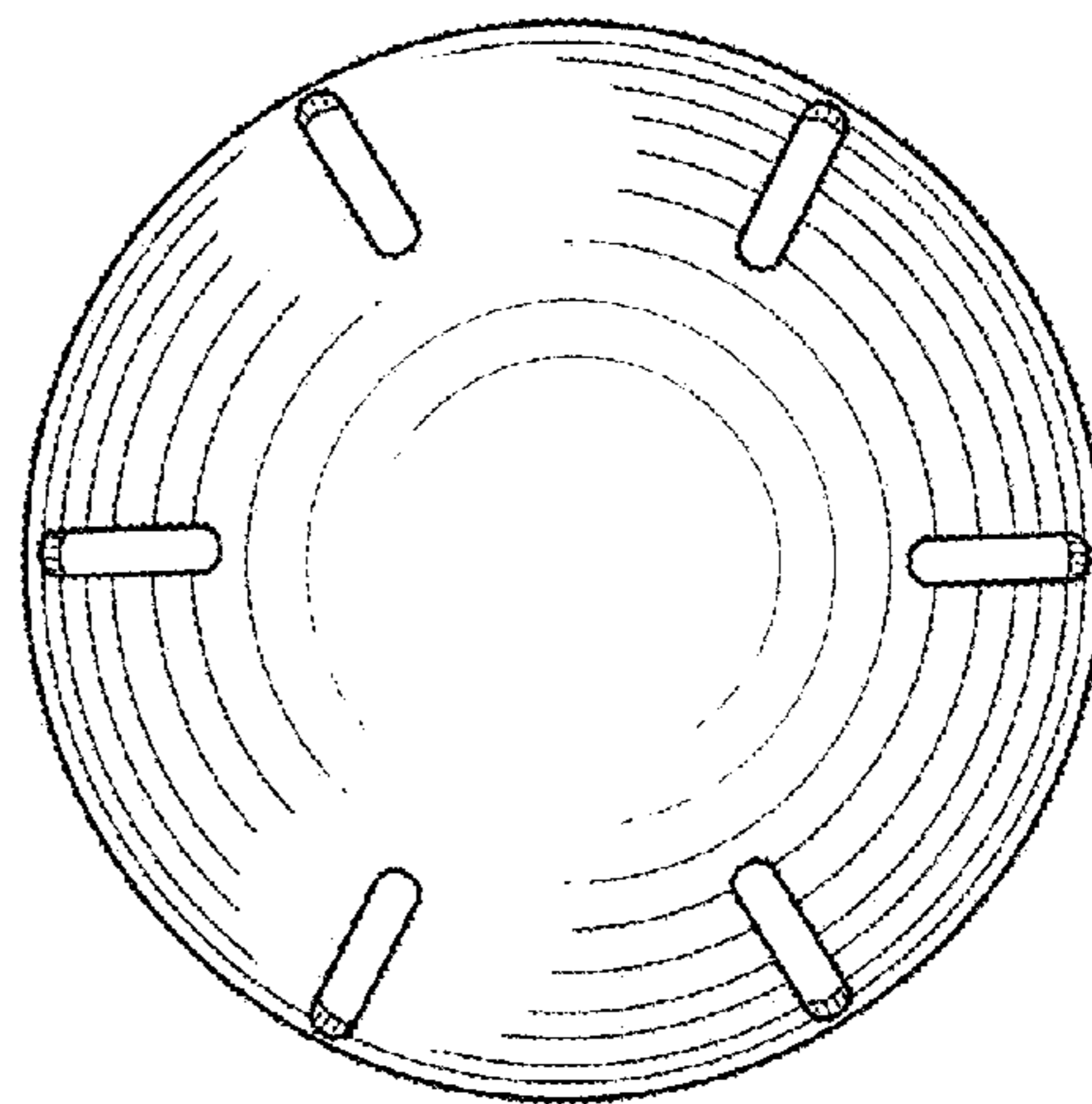


FIG. 3

FIG. 4

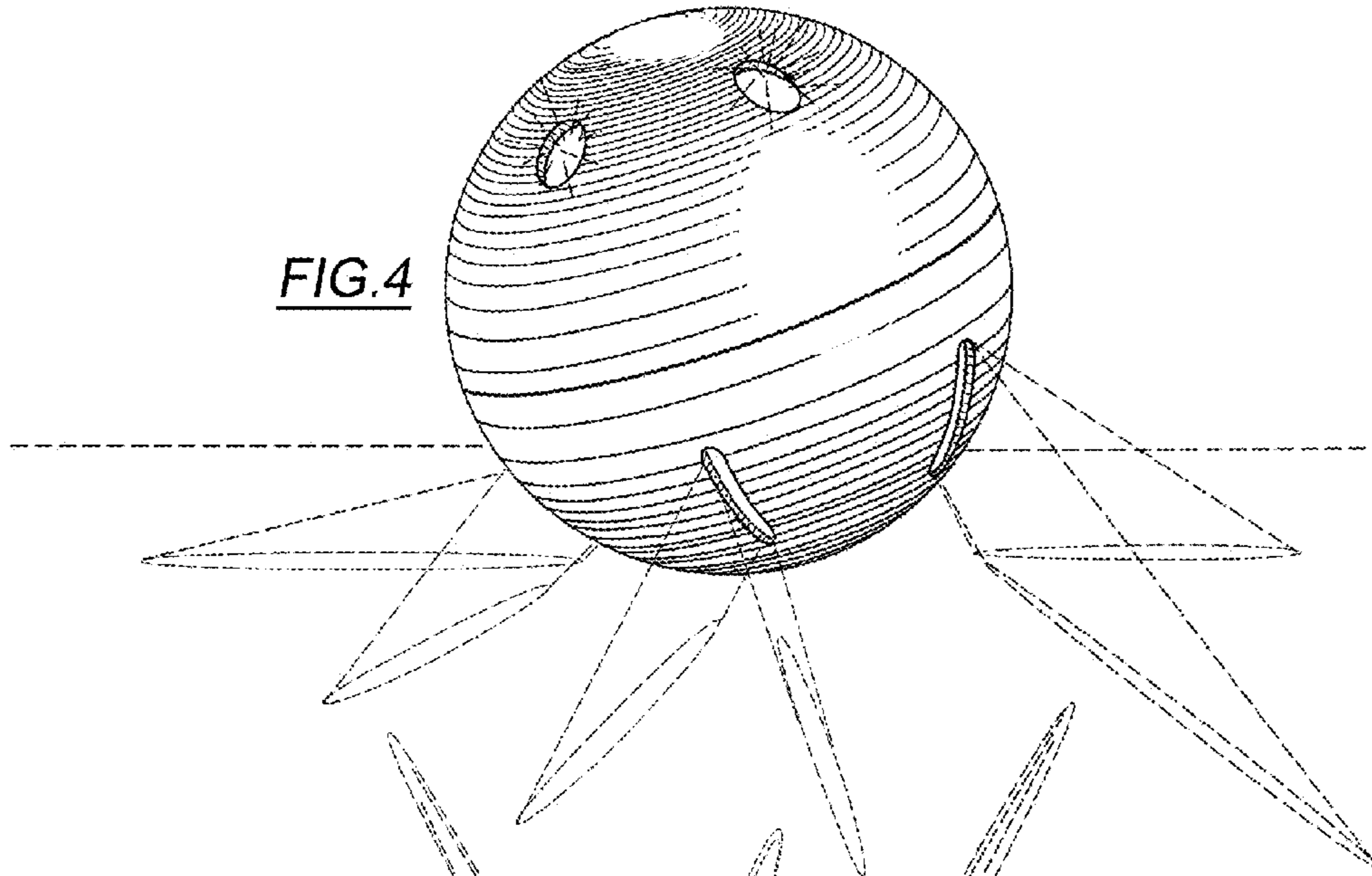
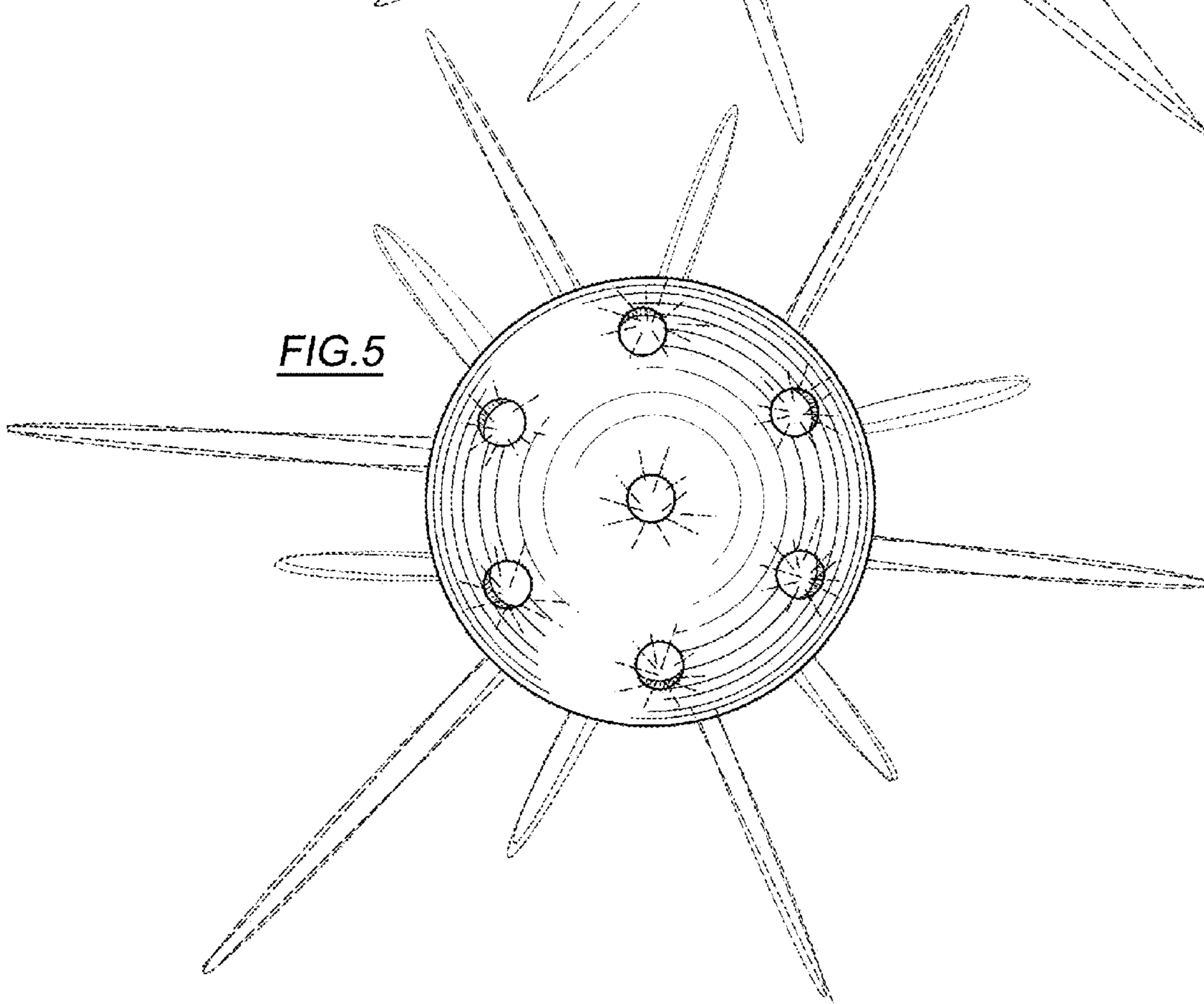


FIG. 5



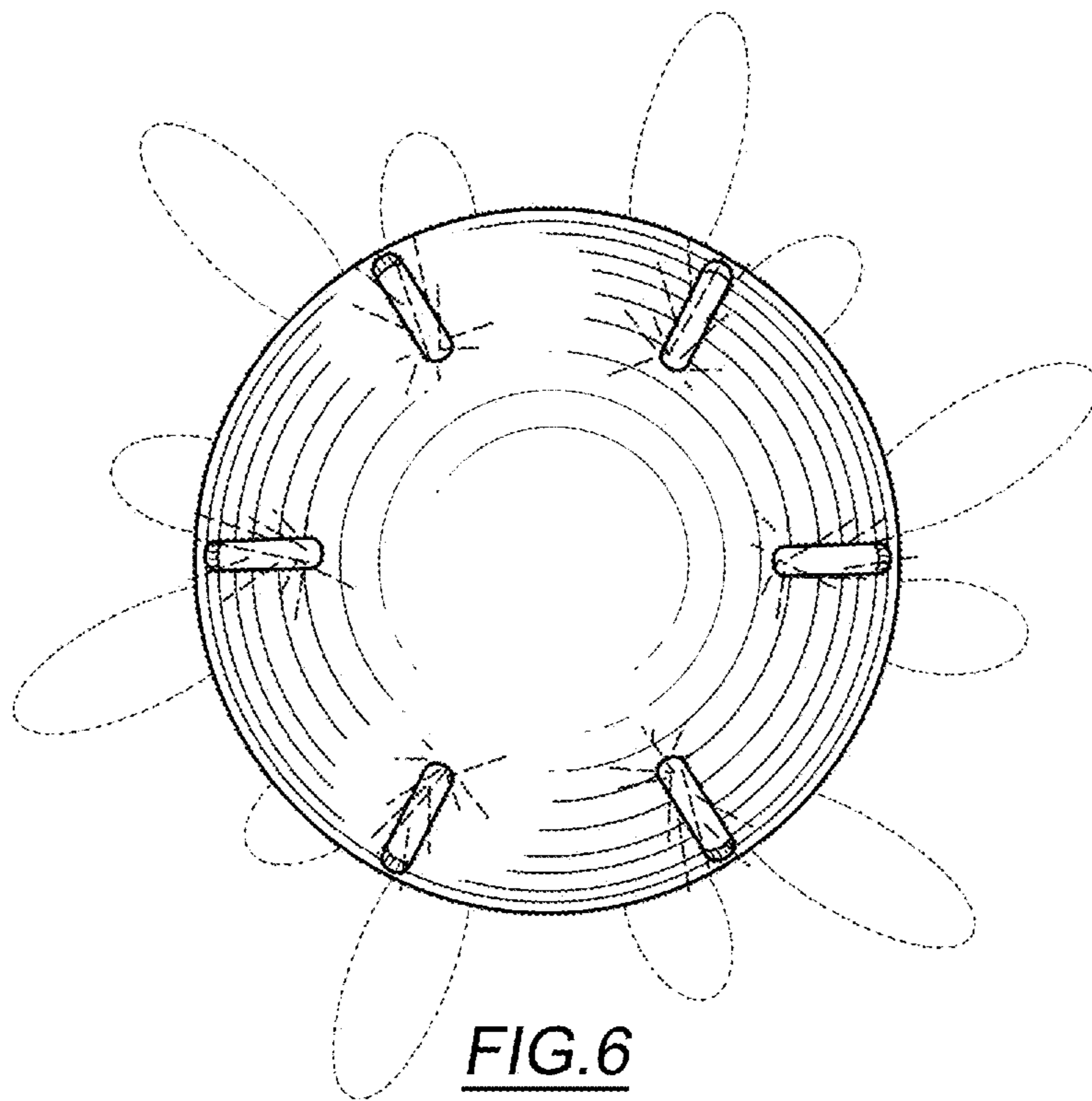


FIG. 6