



US00D747563S

(12) **United States Design Patent**  
**McDermott et al.**

(10) **Patent No.:** **US D747,563 S**  
(45) **Date of Patent:** **\*\* Jan. 12, 2016**

(54) **RESISTANT TRAINING DEVICE FOR QUADRUPEDS AND EQUINES**

(71) Applicants: **Jill McDermott**, Bark River, MI (US);  
**Lynda Reese**, South Escanaba, MI (US)

(72) Inventors: **Jill McDermott**, Bark River, MI (US);  
**Lynda Reese**, South Escanaba, MI (US)

(\*\*) Term: **14 Years**

(21) Appl. No.: **29/485,733**

(22) Filed: **Mar. 21, 2014**

(51) **LOC (10) Cl.** ..... **30-01**

(52) **U.S. Cl.**  
USPC ..... **D30/144**

(58) **Field of Classification Search**  
USPC ..... D30/134–157, 199; 119/831, 771, 772,  
119/791–798, 815, 818, 821, 850, 855, 856,  
119/858–860, 863–865, 907, 712; 54/24;  
D2/627, 629; 224/664  
CPC ..... B68B 1/00; B68B 1/04; B68B 1/02;  
B68B 5/00; B68B 11/00; B68B 3/00; B68B  
5/06; A01K 15/027; A63K 3/04; A63K 3/043;  
A63K 3/046  
See application file for complete search history.

(56) **References Cited**

U.S. PATENT DOCUMENTS

252,500	A *	1/1882	Nelson	.....	54/85
261,242	A *	7/1882	Logan	.....	54/85
501,619	A *	7/1893	Hobart et al.	.....	54/24
1,575,515	A *	3/1926	Adams	.....	54/1
3,994,264	A *	11/1976	Flynt	.....	119/815
4,015,405	A *	4/1977	Westlund	.....	54/71
5,167,203	A *	12/1992	Scott et al.	.....	119/771
5,359,964	A *	11/1994	Sporn	.....	119/864
5,896,831	A *	4/1999	Alpert	.....	119/856
6,397,784	B1 *	6/2002	Morgan-Albertson et al.	.....	119/792
6,543,390	B2 *	4/2003	Lowery	.....	119/771
6,564,754	B1 *	5/2003	Cohen	.....	119/856

6,612,265	B1 *	9/2003	Birdsong	.....	119/856
6,679,198	B1 *	1/2004	LaGarde	.....	119/792
6,769,235	B1 *	8/2004	Hayes	.....	54/71
6,837,187	B2 *	1/2005	Berardo	.....	119/792
D511,596	S *	11/2005	Mugford	.....	D30/152
7,107,939	B2 *	9/2006	Lady	.....	119/792
D564,139	S *	3/2008	Nichols	.....	D30/152
D653,817	S *	2/2012	Klobucnik	.....	D30/152
8,381,688	B1 *	2/2013	Wejrowski	.....	119/792
8,516,978	B2 *	8/2013	Horiuchi	.....	119/792
2007/0089380	A1 *	4/2007	Bechtold	.....	54/24
2012/0311976	A1 *	12/2012	Voigt	.....	54/24
2014/0373793	A1 *	12/2014	McDermott et al.	.....	119/856

\* cited by examiner

*Primary Examiner* — Cynthia Ramirez

*Assistant Examiner* — Gino Colan

(74) *Attorney, Agent, or Firm* — Mandy L. Tran

(57) **CLAIM**

The ornamental design for a resistant training device for quadrupeds and equines, as shown and described.

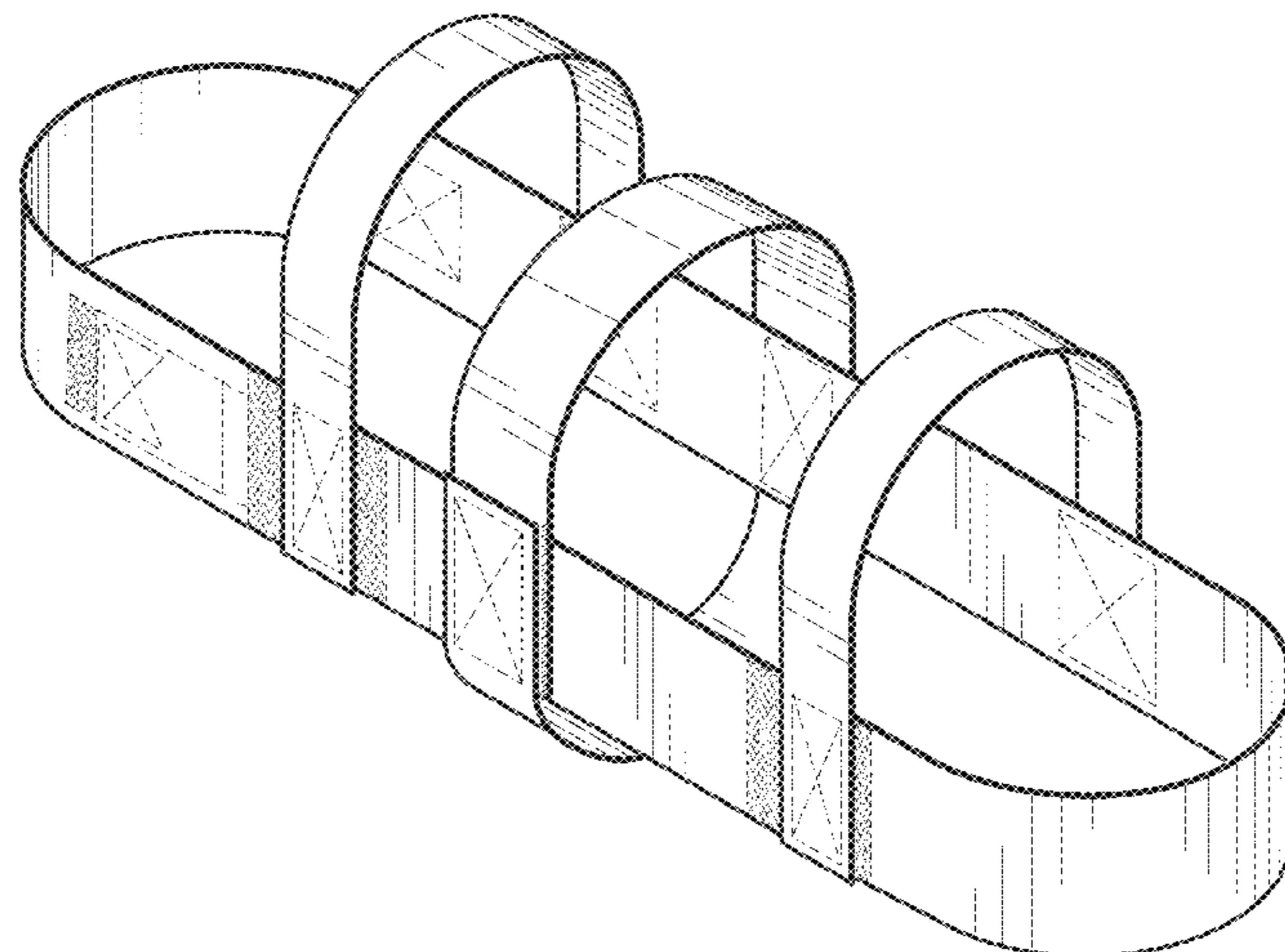
**DESCRIPTION**

A portion of the disclosure of this patent document contains material that is subject to copyright protection. The copyright owner has no objection to the facsimile reproduction by anyone of the patent document or patent disclosure as it appears in the Patent and Trademark office, patent file or records, but otherwise reserves all copyright rights whatsoever.

FIG. 1 is a right top perspective view of the resistant training device for quadrupeds and equines showing our new design; FIG. 2 is a left top perspective view of FIG. 1; and, FIG. 3 is a left bottom perspective view of FIG. 1.

The broken lines shown in the figures are included for the purpose of illustrating portions of the resistant training device for quadrupeds and equines and form no part of the claimed design. The dash lines shown on the resistant training device for quadrupeds and equines forming crosses and rectangles are to depict stitching which is further an unclaimed matter of the device design.

**1 Claim, 3 Drawing Sheets**



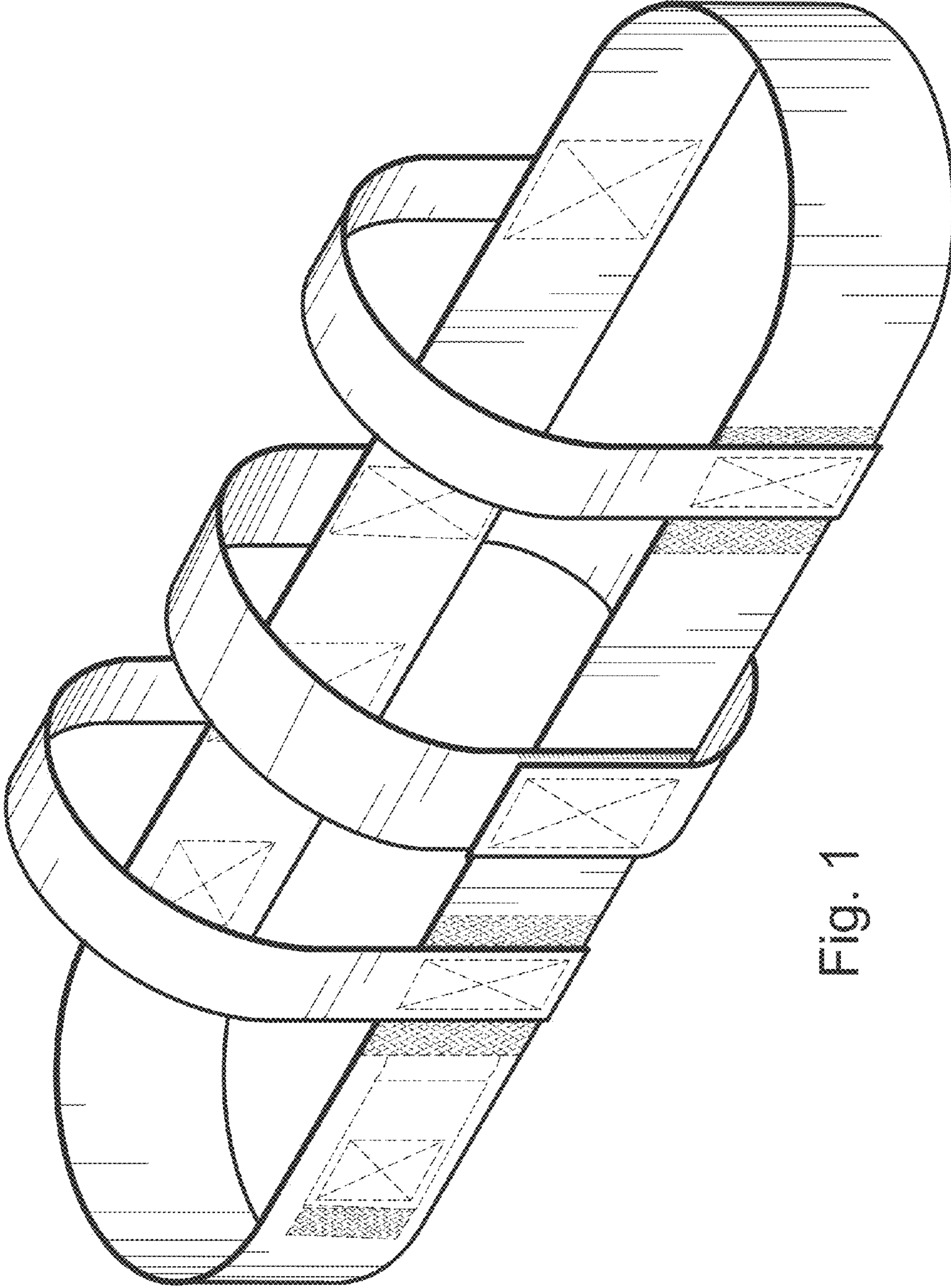


Fig. 1

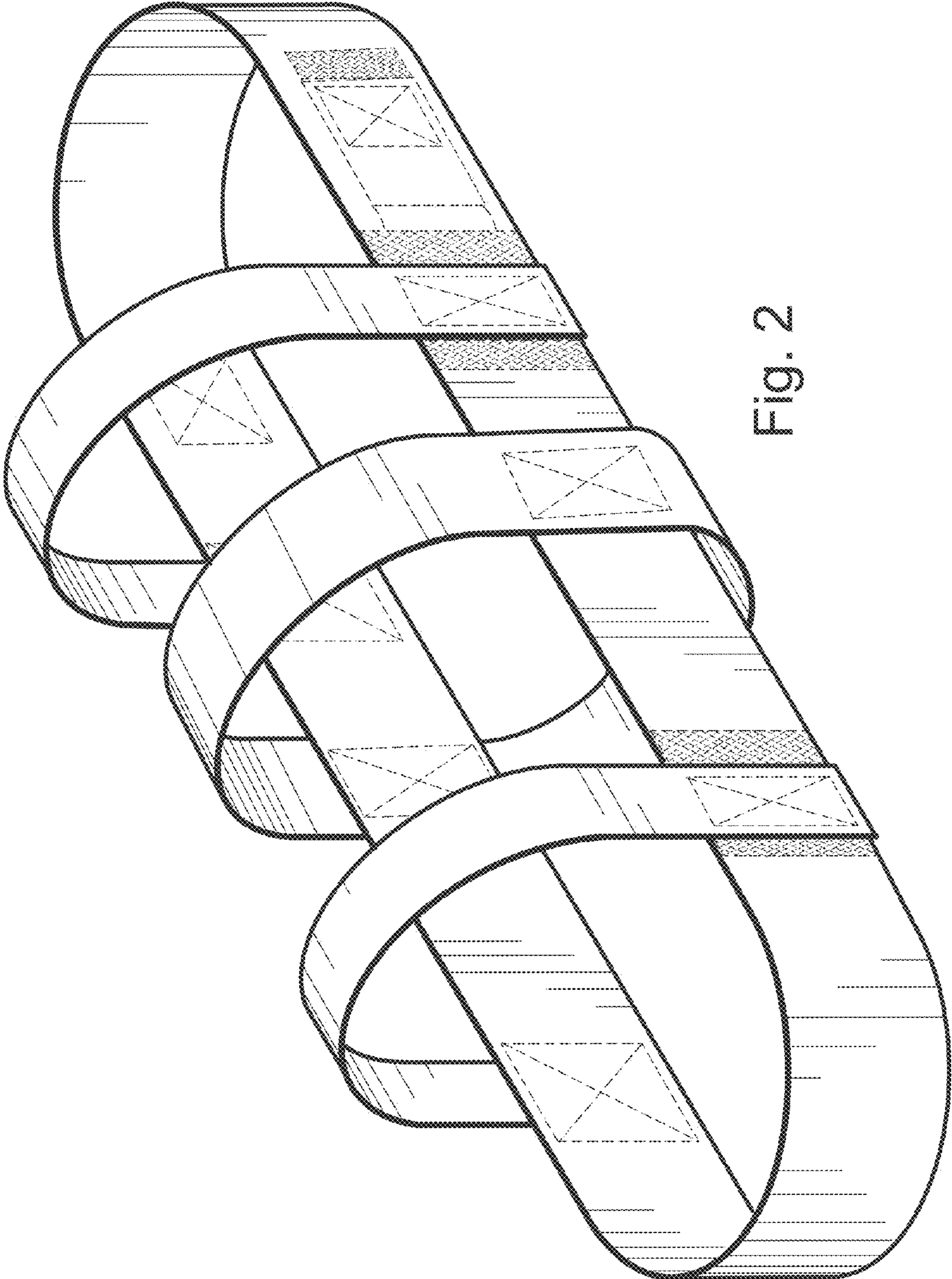


Fig. 2

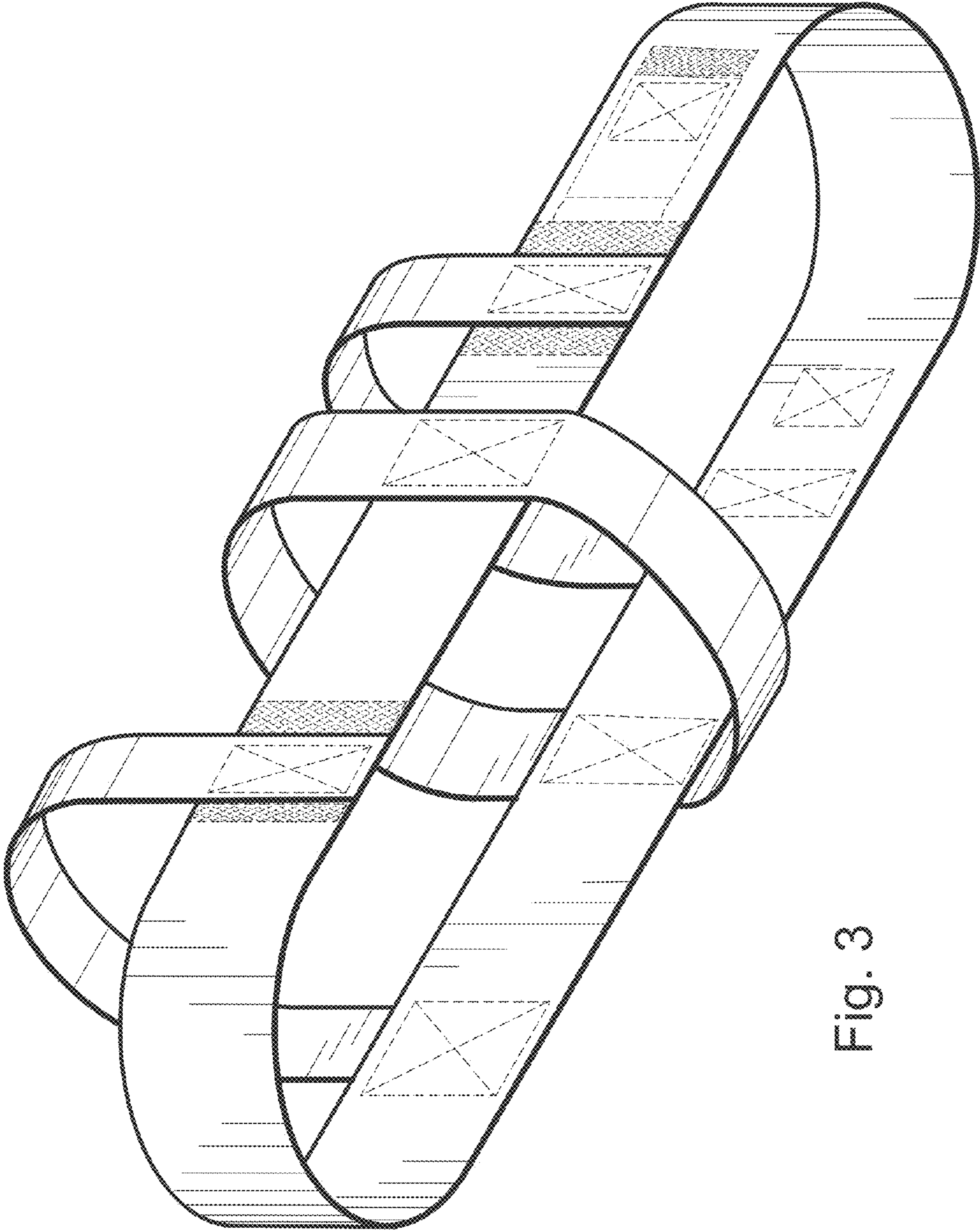


Fig. 3