



US00D747561S

(12) **United States Design Patent**  
**Daniels et al.**

(10) **Patent No.:** **US D747,561 S**  
(45) **Date of Patent:** **\*\* Jan. 12, 2016**

(54) **HELMET BRACKET CONNECTOR END**

(71) Applicant: **3M INNOVATIVE PROPERTIES COMPANY**, St. Paul, MN (US)

(72) Inventors: **Bjorn Daniels**, Vikarbyn (SE); **Mats U. Sernfalt**, Leksand (SE)

(73) Assignee: **3M Innovative Properties Company**, St. Paul, MN (US)

(\*\*) Term: **14 Years**

(21) Appl. No.: **29/492,357**

(22) Filed: **May 30, 2014**

(51) **LOC (10) Cl.** ..... **29-02**

(52) **U.S. Cl.**  
USPC ..... **D29/122**

(58) **Field of Classification Search**  
USPC ..... D29/102-106, 122, 109, 110; D8/399, D8/349, 387, 354, 352, 382, 386, 388, 389, D8/396; D11/200-201, 220  
CPC ..... A63B 71/10; A42B 3/04; A42B 2/20; A42B 13/0017; A42B 19/16; A61F 9/06; F16B 21/06; A41F 1/006  
See application file for complete search history.

(56) **References Cited**

U.S. PATENT DOCUMENTS

3,079,609	A *	3/1963	Hoffmaster	.....	A42B 3/14	2/8.1
D285,044	S *	8/1986	Mockett	.....	D8/349	
D298,476	S *	11/1988	Lonnstedt	.....	D16/334	
4,907,300	A *	3/1990	Dampney	.....	A42B 3/228	2/424
D372,343	S *	7/1996	Palmaer	.....	D29/122	
5,571,217	A *	11/1996	Del Bon	.....	A42B 3/14	2/8.1
D380,959	S *	7/1997	Mitchell	.....	D15/143	
6,041,435	A *	3/2000	Paulson	.....	A42B 3/225	2/10
D443,815	S *	6/2001	Adriaenssens	.....	D4/199	
6,260,197	B1 *	7/2001	Hoogewind	.....	A61F 9/061	

						2/8.3
D452,643	S *	1/2002	Morita	.....	D11/220	
D477,246	S *	7/2003	Takeda	.....	D11/220	
D503,499	S *	3/2005	Howard	.....	D29/122	

(Continued)

FOREIGN PATENT DOCUMENTS

CN	202135768	2/2012
KR	2009-0095145	9/2009
TW	M369144	11/2009

OTHER PUBLICATIONS

U.S. Appl. No. 14/291,506 to Daniels filed May 30, 2014, entitled Earmuff Accommodating Welding Shield.

(Continued)

*Primary Examiner* — Ruth McInroy

(74) *Attorney, Agent, or Firm* — Peter L. Olson

(57) **CLAIM**

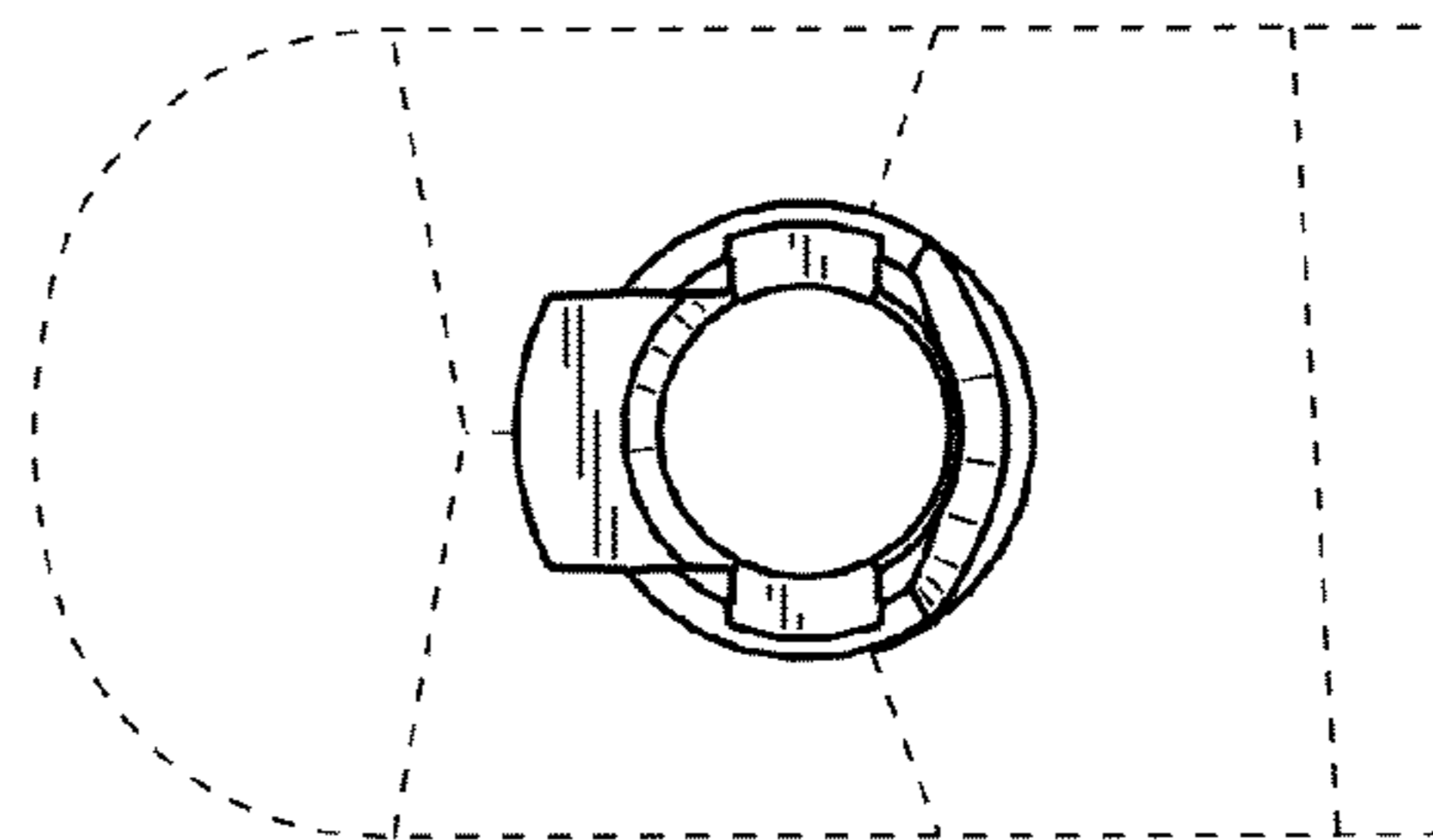
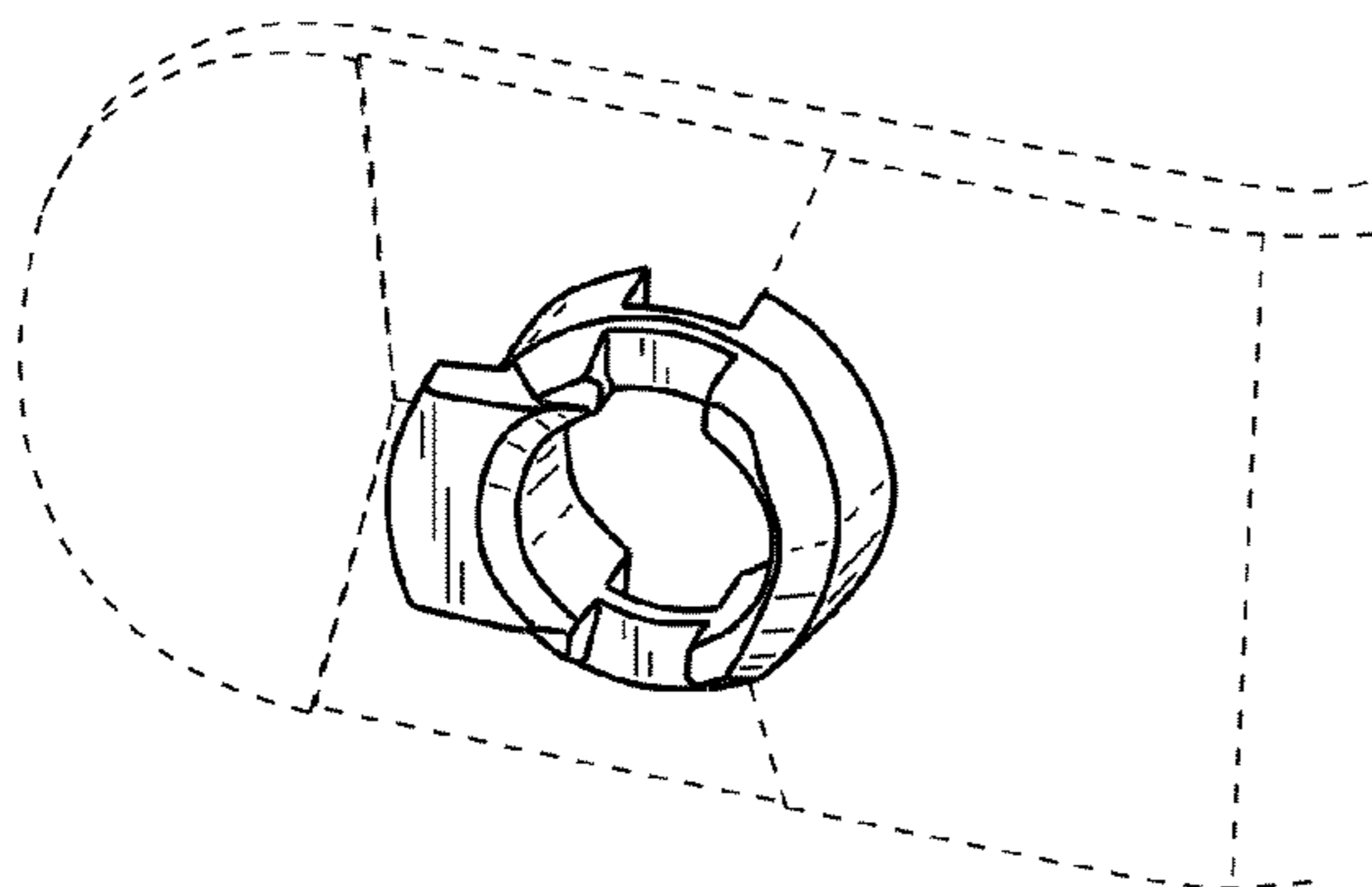
The ornamental design for a helmet bracket connector end, as shown and described.

**DESCRIPTION**

FIG. 1 is a perspective view of a helmet bracket having arrow indicia showing our new design; FIG. 2 is a top view thereof; FIG. 3 is a bottom view thereof; FIG. 4 is a front view thereof; FIG. 5 is a rear view thereof; FIG. 6 is a left side view thereof; and FIG. 7 is a right side view thereof. FIG. 8 is an enlarged view of the circled area in FIG. 1; FIG. 9 is a front view of FIG. 8; FIG. 10 is a right side view of FIG. 8; FIG. 11 is a left side view of FIG. 8; and, FIG. 12 is a top view of FIG. 8.

The details shown in broken lines form no part of the claimed design.

**1 Claim, 3 Drawing Sheets**



(56)

**References Cited**

U.S. PATENT DOCUMENTS

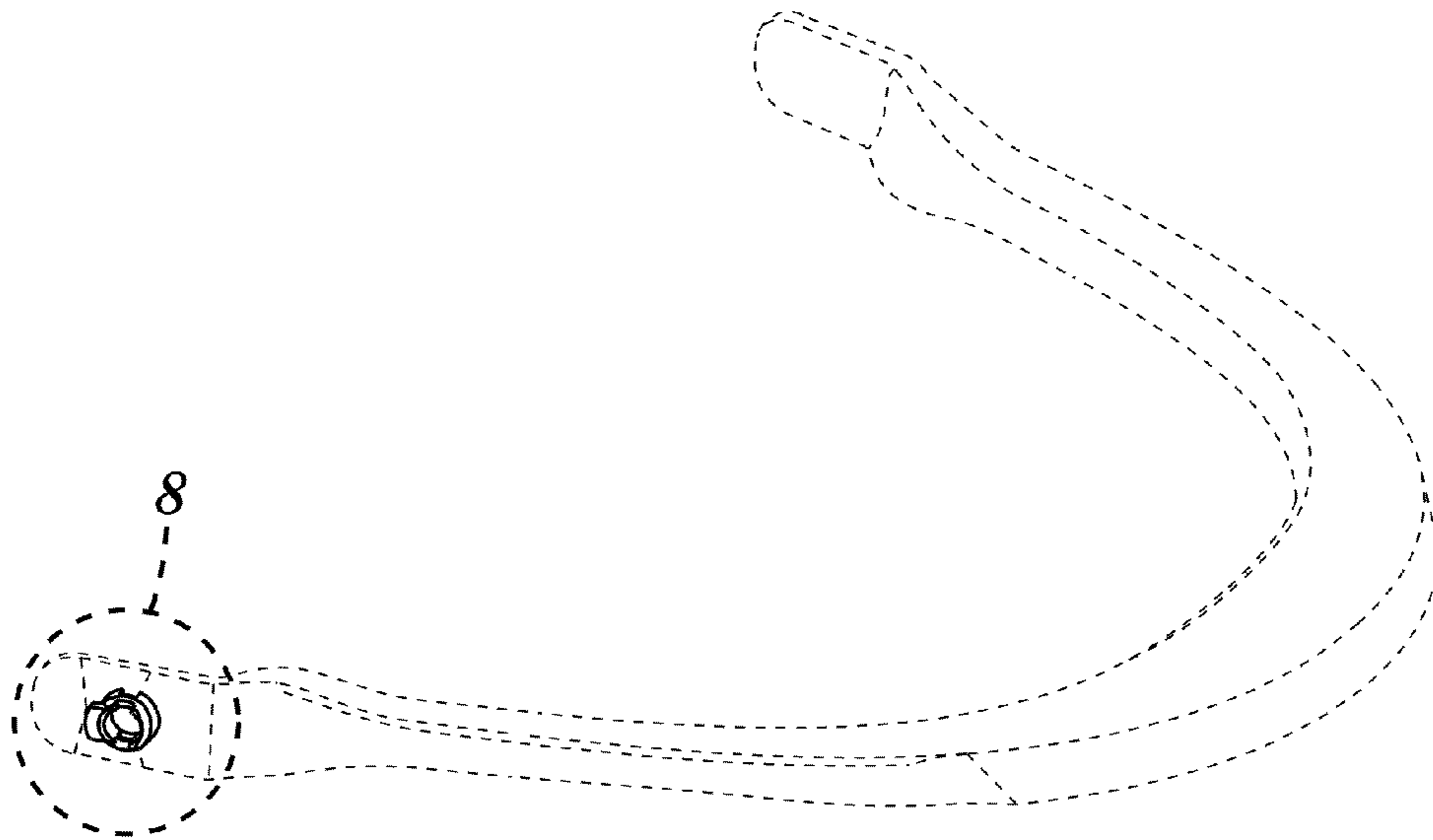
D509,323 S 9/2005 Emilsson  
 D511,226 S \* 11/2005 Howard ..... D29/122  
 D531,888 S \* 11/2006 Barnes ..... D8/382  
 7,188,622 B2 3/2007 Martin  
 D558,037 S \* 12/2007 Chelchowski ..... D8/382  
 D661,840 S \* 6/2012 Klotz ..... D29/109  
 D662,672 S \* 6/2012 Carlborg ..... D29/122  
 D663,900 S 7/2012 Karlsson  
 D663,902 S 7/2012 Karlsson  
 D665,304 S \* 8/2012 Takeda ..... D11/220  
 8,243,943 B2 8/2012 Nordin  
 D668,392 S 10/2012 Carlborg  
 D671,273 S 11/2012 Carlborg  
 D675,789 S \* 2/2013 Wanhainen ..... D29/122  
 D686,943 S \* 7/2013 Watson ..... D11/201  
 D689,395 S \* 9/2013 Chan ..... D11/220  
 8,656,519 B2 \* 2/2014 Kuo ..... A42B 3/223  
 2/422  
 8,701,212 B2 4/2014 Daniels

D728,417 S \* 5/2015 Pferdehirt ..... D11/220  
 D728,418 S \* 5/2015 Pferdehirt ..... D11/220  
 2004/0199982 A1 \* 10/2004 Wang-Lee ..... A42B 3/225  
 2/424  
 2006/0080761 A1 \* 4/2006 Huh ..... A42B 3/04  
 2/424  
 2008/0060102 A1 \* 3/2008 Matthews ..... A61F 9/061  
 2/8.2  
 2010/0325784 A1 \* 12/2010 Abbott ..... A42B 3/185  
 2/422  
 2011/0113537 A1 \* 5/2011 Peng ..... A61F 11/14  
 2/423  
 2013/0047387 A1 \* 2/2013 Gervase ..... A43B 3/105  
 24/586.11

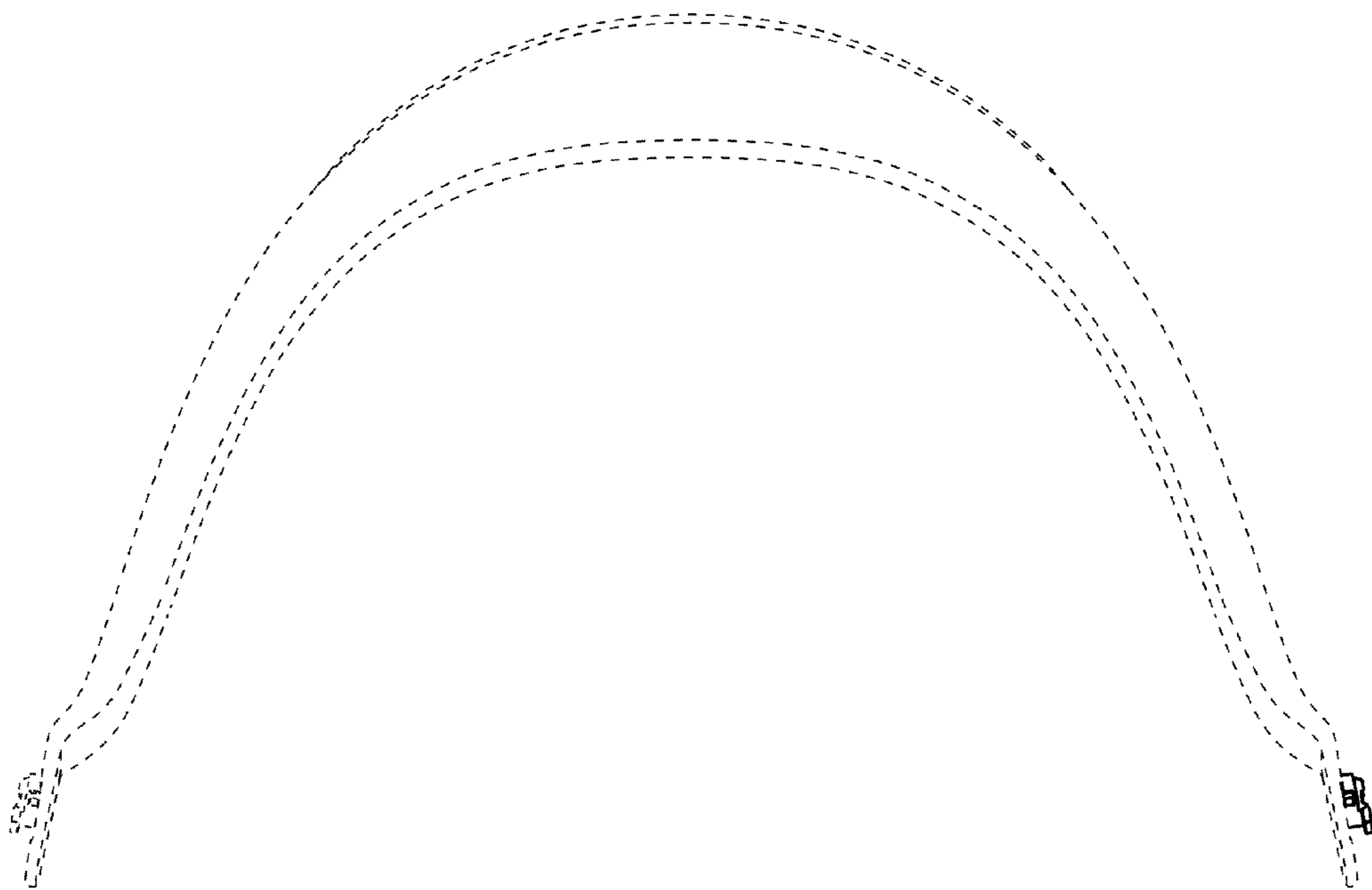
OTHER PUBLICATIONS

U.S. Appl. No. 29/492,350 to Daniels filed May 30, 2014, entitled  
 Helmet Bracket.  
 U.S. Appl. No. 29/492,353 to Daniels filed May 30, 2014, entitled  
 Helmet Bracket Having Arrow Indicia.

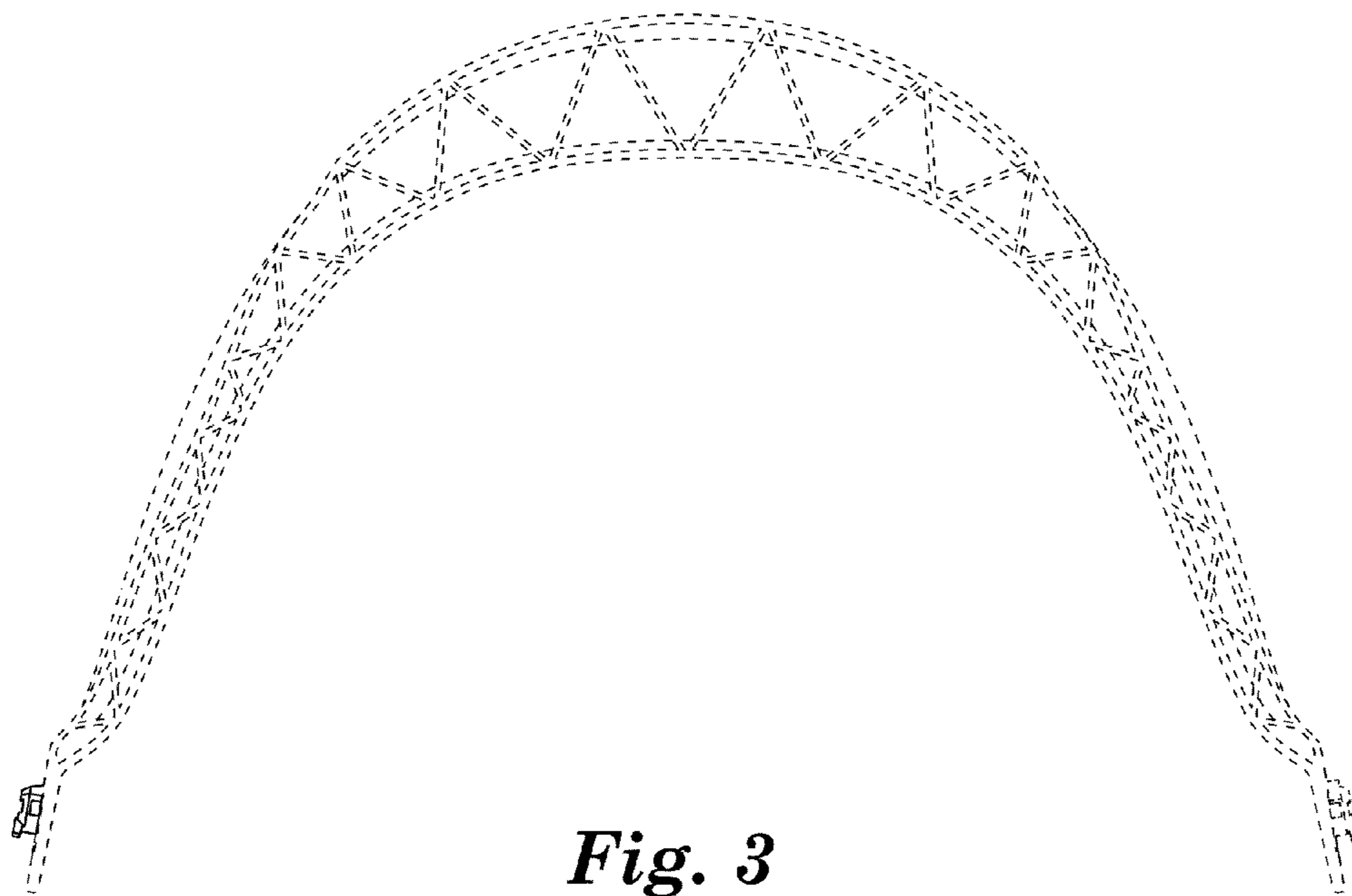
\* cited by examiner



*Fig. 1*



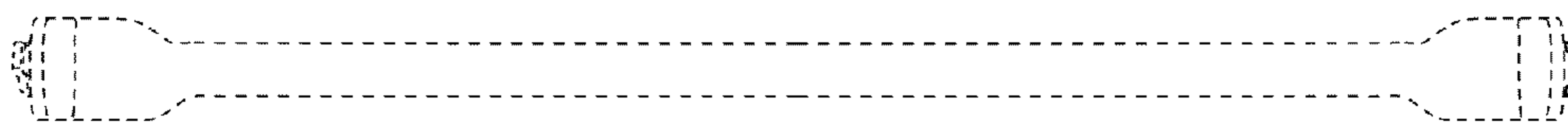
*Fig. 2*



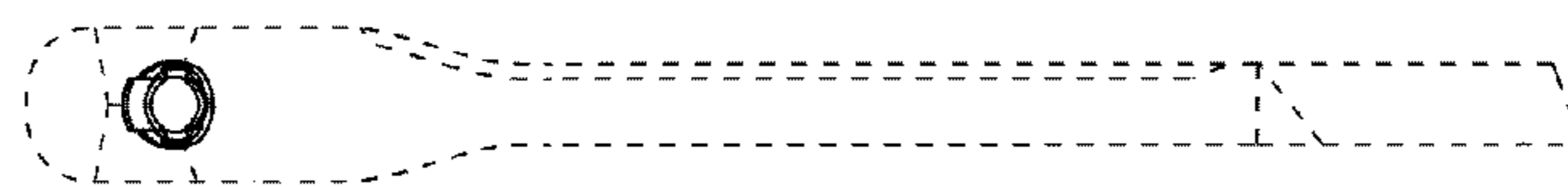
*Fig. 3*



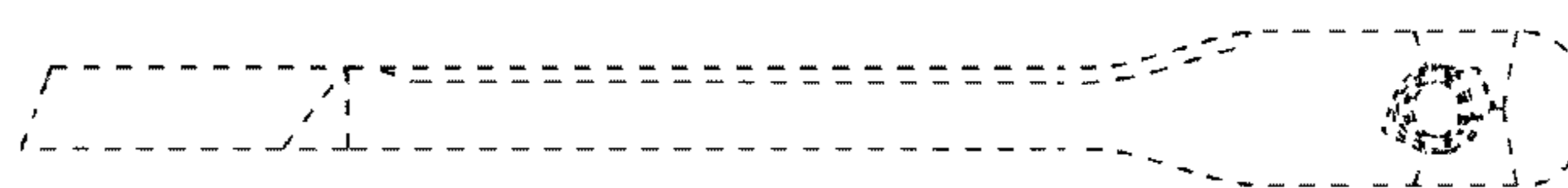
*Fig. 4*



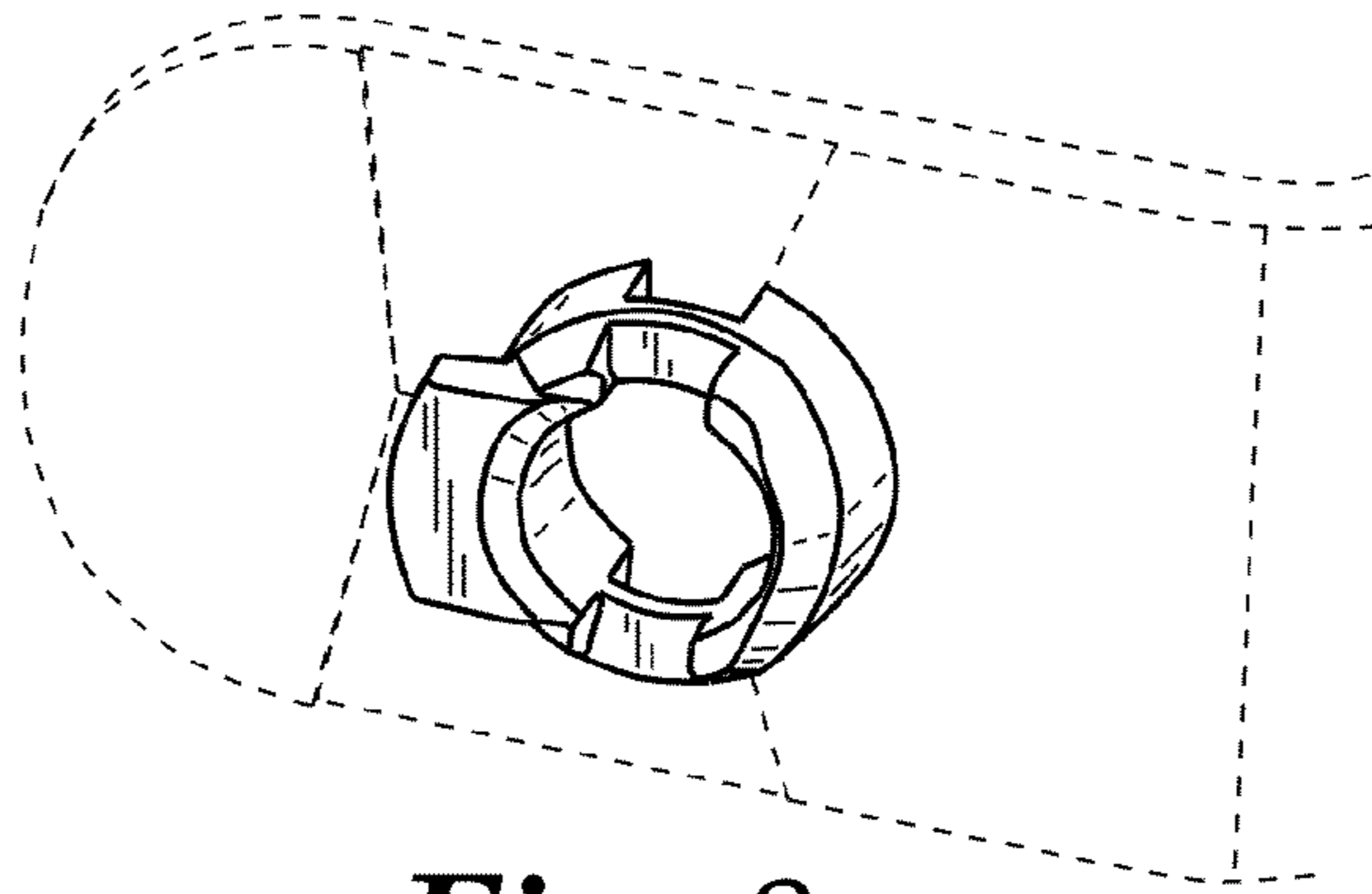
*Fig. 5*



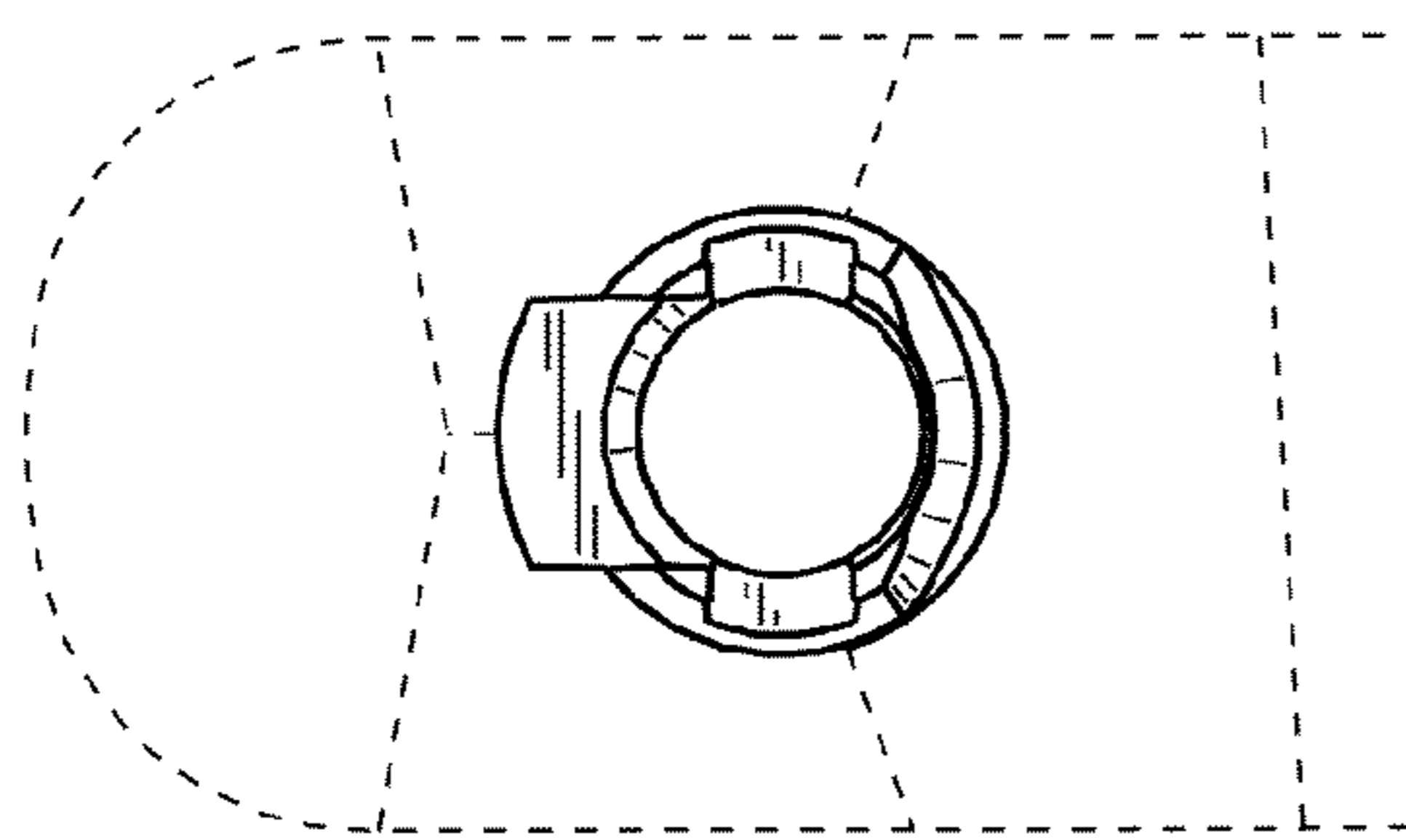
*Fig. 6*



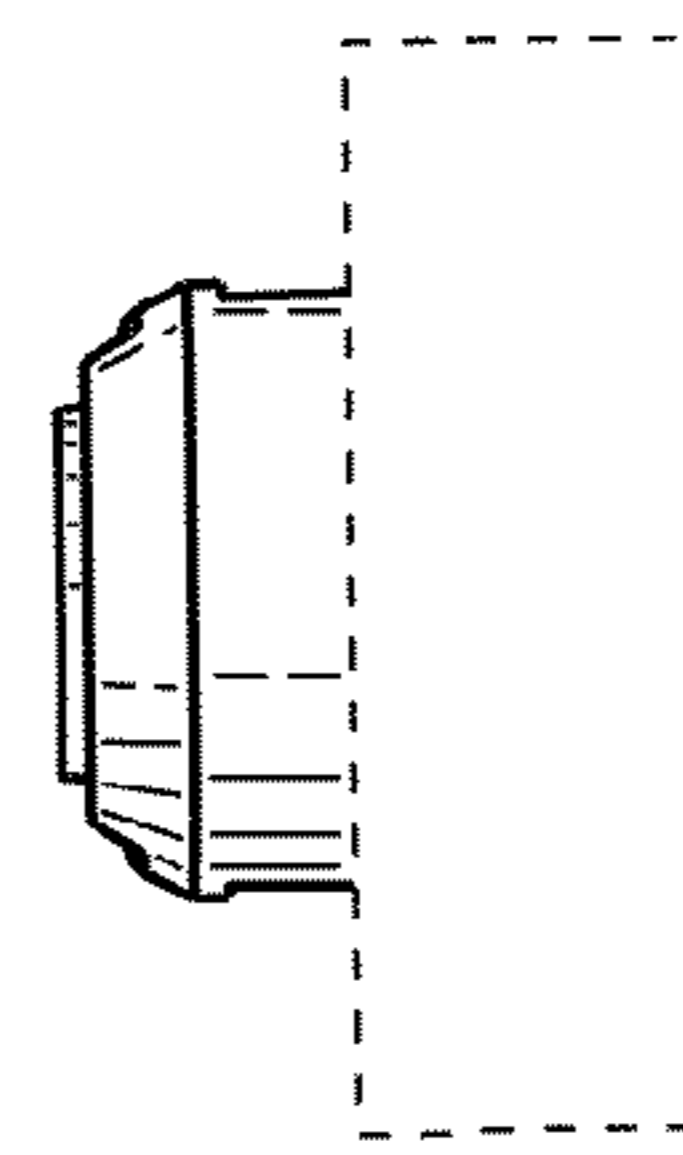
*Fig. 7*



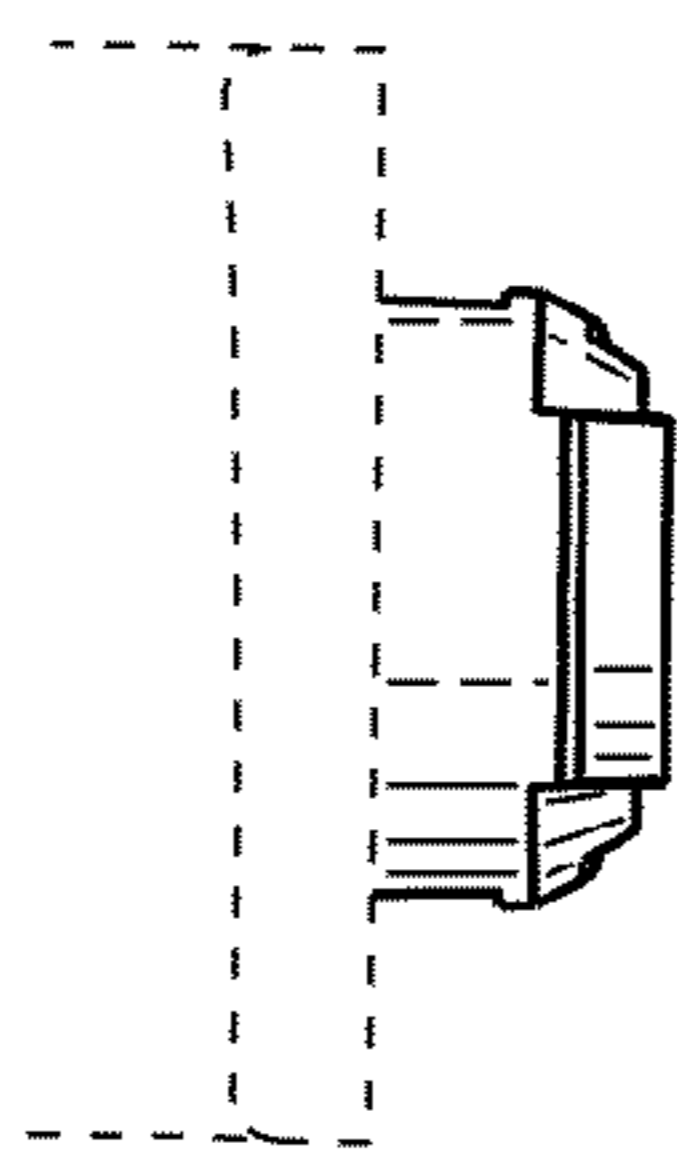
*Fig. 8*



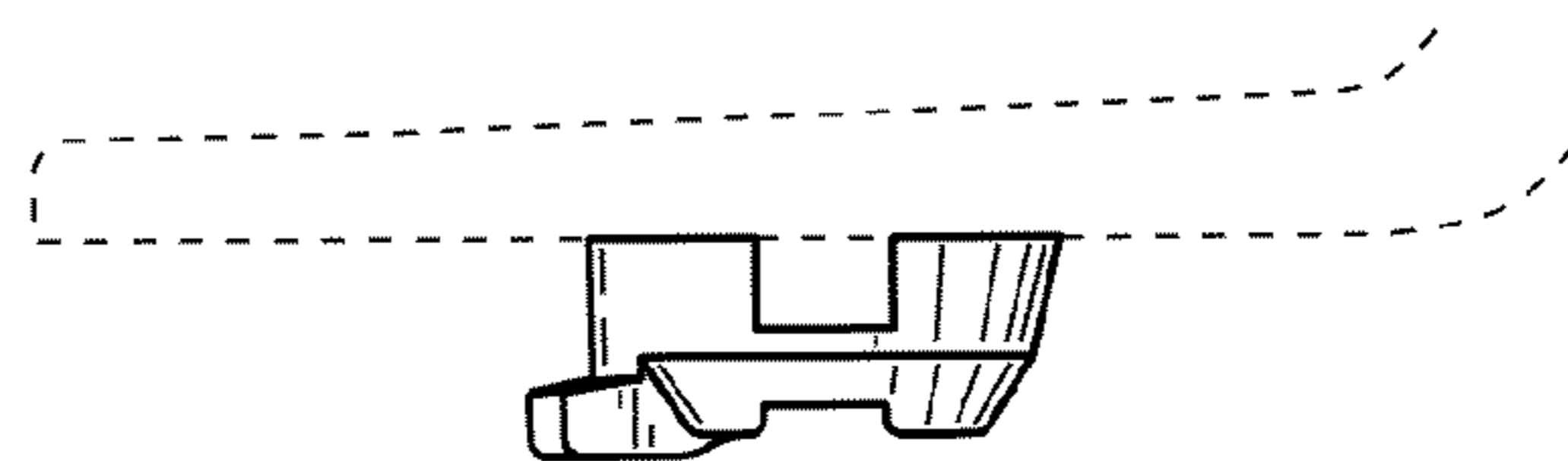
*Fig. 9*



*Fig. 10*



*Fig. 11*



*Fig. 12*