

US00D747557S

(12) **United States Design Patent**
Bonney et al.

(10) **Patent No.:** **US D747,557 S**
(45) **Date of Patent:** **** Jan. 12, 2016**

(54) **HEARING PROTECTOR**
(71) Applicant: **3M INNOVATIVE PROPERTIES COMPANY**, St. Paul, MN (US)
(72) Inventors: **Brenda M. Bonney**, Woodbury, MN (US); **Scott T. Cheek**, Indianapolis, IN (US); **Nicolas A. Echeverri**, Woodbury, MN (US); **Douglas D. Fletcher**, Woodbury, MN (US); **Oscar M. Hemberg**, Dalarö (SE)
(73) Assignee: **3M INNOVATIVE PROPERTIES COMPANY**, St. Paul, MN (US)

(**) Term: **14 Years**
(21) Appl. No.: **29/485,689**

(22) Filed: **Mar. 21, 2014**
(51) **LOC (10) Cl.** **29-02**
(52) **U.S. Cl.**
USPC **D29/112**

(58) **Field of Classification Search**
USPC D29/100, 102, 105, 106, 108, 112, 122; 2/455, 410, 417, 423, 424, 425, 9, 171, 2/208, 209, 918; D14/205, 223, 249; 181/129, 130, 135; 379/430, 431; 381/380, 381; 455/90.3, 575.1
CPC A42B 3/16; A42B 3/163; A42B 3/166; A61F 11/06; A61F 11/08; A61F 11/10; A61F 11/12; A61F 11/14; A61F 2011/085; H04R 1/10; H04R 1/1008; H04R 1/1016; H04R 1/105; H04R 1/1058; H04R 1/1066; H04R 1/1075; H04R 1/1083; H04R 5/0335; H04R 25/652; H04R 25/654; H04R 25/656; A63B 71/10

See application file for complete search history.

(56) **References Cited**
U.S. PATENT DOCUMENTS

2,883,671 A * 4/1959 Hornickel 2/209

2,981,958 A * 5/1961 Wadsworth et al. 2/209
3,051,961 A * 9/1962 Clark 2/209
3,085,253 A * 4/1963 Ulrich et al. 2/209
3,104,398 A * 9/1963 Palmaer 2/209
3,681,540 A * 8/1972 Thomson 381/378
D298,670 S * 11/1988 Palmaer D29/112
D313,092 S * 12/1990 Nilsson D29/112
D375,584 S * 11/1996 Westerdal D29/112
D385,665 S * 10/1997 Westerdal D29/112
D403,126 S * 12/1998 Scanlon et al. D29/112
D411,200 S * 6/1999 Almqvist D14/192
D434,191 S * 11/2000 Emilsson D29/112
6,654,966 B2 * 12/2003 Rolla 2/209
D509,323 S * 9/2005 Emilsson D29/112
7,172,052 B2 * 2/2007 Lenhard-Backhaus 181/129
D541,483 S * 4/2007 Birgersson et al. D29/112

(Continued)

OTHER PUBLICATIONS

Bonney, U.S. Appl. No. 29/471,083, filed Oct. 28, 2013, entitled "Hearing Protector".

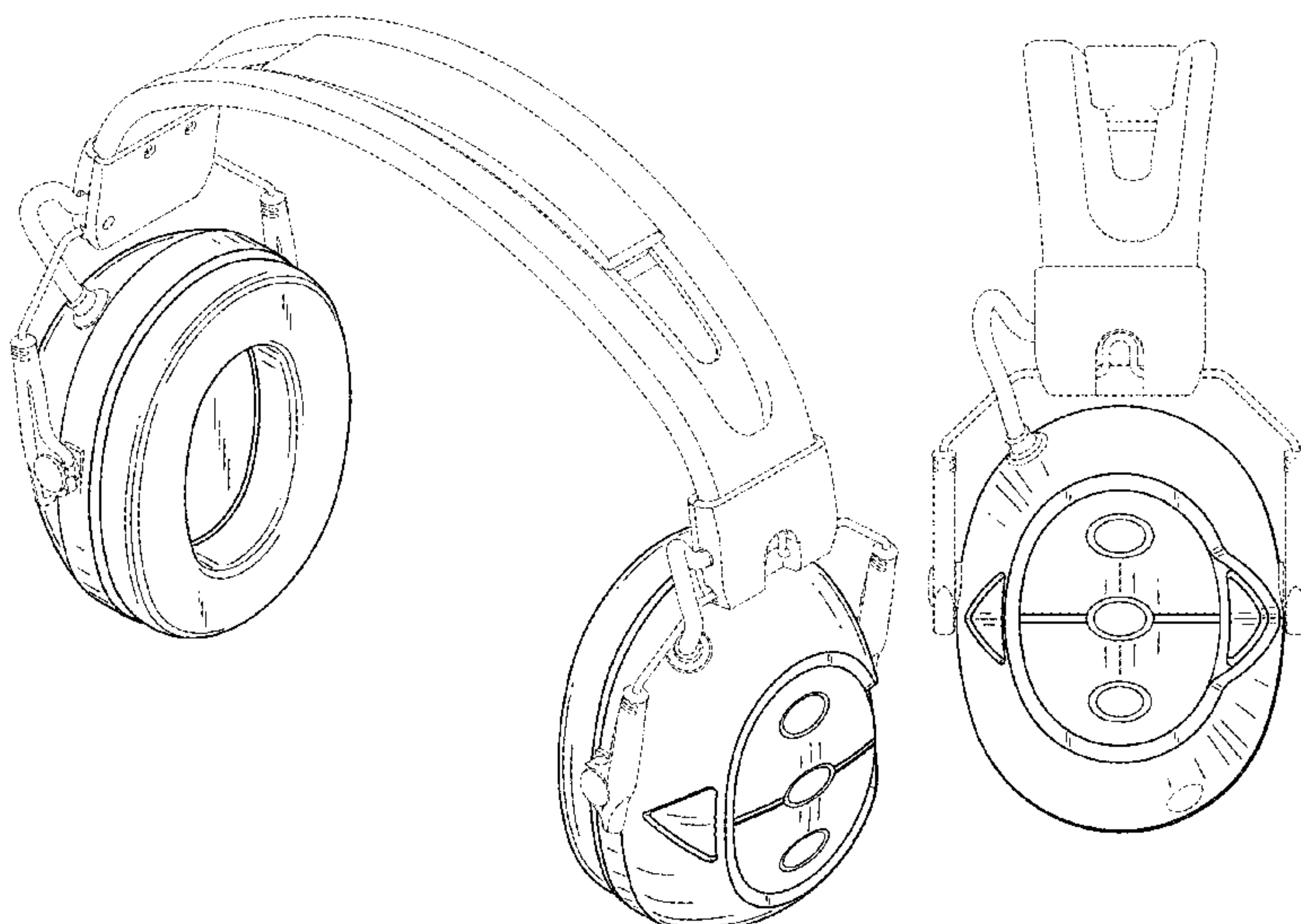
Primary Examiner — Elizabeth J Oswecki
(74) *Attorney, Agent, or Firm* — Irina Hass

(57) **CLAIM**
The ornamental design for a hearing protector, as shown and described.

DESCRIPTION

FIG. 1 is a perspective view of a hearing protector showing our new design;
FIG. 2 is a right side view thereof;
FIG. 3 is a left side view thereof;
FIG. 4 is a front view thereof;
FIG. 5 is a rear view thereof;
FIG. 6 is a top view thereof; and,
FIG. 7 is a bottom view thereof.
The portions of the hearing protector in FIGS. 1-7 shown in broken lines are included to show features that form no part of the claimed design.

1 Claim, 4 Drawing Sheets



US D747,557 S

Page 2

(56)

References Cited

U.S. PATENT DOCUMENTS

D616,865 S *	6/2010	Marchand et al.	D14/205
D651,764 S *	1/2012	Gresko et al.	D29/112
D701,193 S *	3/2014	Kelly et al.	D14/205
D547,500 S *	7/2007	Karrman	D29/112

* cited by examiner

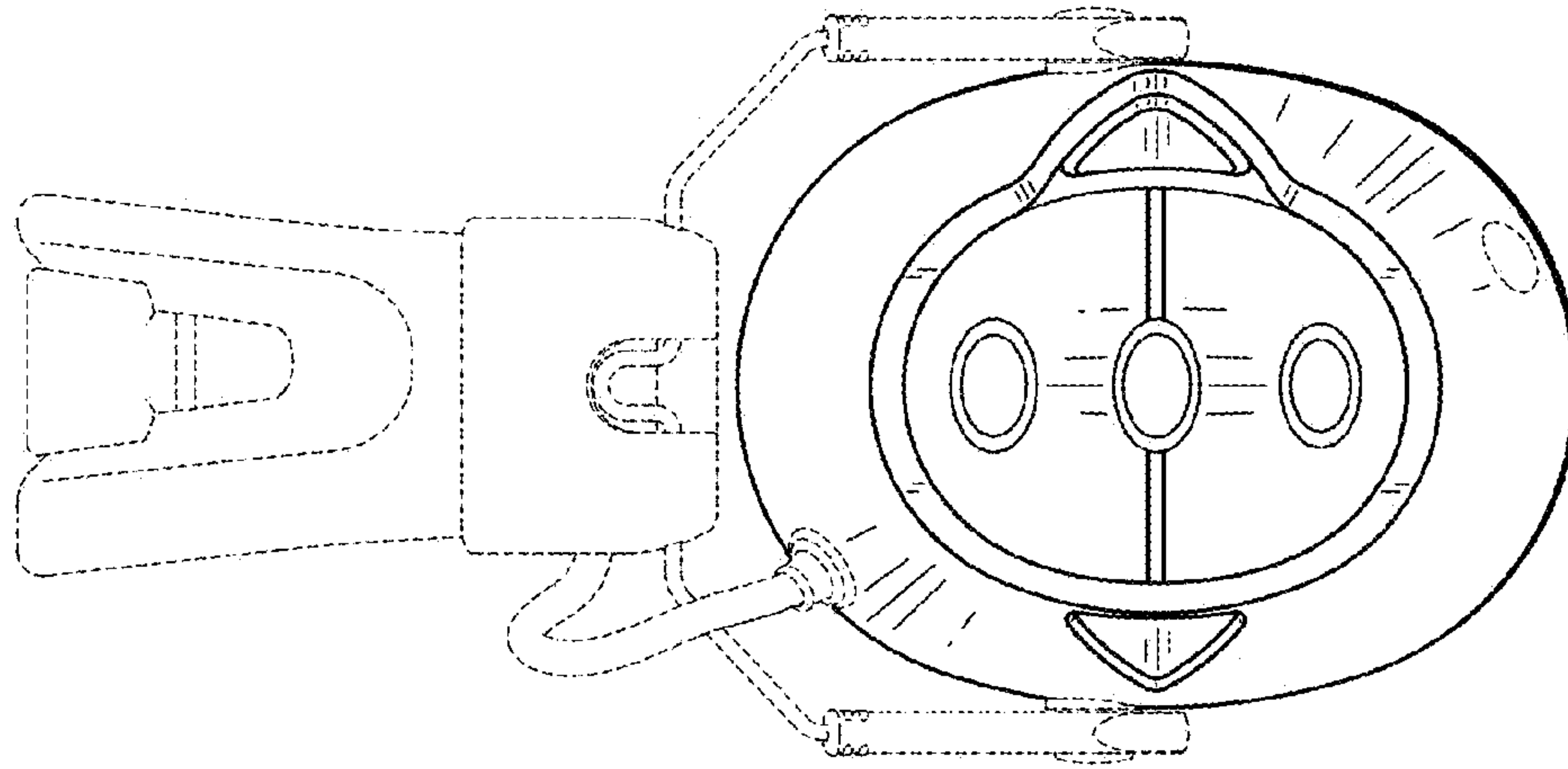


FIG. 2

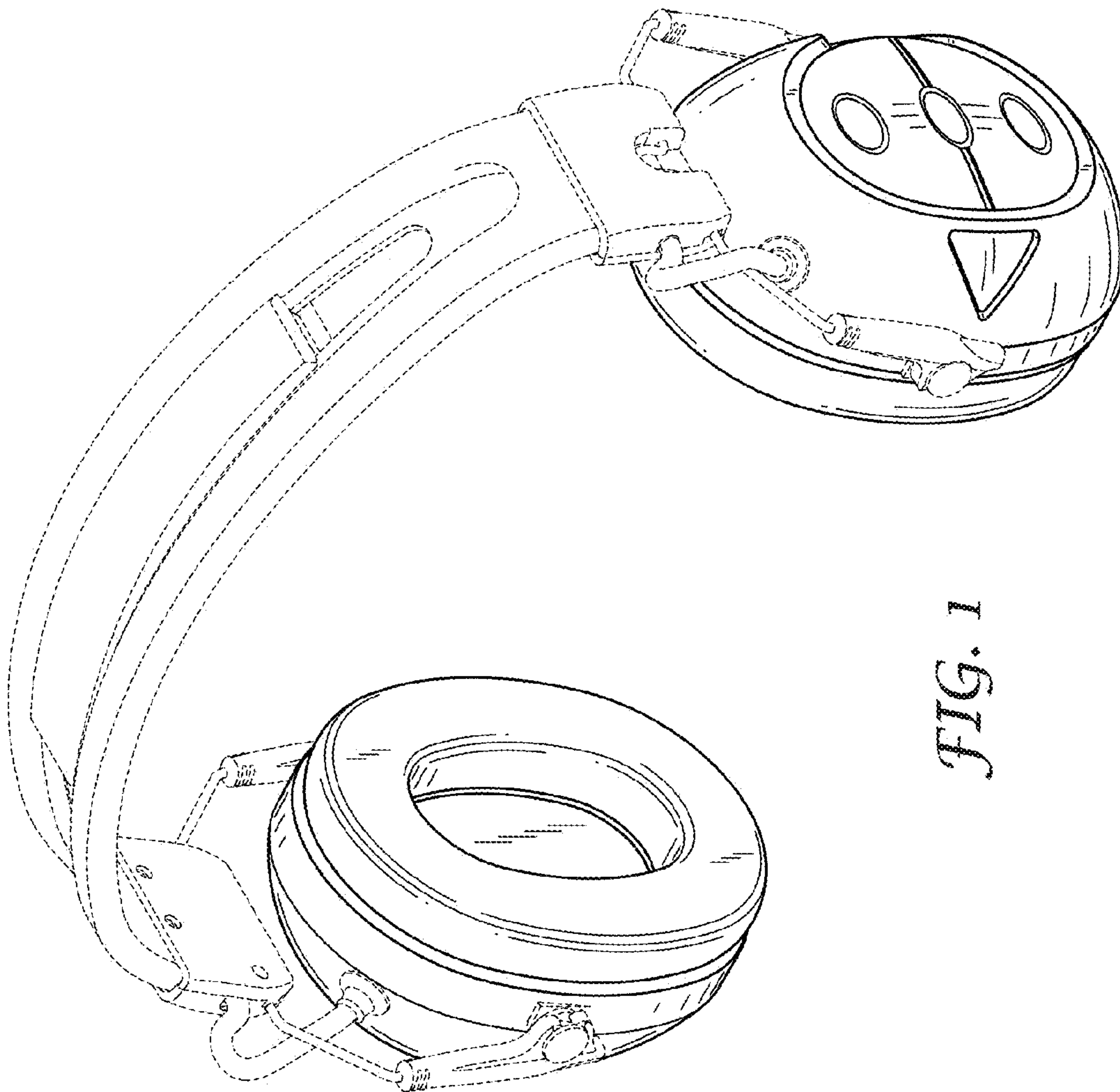


FIG. 1

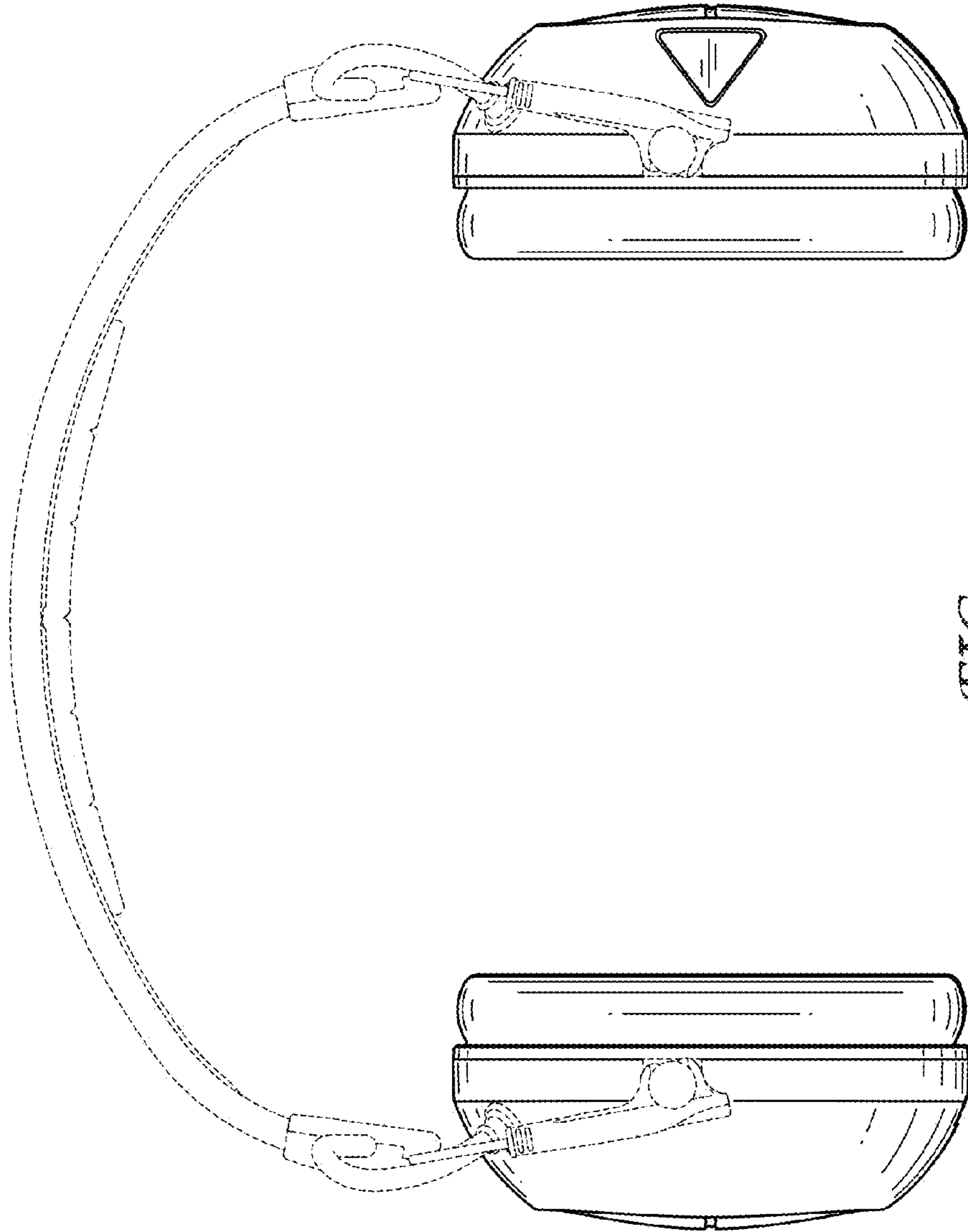


FIG. 4

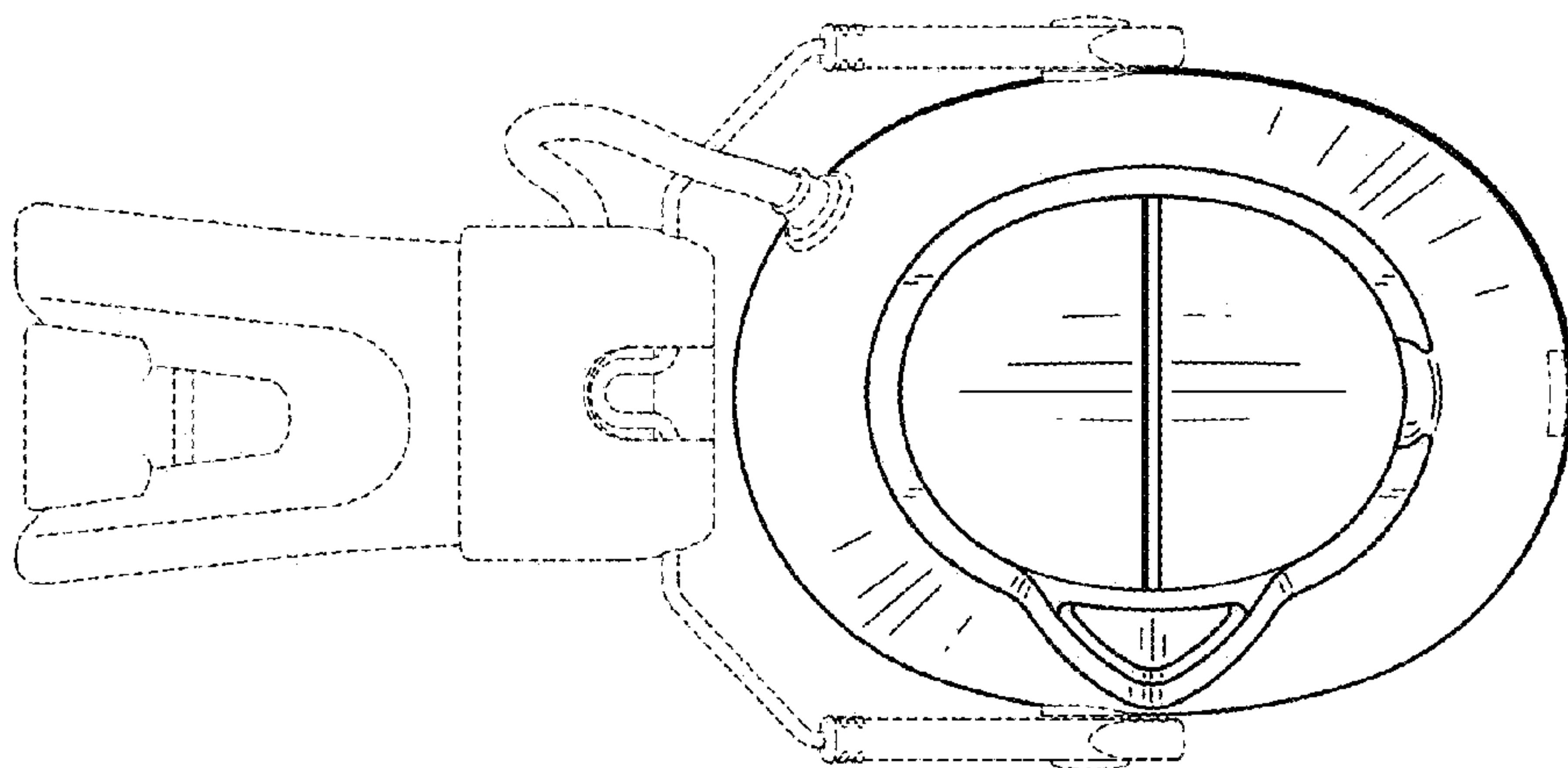


FIG. 3

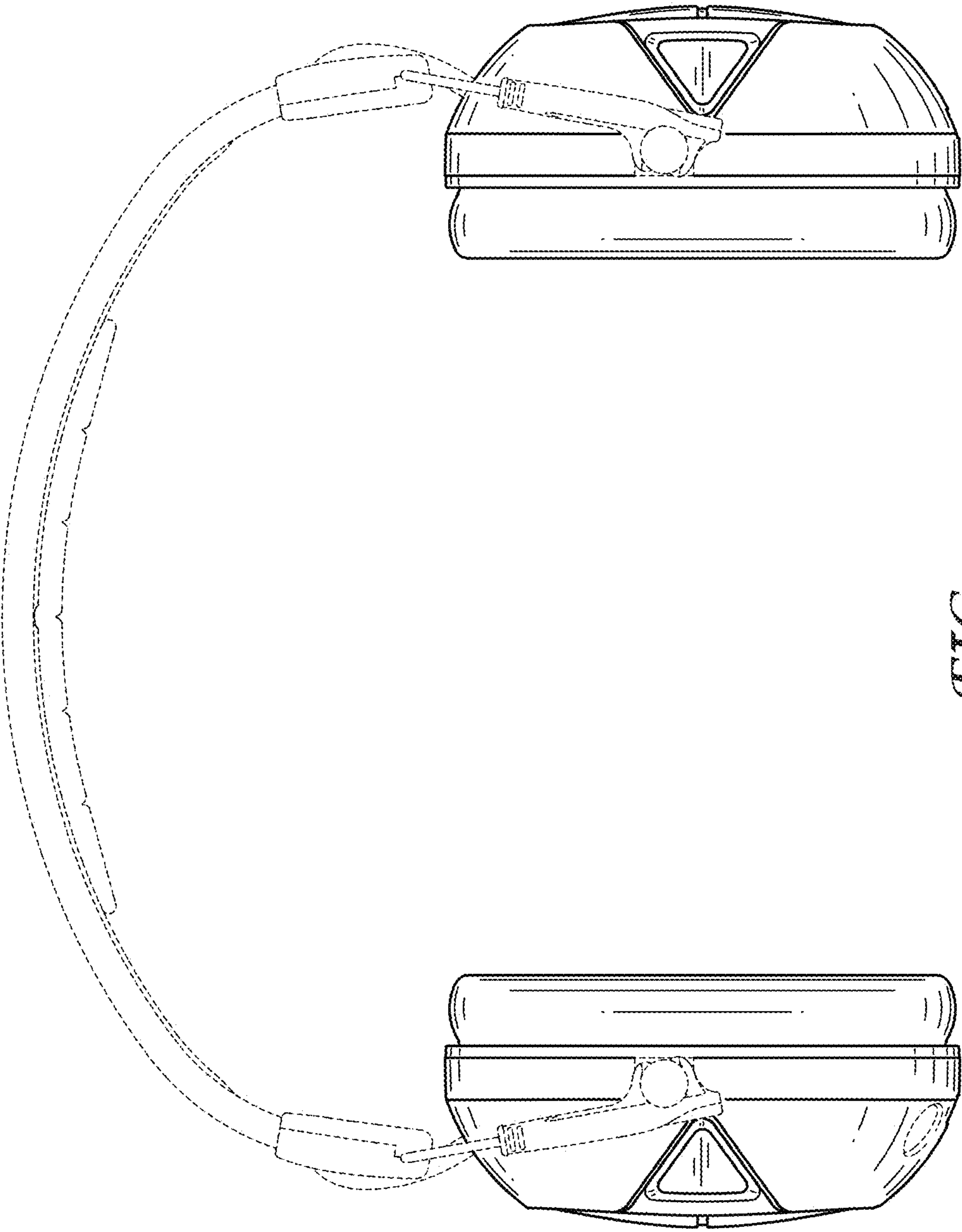


FIG. 5

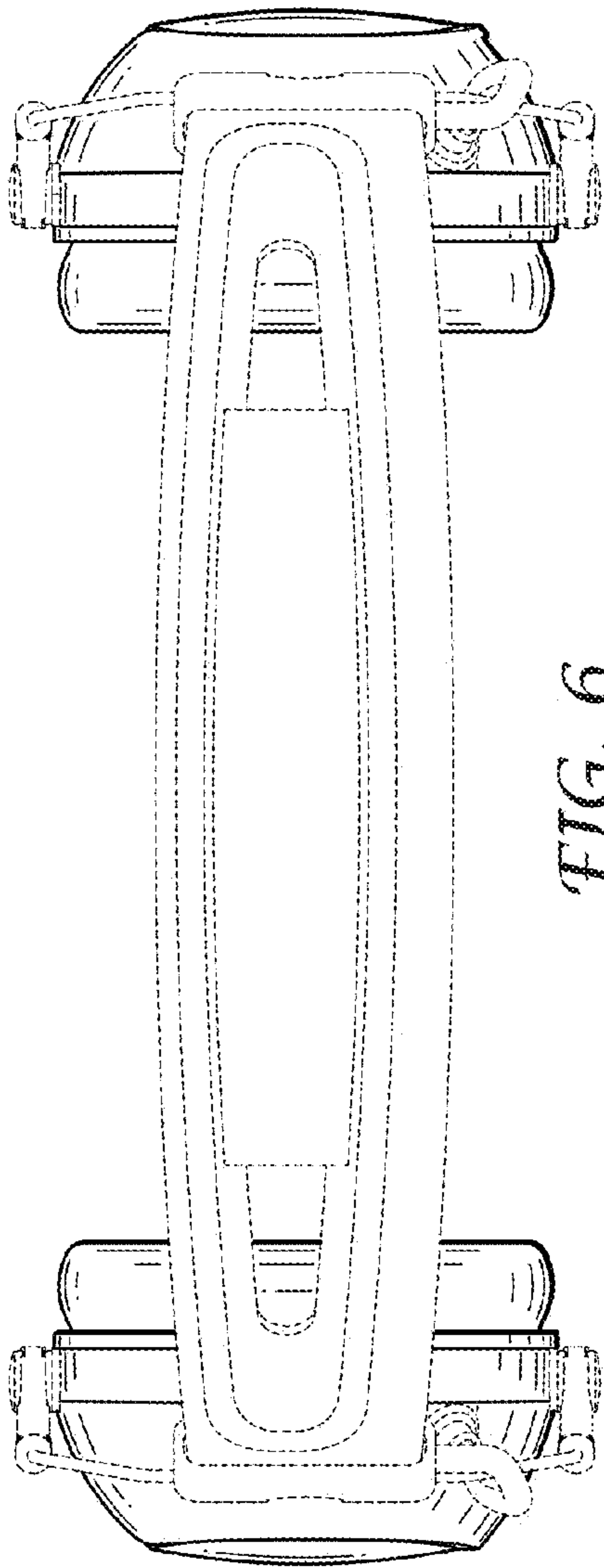


FIG. 6

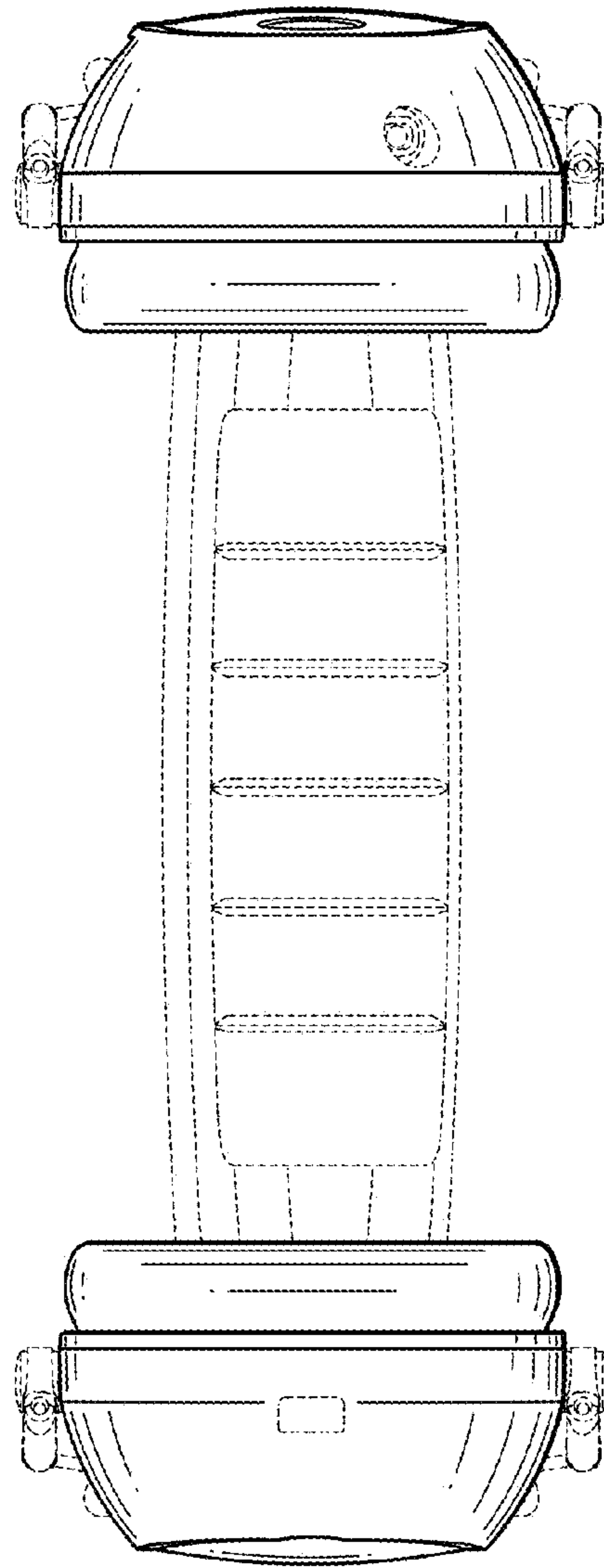


FIG. 7