



US00D747554S

(12) **United States Design Patent**
Daniel

(10) **Patent No.:** **US D747,554 S**
(45) **Date of Patent:** **** Jan. 12, 2016**

(54) **ARTICLE OF HEADWEAR THAT INCLUDES
A CONCUSSION SENSOR AND A NOISE
REDUCTION ELEMENT**

(71) Applicant: **Isaac S. Daniel**, Miramar, FL (US)

(72) Inventor: **Isaac S. Daniel**, Miramar, FL (US)

(**) Term: **14 Years**

(21) Appl. No.: **29/482,030**

(22) Filed: **Feb. 13, 2014**

(51) **LOC (10) Cl.** **29-02**

(52) **U.S. Cl.**
USPC **D29/106**

(58) **Field of Classification Search**
USPC D29/102-107, 122; 2/6.1-6.3, 6.5, 6.7,
2/172, 175.1, 175.6, 175.7, 195.1, 209,
2/410, 422-425, 455, 909, 918, 920;
D2/891; D5/63; D24/190, 191;
128/864, 866, 867
CPC A42B 3/00; A42B 3/163; A42B 3/166;
A42B 3/16; A42B 3/18; A42B 3/20; A42B
3/22; A42B 3/221; A42B 3/228; A42B 3/066;
A42B 3/06; A63B 71/10; A61F 11/008
See application file for complete search history.

(56) **References Cited**

U.S. PATENT DOCUMENTS

6,481,024 B1 * 11/2002 Grant 2/421
6,499,147 B2 * 12/2002 Schiebl et al. 2/425

D487,409 S * 3/2004 Philipson D11/81
6,970,691 B2 * 11/2005 Thompson 455/344
D528,705 S * 9/2006 Ide et al. D29/122
7,403,346 B2 * 7/2008 Reichow et al. 359/815
D603,099 S * 10/2009 Bologna et al. D29/106
D620,203 S * 7/2010 Broersma D29/107
7,798,635 B1 * 9/2010 Shindler 351/47
D629,162 S * 12/2010 Daniel D29/106
D651,355 S * 12/2011 Schwabe et al. D29/106

* cited by examiner

Primary Examiner — Randall Gholson

(74) *Attorney, Agent, or Firm* — Carol N. Green Kaul, Esq.

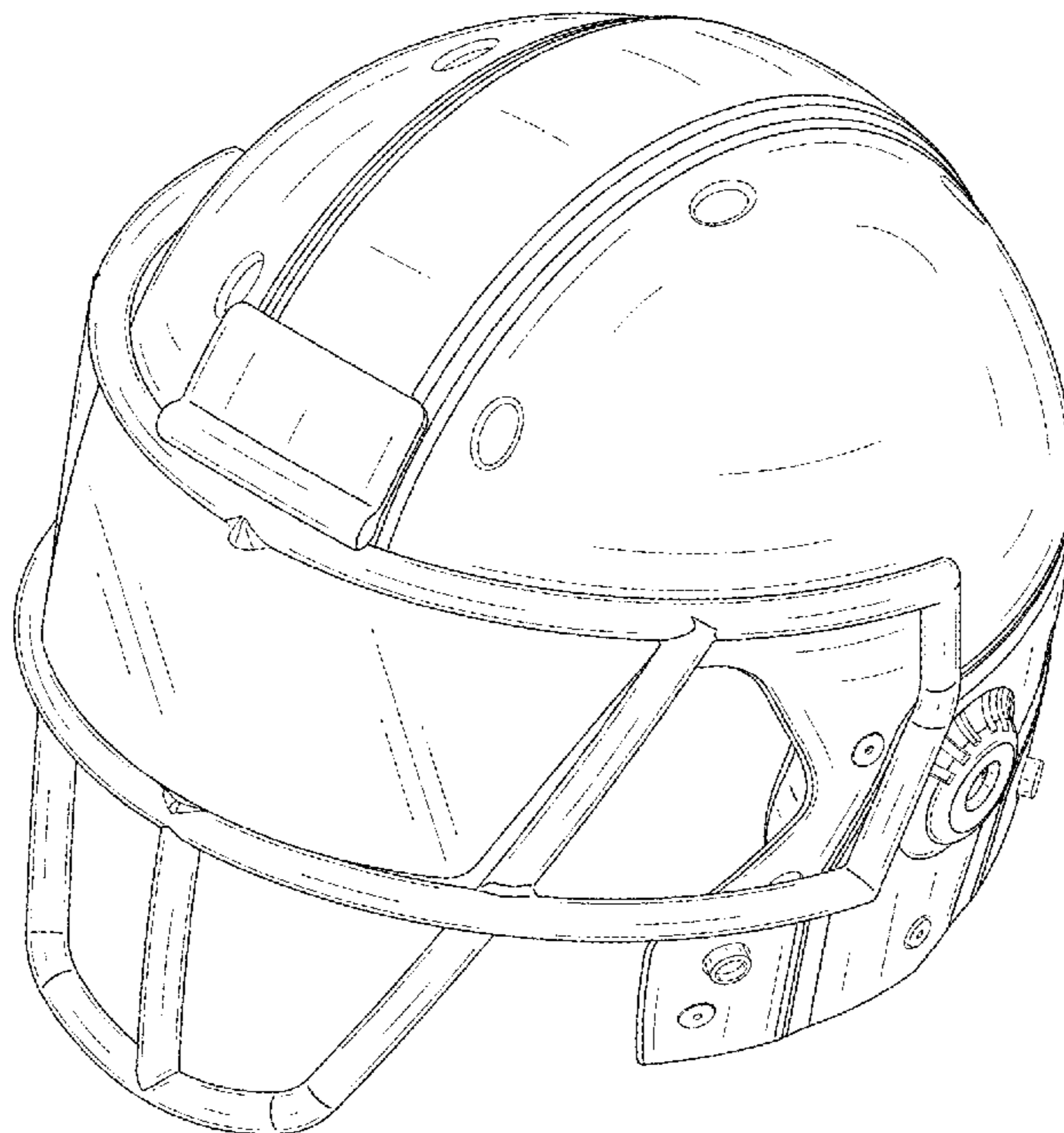
(57) **CLAIM**

The ornamental design for an article of headwear that includes a concussion sensor and a noise reduction element, as shown and described.

DESCRIPTION

FIG. 1 is a front perspective view of the invention.
FIG. 2 is a bottom perspective view of the rear of the invention.
FIG. 3 is a bottom perspective view of the front of the invention.
FIG. 4 is a front perspective of the invention.
FIG. 5 is a rear perspective view of the invention.
FIG. 6 is a left side view of the invention.
FIG. 7 is a top view of the invention; and,
FIG. 8 is a bottom perspective view of the invention.

1 Claim, 7 Drawing Sheets



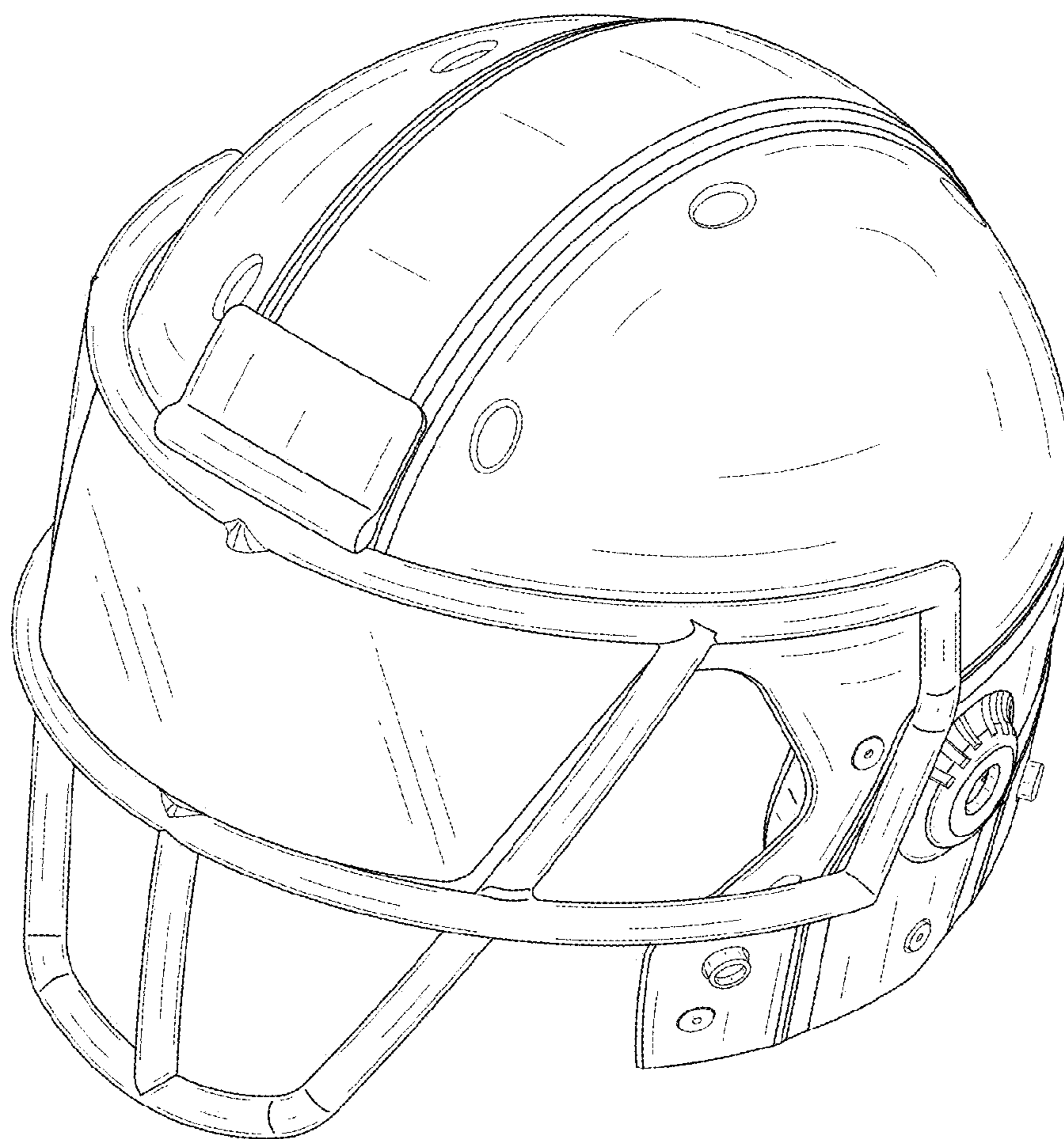


FIG. 1

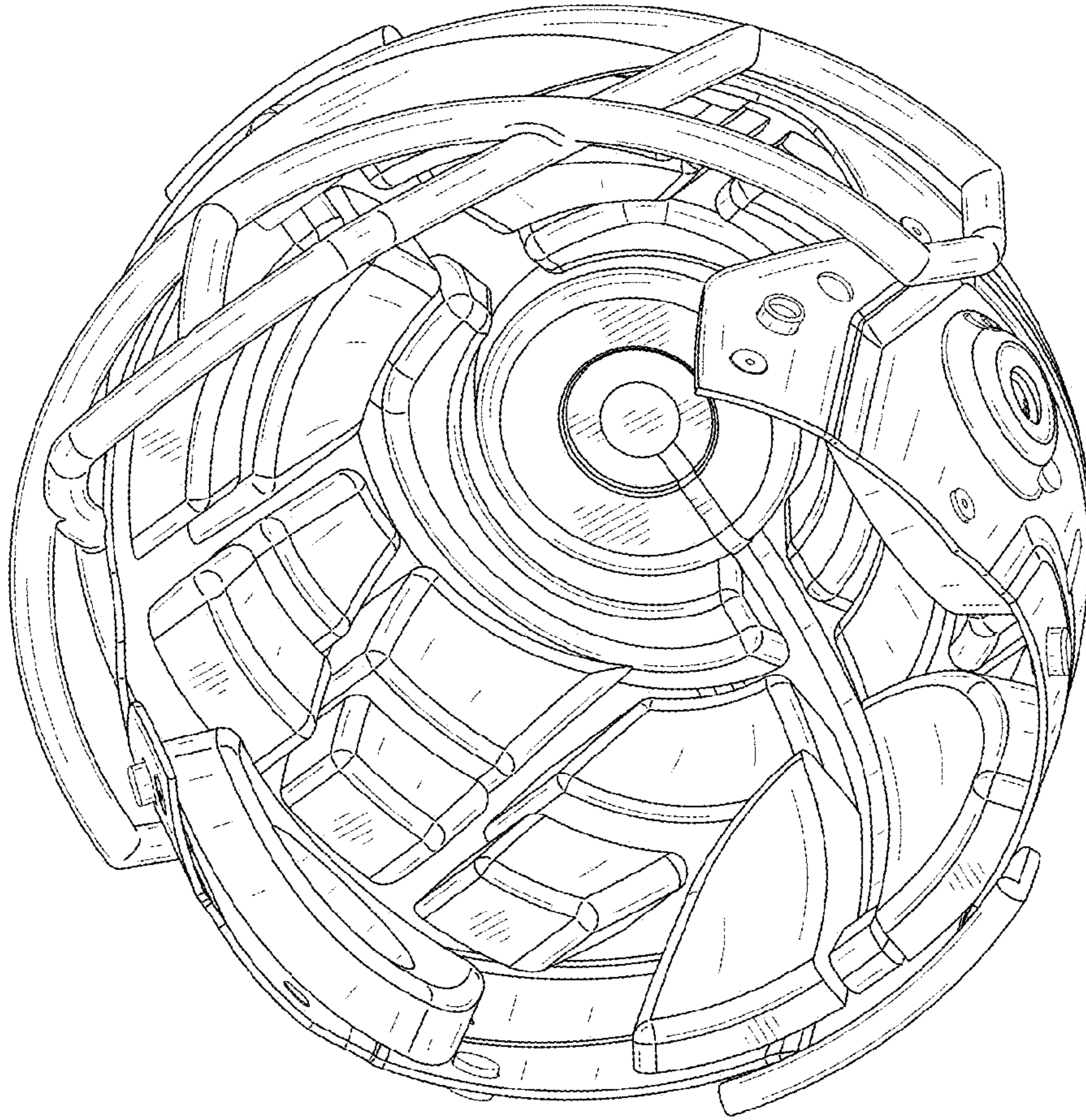


FIG. 2

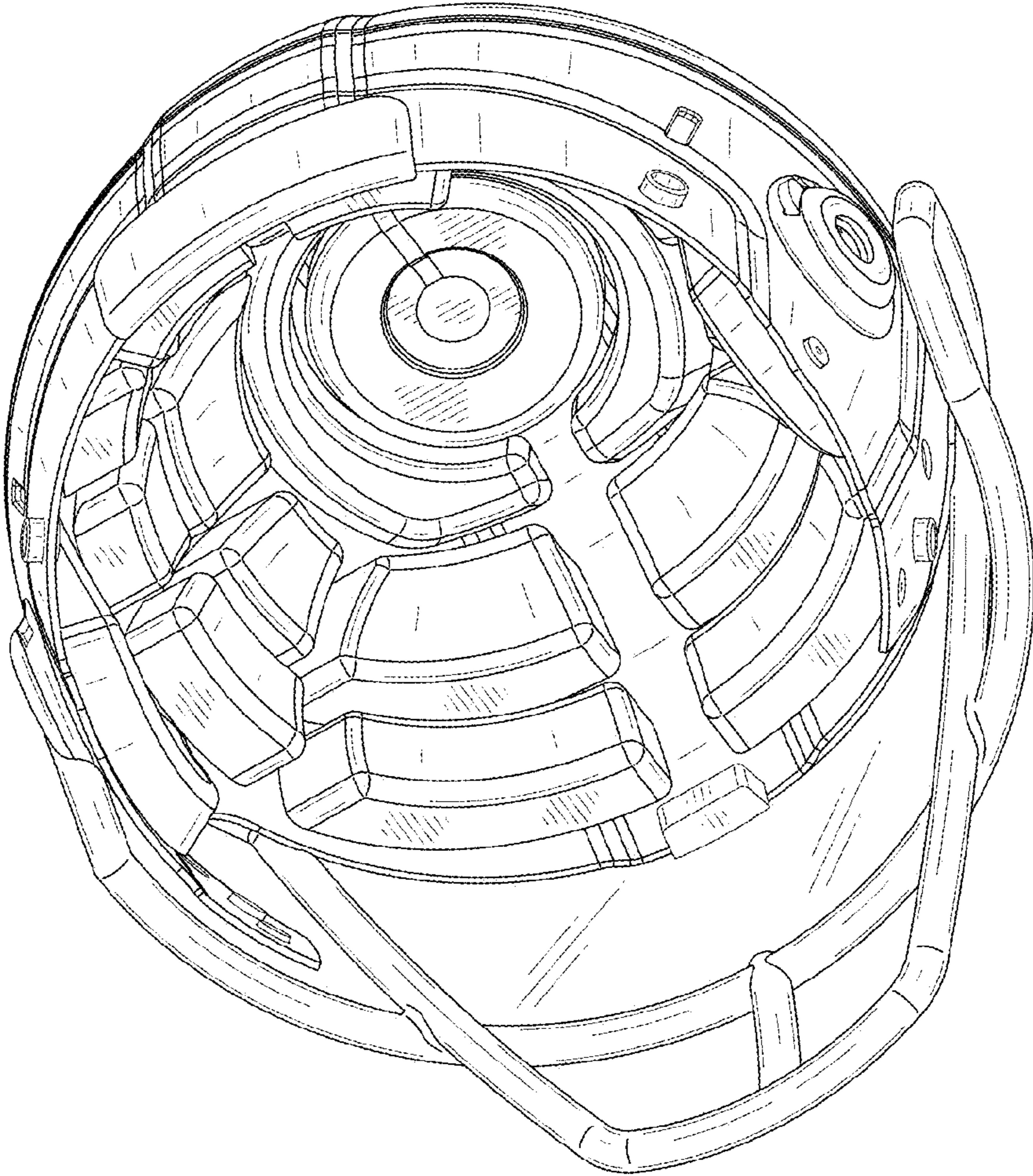


FIG. 3

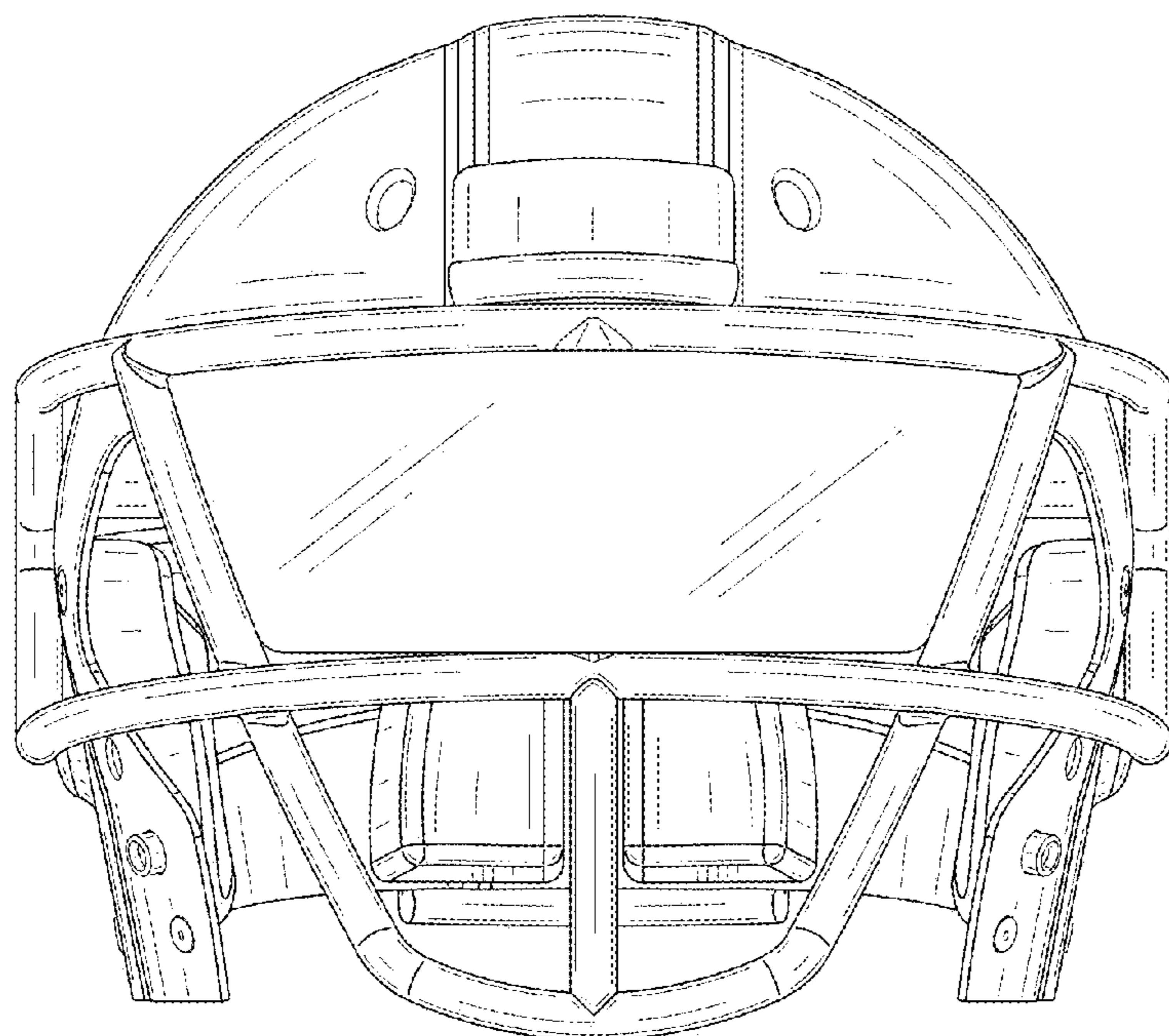


FIG. 4

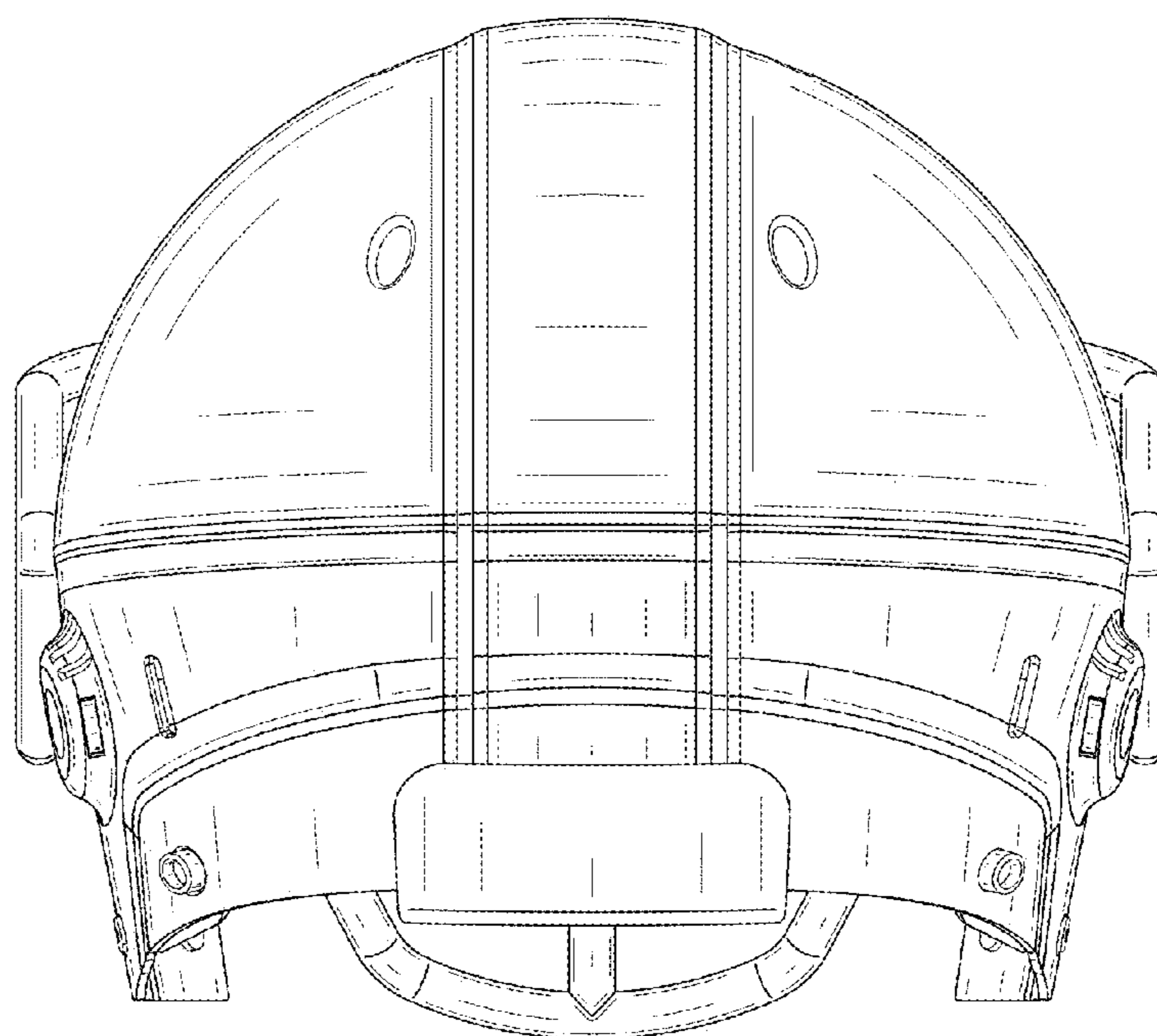


FIG. 5

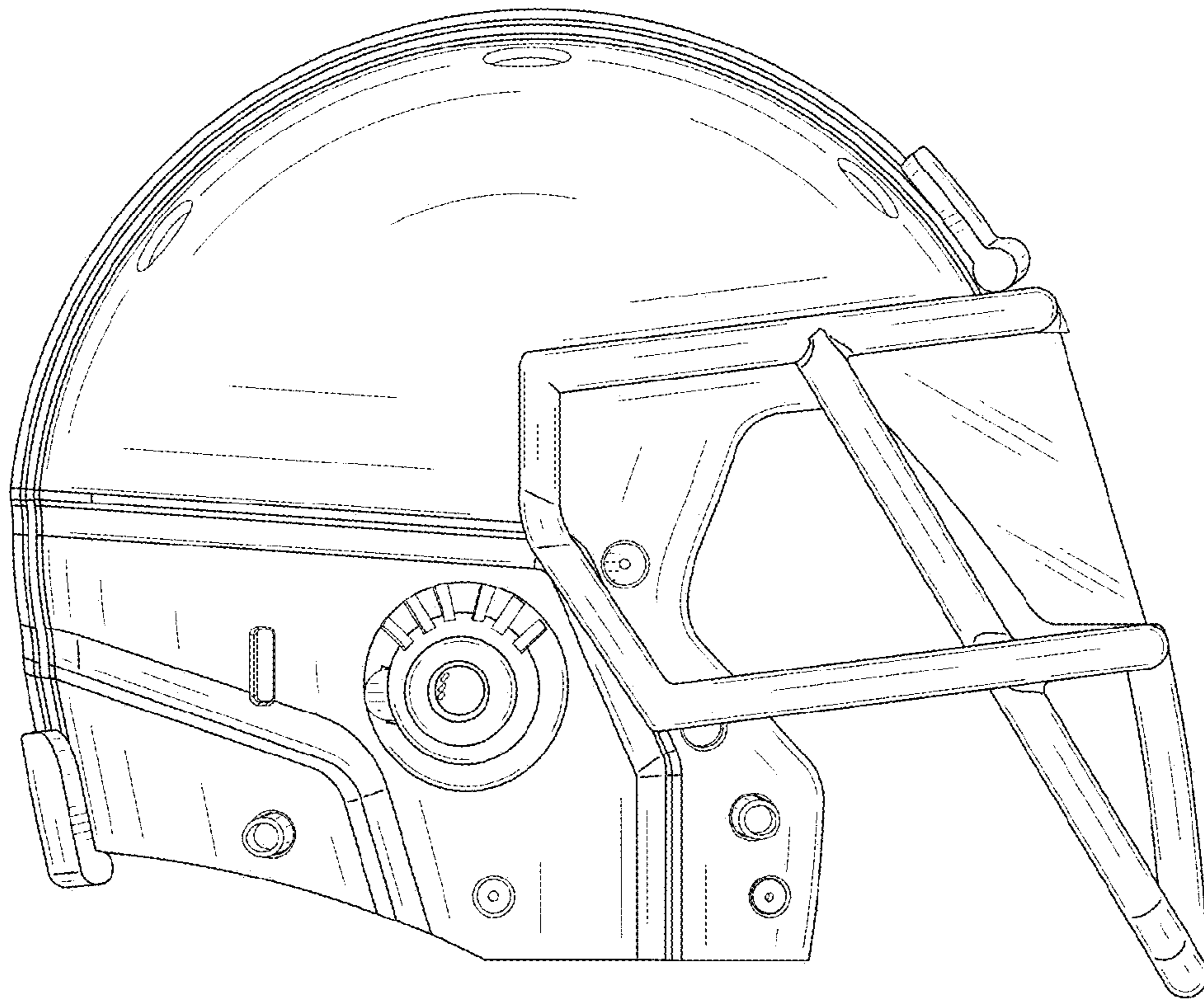


FIG. 6

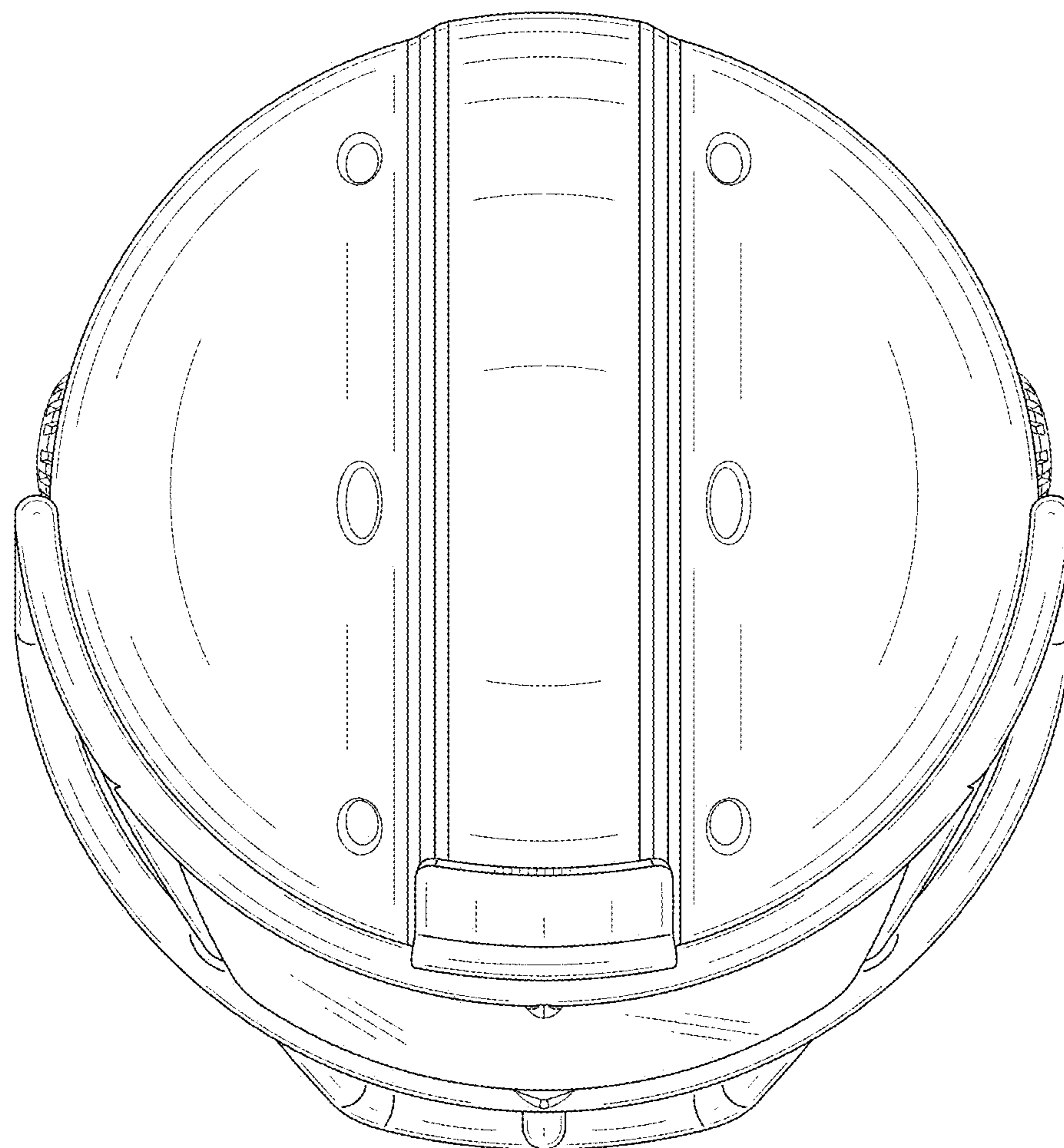


FIG. 7

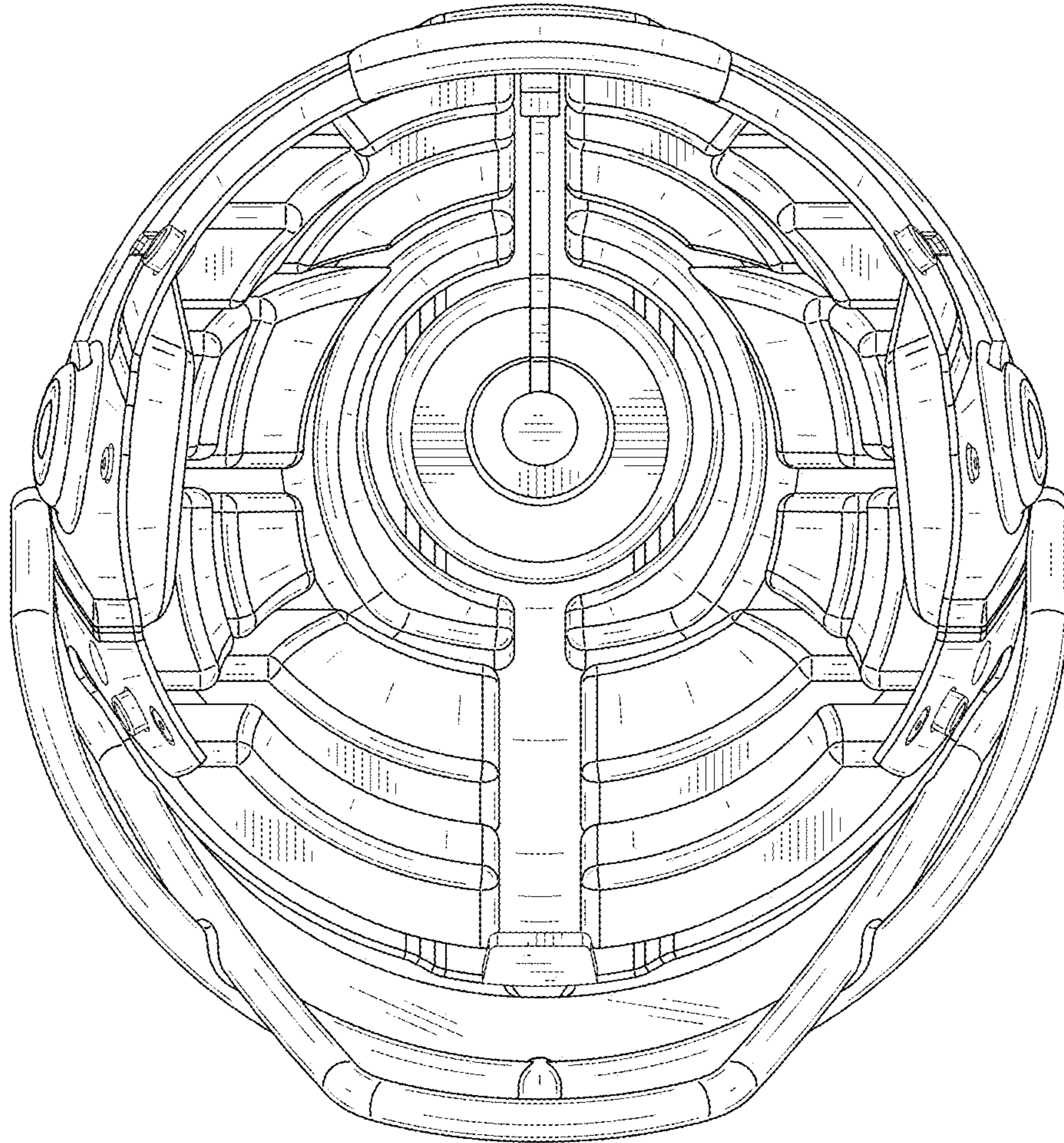


FIG. 8