



US00D747553S

(12) **United States Design Patent**
Osweiler

(10) **Patent No.:** **US D747,553 S**
(45) **Date of Patent:** **** Jan. 12, 2016**

- (54) **HAIR STYLIST'S CHAIR ACCESSORY**
- (71) Applicant: **Cathryn A. Osweiler**, Phoenix, AZ (US)
- (72) Inventor: **Cathryn A. Osweiler**, Phoenix, AZ (US)
- (**) Term: **14 Years**
- (21) Appl. No.: **29/481,285**
- (22) Filed: **Feb. 4, 2014**
- (51) **LOC (10) Cl.** **23-03**
- (52) **U.S. Cl.**
USPC **D28/73; D28/38; D3/215; D3/224;**
D3/229
- (58) **Field of Classification Search**
USPC D28/9, 10, 11, 73, 76, 17, 20, 38, 77,
D28/99, 75, 41; 248/121, 519, 188.7, 523;
D6/677.3, 405, 682.6, 682.5; D10/125;
D24/233, 128, 214, 194; D3/27, 23,
D3/24, 205, 215, 224, 229; 132/273, 56;
112/169; D16/242, 249; 211/85.23,
211/70.6; D4/127, 128, 114, 138; 606/234;
D21/682; D18/15; 224/245, 148.4,
224/148.6
CPC A47K 1/08; A47F 5/08; A47F 5/02;
A47F 5/04; A45F 3/16; A45F 3/18
See application file for complete search history.

- D298,382 S * 11/1988 Webster D3/229
- 4,867,360 A * 9/1989 Howard 224/245
- 5,871,106 A * 2/1999 Oksa et al. 211/70.6
- D482,863 S * 12/2003 Flood D3/224
- 7,100,810 B1 * 9/2006 Bosch et al. 224/682
- D572,465 S * 7/2008 Beck D3/215
- D702,887 S * 4/2014 Petruccelli D28/73
- D703,381 S * 4/2014 Petruccelli D28/73
- D703,383 S * 4/2014 Petruccelli D28/73

* cited by examiner

Primary Examiner — Marianne Pandozzi
(74) *Attorney, Agent, or Firm* — Paul B. Heynssens Attorney
at Law PLC

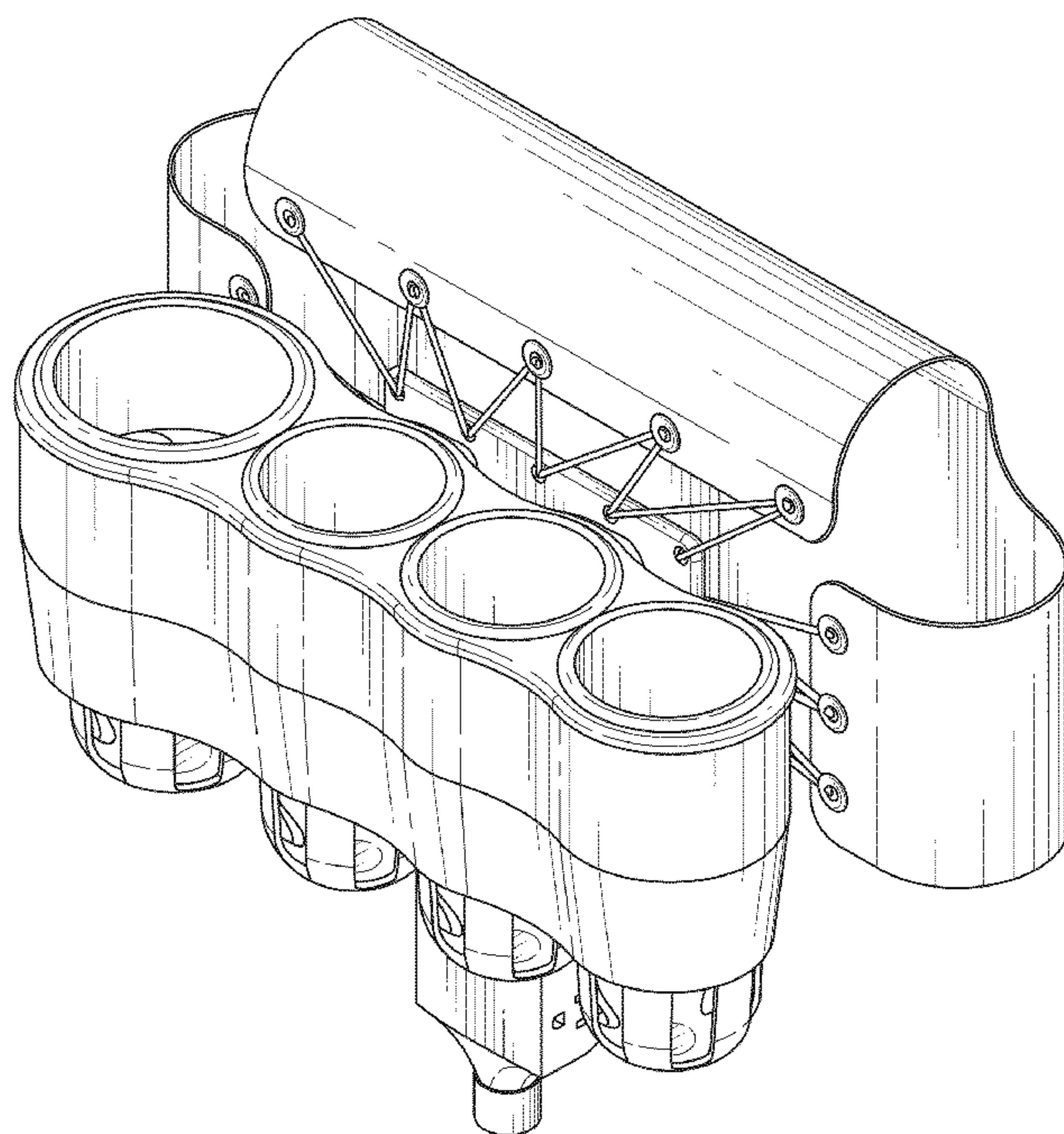
(57) **CLAIM**
The ornamental design for a hair stylist's chair accessory, as
shown.

DESCRIPTION

FIG. 1 is a front top right perspective view of a hair stylist's
chair accessory showing my new design;
FIG. 2 is a front top left perspective view of a hair stylist's
chair accessory showing my new design;
FIG. 3 is a front bottom right perspective view of a hair
stylist's chair accessory showing my new design;
FIG. 4 is a front bottom left perspective view of a hair stylist's
chair accessory showing my new design;
FIG. 5 is a front view thereof;
FIG. 6 is a right view thereof;
FIG. 7 is a left view thereof;
FIG. 8 is a top view thereof;
FIG. 9 is a bottom view thereof; and,
FIG. 10 is a rear view thereof.

- (56) **References Cited**
U.S. PATENT DOCUMENTS
4,330,073 A * 5/1982 Clark 224/223
4,449,654 A * 5/1984 Cappis 224/148.6

1 Claim, 10 Drawing Sheets



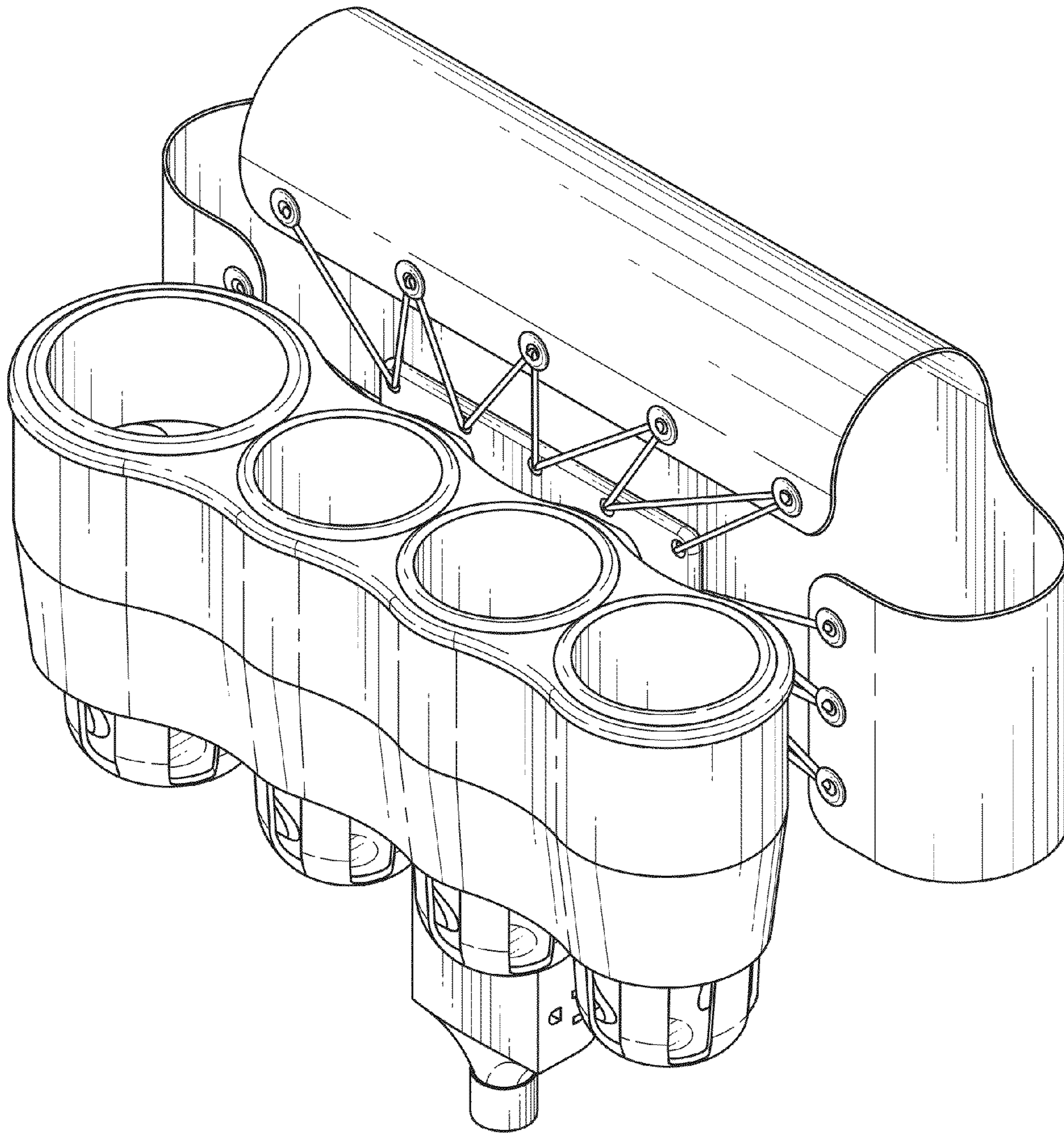


FIG. 1

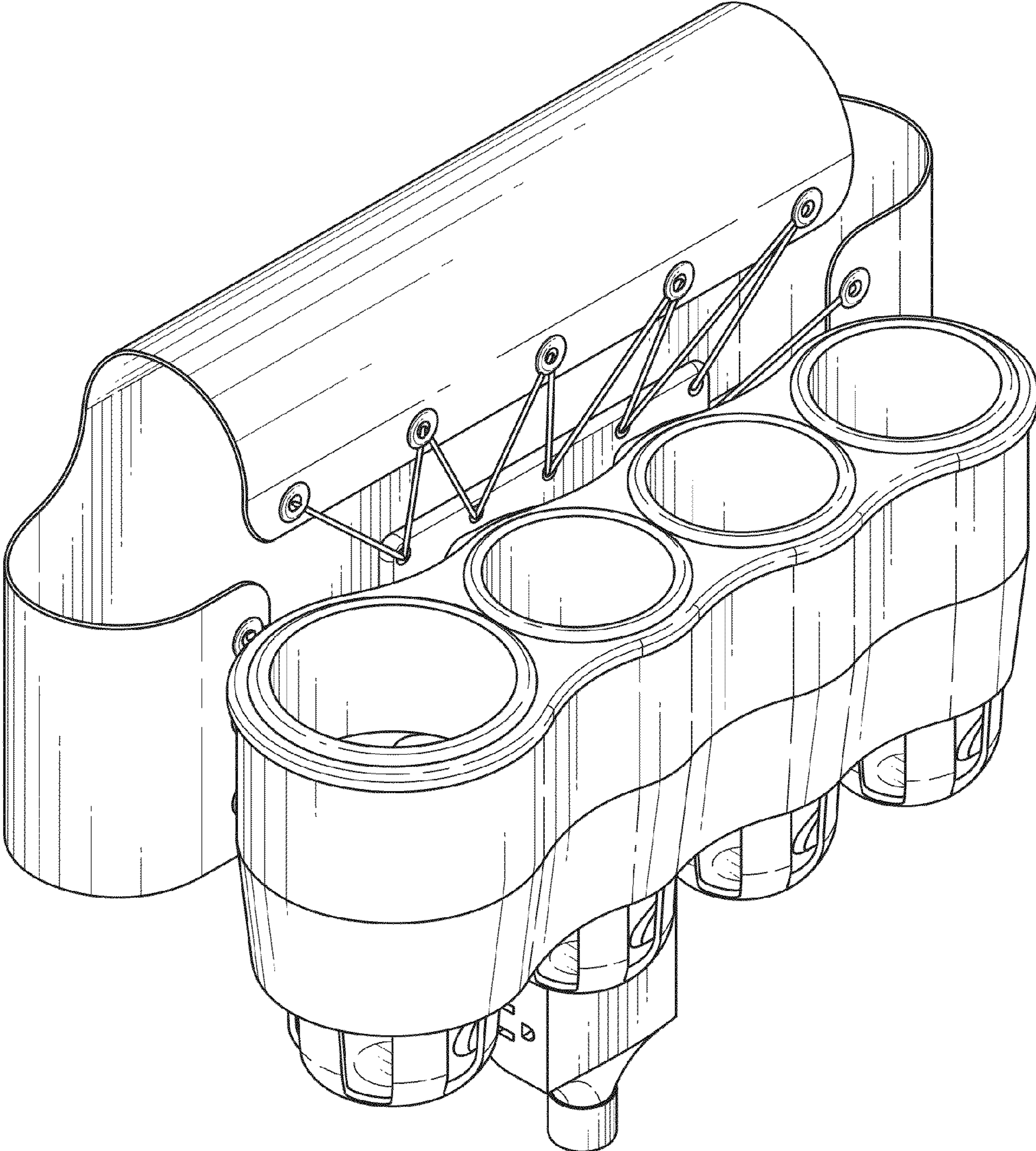


FIG. 2

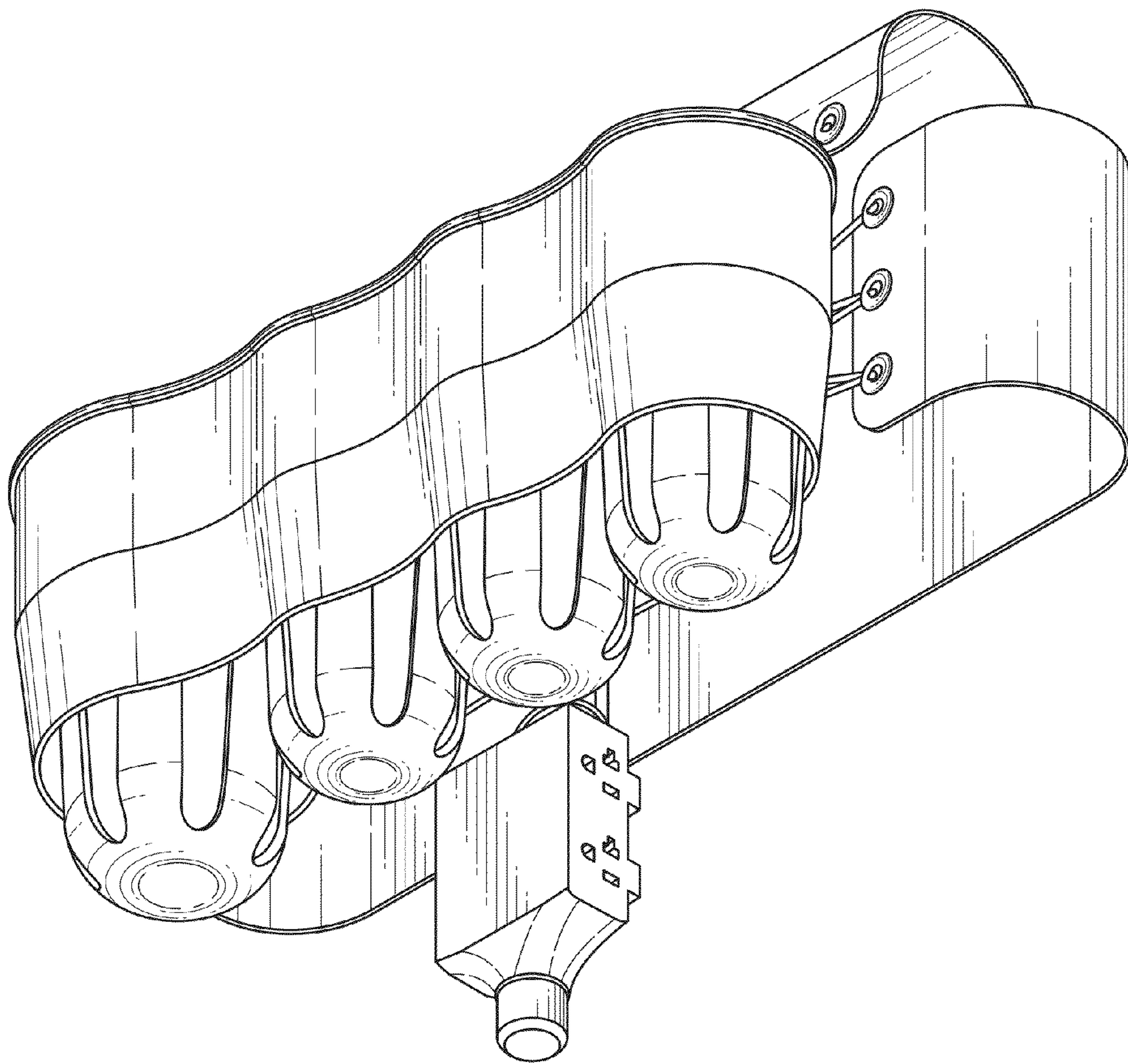


FIG. 3

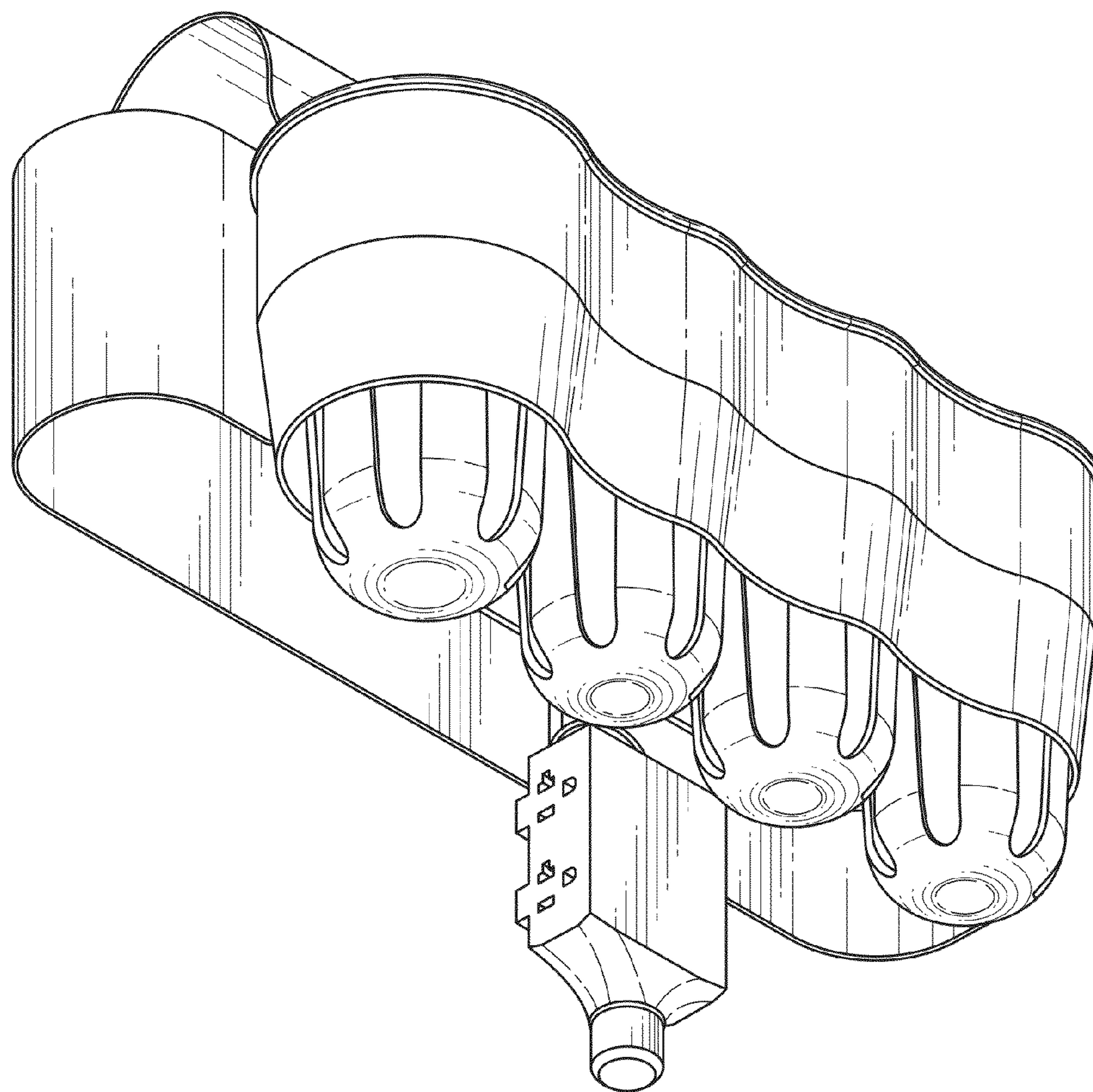


FIG. 4

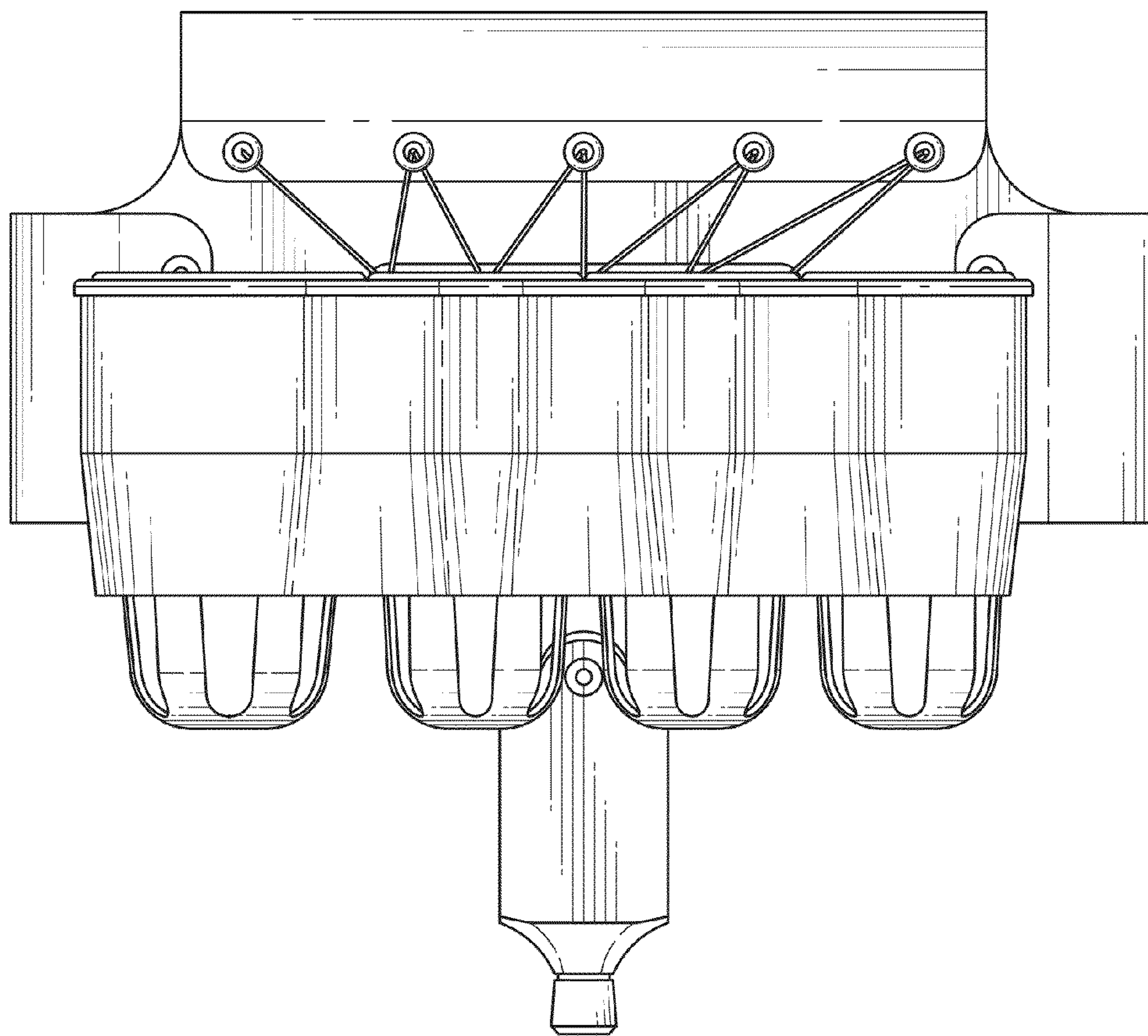


FIG. 5

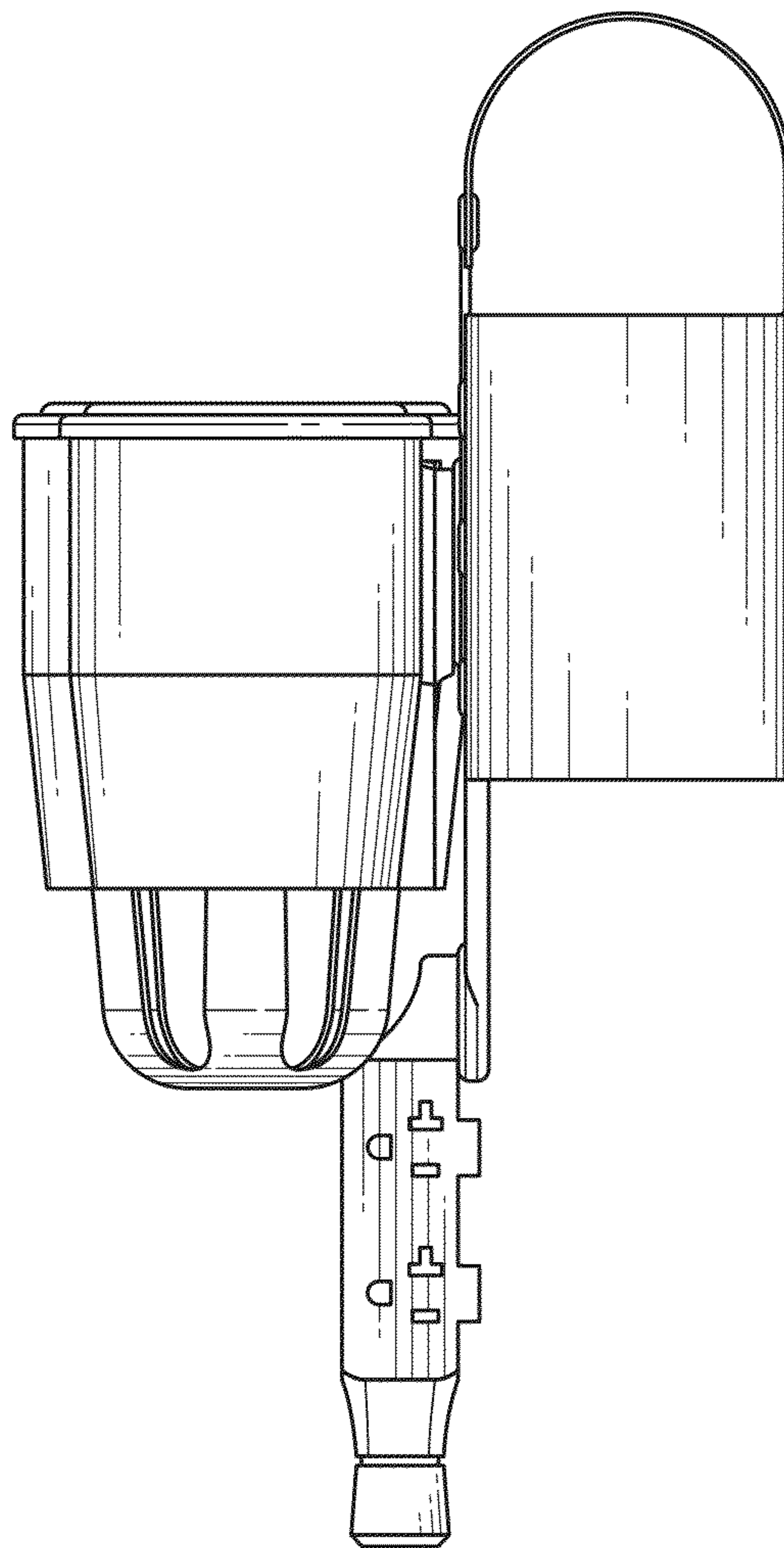


FIG. 6

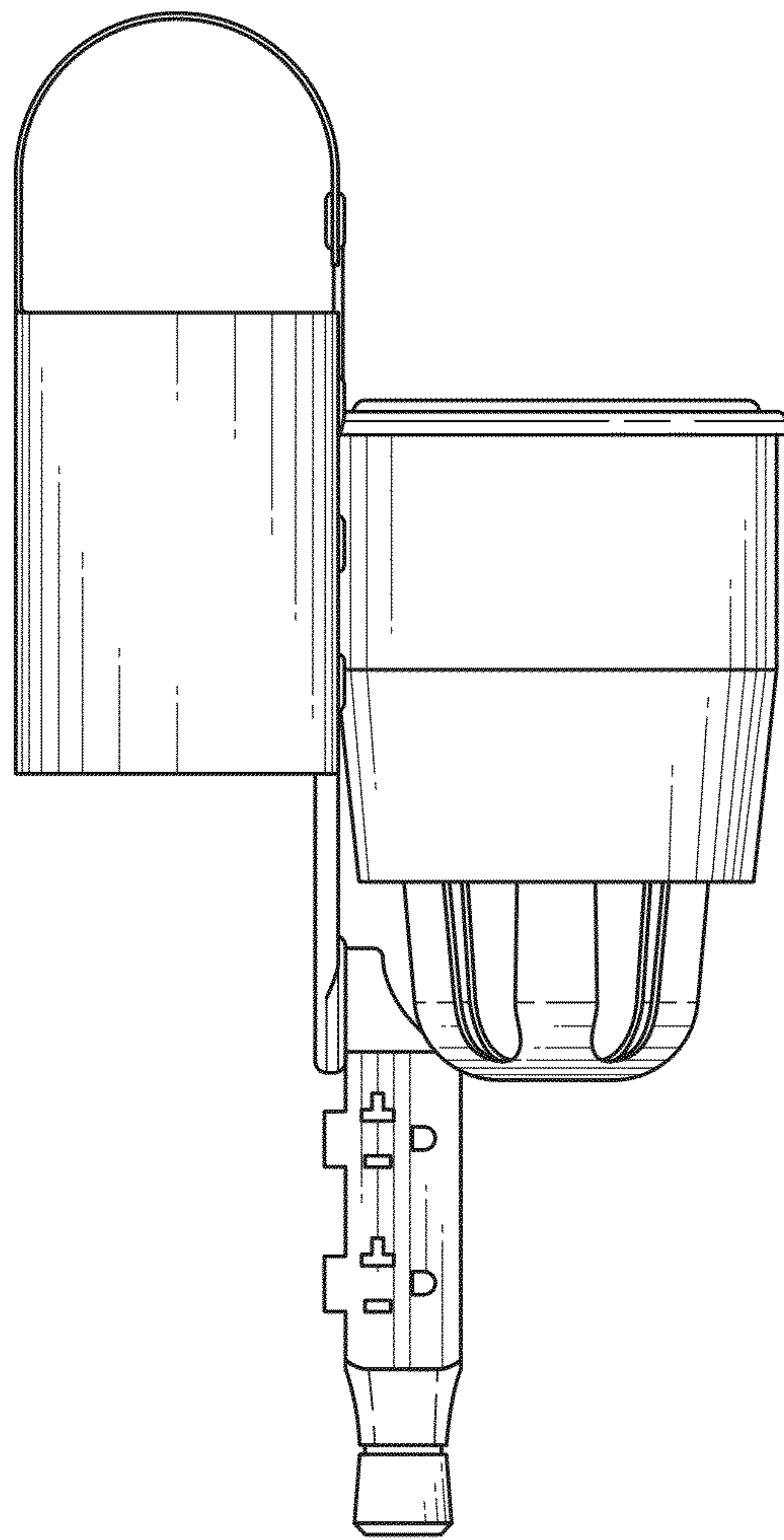


FIG. 7

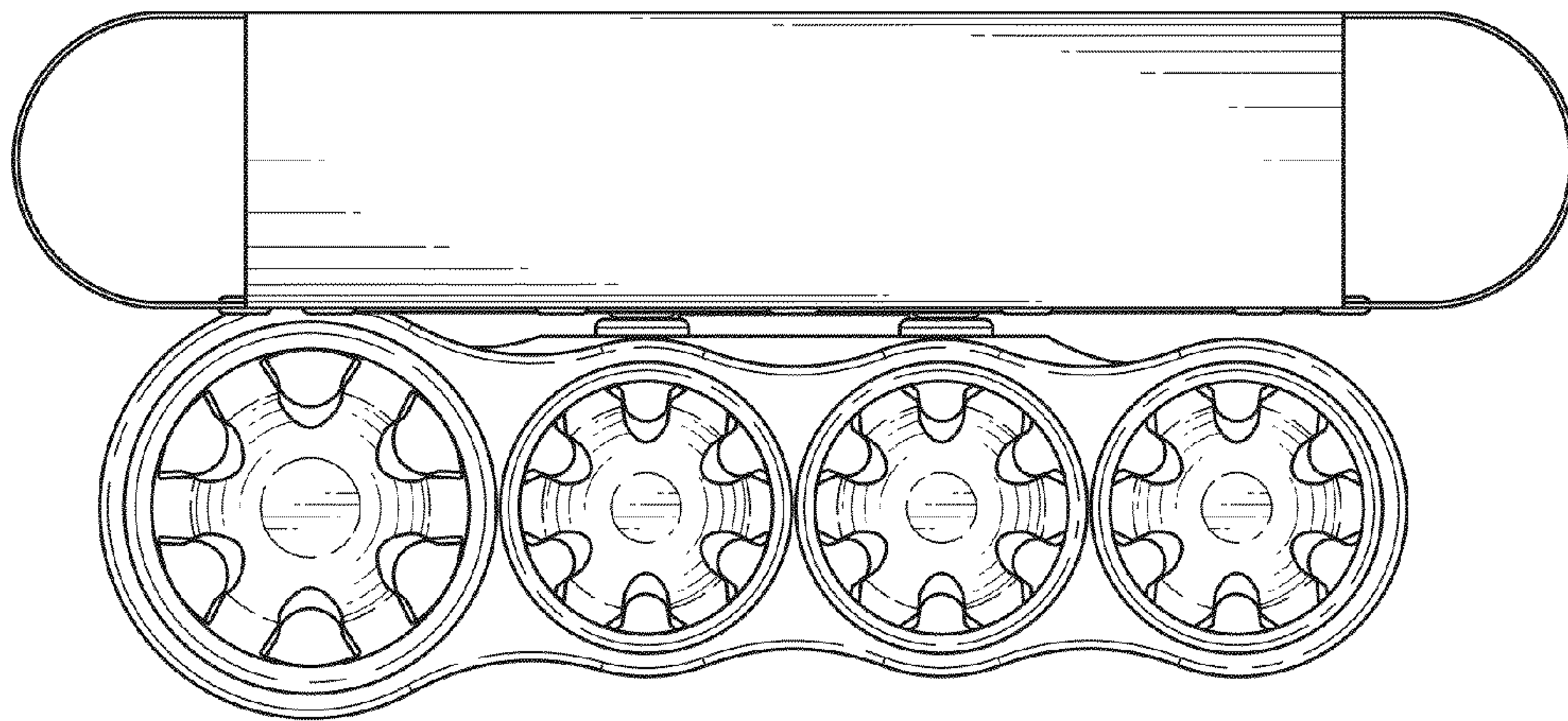


FIG. 8

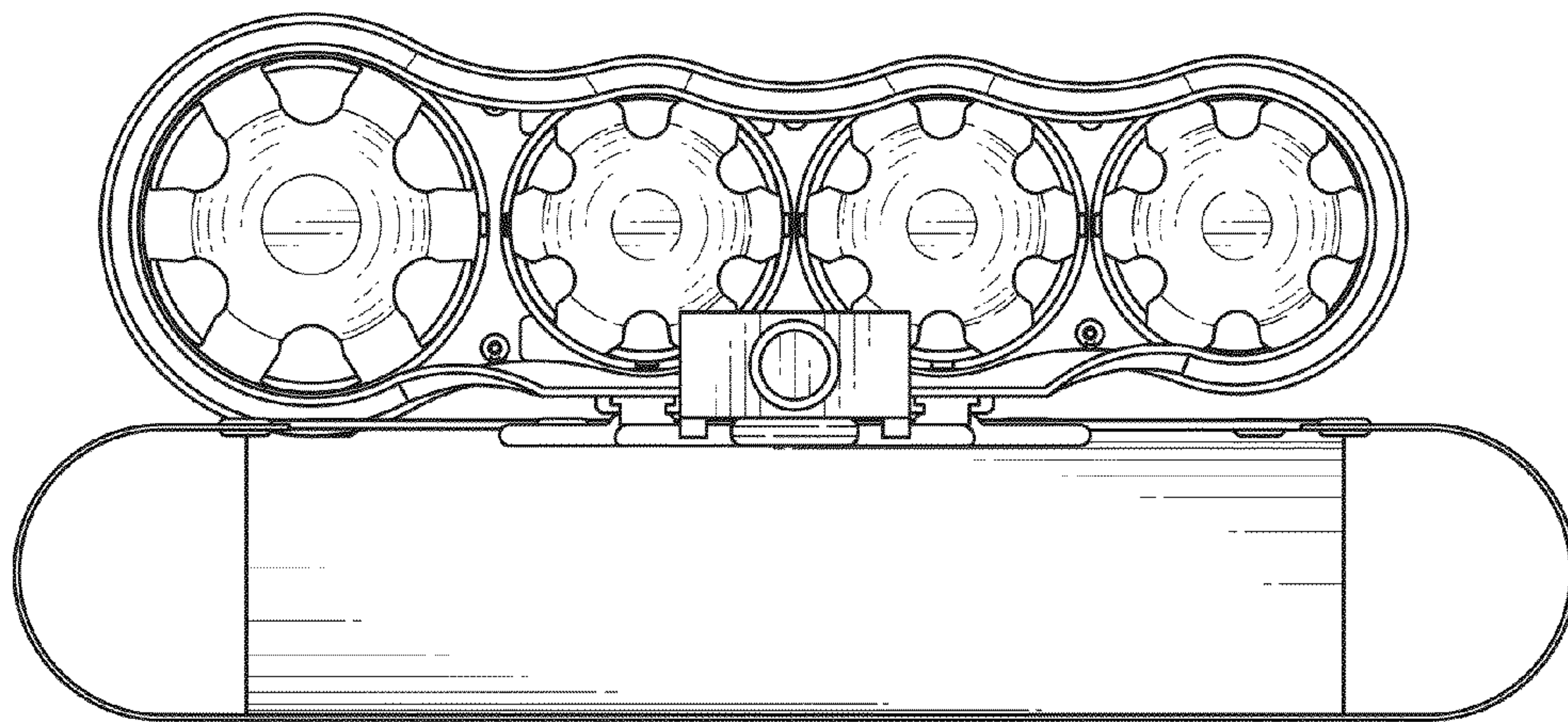


FIG. 9

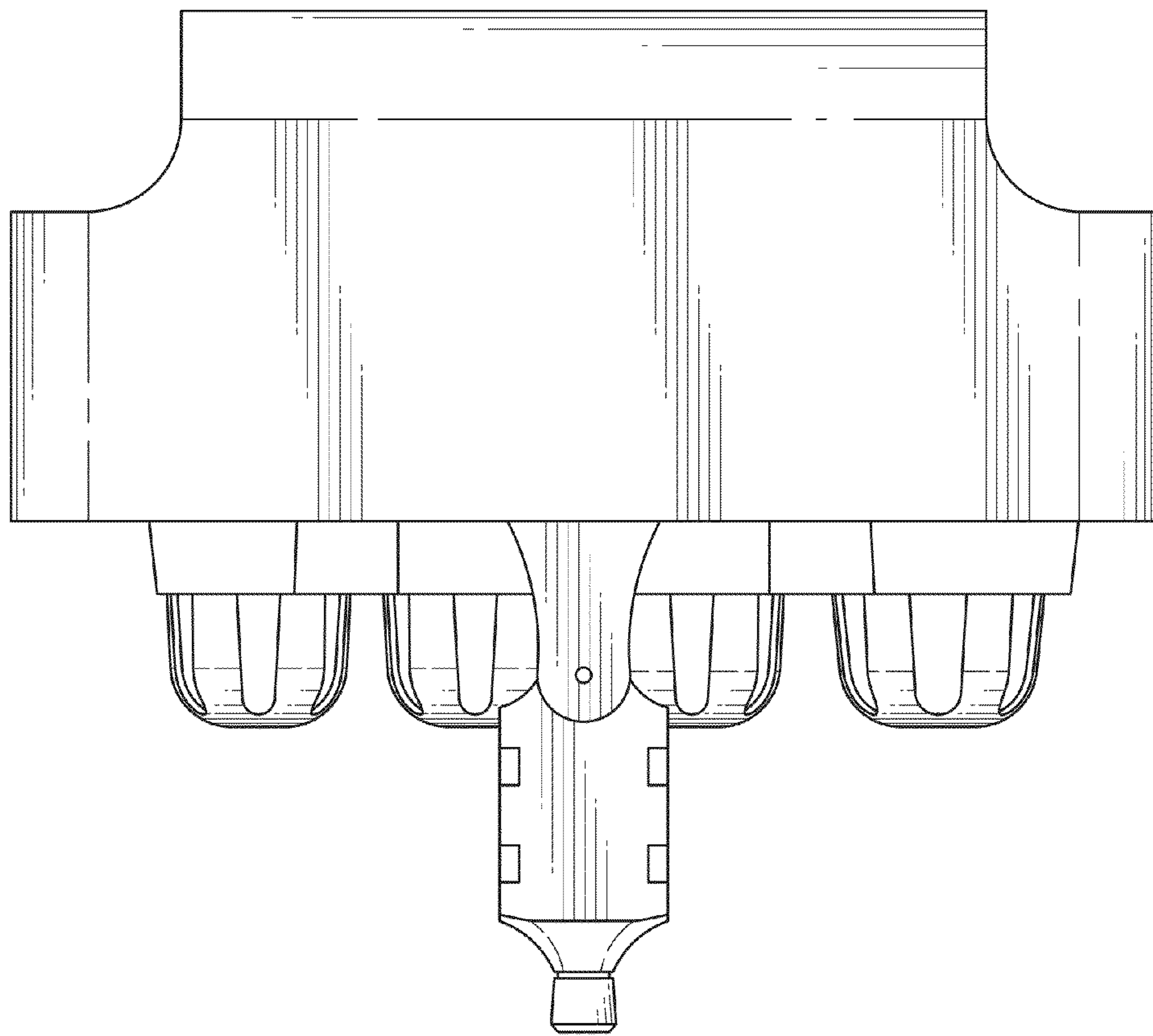


FIG. 10