



US00D747551S

(12) **United States Design Patent**
Marut

(10) **Patent No.:** **US D747,551 S**
(45) **Date of Patent:** **** Jan. 12, 2016**

(54) **SHAVER**

(71) Applicant: **Brett Marut**, Miami Beach, CA (US)

(72) Inventor: **Brett Marut**, Miami Beach, CA (US)

(**) Term: **14 Years**

(21) Appl. No.: **29/495,073**

(22) Filed: **Jun. 26, 2014**

(51) **LOC (10) Cl.** **28-03**

(52) **U.S. Cl.**

USPC **D28/51; D28/53**

(58) **Field of Classification Search**

USPC D28/44, 49-54

CPC B26B 19/00-19/107; B26B 19/12-19/22;

B26B 19/28-19/36; B26B 19/3806-19/3826;

B26B 19/384; B26B 19/3846; B26B

19/3853-19/3866; B26B 19/3886; B26B

19/42; B26B 19/38

See application file for complete search history.

(56) **References Cited**

U.S. PATENT DOCUMENTS

D219,900 S *	2/1971	van Lelyveld	D28/51
D279,411 S *	6/1985	Abe	D28/53
D304,866 S *	11/1989	Yonezawa	D28/49
D402,404 S *	12/1998	Tanaka	D28/49
D403,115 S *	12/1998	Tanaka	D28/44

* cited by examiner

Primary Examiner — Jennifer Rivard

(74) *Attorney, Agent, or Firm* — Raymond Sun

(57) **CLAIM**

The ornamental design for a “shaver,” as shown and described.

DESCRIPTION

FIG. 1 is a perspective view of a shaver showing my new design.

FIG. 2 is a front view thereof;

FIG. 3 is a rear view thereof;

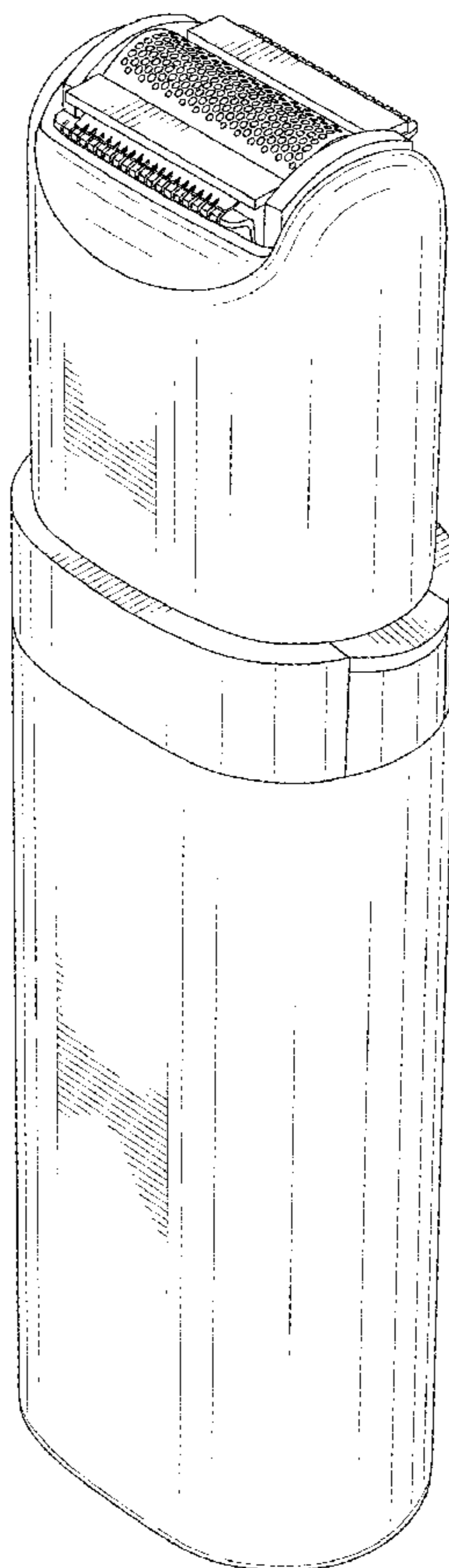
FIG. 4 is a left view thereof;

FIG. 5 is a right view thereof;

FIG. 6 is a top view thereof; and,

FIG. 7 is a bottom view thereof.

1 Claim, 6 Drawing Sheets



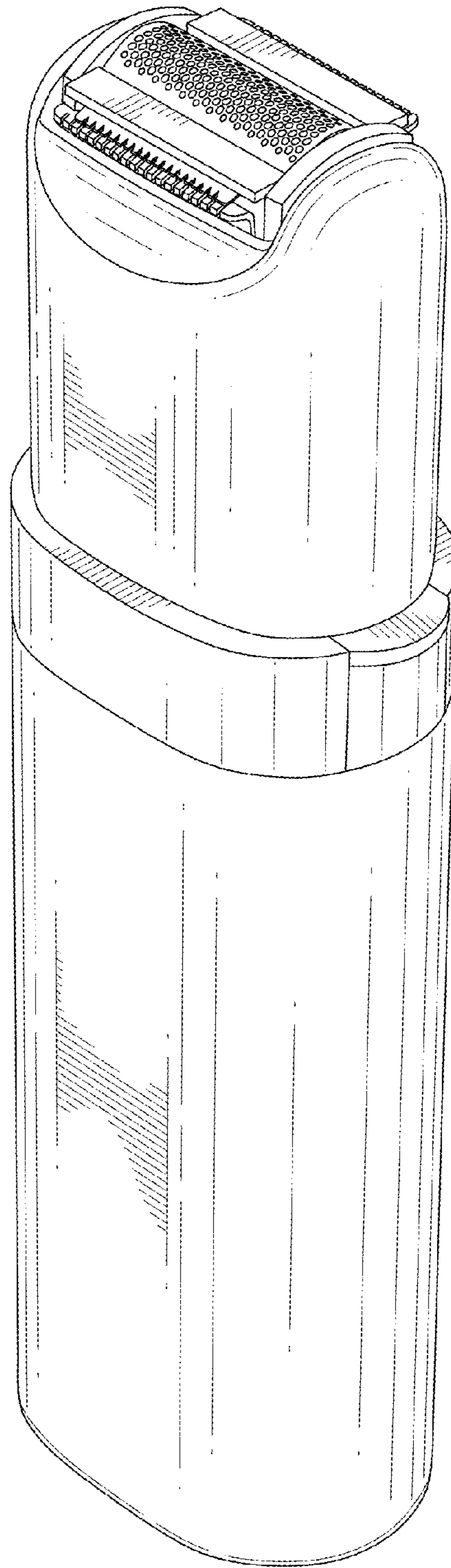


FIG. 1

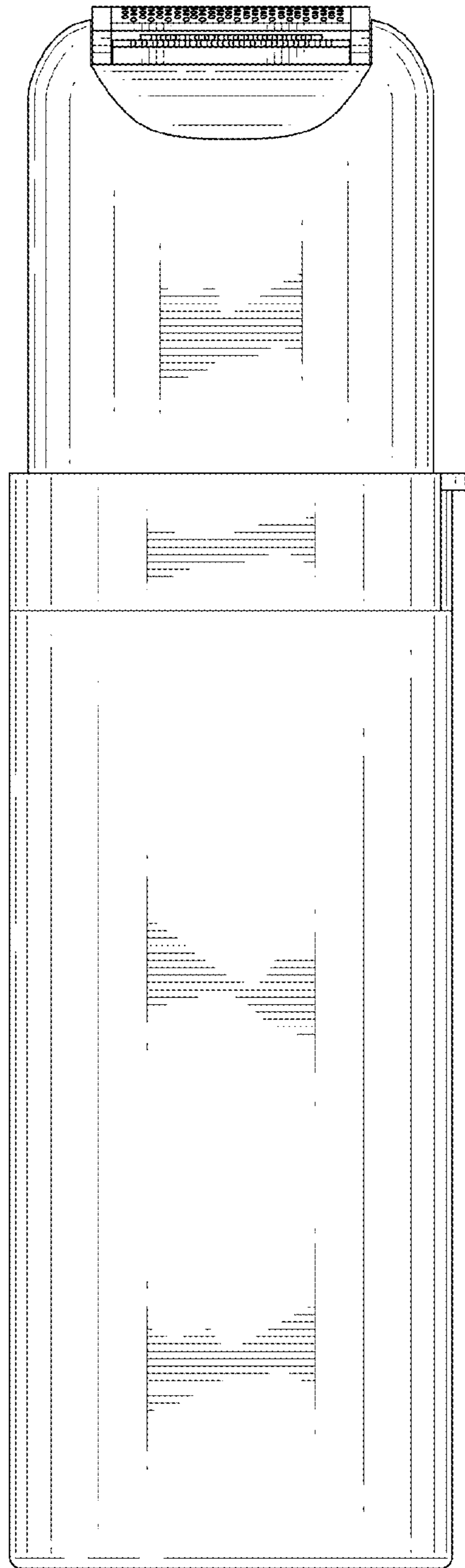


FIG. 2

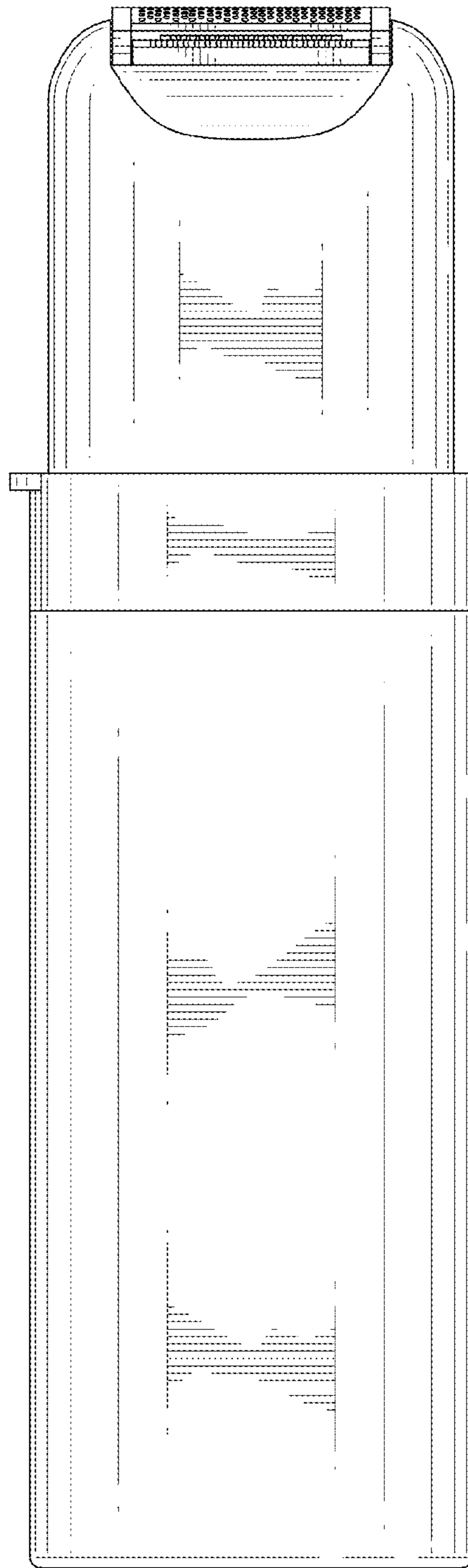


FIG. 3

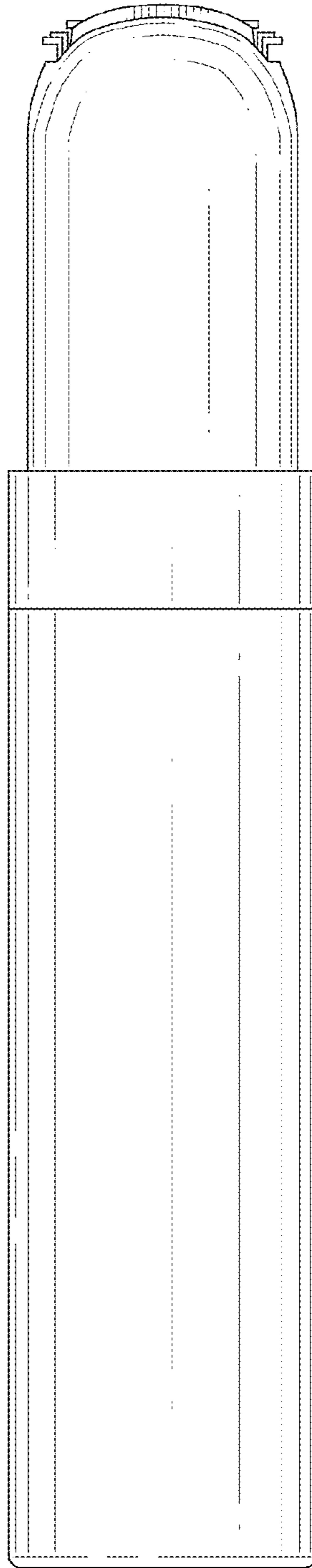


FIG.4

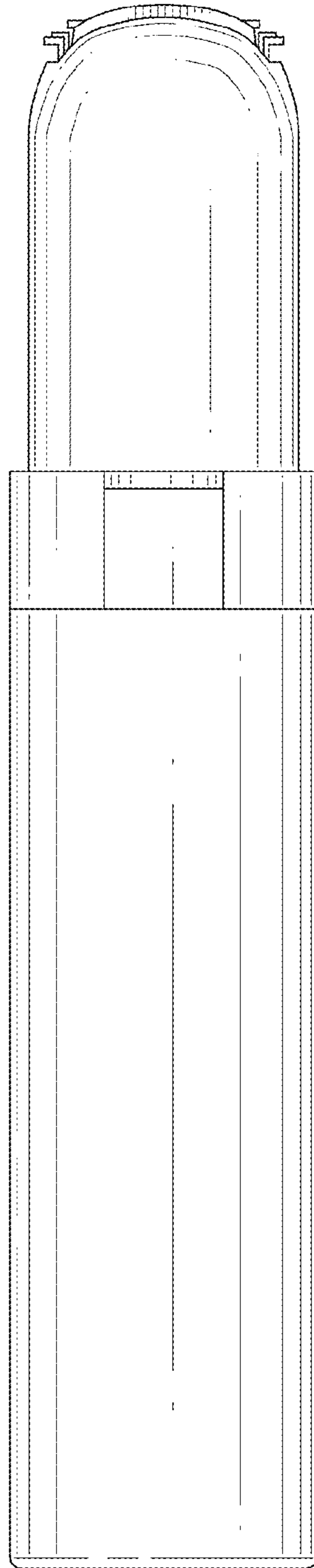


FIG. 5

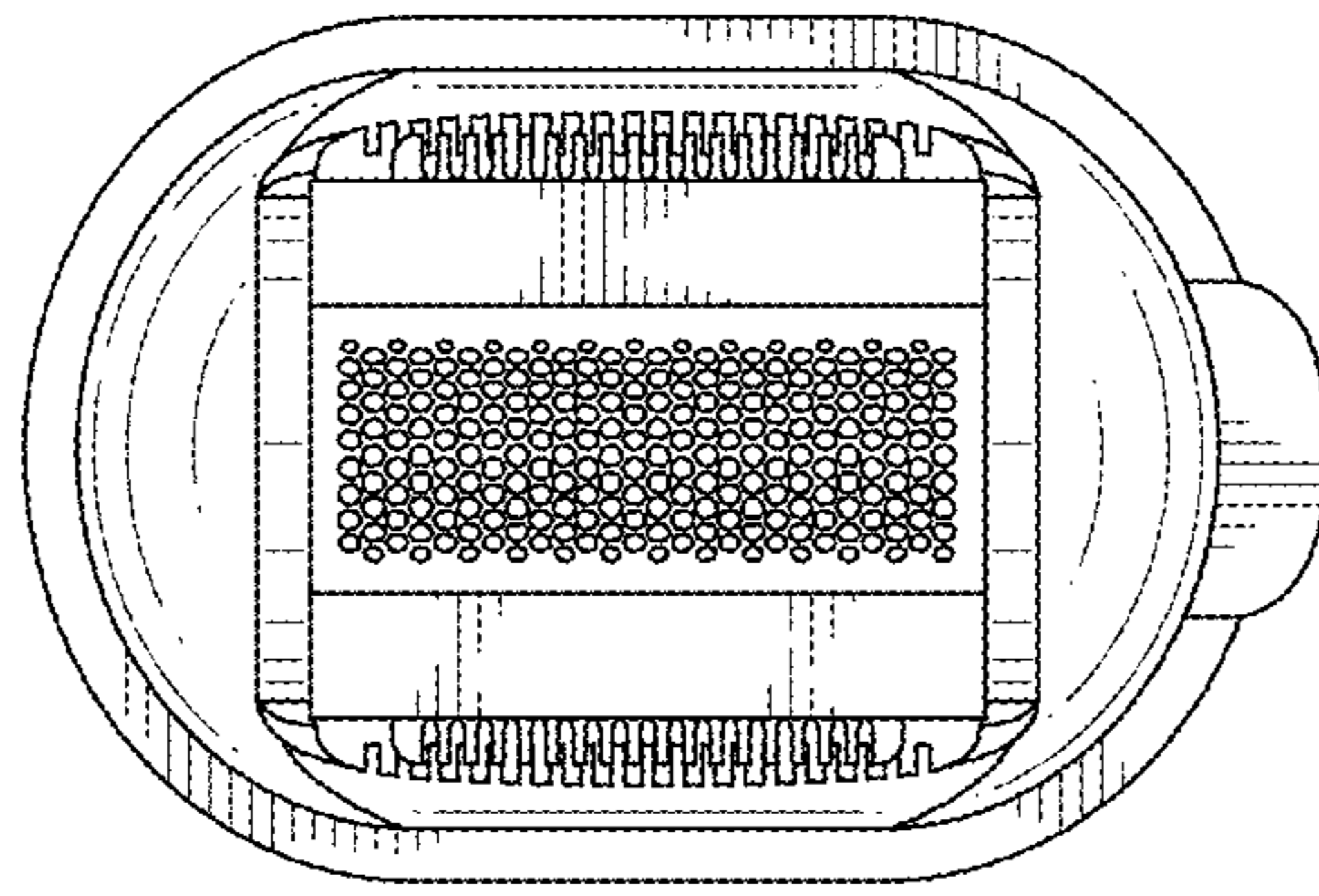


FIG. 6

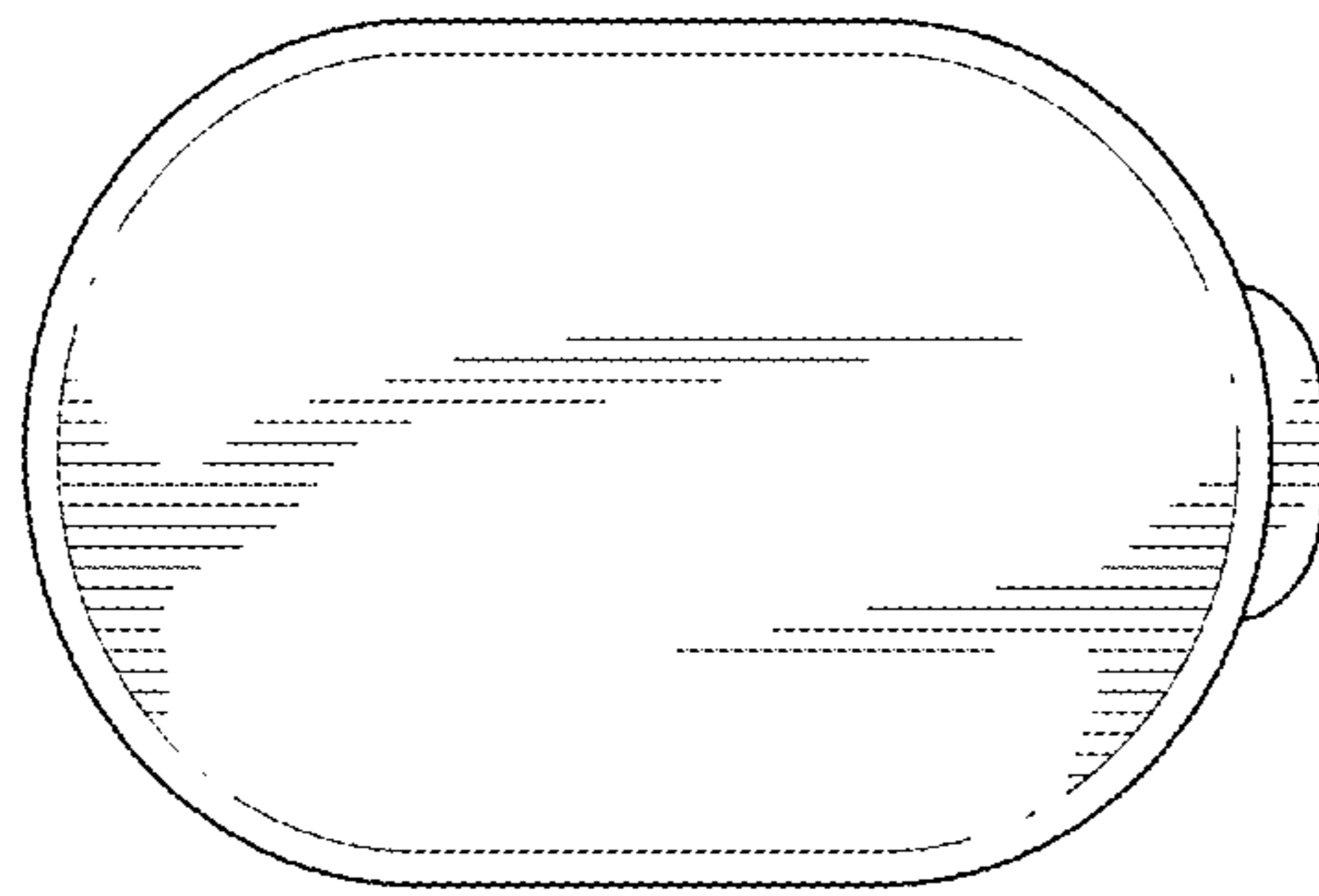


FIG. 7