



US00D747550S

(12) **United States Design Patent**
Eagleton et al.

(10) **Patent No.:** **US D747,550 S**
(45) **Date of Patent:** **** Jan. 12, 2016**

- (54) **RAZOR HANDLE**
- (71) Applicant: **The Gillette Company**, Boston, MA (US)
- (72) Inventors: **Christopher Raymond Eagleton**, Devizes (GB); **Terence Gordon Royle**, Basingstoke (GB); **Rosanna Elizabeth Wells**, Sudbury (GB); **Vanessa Christie**, Boston, MA (US); **Andrew Anthony Szczepanowski**, North Attleboro, MA (US)
- (73) Assignee: **The Gillette Company**, Boston, MA (US)

2,534,861 A	12/1950	Foltis
D250,664 S	12/1978	Kruger et al.
4,167,059 A	9/1979	Iten
4,976,030 A	12/1990	Boyd
5,129,157 A	7/1992	Wood
D349,242 S	8/1994	Lazarchik et al.
D352,568 S	11/1994	Meisner et al.
D363,142 S	10/1995	Shurtleff
D364,707 S	11/1995	Shurtleff
5,497,551 A	3/1996	Apprille, Jr.
D378,623 S	3/1997	Wonderley
D381,768 S	7/1997	Shurtleff
5,692,529 A	12/1997	Fekete
D389,966 S	1/1998	Melodia et al.
5,799,511 A	9/1998	Benderly

(Continued)

- (**) Term: **14 Years**
- (21) Appl. No.: **29/493,833**
- (22) Filed: **Jun. 13, 2014**

Related U.S. Application Data

- (62) Division of application No. 29/446,053, filed on Feb. 20, 2013, now Pat. No. Des. 710,542.
- (51) **LOC (10) Cl.** **28-03**
- (52) **U.S. Cl.**
USPC **D28/48**
- (58) **Field of Classification Search**
USPC D28/44-48
CPC B26B 21/00-21/12; B26B 21/14;
B26B 21/16; B26B 21/18; B26B
21/20-21/528; B26B 21/4062; B26B 21/4068;
B26B 21/4075
See application file for complete search history.

(56) **References Cited**

U.S. PATENT DOCUMENTS

971,772 A	10/1910	Millar
1,234,834 A	7/1917	Warren
2,338,880 A	1/1944	Testi

FOREIGN PATENT DOCUMENTS

WO WO-97/25189 7/1997

Primary Examiner — Jennifer Rivard

(74) *Attorney, Agent, or Firm* — Ronald Terk Sia; Kevin C. Johnson; Steven W. Miller

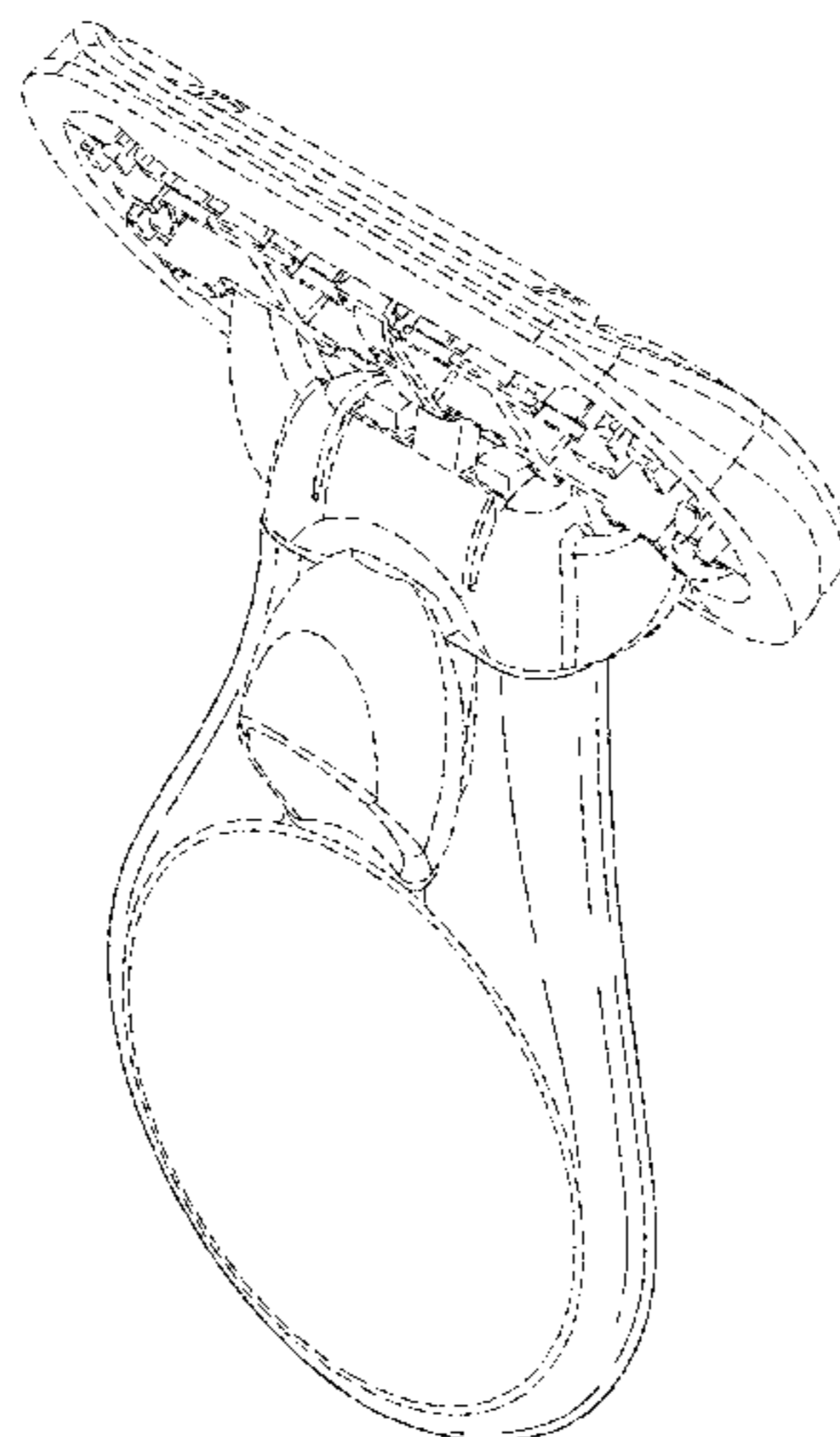
(57) **CLAIM**

The ornamental design for a razor handle, as shown and described.

DESCRIPTION

FIG. 1 is perspective view of a razor handle showing my new design;
 FIG. 2 is another perspective view thereof;
 FIG. 3 is a bottom view thereof;
 FIG. 4 is a top view thereof;
 FIG. 5 is a left view thereof;
 FIG. 6 is a right view thereof;
 FIG. 7 is a front view thereof; and,
 FIG. 8 is a rear view thereof.
 The dashed broken lines are directed to the environment and are for illustrative purposes only and form no part of the claimed design.

1 Claim, 3 Drawing Sheets



(56)

References Cited

U.S. PATENT DOCUMENTS

6,018,877 A 2/2000 Greene
6,112,421 A 9/2000 Greene
6,370,783 B1 4/2002 Bozikis et al.
6,817,468 B2 11/2004 Horesh
6,823,594 B2 11/2004 Kludjian et al.
D612,102 S 3/2010 Kling et al.
7,874,076 B2 1/2011 Gratsias et al.

D635,301 S 3/2011 Cormier
7,975,389 B2 7/2011 Bozikis et al.
D644,789 S 9/2011 Lukan et al.
D710,542 S * 8/2014 Eagleton et al. D28/48
2002/0083600 A1 * 7/2002 Donovan 30/526
2003/0033717 A1 2/2003 Cecil
2011/0016734 A1 1/2011 Kludjian et al.
2011/0088268 A1 4/2011 Marut
2011/0219620 A1 9/2011 Rehbein et al.
2012/0042478 A1 2/2012 Bridges

* cited by examiner

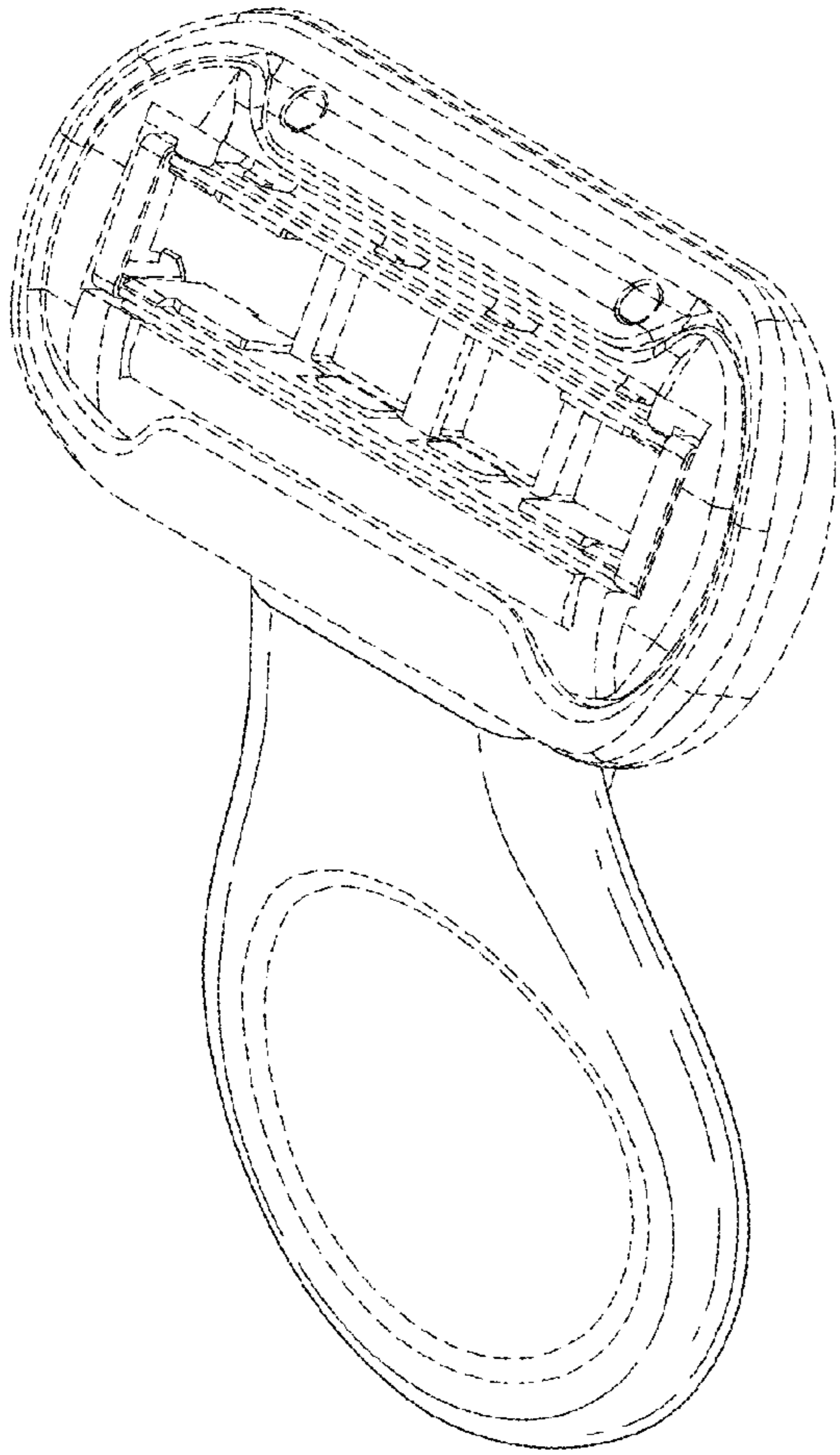


FIG. 1

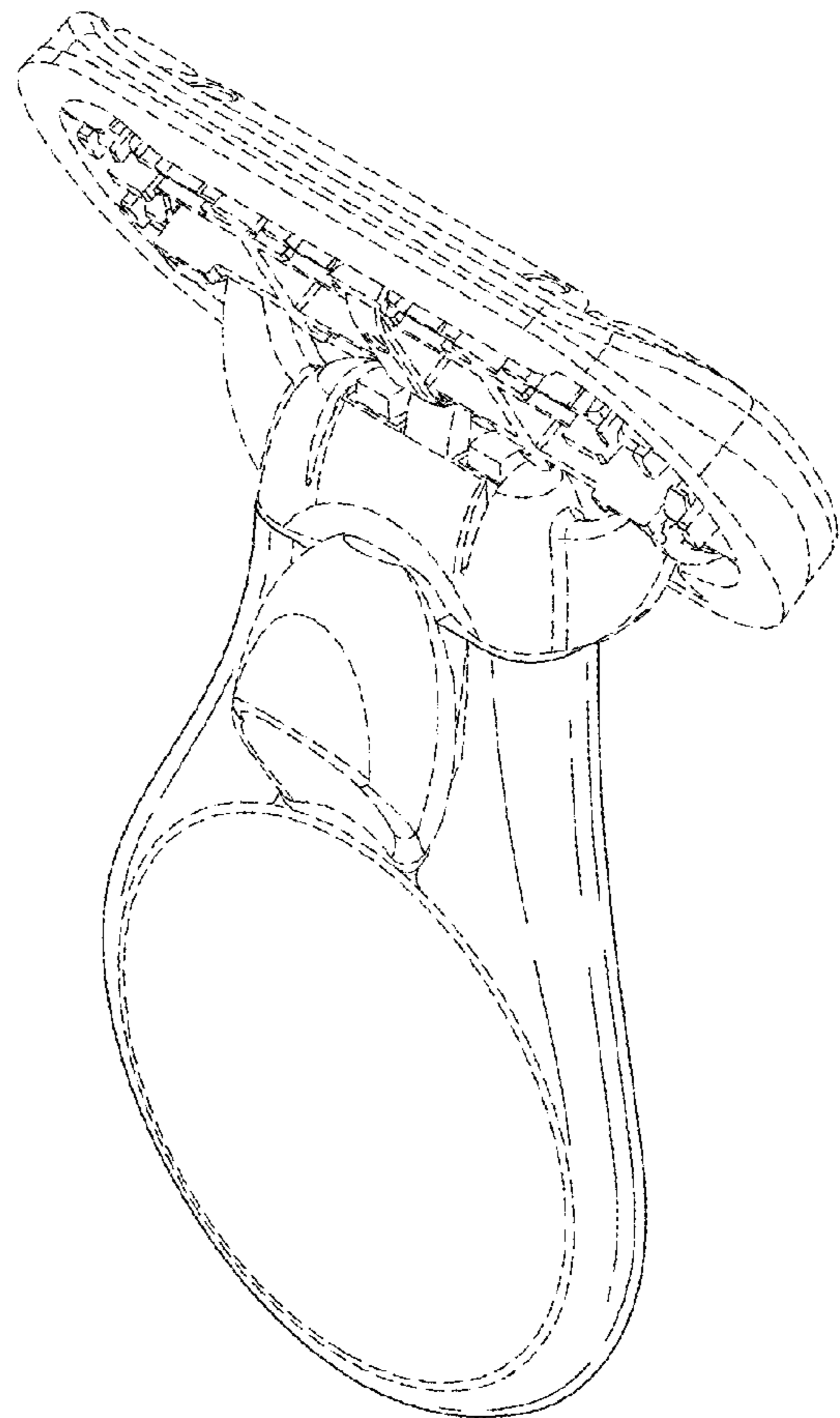


FIG. 2

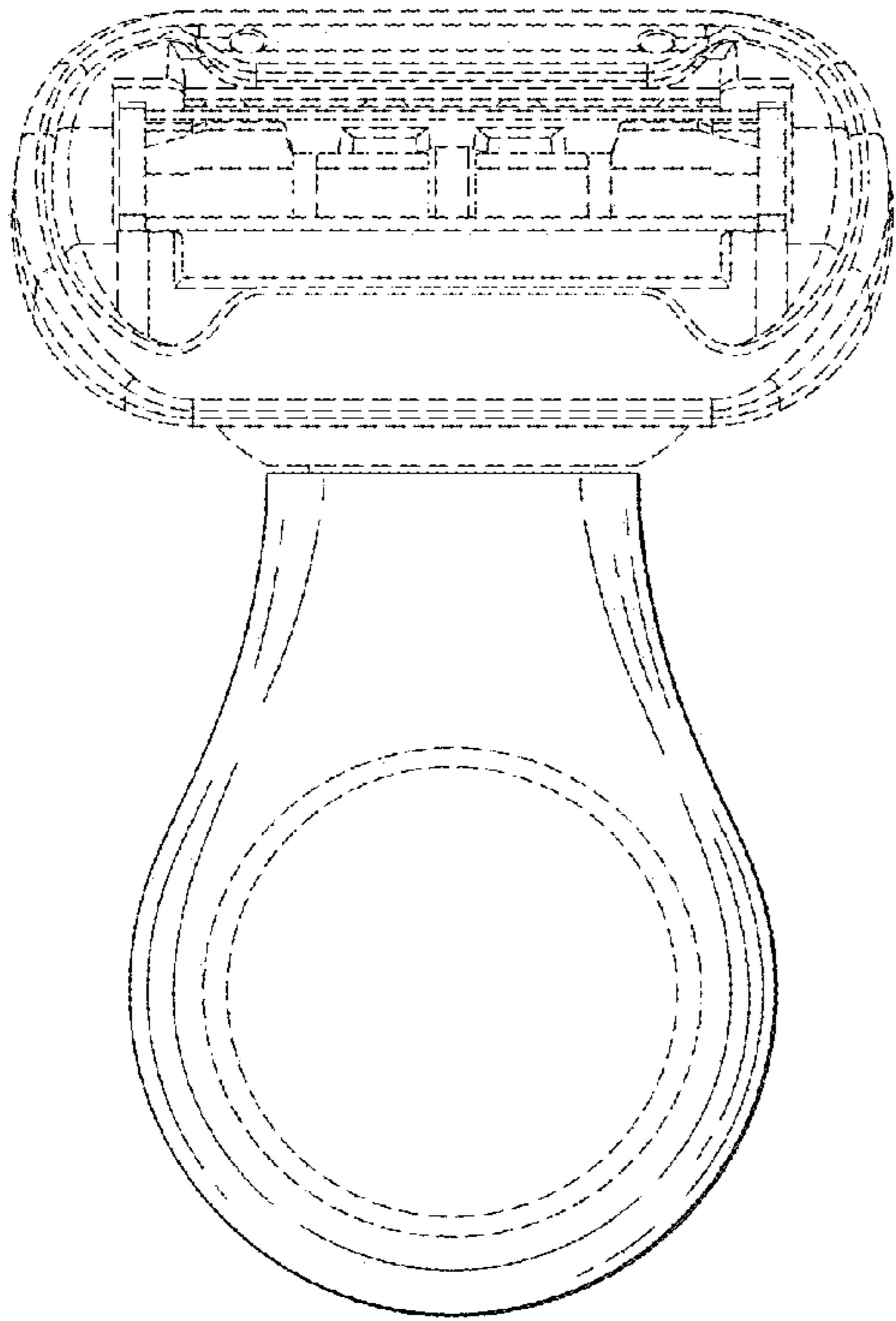


FIG. 3

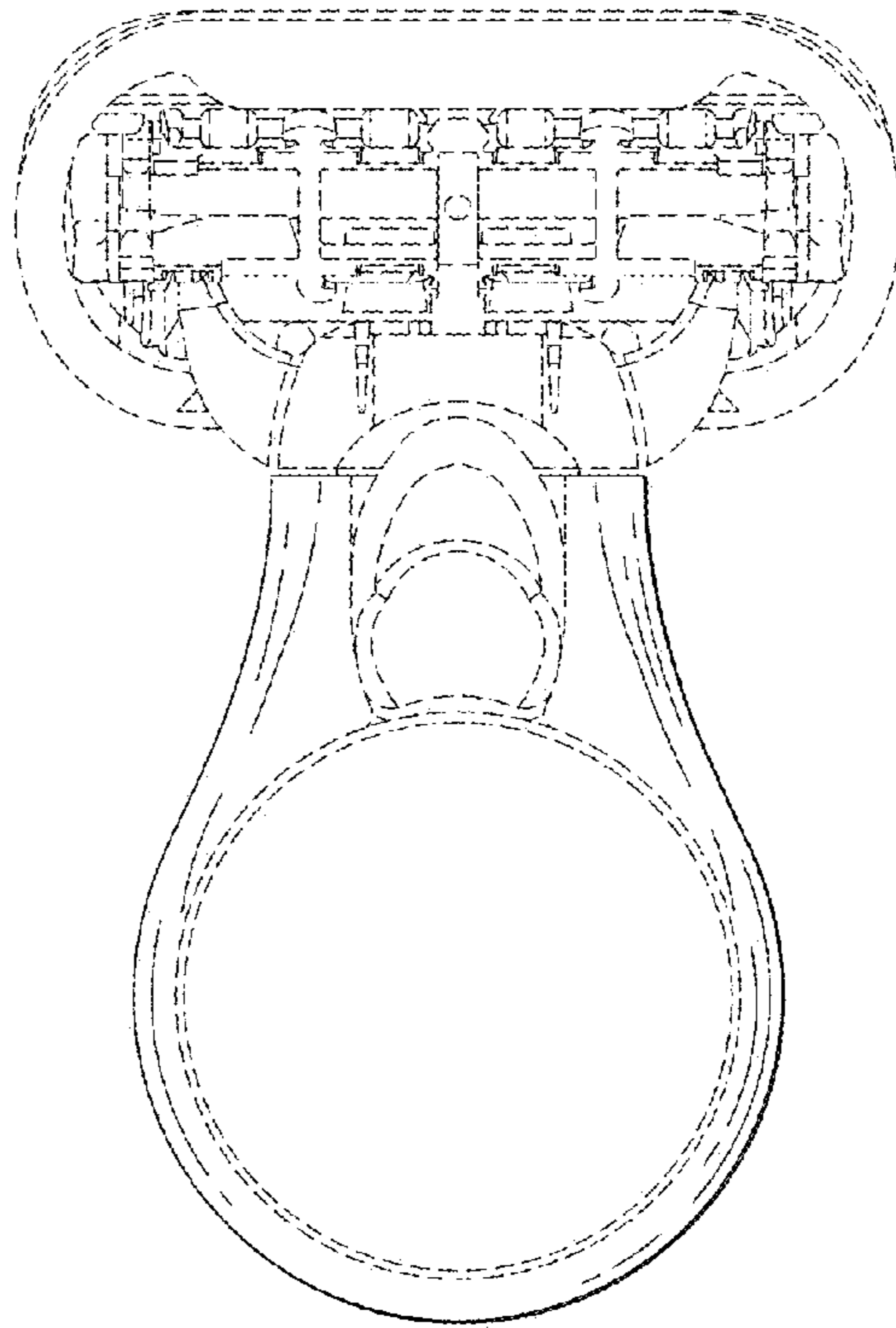


FIG. 4

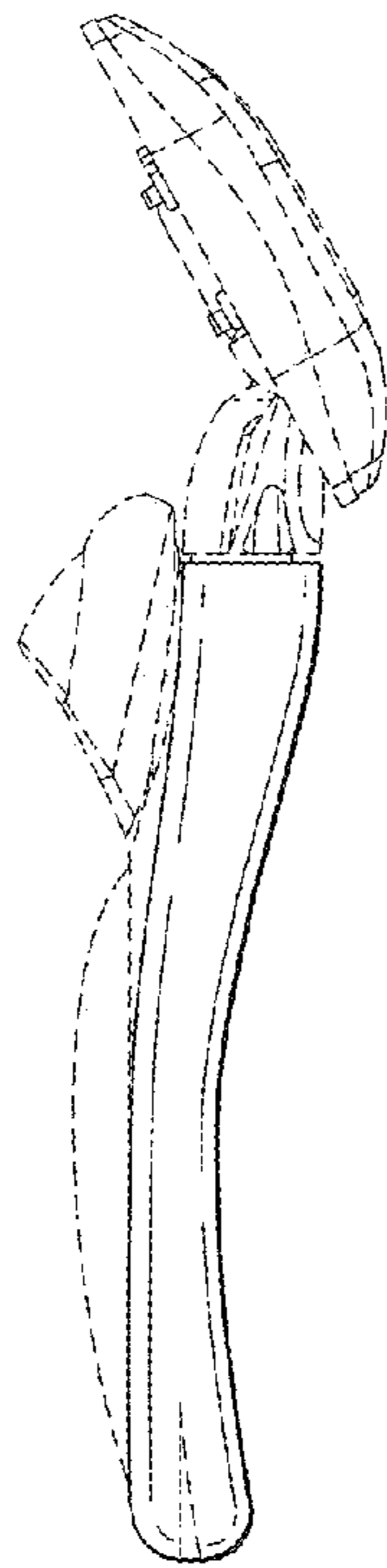


FIG. 5



FIG. 6

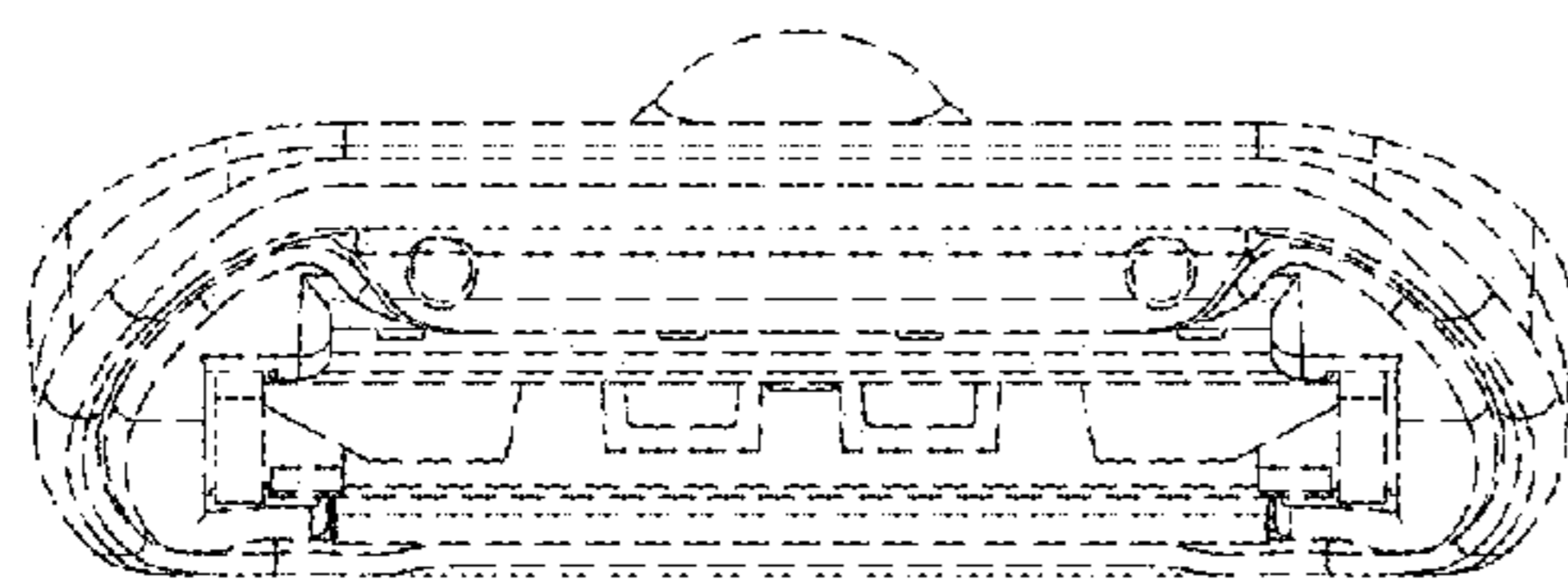


FIG. 7

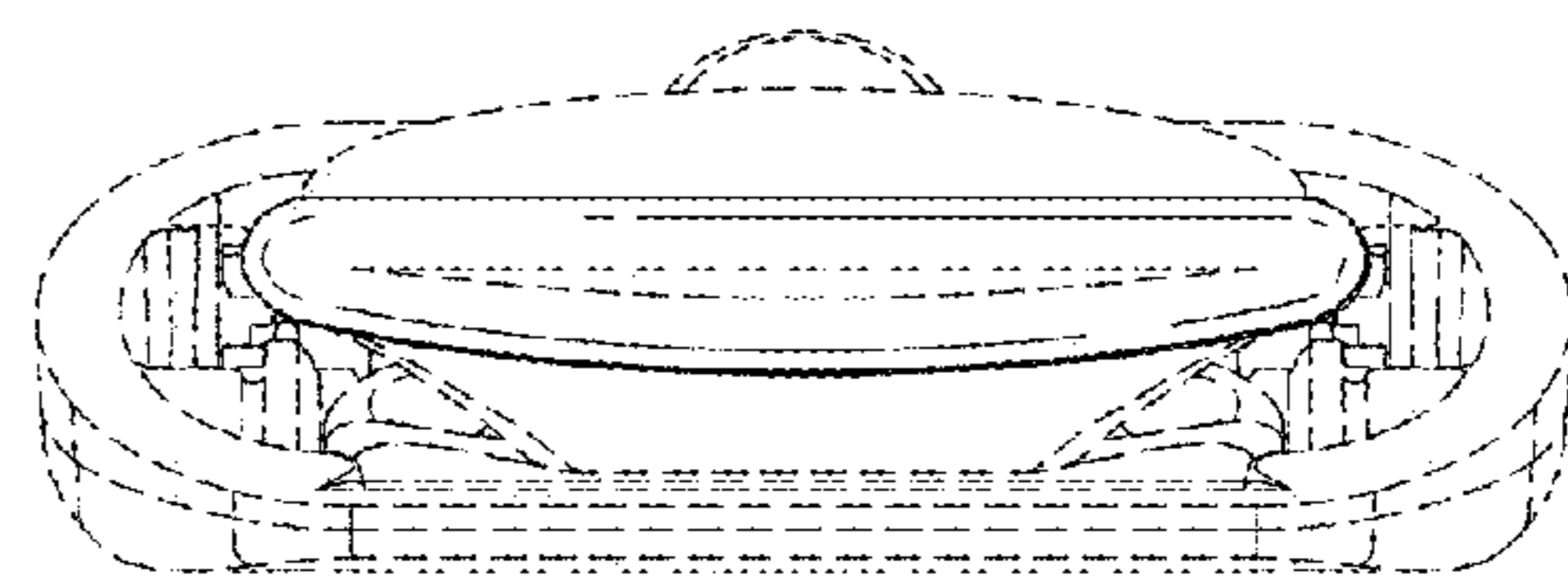


FIG. 8