



US00D747548S

(12) **United States Design Patent**
Mayor

(10) **Patent No.:** **US D747,548 S**
(45) **Date of Patent:** **** Jan. 12, 2016**

(54) **ELECTRONIC CIGARETTE TANK**

- (71) Applicant: **Michael James Mayor**, Riverton, UT (US)
- (72) Inventor: **Michael James Mayor**, Riverton, UT (US)
- (**) Term: **14 Years**
- (21) Appl. No.: **29/478,122**
- (22) Filed: **Dec. 31, 2013**

Related U.S. Application Data

- (63) Continuation-in-part of application No. 14/102,459, filed on Dec. 10, 2013, and a continuation-in-part of application No. 29/476,083, filed on Dec. 10, 2013.
- (51) **LOC (10) Cl.** **27-02**
- (52) **U.S. Cl.**
USPC **D27/167**
- (58) **Field of Classification Search**
USPC D27/100–101, 106, 143, 152, 161–172, D27/183–184, 187, 189, 190, 193–194; 131/220–222, 226, 173, 174, 194, 131/328–330, 270, 273; D7/584, 585; D9/500, 502, 688; D11/143, 144, 146, D11/152; D24/110.5, 110; 128/203.26
CPC A24F 1/02; A24F 1/04; A24F 1/06; A24F 1/08; A24F 1/10; A24F 1/12; A24F 1/14; A24F 1/22; A24F 9/16; A24F 47/002–47/008; A24F 1/30; A24F 47/00; A24F 7/00; A61M 15/06; A61M 15/00
See application file for complete search history.

(56) **References Cited**

U.S. PATENT DOCUMENTS

- 5,203,323 A * 4/1993 Tritle 128/200.23
- 7,287,530 B1 * 10/2007 Stuart 131/173
- 8,074,641 B2 * 12/2011 Gallem et al. 128/200.14

(Continued)

OTHER PUBLICATIONS

- Keenan, Jack, How to Clean the Volcano Tube Tank, May 20, 2012, eDripping.com, <http://edripping.com/about-ecigarettes/how-to-clean-the-volcano-tube-tank/>.*
- Reviews, Texas Tuff Tank, Jun. 4, 2012, Vape Dudes, <http://www.vapedudes.com/texas-tuff-tank/>.*
- Padilla, Raymond, Valley View Vapes Review, Feb. 12, 2013, YouTube.com, <https://www.youtube.com/watch?v=X17WSXubcUQ>.*

Primary Examiner — Susan Bennett Hattan

Assistant Examiner — Janice Hallmark

(74) *Attorney, Agent, or Firm* — Pate Peterson, PLLC; Brett Peterson

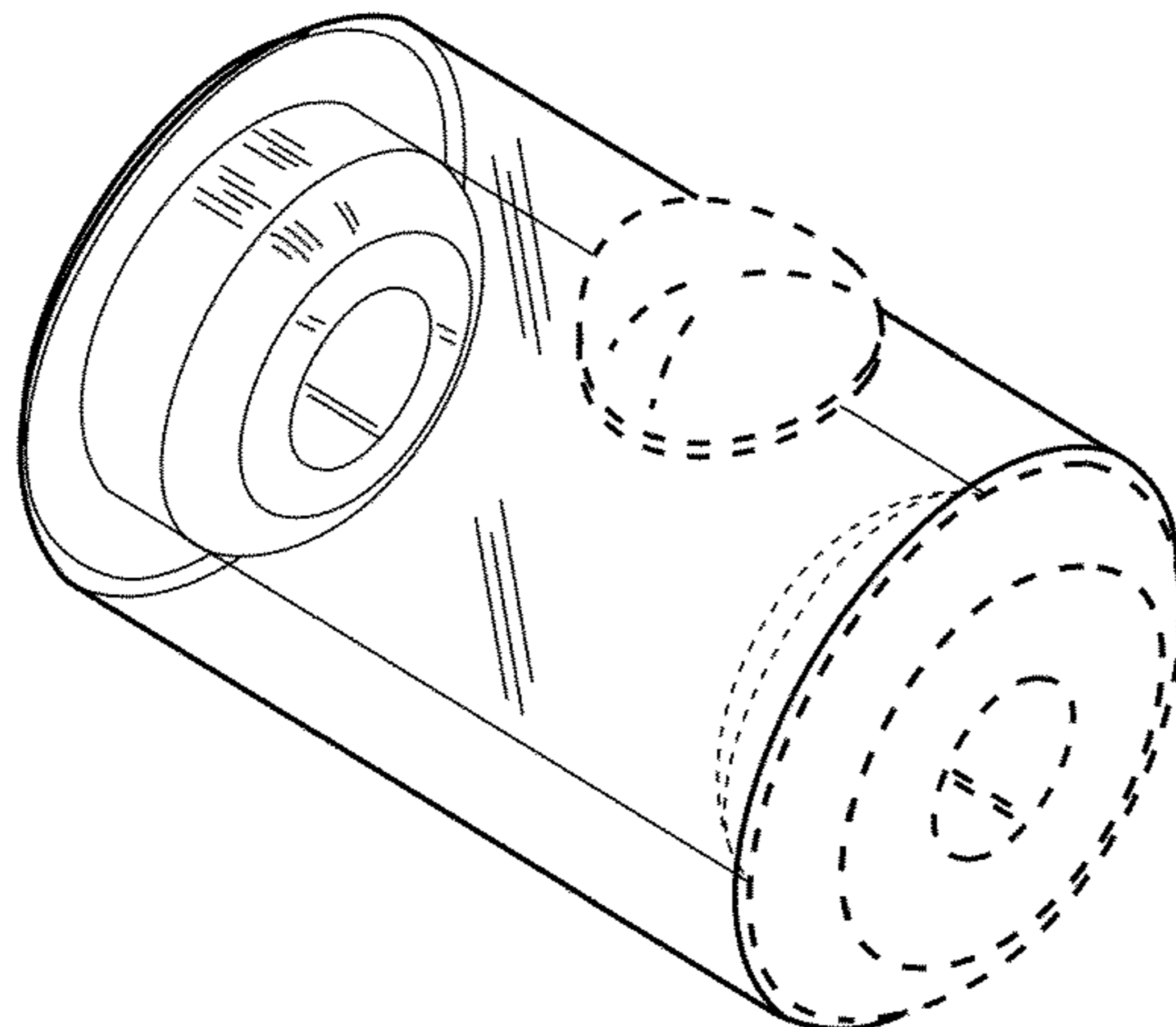
(57) **CLAIM**

I claim the ornamental design for the electronic cigarette tank, as shown and described.

DESCRIPTION

FIG. 1 is a front perspective view of the electronic cigarette tank.
 FIG. 2 is a rear perspective view of the electronic cigarette tank.
 FIG. 3 is a top view of the electronic cigarette tank.
 FIG. 4 is a bottom view of the electronic cigarette tank.
 FIG. 5 is a left side view of the electronic cigarette tank.
 FIG. 6 is a right side view of the electronic cigarette tank.
 FIG. 7 is a back side view of the electronic cigarette tank.
 FIG. 8 is a front side view of the electronic cigarette tank.
 FIG. 9 is a partially cut-away left side view of the electronic cigarette tank; and,
 FIG. 10 is a left side view of the electronic cigarette tank with a cartomizer inserted therein.
 The broken line portions of the electronic cigarette tank and the broken line environmental showing of the cartomizer are not claimed as part of the claimed design.

1 Claim, 10 Drawing Sheets



(56)

References Cited

U.S. PATENT DOCUMENTS

D652,571 S *	1/2012	Shenassa et al.	D27/163	2012/0318261 A1 *	12/2012	Newhouse et al.	128/200.23
D682,465 S *	5/2013	Yeom	D27/194	2013/0087160 A1 *	4/2013	Gherghe	131/329
D702,876 S *	4/2014	Liu	D27/194	2013/0146074 A1 *	6/2013	Virga et al.	131/328
D717,424 S *	11/2014	Steelman et al.	D24/110	2013/0152922 A1 *	6/2013	Benassayag et al.	128/202.21
2006/0272659 A1 *	12/2006	Kobal et al.	131/187	2013/0180533 A1 *	7/2013	Kim et al.	131/273
2009/0217933 A1 *	9/2009	Chen	131/185	2013/0276781 A1 *	10/2013	Steelman et al.	128/203.12
				2014/0109921 A1 *	4/2014	Chen	131/273
				2014/0123989 A1 *	5/2014	LaMothe	131/328

* cited by examiner

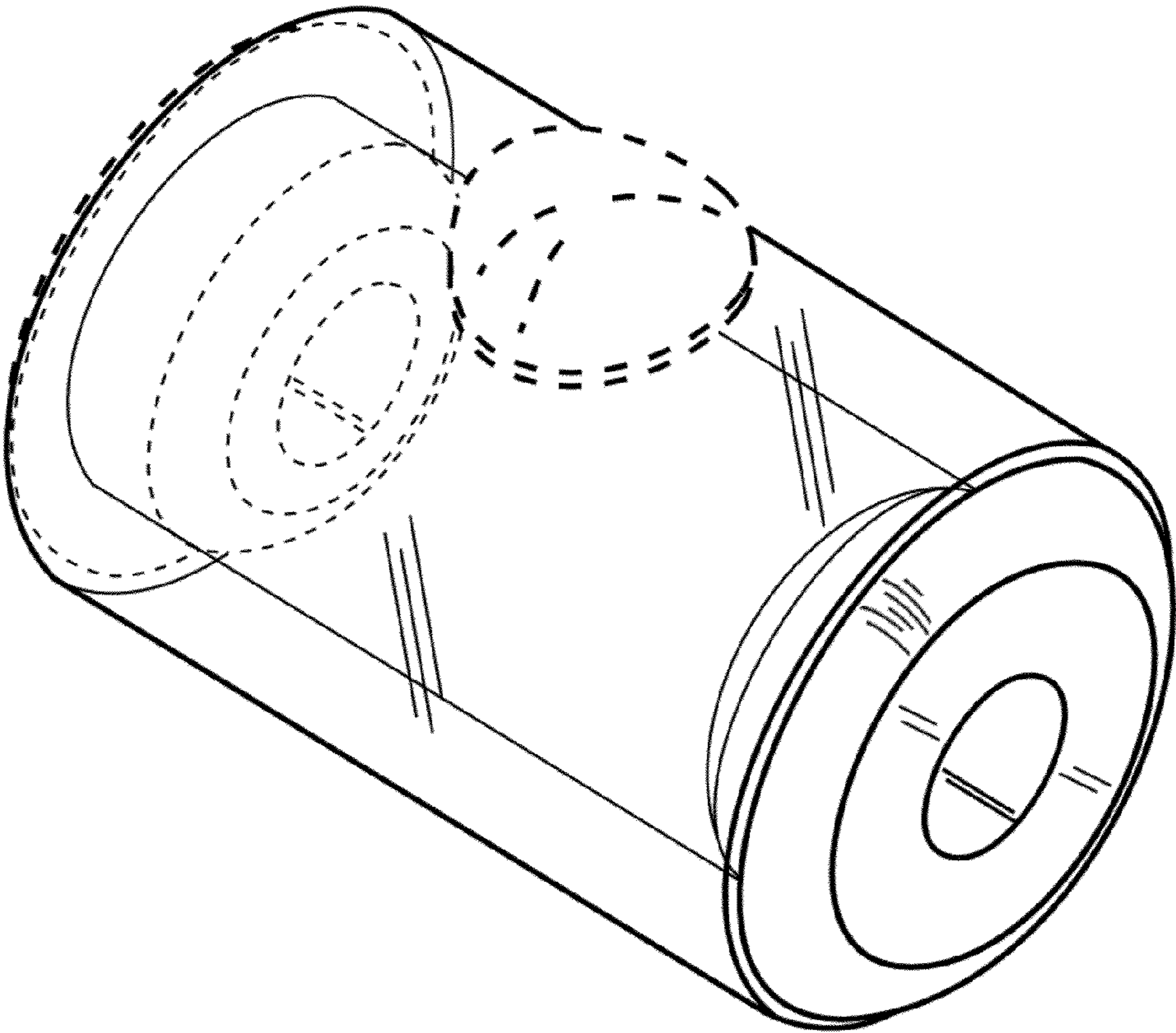


FIG. 1

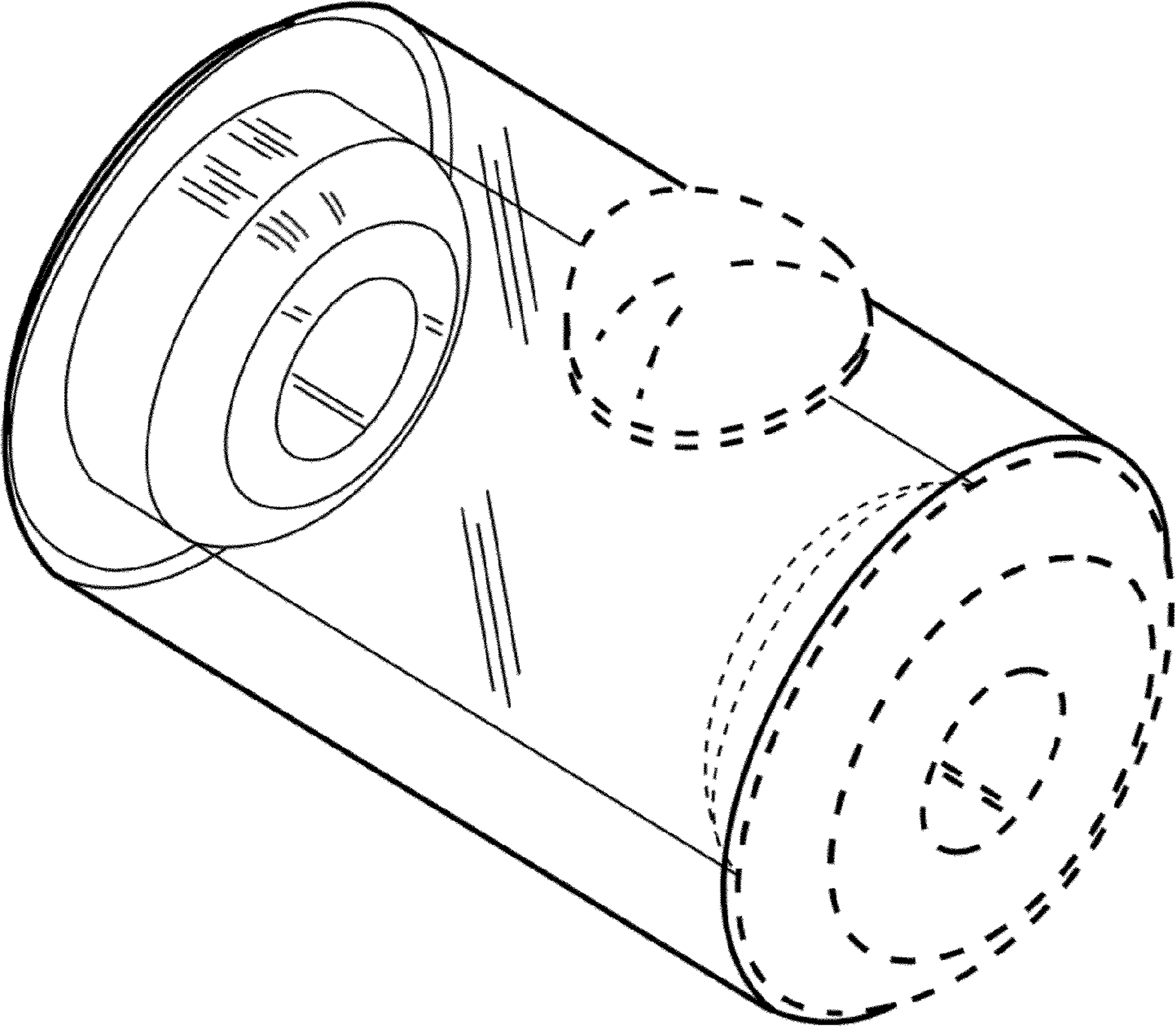


FIG. 2

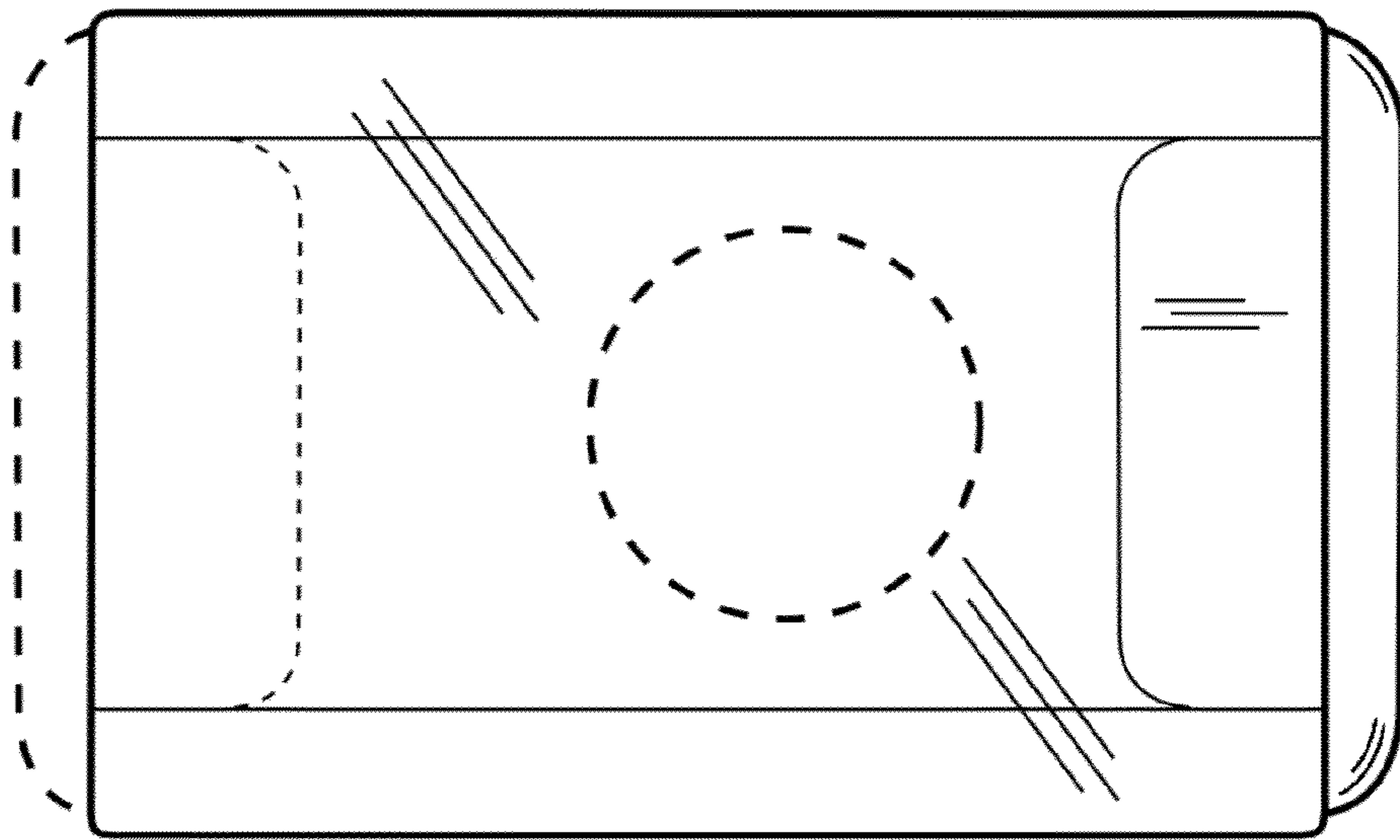


FIG. 3

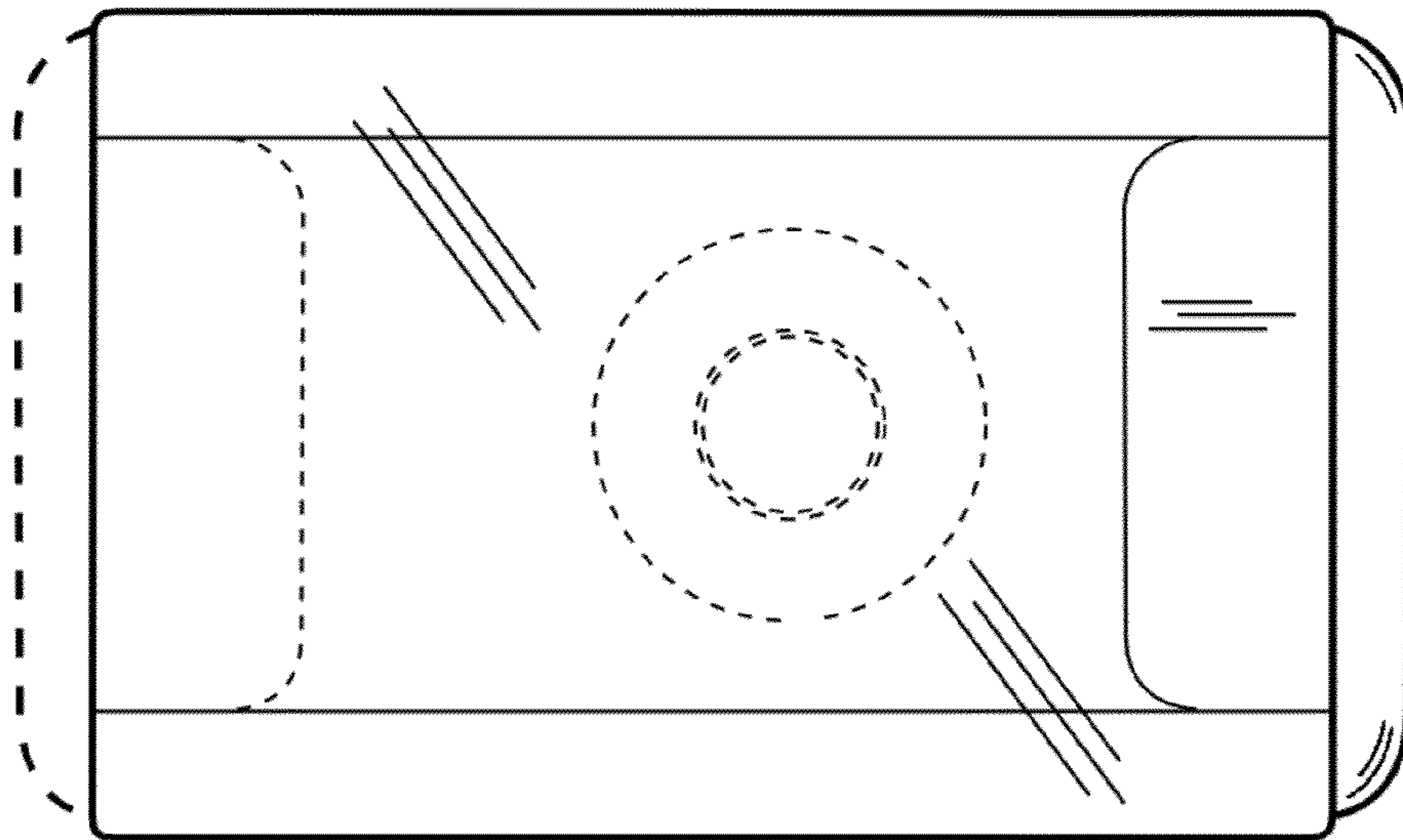


FIG. 4

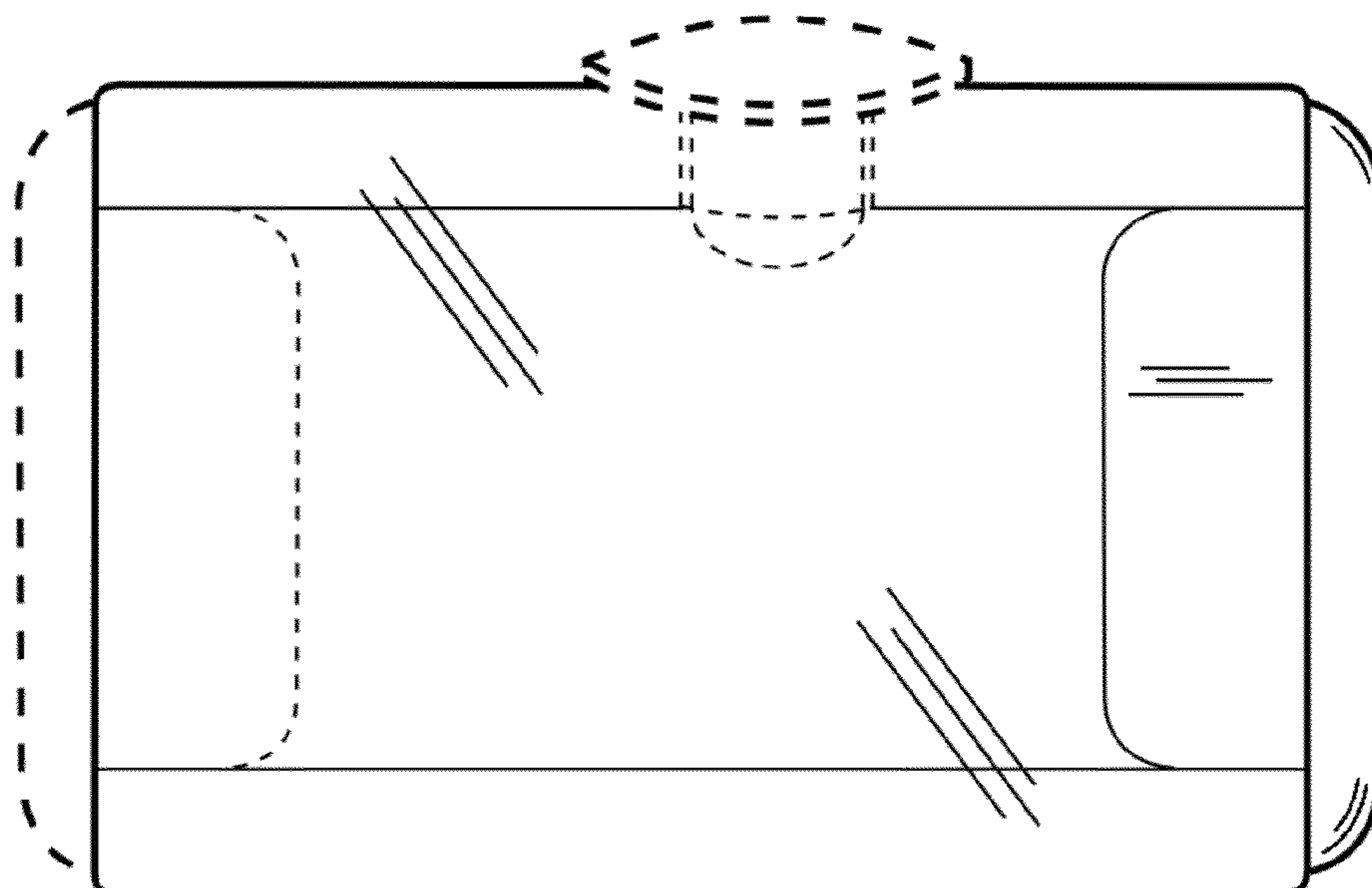


FIG. 5

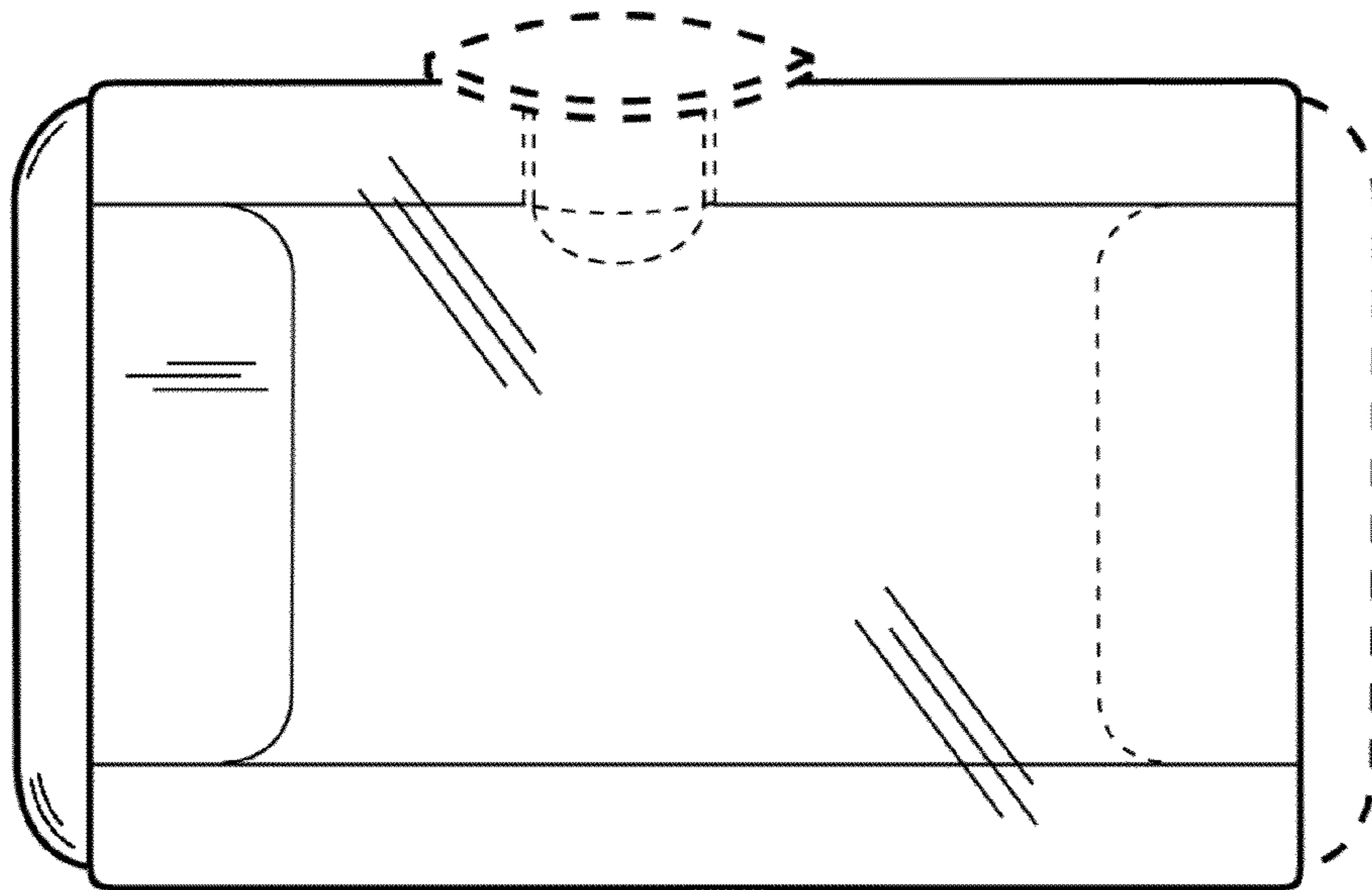


FIG. 6

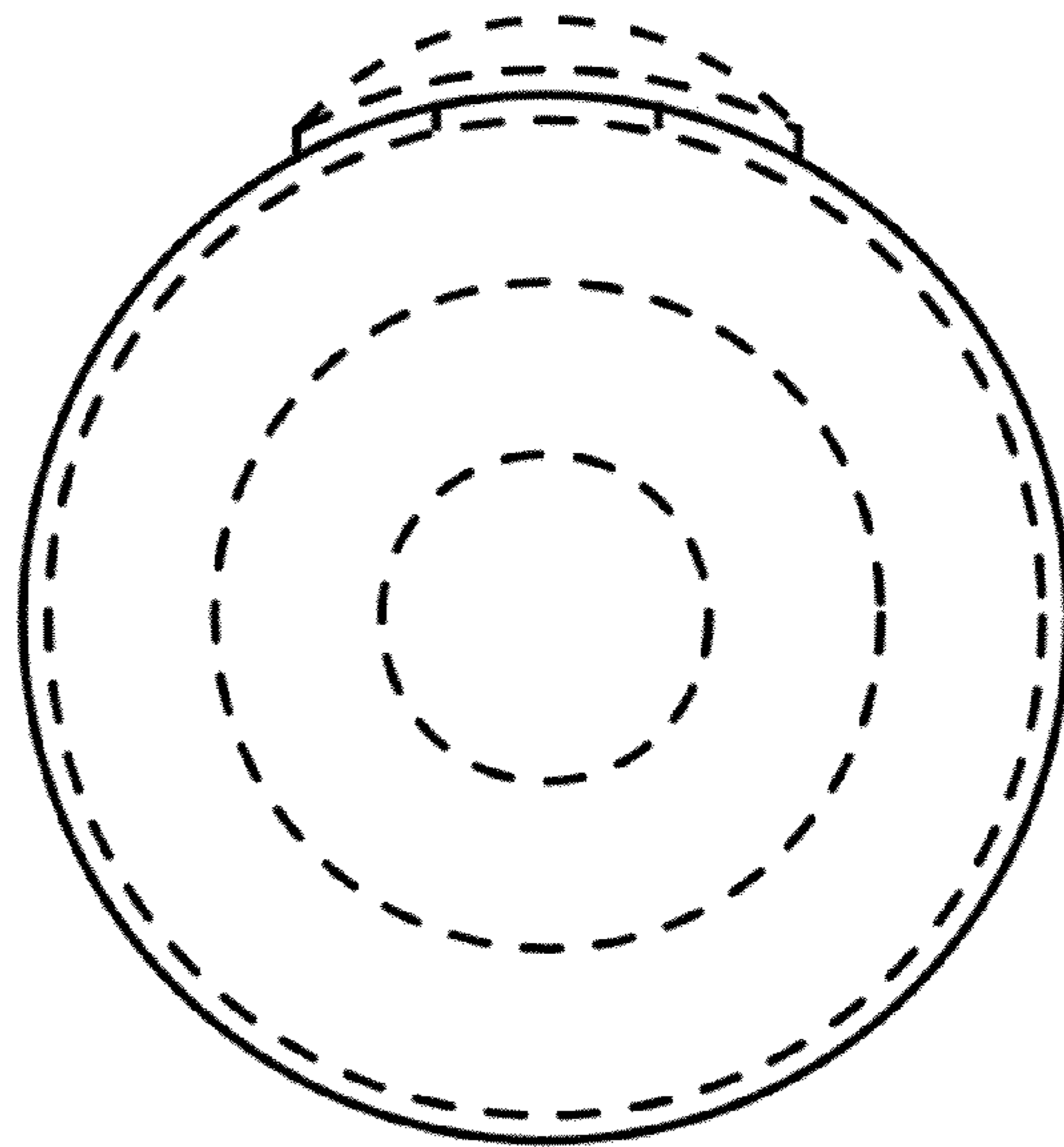


FIG. 7

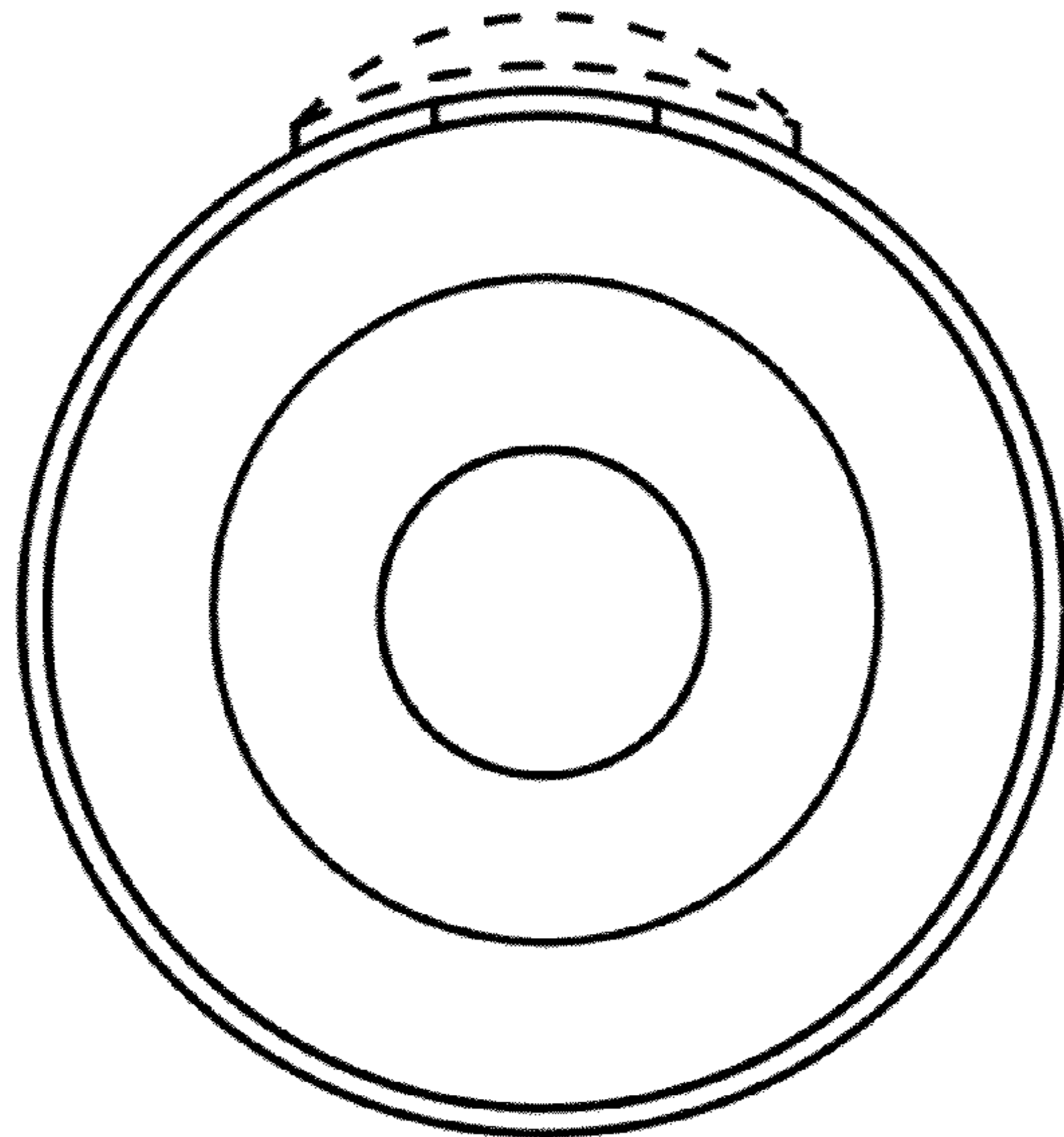


FIG. 8

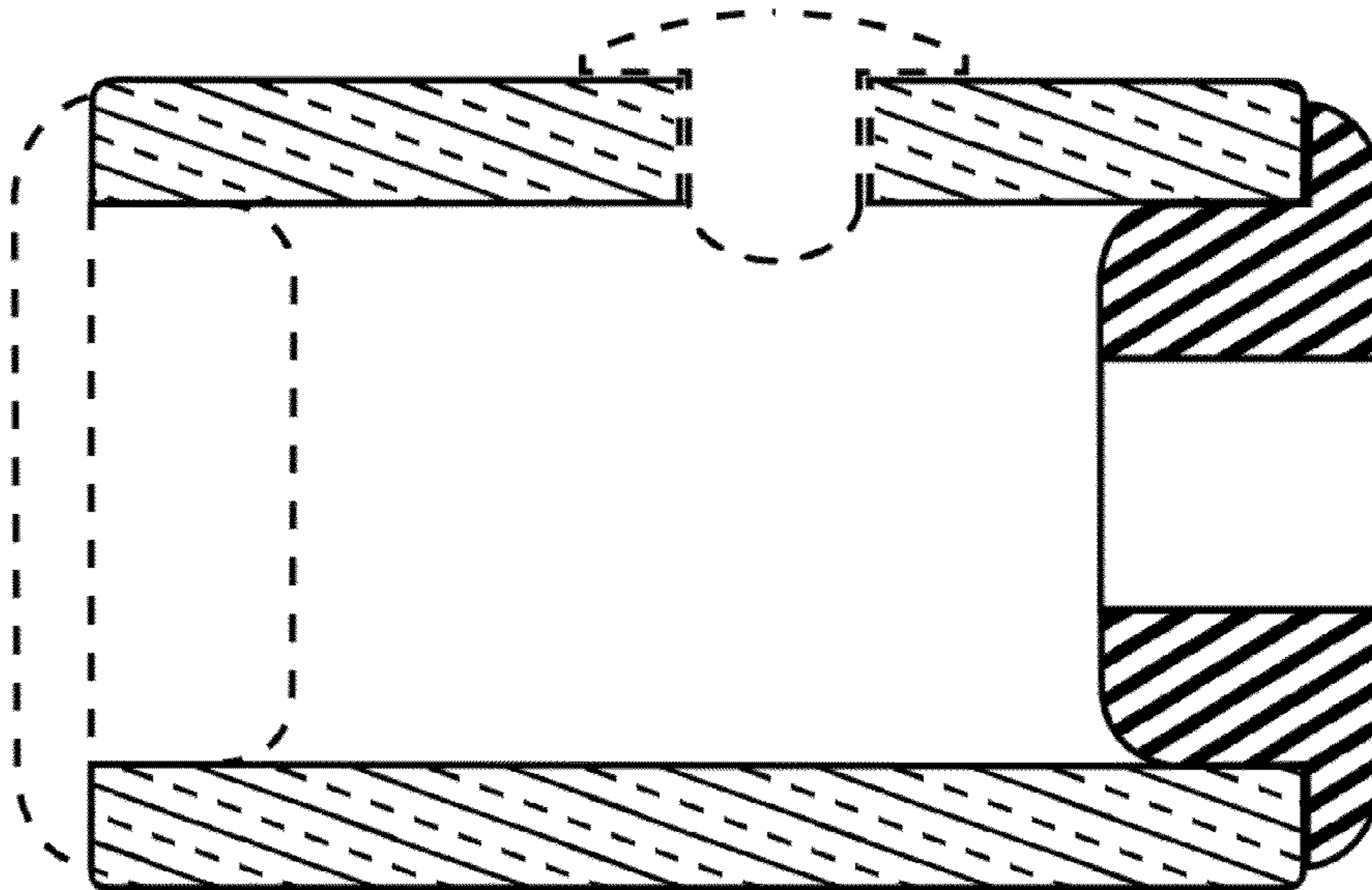


FIG. 9

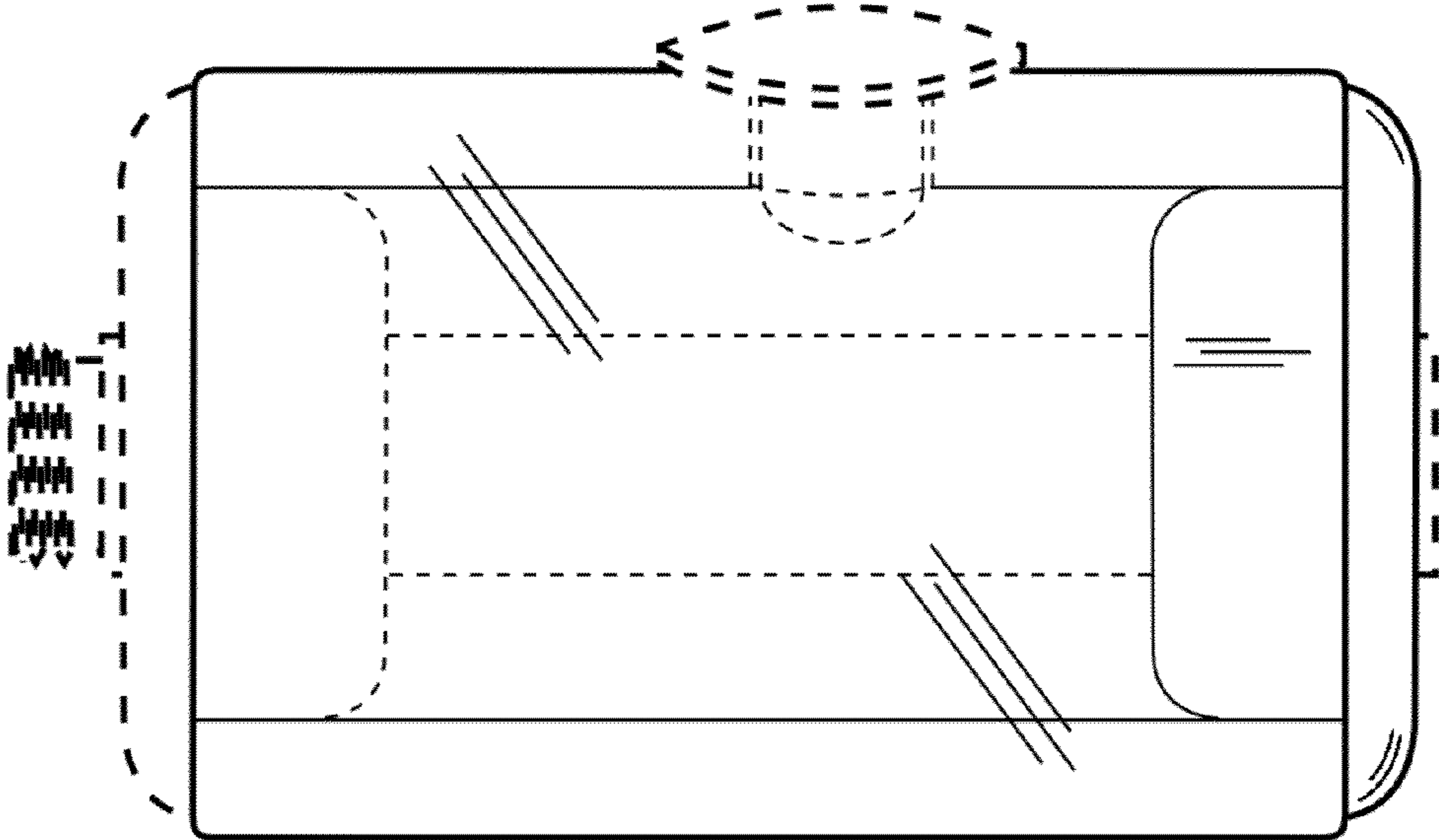


FIG. 10