



US00D747543S

(12) **United States Design Patent**  
**Taha**

(10) **Patent No.:** **US D747,543 S**

(45) **Date of Patent:** **\*\* Jan. 12, 2016**

(54) **PERSONAL VAPORIZER**

(71) Applicant: **Medipath, Inc.**, Newport Beach, CA  
(US)

(72) Inventor: **Ashraf Taha**, Costa Mesa, CA (US)

(\*\*) Term: **14 Years**

(21) Appl. No.: **29/499,489**

(22) Filed: **Aug. 15, 2014**

(51) **LOC (10) Cl.** ..... **27-02**

(52) **U.S. Cl.**  
USPC ..... **D27/165; D27/163**

(58) **Field of Classification Search**  
USPC ..... D27/101, 148, 163, 165, 171; D19/137;  
D9/600; D28/85, 88, 89, 4, 7  
CPC ..... A24F 3/00; A24F 47/002; A24F 47/004;  
A24F 47/006; A24F 47/008; A61M 15/06;  
A45D 40/02; A45D 40/06; A45D 40/04  
See application file for complete search history.

(56) **References Cited**

**U.S. PATENT DOCUMENTS**

- 2,595,403 A \* 5/1952 Neuschaefer ..... A45D 40/06  
206/385
- D179,825 S \* 3/1957 VanVoorhis ..... D28/89
- 2,785,796 A \* 3/1957 Gelardin ..... A45D 40/10  
401/53
- 3,192,933 A \* 7/1965 Prince ..... A45D 40/00  
132/320
- 3,308,939 A \* 3/1967 Sakalys ..... A45D 40/06  
401/78
- D254,151 S \* 2/1980 Wolff ..... D27/142

- D364,006 S \* 11/1995 Kamen ..... D28/88
- D365,176 S \* 12/1995 Heinrich ..... D26/38
- D448,121 S \* 9/2001 Gebb ..... D28/88
- D458,707 S \* 6/2002 Najjar ..... D27/165
- D466,252 S \* 11/2002 Yu ..... D28/88
- D508,297 S \* 8/2005 Breidenbach ..... D28/88
- D519,740 S \* 5/2006 Green ..... D3/206
- D541,990 S \* 5/2007 Hsu ..... D28/89
- D558,926 S \* 1/2008 Breidenbach ..... D28/88
- D666,733 S \* 9/2012 Caggiano ..... D24/215
- D724,779 S \* 3/2015 Liu ..... D27/101
- D725,821 S \* 3/2015 Levin ..... D27/101
- D725,822 S \* 3/2015 Liu ..... D27/101
- 2013/0223914 A1 \* 8/2013 Duru ..... A45D 34/00  
401/2

\* cited by examiner

*Primary Examiner* — Susan Bennett Hattan

*Assistant Examiner* — Janice Hallmark

(74) *Attorney, Agent, or Firm* — Sheppard, Mullin, Richter & Hampton LLP

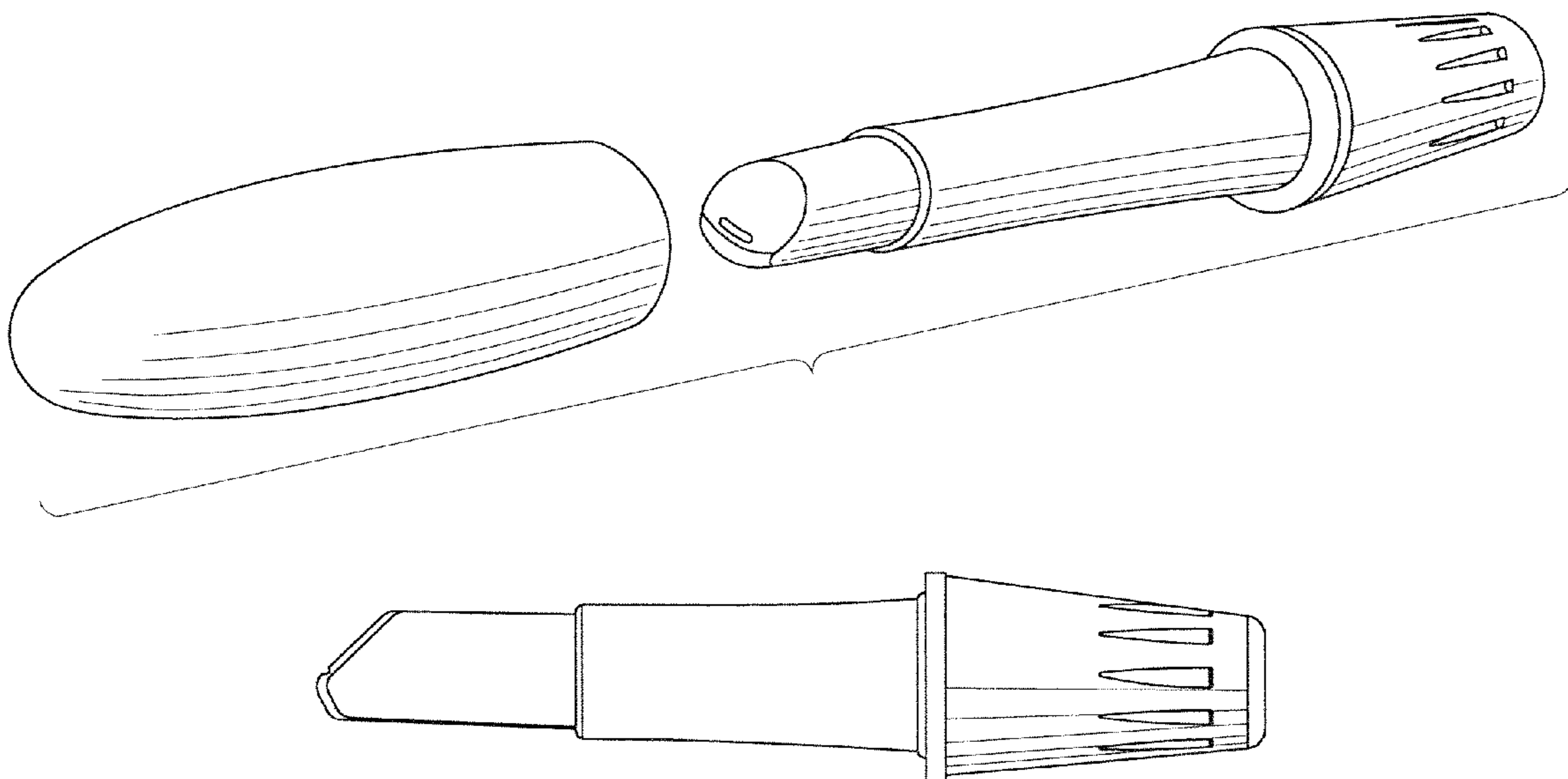
(57) **CLAIM**

I claim the ornamental design for a personal vaporizer, as shown and described.

**DESCRIPTION**

FIG. 1 is an exploded perspective view of a personal vaporizer showing my new design with the cap portion separated from the base for clarity of disclosure; FIG. 2 is a side elevational view of the base portion of the personal vaporizer; FIG. 3 is a top plan view of the personal vaporizer; and, FIG. 4 is a bottom plan view of the personal vaporizer.

**1 Claim, 1 Drawing Sheet**



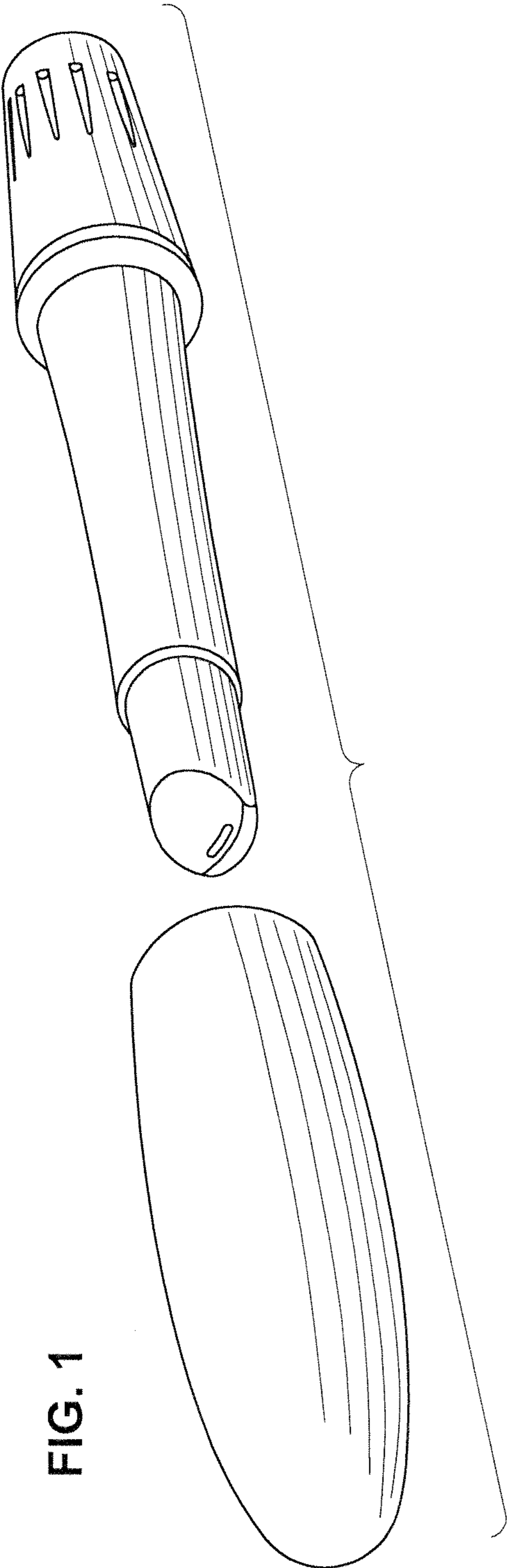


FIG. 1

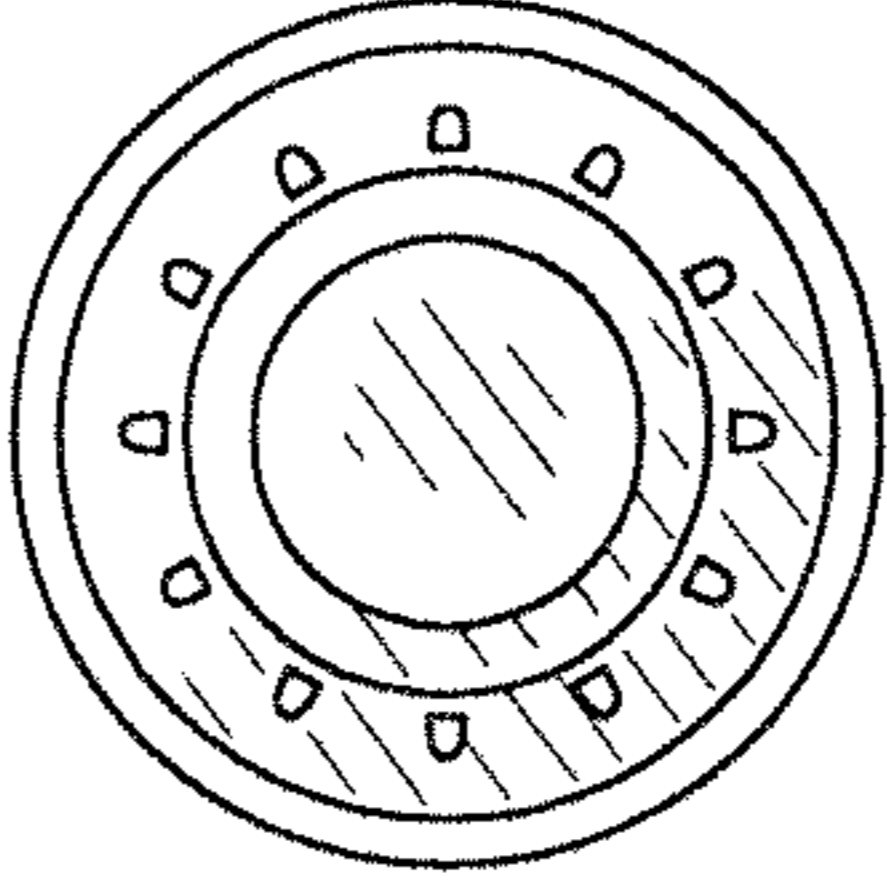


FIG. 4

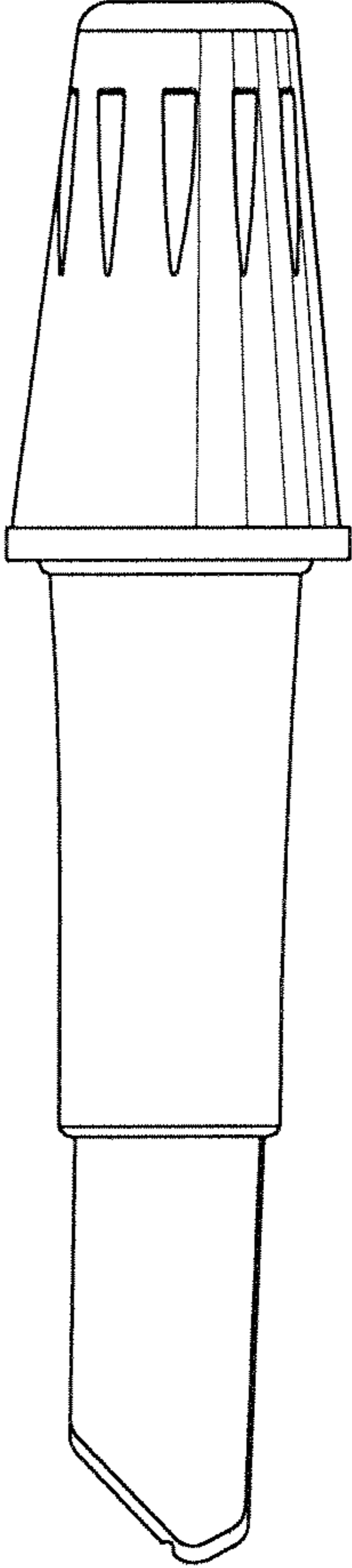


FIG. 2

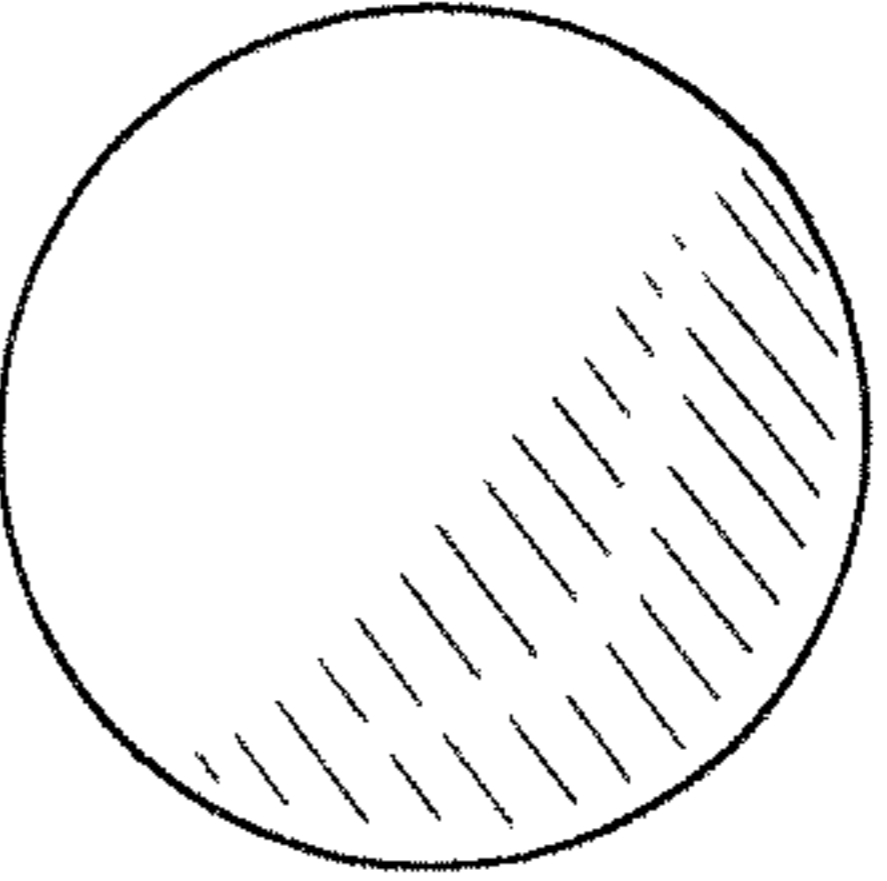


FIG. 3