



US00D747542S

(12) **United States Design Patent**
Koppelman

(10) **Patent No.:** **US D747,542 S**
(45) **Date of Patent:** **** Jan. 12, 2016**

- (54) **ASHTRAY**
- (71) Applicant: **Leonard Koppelman**, Melville, NY (US)
- (72) Inventor: **Leonard Koppelman**, Melville, NY (US)
- (73) Assignee: **ASH-STAY INC.**, Melville, NY (US)
- (**) Term: **14 Years**
- (21) Appl. No.: **29/490,306**
- (22) Filed: **May 8, 2014**
- (51) **LOC (10) Cl.** **27-03**
- (52) **U.S. Cl.**
USPC **D27/133**
- (58) **Field of Classification Search**
USPC D27/133, 102, 105, 108, 125, 127, 135;
D19/75; 131/240.1, 242, 231, 257
CPC A24F 13/18; A24F 19/14; A24F 19/00;
A24F 19/0035; B65D 85/00
See application file for complete search history.

(56) **References Cited**

U.S. PATENT DOCUMENTS

1,593,900	A	7/1926	Erikson	
D161,003	S *	11/1950	Coleman	D27/127
D168,197	S	11/1952	Von Bergen	
2,657,090	A *	10/1953	Meek	B65D 85/00 131/231
D203,429	S *	1/1966	Oborski	D27/135
D241,148	S *	8/1976	McClure	D27/133
D248,876	S *	8/1978	Hultberg	D27/133
D249,967	S *	10/1978	Benes	D27/133
D251,921	S *	5/1979	Farrell	D27/125
D258,316	S *	2/1981	Duin	D27/133
D259,519	S *	6/1981	Magnusson	D27/133
D266,879	S *	11/1982	Pastirik	D27/133
D274,950	S *	7/1984	Zeischegg	D27/133
D280,555	S *	9/1985	Grube	D27/133
D283,450	S *	4/1986	Campbell	D27/133
D287,296	S *	12/1986	Yasuda	D27/133
D289,662	S *	5/1987	Wolff	D19/75
D297,374	S *	8/1988	Hilger	D27/108

D302,596	S *	8/1989	Wolfenden	D27/133
4,890,632	A *	1/1990	Diamond	A24F 19/14 131/231
D361,862	S *	8/1995	Havens	D27/102
D392,408	S *	3/1998	Perkins	D27/103
D393,922	S *	4/1998	Moore	D27/102
D414,293	S *	9/1999	Lee	D27/102
D422,825	S *	4/2000	Hoffmann	D27/102
D430,701	S *	9/2000	Cancellera	D27/102
D432,712	S *	10/2000	Perrier	D27/102
6,273,094	B1 *	8/2001	Potter	A24F 13/18 131/175
D453,050	S *	1/2002	Hsu	D27/102
D454,656	S *	3/2002	Berset	D27/102
D455,225	S *	4/2002	Whitlock	D27/133
6,435,192	B1 *	8/2002	Cancellera	A24F 19/00 131/241
6,843,255	B2 *	1/2005	Thornell	A24F 19/0085 131/231
D508,754	S *	8/2005	Haywood	D27/120

(Continued)

Primary Examiner — Rosemary K Tarcza
Assistant Examiner — Yolanda Robinson
(74) *Attorney, Agent, or Firm* — Greer, Burns & Crain, LTD

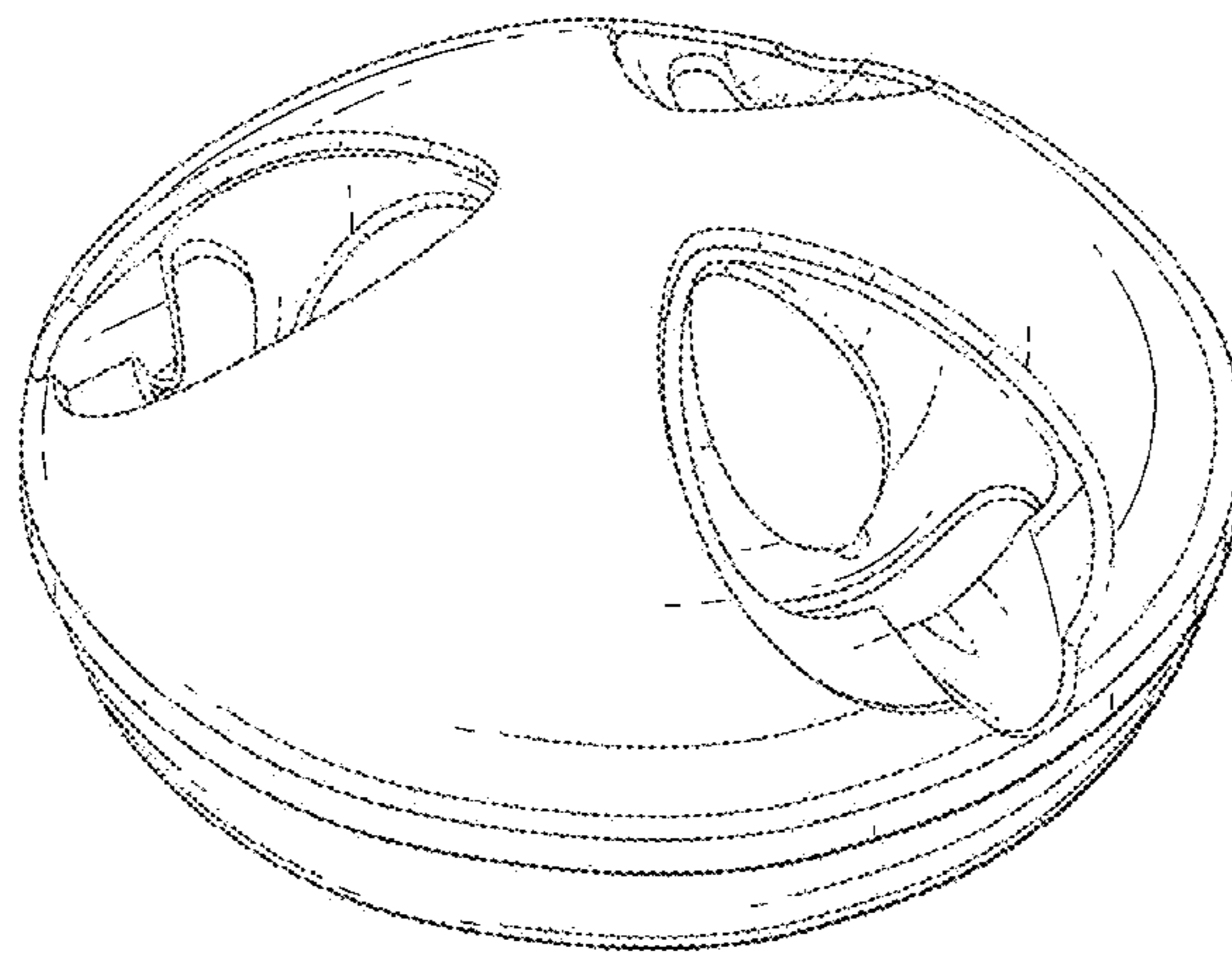
(57) **CLAIM**

The ornamental design for an ashtray, as shown and described.

DESCRIPTION

FIG. 1 is a perspective view of the ashtray with the top in an open configuration.
FIG. 2 is a top plan view thereof.
FIG. 3 is a front elevation view thereof.
FIG. 4 is a rear elevation view thereof.
FIG. 5 is a side elevation view thereof.
FIG. 6 is a bottom plan view thereof.
FIG. 7 is a perspective view of the ashtray with the top in a closed configuration.
FIG. 8 is a top plan view thereof.
FIG. 9 is a front elevation view thereof.
FIG. 10 is rear elevation view thereof.
FIG. 11 is side elevation view thereof; and,
FIG. 12 is bottom plan view thereof.

1 Claim, 6 Drawing Sheets



(56)

References Cited

U.S. PATENT DOCUMENTS

D520,672 S *	5/2006	Tse	D27/105	8,360,071 B2 *	1/2013	Dorsey	A24F 19/0085 131/240.1
D526,436 S *	8/2006	Tse	D27/105	D681,885 S	5/2013	Pitter	
D548,393 S *	8/2007	Smith	D27/105	D737,504 S *	8/2015	Chen	D27/183
8,307,833 B2 *	11/2012	Zeanah	A24F 19/02 131/231	2001/0013350 A1	8/2001	Cho	
				2015/0296880 A1 *	10/2015	Anthony	A24F 19/0035 131/242

* cited by examiner

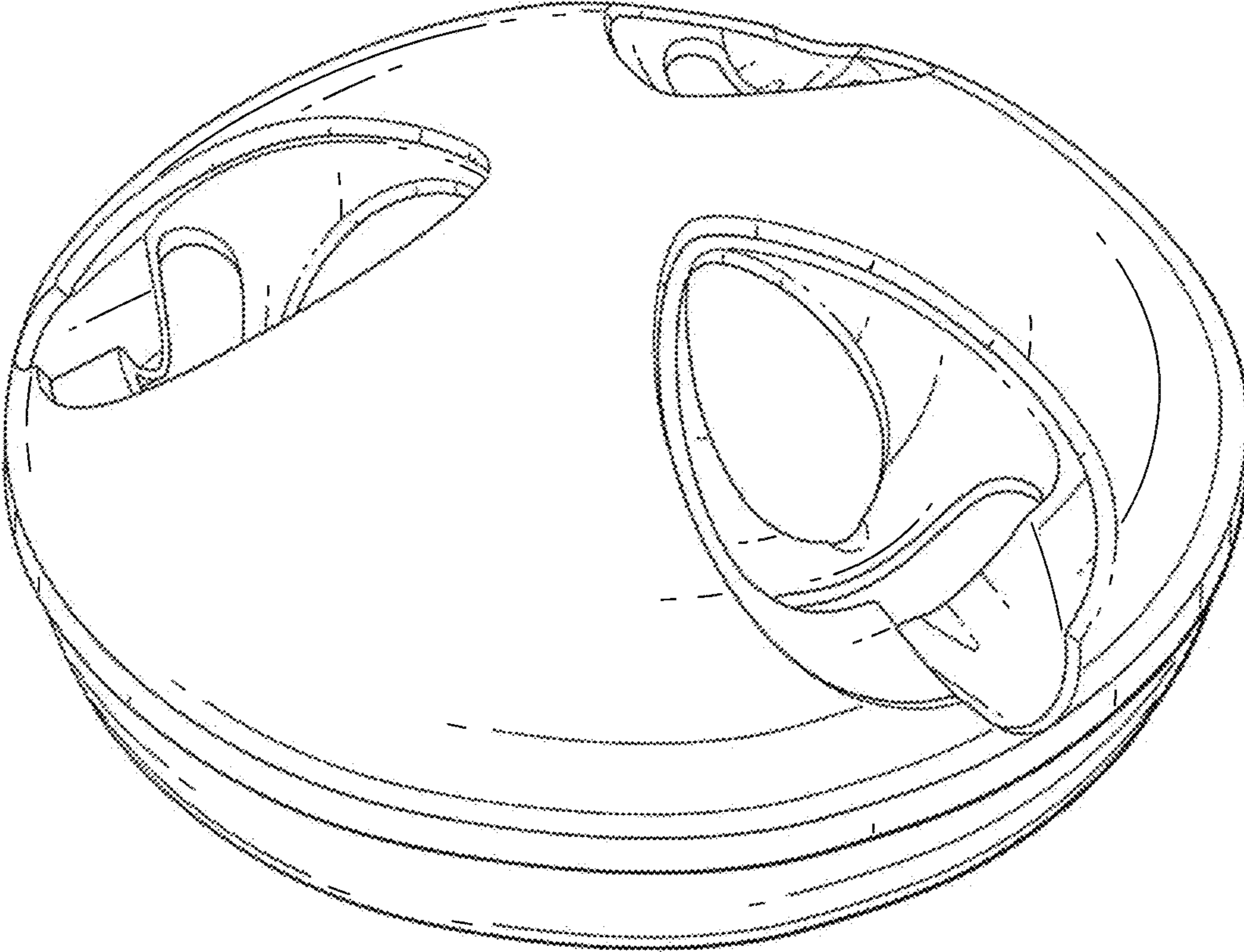


FIG. 1

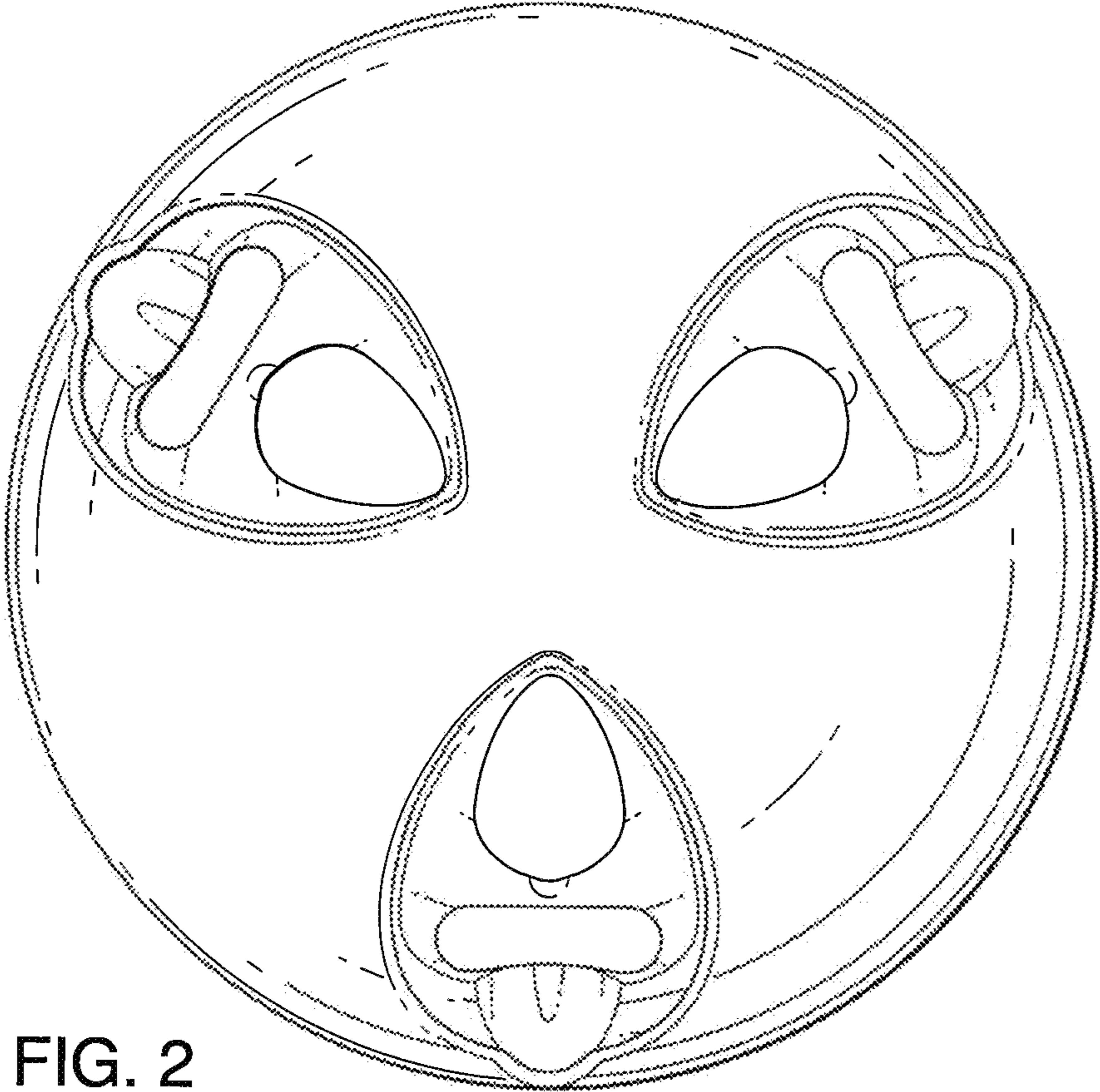


FIG. 2

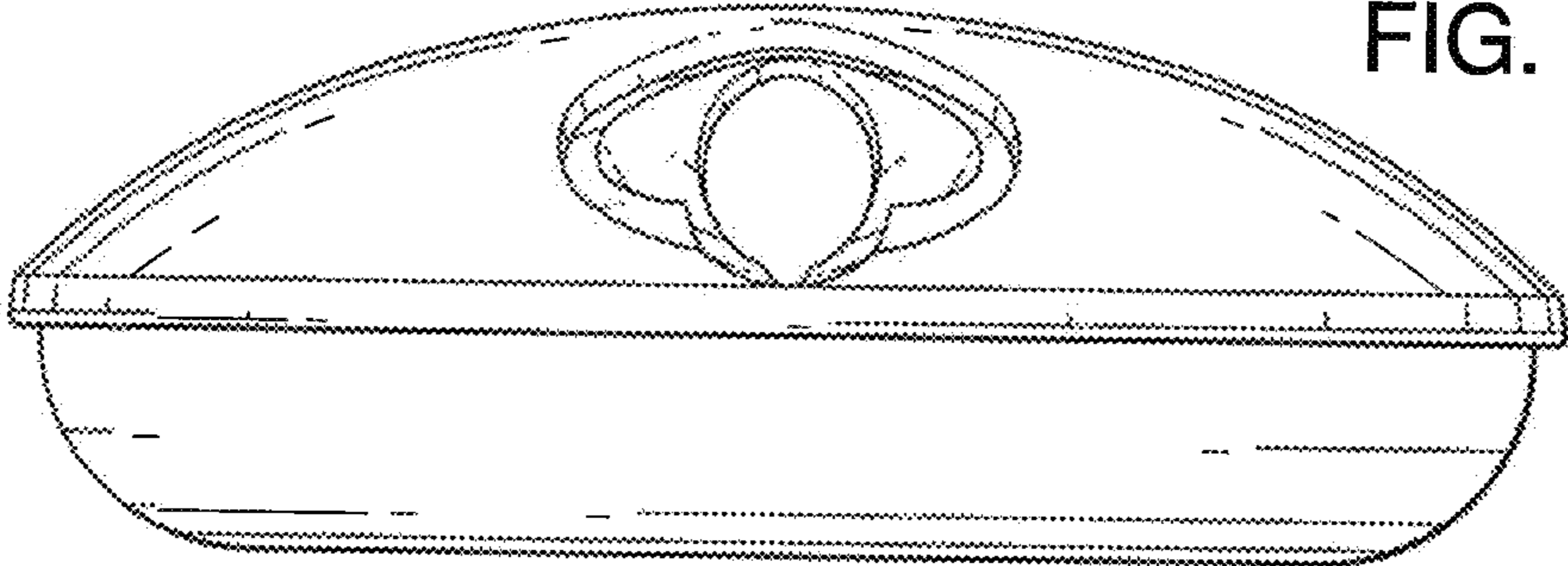
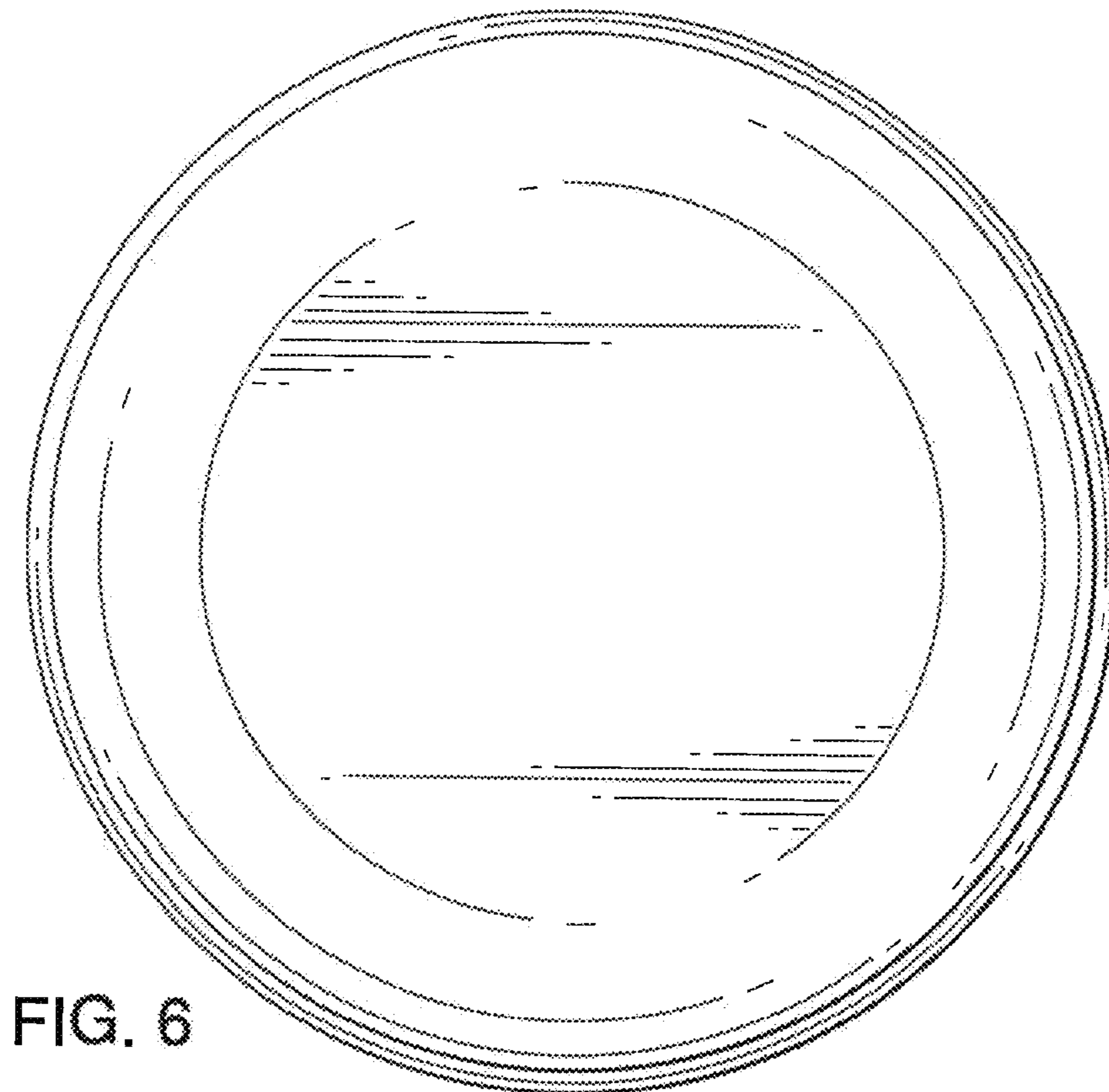
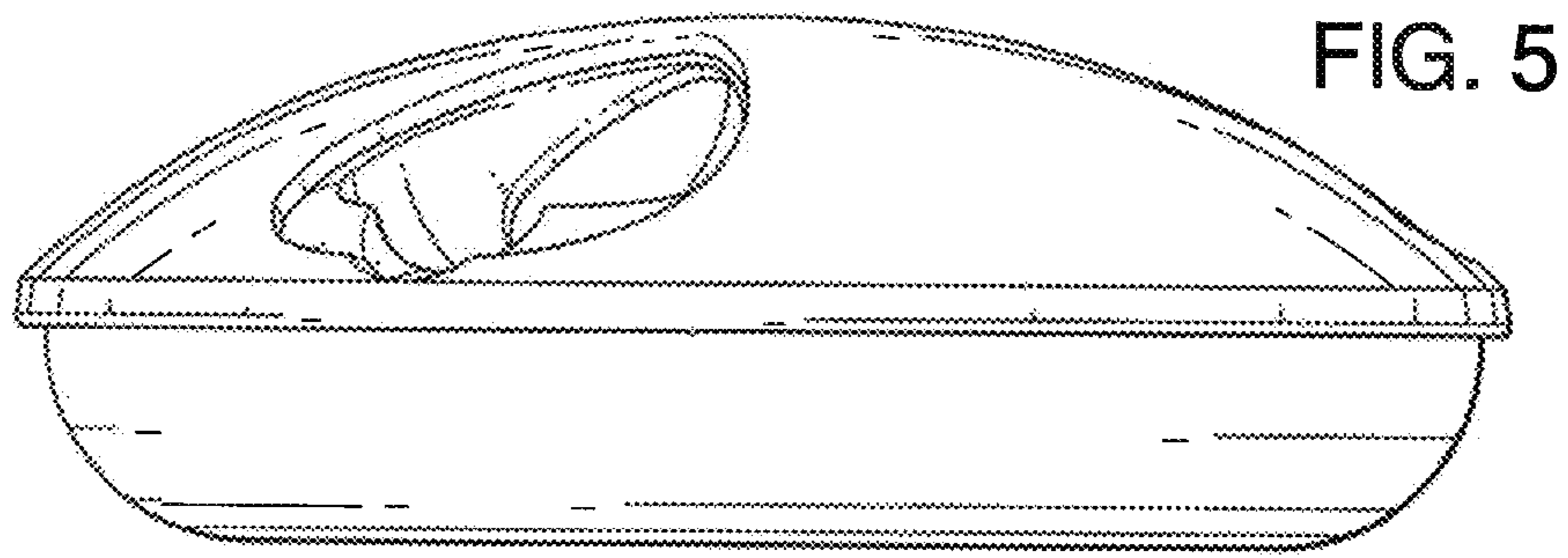
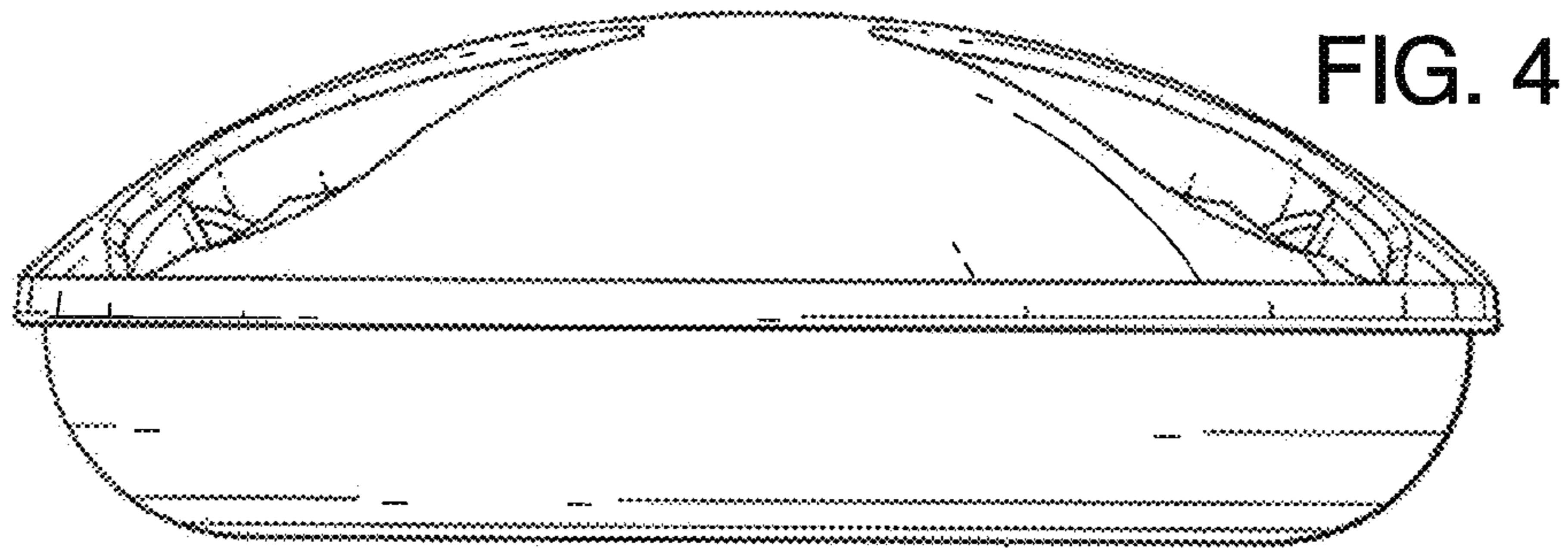


FIG. 3



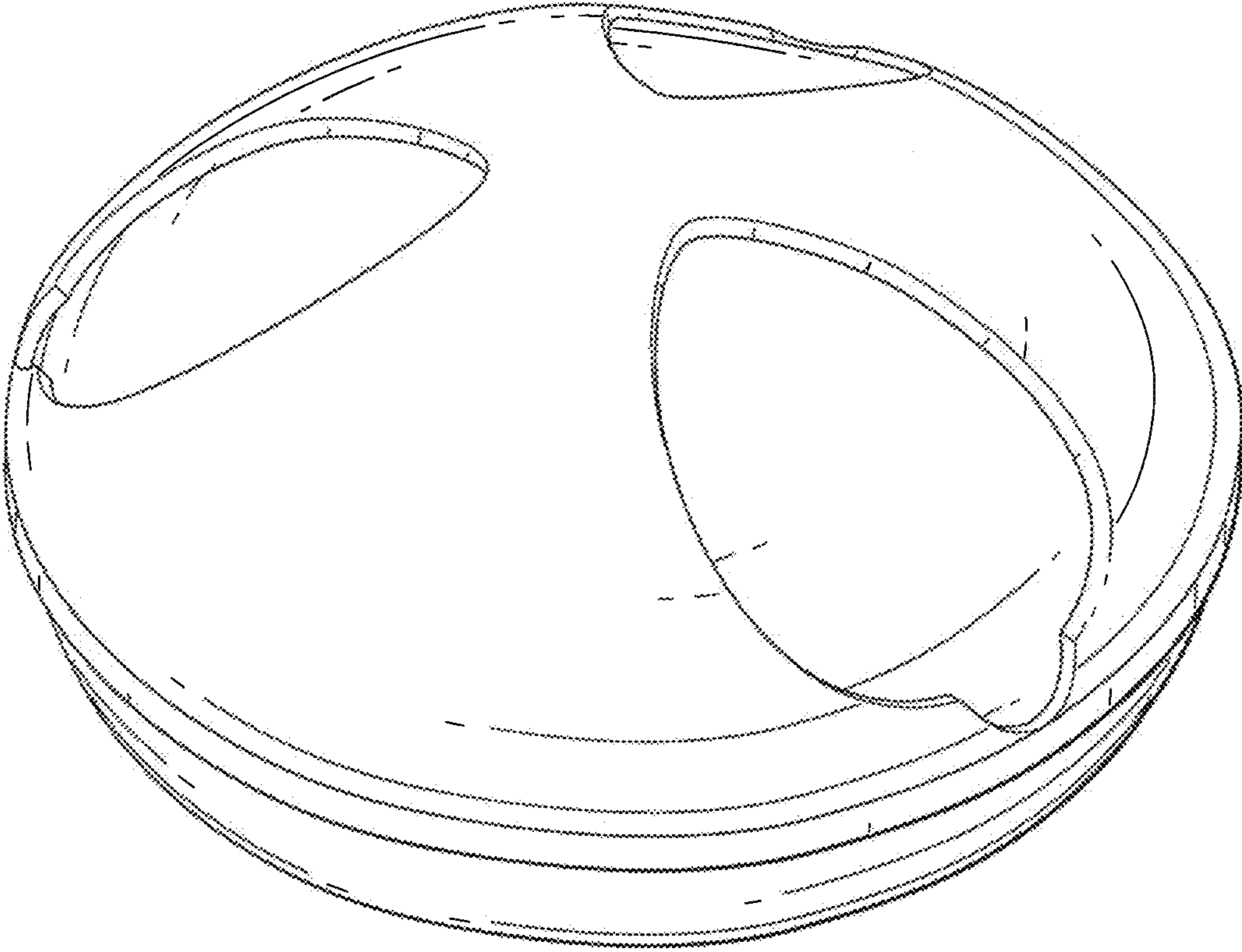


FIG. 7

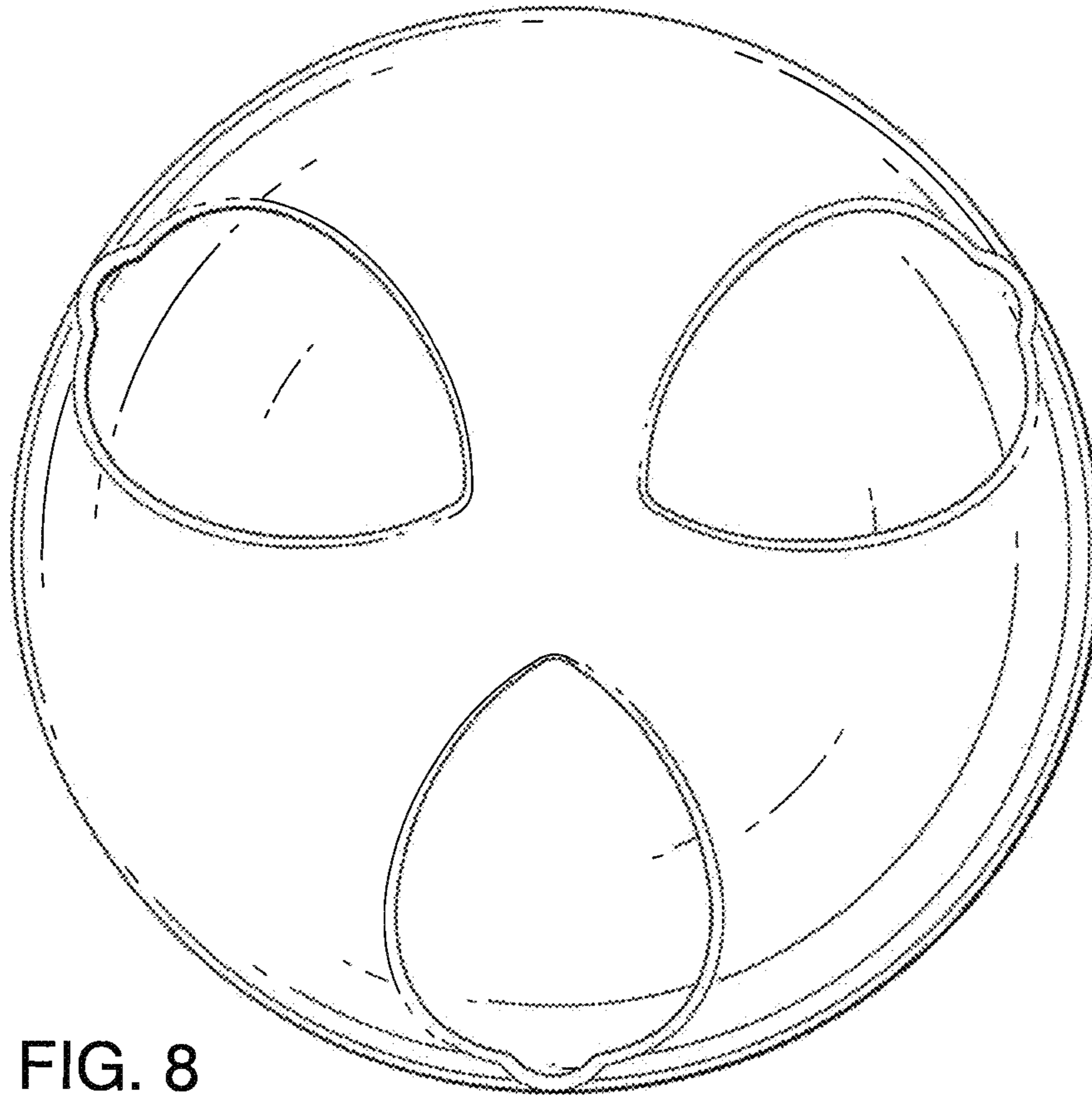


FIG. 8

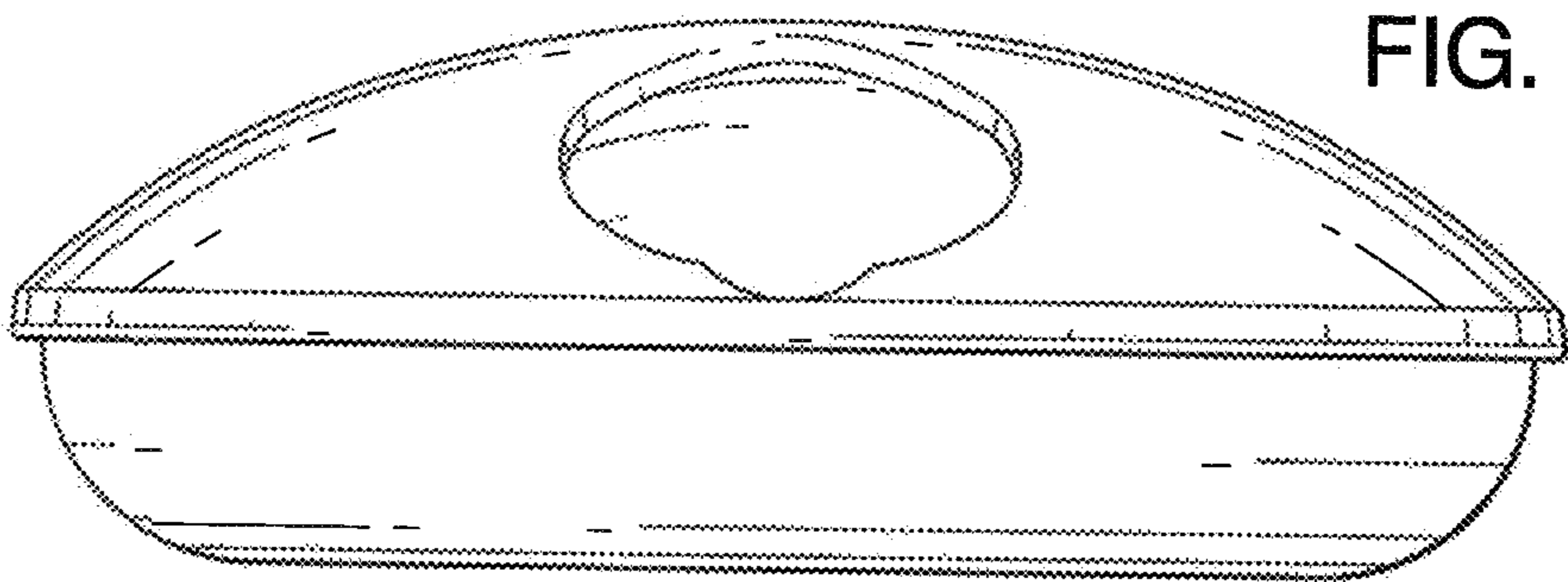


FIG. 9

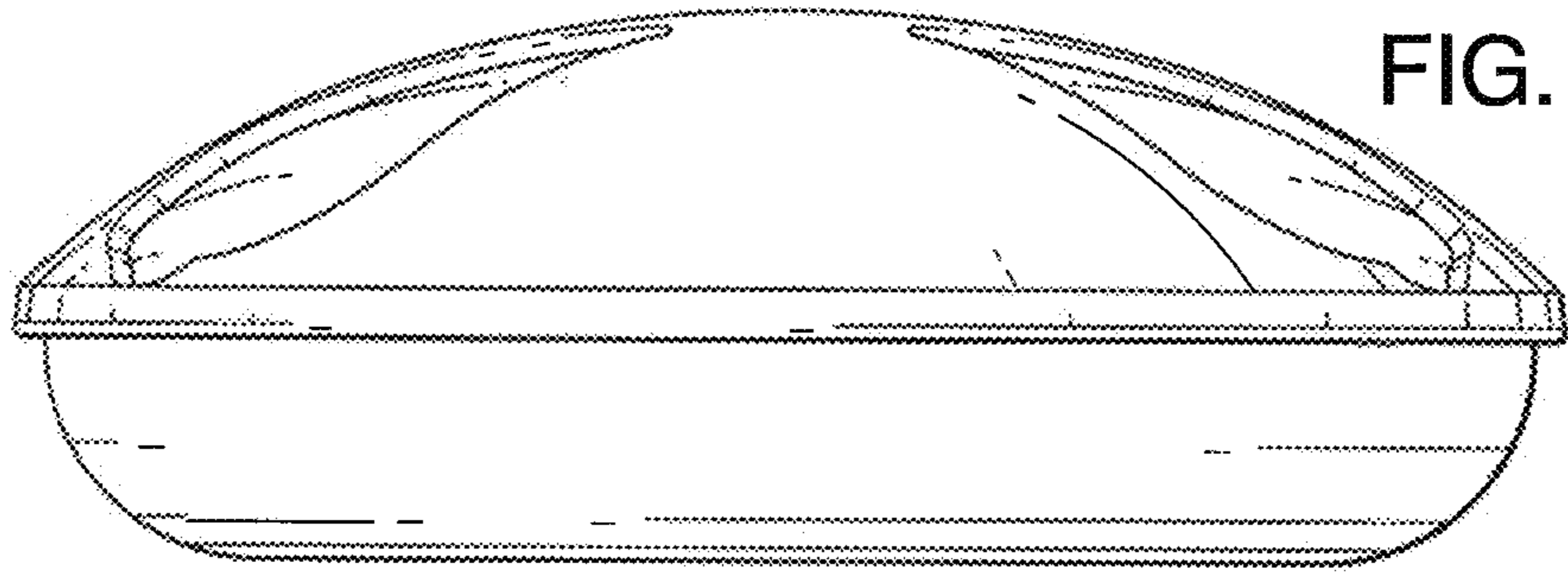


FIG. 10

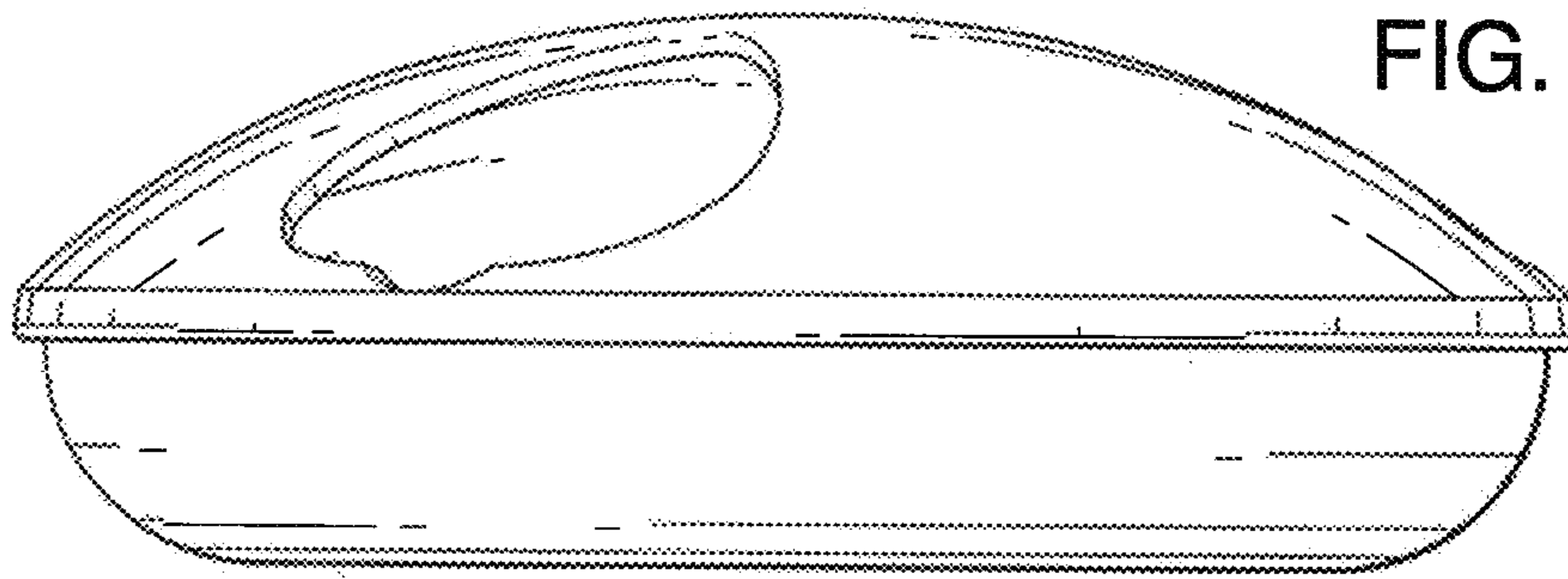


FIG. 11

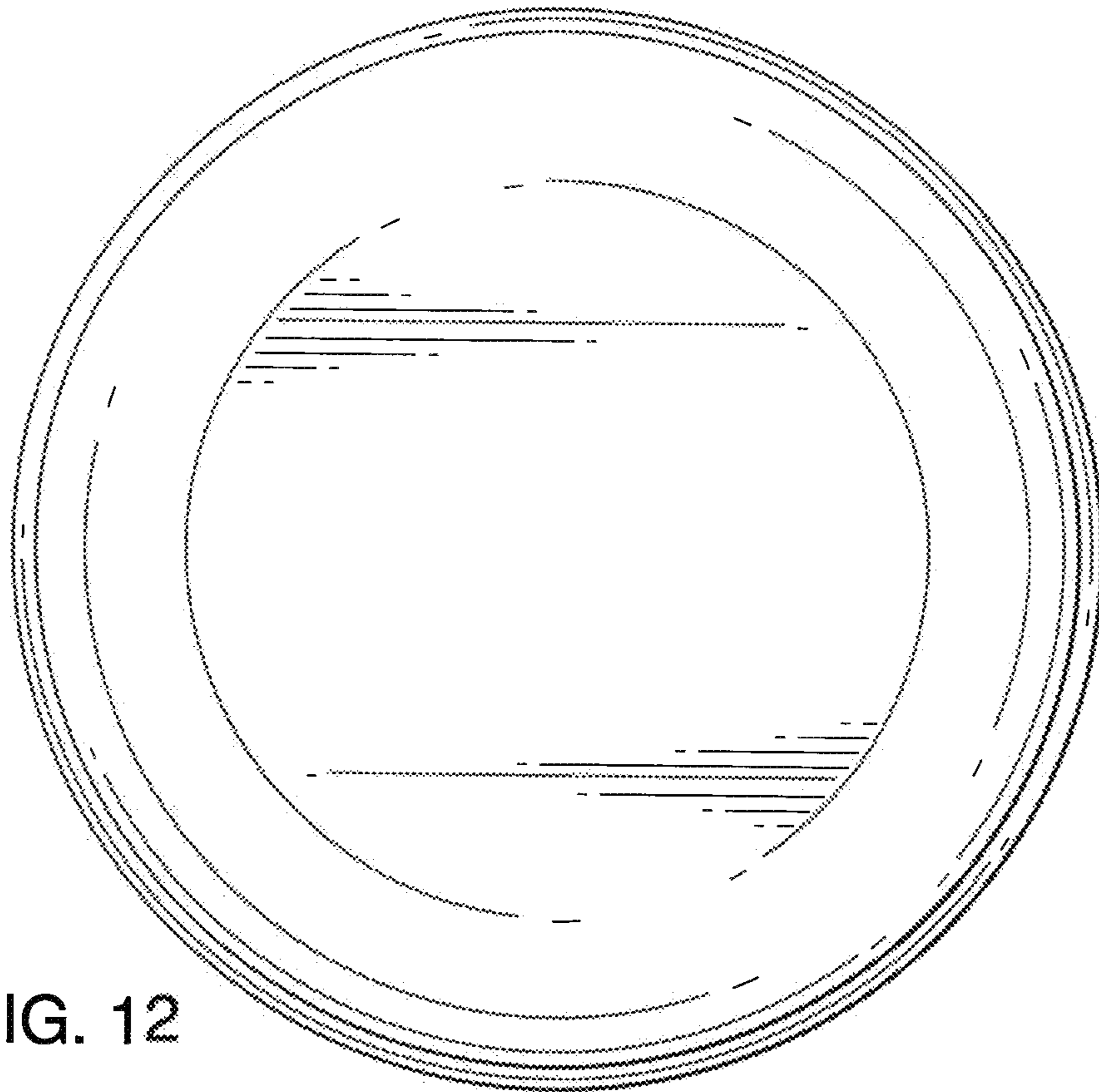


FIG. 12