



US00D747541S

(12) **United States Design Patent**
Dietel

(10) **Patent No.:** **US D747,541 S**
(45) **Date of Patent:** **** Jan. 12, 2016**

(54) **LED LAMP**

(71) Applicant: **PHOENIX CONTACT GmbH & Co.**
KG, Blomberg (DE)

(72) Inventor: **Karl Clauss Dietel, Chemnitz, DE (US)**

(73) Assignee: **PHOENIX CONTACT GMBH & CO.**
KG, Blomberg (DE)

(**) Term: **14 Years**

(21) Appl. No.: **29/467,300**

(22) Filed: **Sep. 18, 2013**

(30) **Foreign Application Priority Data**

Mar. 20, 2013 (EM) 002205567-0001
Mar. 20, 2013 (EM) 002205567-0002
Mar. 20, 2013 (EM) 002205567-0003
Mar. 20, 2013 (EM) 002205567-0004
Mar. 20, 2013 (EM) 002205567-0005

(51) **LOC (10) Cl.** **26-99**

(52) **U.S. Cl.**
USPC **D26/141**

(58) **Field of Classification Search**
USPC D26/3, 24, 35, 39, 42, 71, 72, 75, 76,
D26/78, 79, 80, 81, 82, 83, 85, 88, 90, 118,
D26/119, 120, 121, 122, 138; 362/23.07,
362/23.09, 23.16, 217.01, 217.02, 217.05,
362/217.08, 217.09, 249.02, 260, 311.02,
362/555, 612, 614, 800
CPC F21S 4/00; F21S 4/003; F21S 4/006;
F21S 4/007; F21S 4/008; F21S 6/004; F21S
6/005; F21K 9/54; F21V 15/01; F21V 5/013
See application file for complete search history.

(56) **References Cited**

U.S. PATENT DOCUMENTS

D291,928	S	*	9/1987	Morten	D26/76
D306,773	S	*	3/1990	Roulstone	D26/78
D348,947	S	*	7/1994	Holcomb	D26/76
D569,025	S	*	5/2008	Hakamada	D26/74
D569,027	S	*	5/2008	Hakamada	D26/76
D583,496	S	*	12/2008	Kuo et al.	D26/76
D667,584	S	*	9/2012	Beghelli	D26/75
D710,528	S	*	8/2014	Wardenburg et al.	D26/75
D715,466	S	*	10/2014	Wang	D26/24
2013/0286637	A1	*	10/2013	Lay et al.	362/147

* cited by examiner

Primary Examiner — George D Kirschbaum

Assistant Examiner — Natasha Vujcic

(74) *Attorney, Agent, or Firm* — Leydig, Voit & Mayer, Ltd.

(57) **CLAIM**

The ornamental design for an LED lamp, as shown and described.

DESCRIPTION

FIG. 1 is a top right front perspective view of the LED lamp showing my new design;
FIG. 2 is a top plan view thereof;
FIG. 3 is a front elevational view thereof;
FIG. 4 is a rear elevational view thereof; and,
FIG. 5 is a left side elevational view thereof, the right side elevational view being the mirror image thereof.
The broken lines in the drawings illustrate portions of the housing for led based lighting apparatus which form no part of the claimed design.

1 Claim, 5 Drawing Sheets

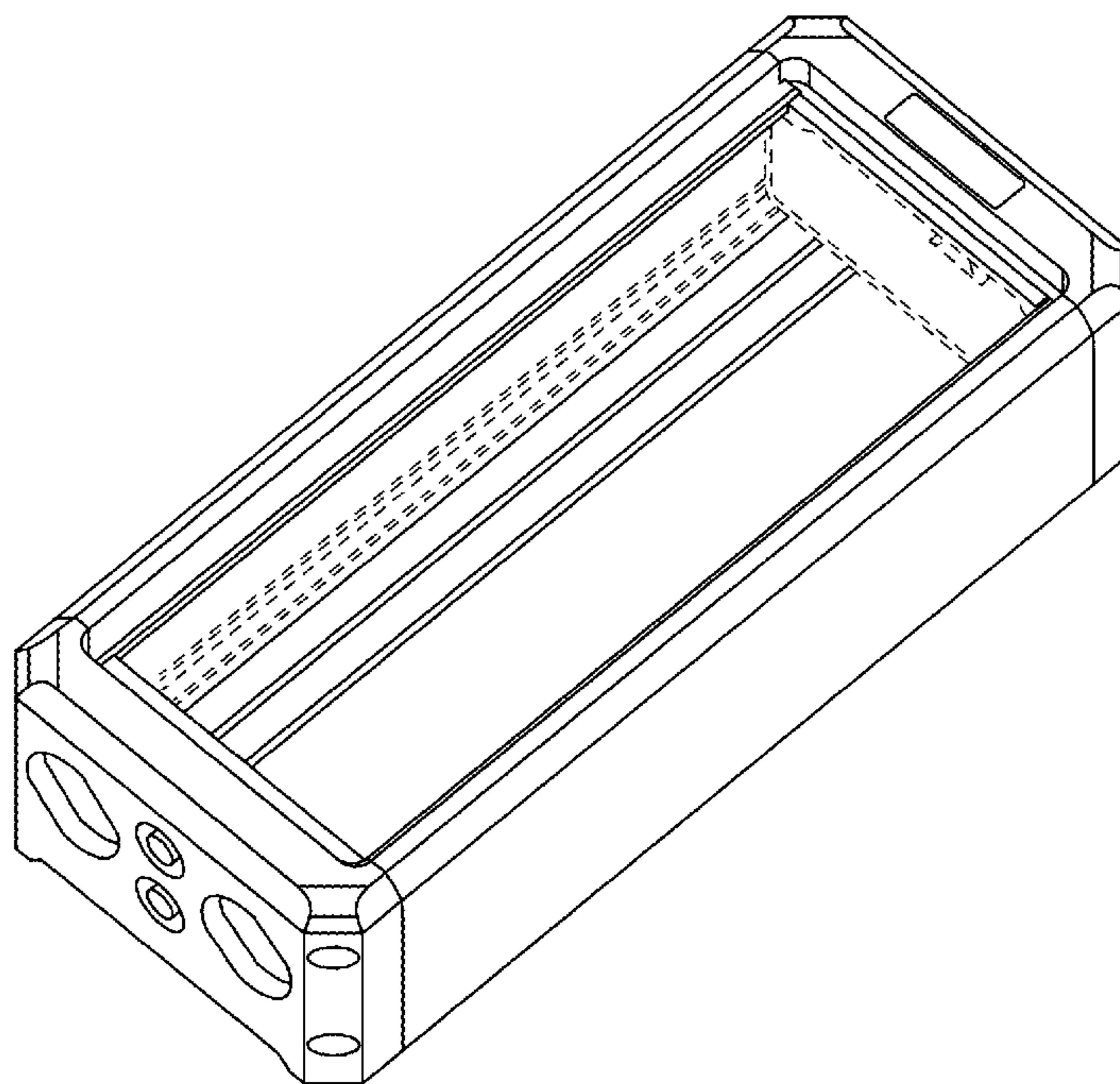


FIG. 1

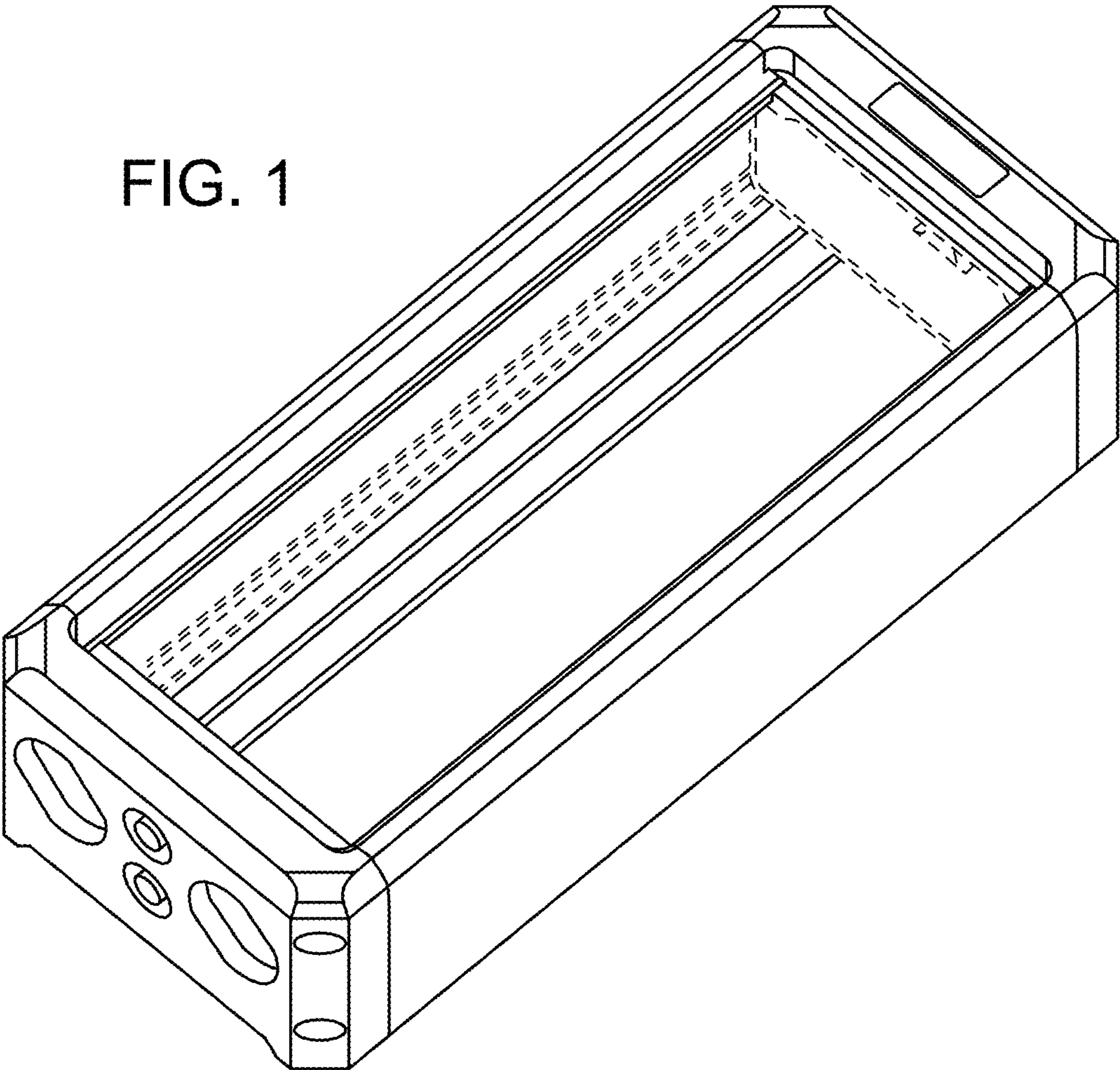


FIG. 2

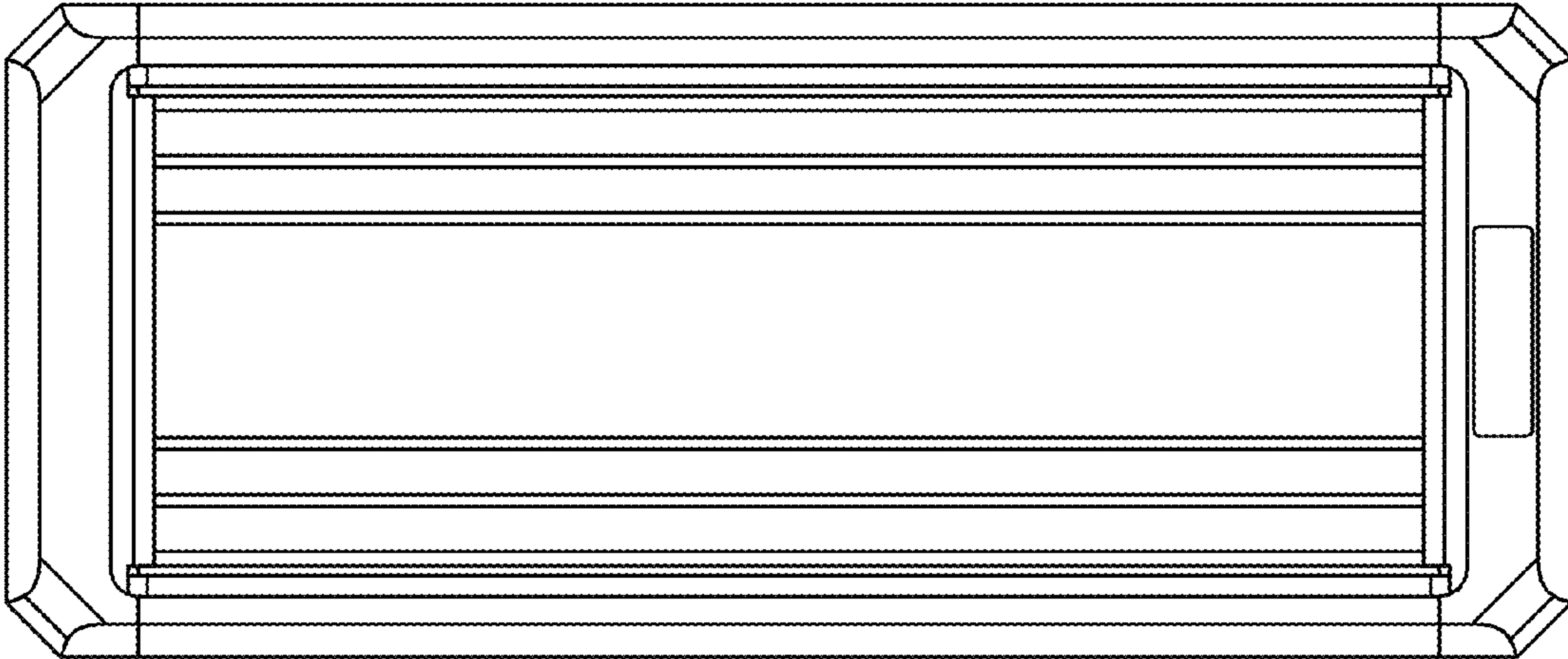


FIG. 3

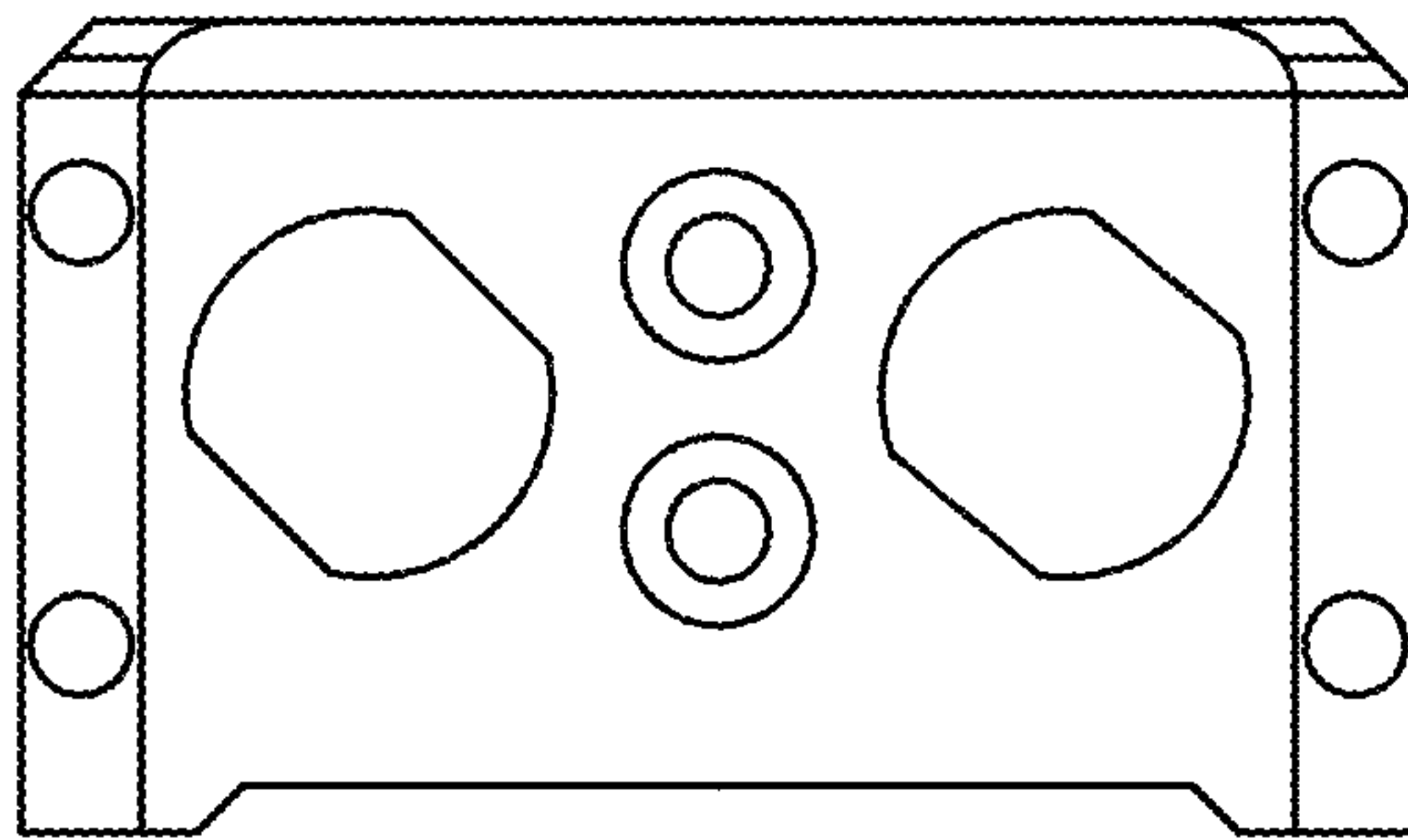


FIG. 4

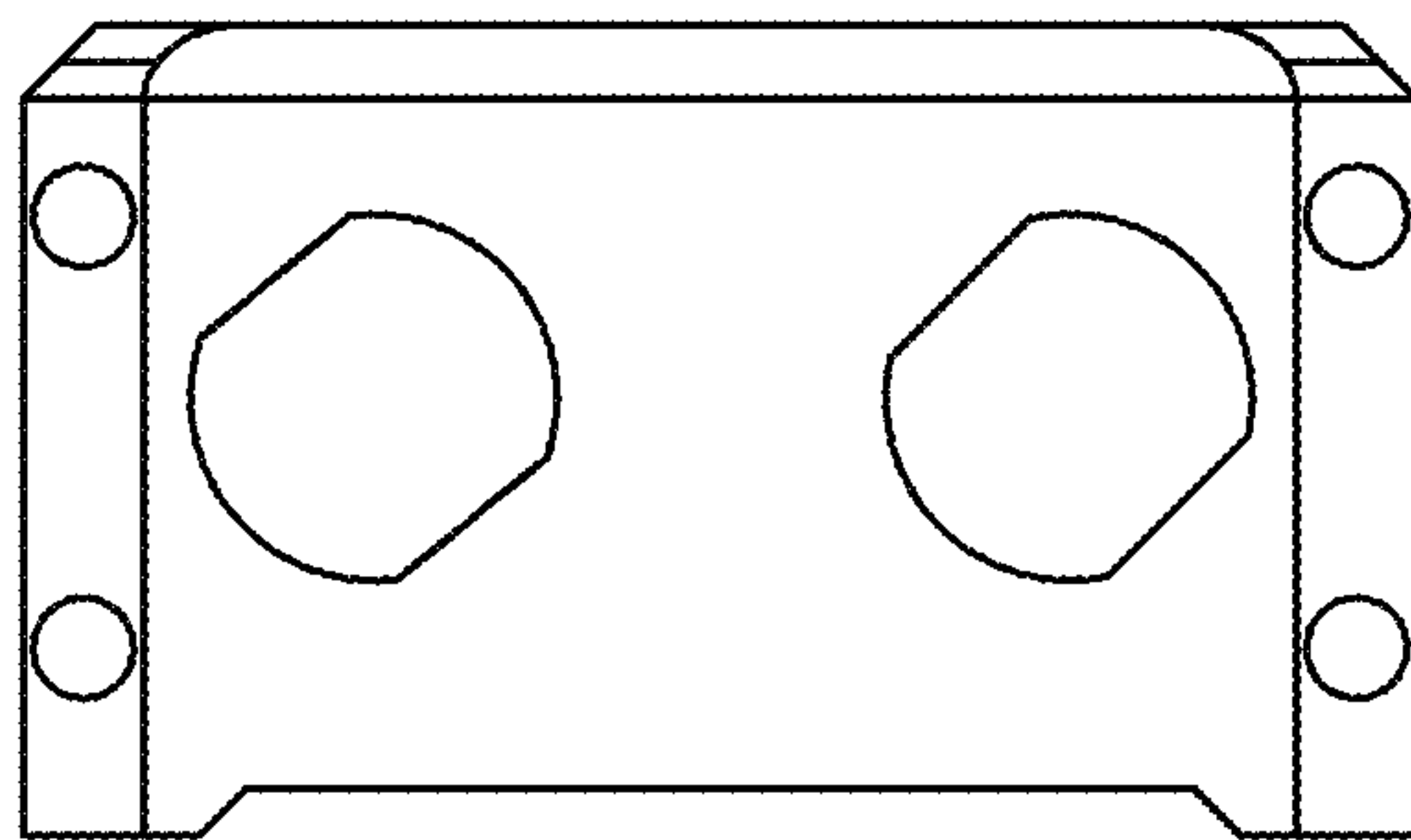


FIG. 5

