



US00D747540S

(12) **United States Design Patent**  
**Serwacki et al.**

(10) **Patent No.:** **US D747,540 S**  
(45) **Date of Patent:** **\*\* Jan. 12, 2016**

(54) **LIGHTING ASSEMBLY**  
(71) Applicant: **Molex Incorporated**, Lisle, IL (US)  
(72) Inventors: **Megan Serwacki**, Oswego, IL (US);  
**Victor Zaderej**, St. Charles, IL (US);  
**Michael Picini**, Aurora, IL (US);  
**Gregory Kuchuris**, Wheaton, IL (US);  
**Daniel McGowan**, Glen Ellyn, IL (US);  
**Timothy Canzano**, Glen Ellyn, IL (US)

D548,391 S \* 8/2007 Lecluze ..... D26/138  
D562,489 S \* 2/2008 Rashidi ..... D26/138  
D562,490 S \* 2/2008 Rashidi ..... D26/138  
D570,531 S \* 6/2008 Rashidi ..... D26/118  
D654,214 S \* 2/2012 Huang ..... D26/139  
D663,888 S 7/2012 Davis  
D684,310 S \* 6/2013 Hashimoto ..... D26/138  
D707,877 S \* 6/2014 Turner ..... D26/118  
D723,153 S \* 2/2015 Borkholder ..... D26/74  
D726,950 S \* 4/2015 Serwacki et al. .... D26/74  
2007/0035951 A1\* 2/2007 Tseng ..... 362/294

(73) Assignee: **Molex Incorporated**, Lisle, IL (US)

(\*\*) Term: **14 Years**

(21) Appl. No.: **29/483,553**

(22) Filed: **Feb. 28, 2014**

(51) **LOC (10) Cl.** ..... **26-99**

(52) **U.S. Cl.**  
USPC ..... **D26/138**

(58) **Field of Classification Search**  
USPC ..... D26/76, 78, 79, 80, 81, 82, 83, 85, 86,  
D26/88, 90, 113, 118, 119, 120, 121, 122,  
D26/138, 139, 140, 141, 142; 362/23.07,  
362/23.09, 23.16, 217.01, 217.02, 217.05,  
362/217.08, 217.09, 218, 249.02, 260,  
362/311.02, 555, 612, 614, 800  
CPC ..... F21S 2/00; F21S 4/00; F21S 4/003;  
F21S 4/005; F21S 4/006; F21S 4/007; F21S  
4/008; F21S 6/00; F21S 8/00; F21S 8/024;  
F21S 8/026; F21S 8/031; F21S 8/033; F21S  
8/035-8/037; F21S 8/04; F21S 8/043; F21S  
8/063  
See application file for complete search history.

(56) **References Cited**

**U.S. PATENT DOCUMENTS**

D387,466 S \* 12/1997 Lecluze ..... D26/118  
D397,472 S \* 8/1998 Lecluze ..... D26/118  
6,267,491 B1 \* 7/2001 Parrigin ..... 362/546  
D465,061 S \* 10/2002 Guthrie ..... D26/138  
D533,959 S \* 12/2006 Wambaugh et al. .... D26/138

**FOREIGN PATENT DOCUMENTS**

JP D1335394 7/2008  
TW 552071 9/2003  
TW D134906 5/2010

**OTHER PUBLICATIONS**

Mar. 24, 2015—(TW) Office Action—App 103305056—Search Report.

\* cited by examiner

*Primary Examiner* — George D Kirschbaum

*Assistant Examiner* — Natasha Vujcic

(74) *Attorney, Agent, or Firm* — Banner & Witcoff, Ltd.

(57) **CLAIM**

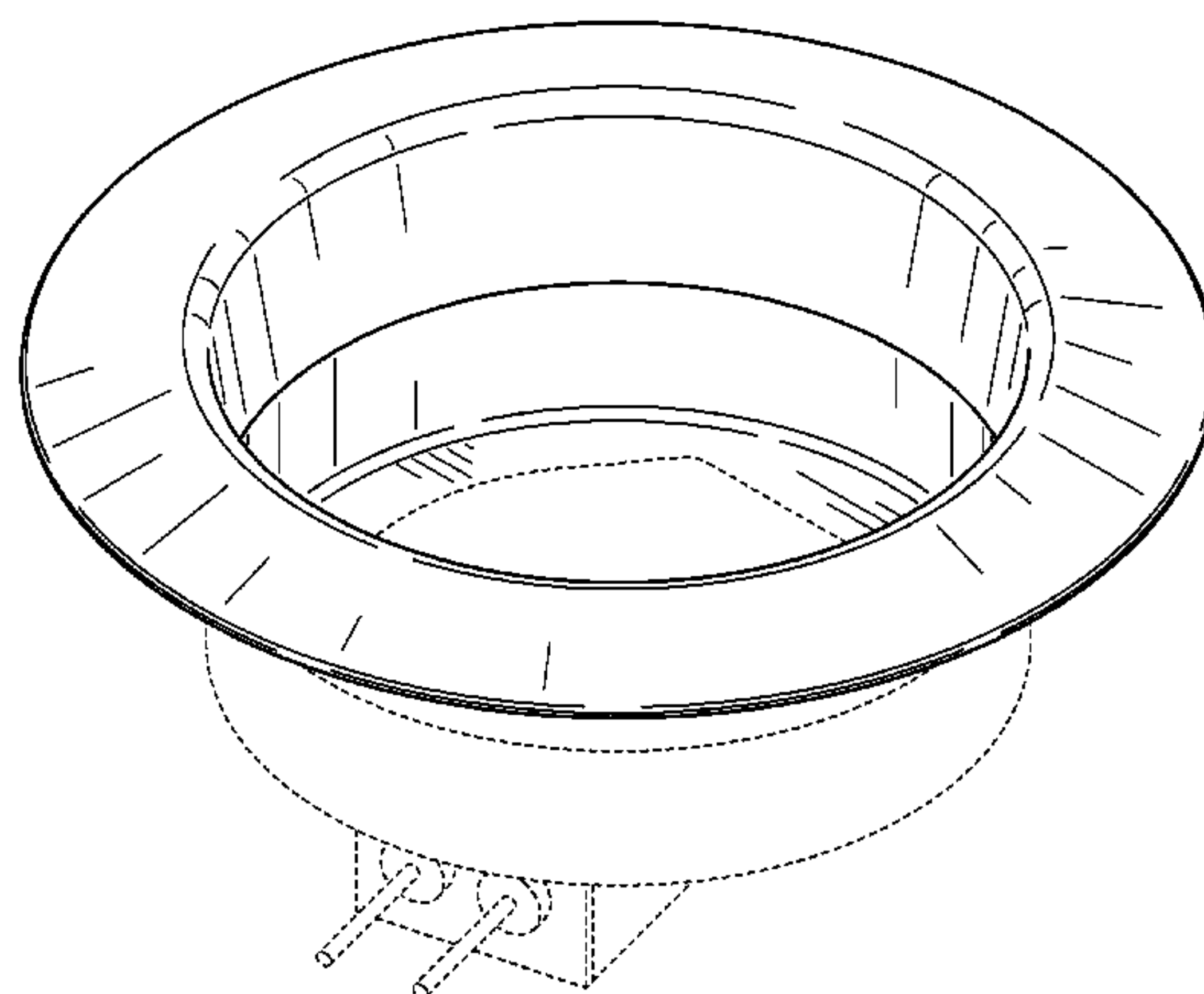
The ornamental design for a lighting assembly, as shown and described.

**DESCRIPTION**

FIG. 1 is a front perspective view of a lighting assembly showing our new design;  
FIG. 2 is a front view thereof;  
FIG. 3 is a rear view thereof;  
FIG. 4 is a right side view thereof;  
FIG. 5 is a left side view thereof;  
FIG. 6 is a top view thereof; and,  
FIG. 7 is a bottom view thereof.

The broken lines in the drawings illustrate the environment of the lighting assembly which forms no part of the claimed design.

**1 Claim, 5 Drawing Sheets**



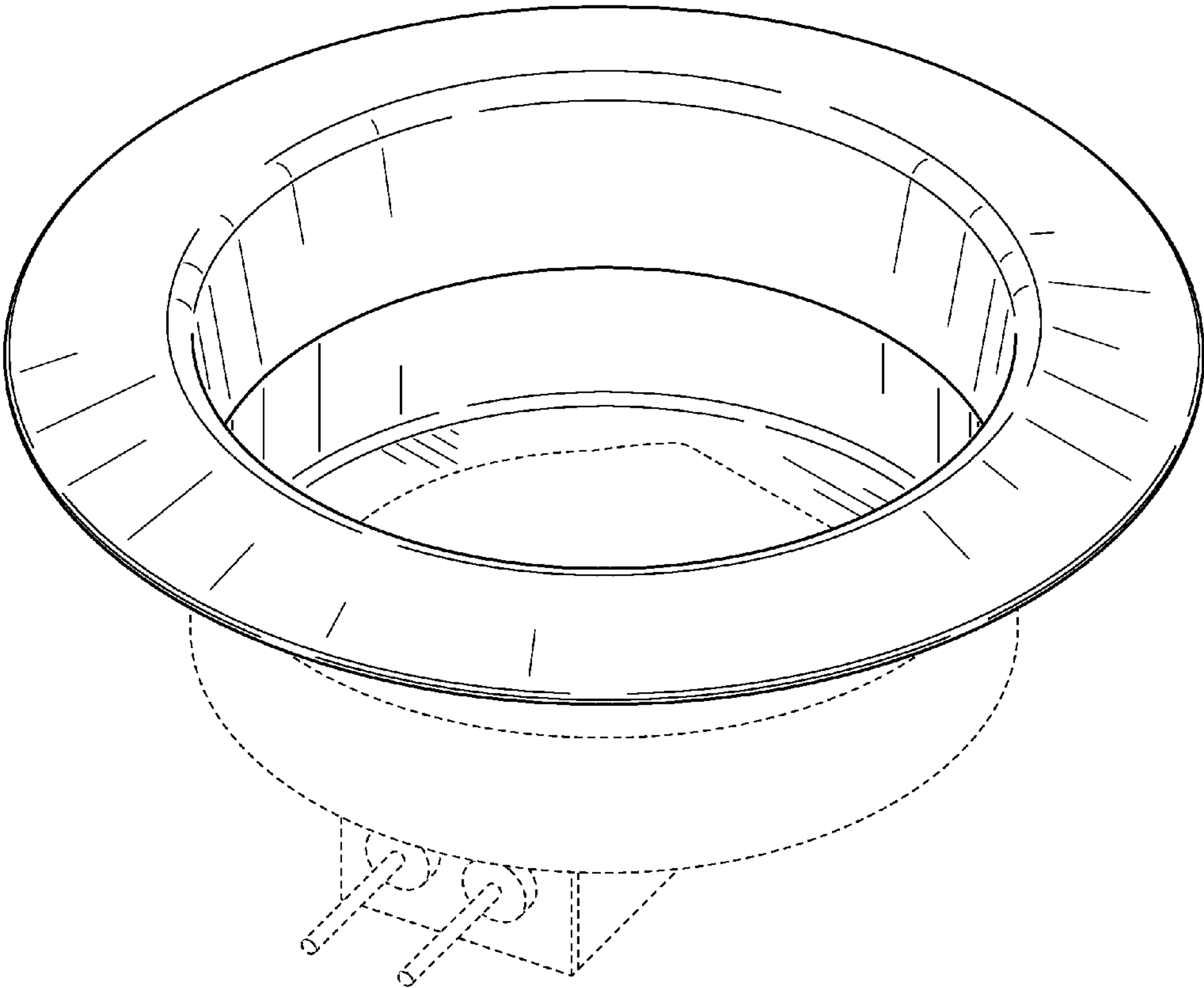


FIG. 1

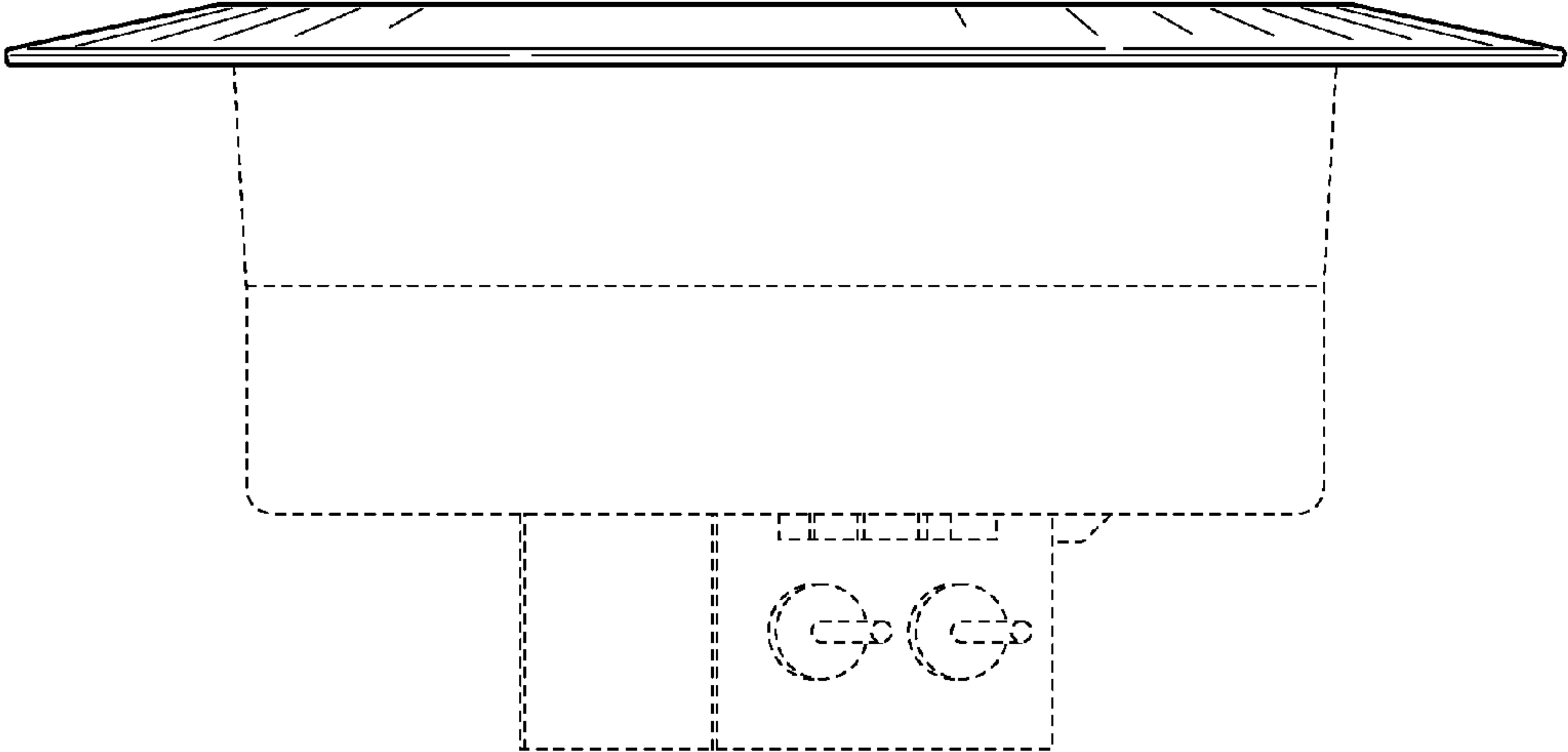


FIG. 2

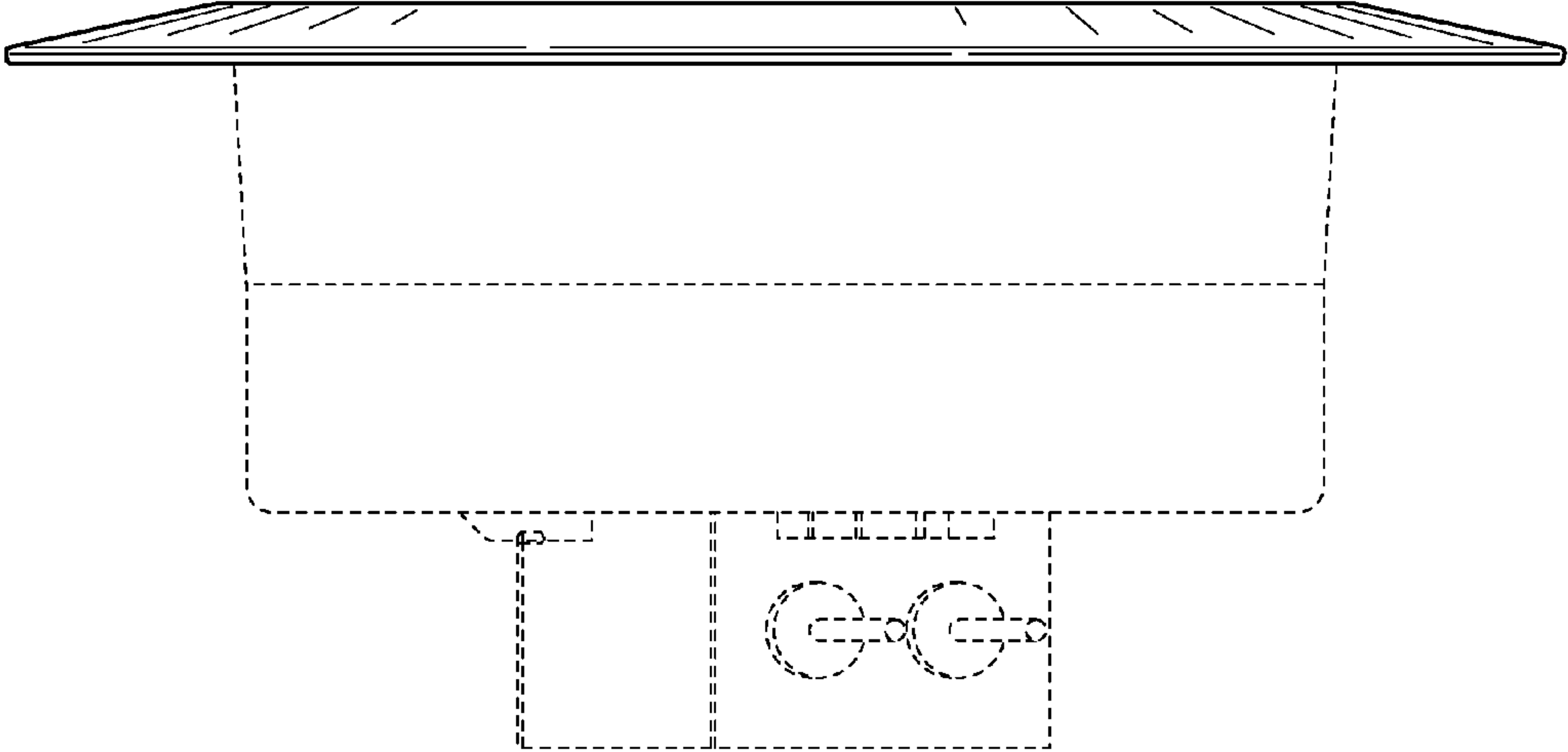


FIG. 3

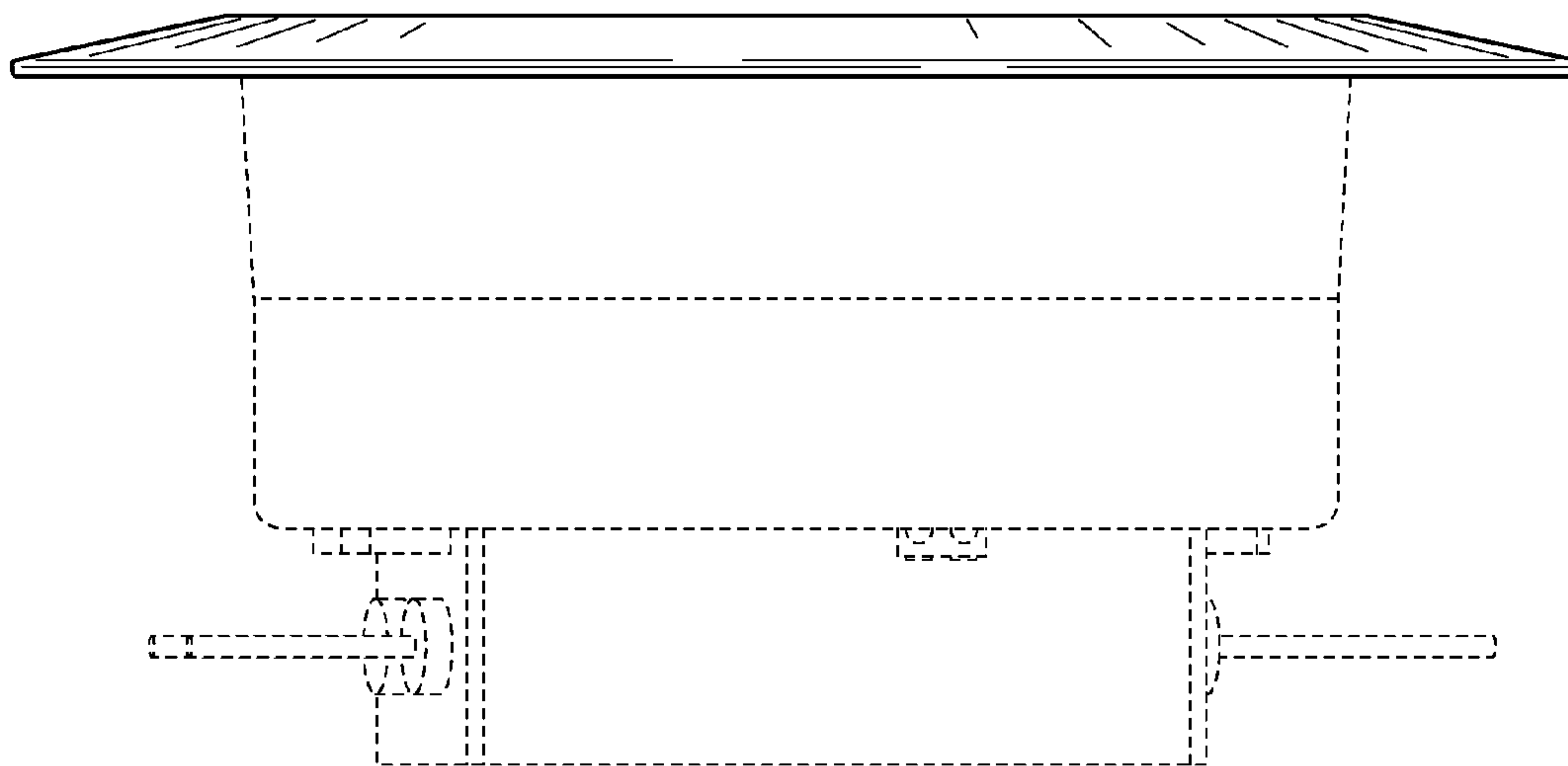


FIG. 4

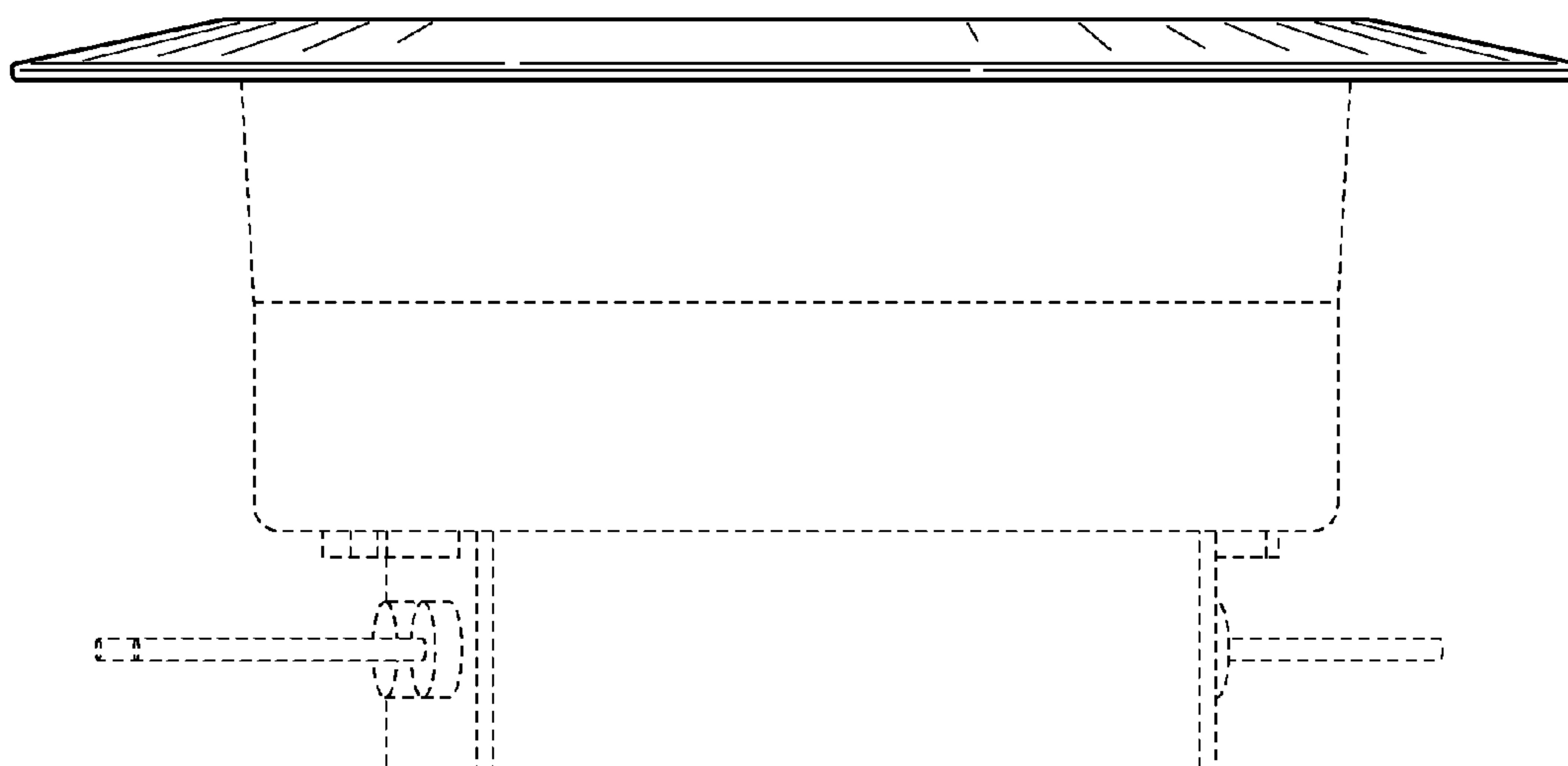


FIG. 5

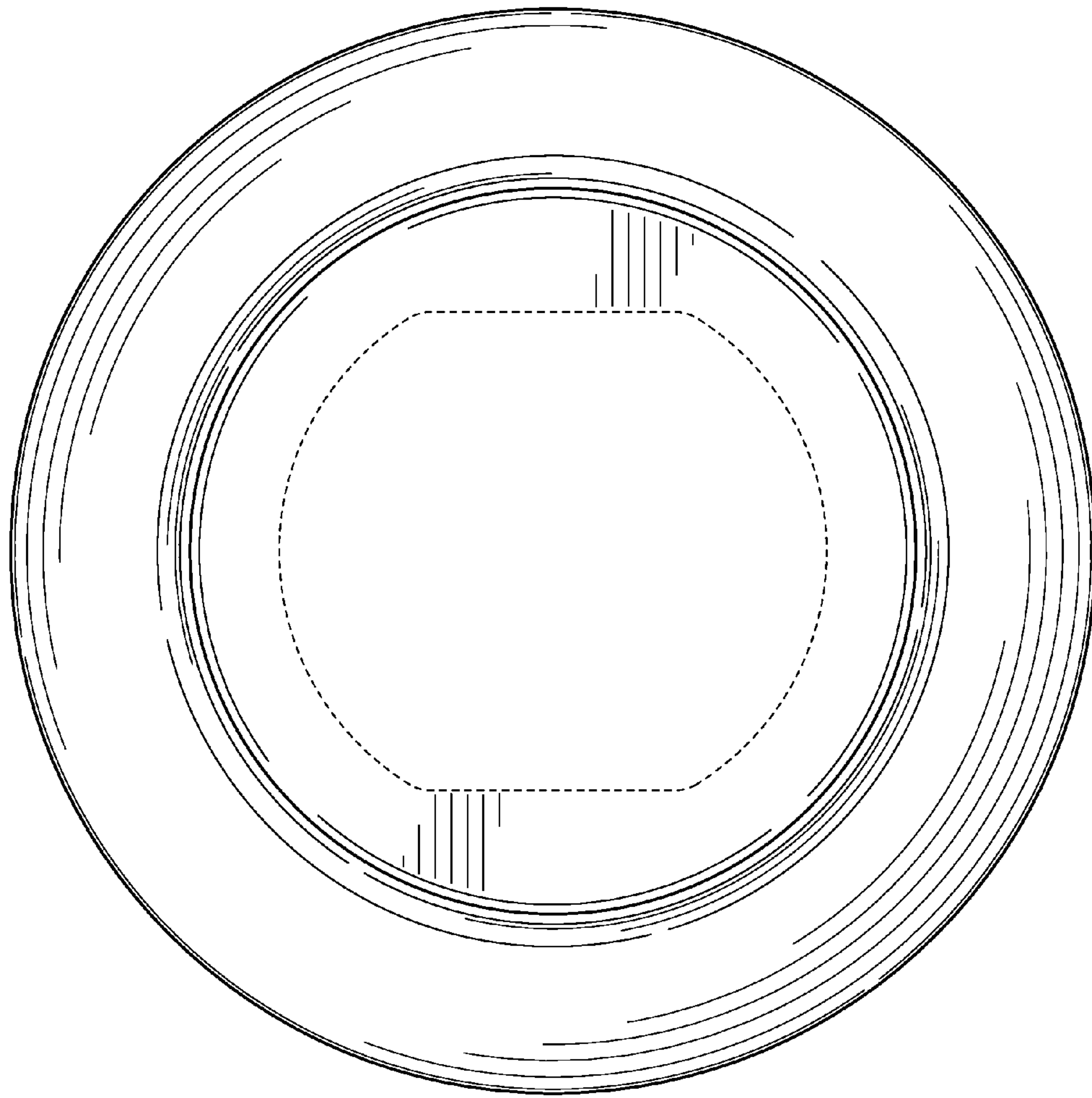


FIG. 6

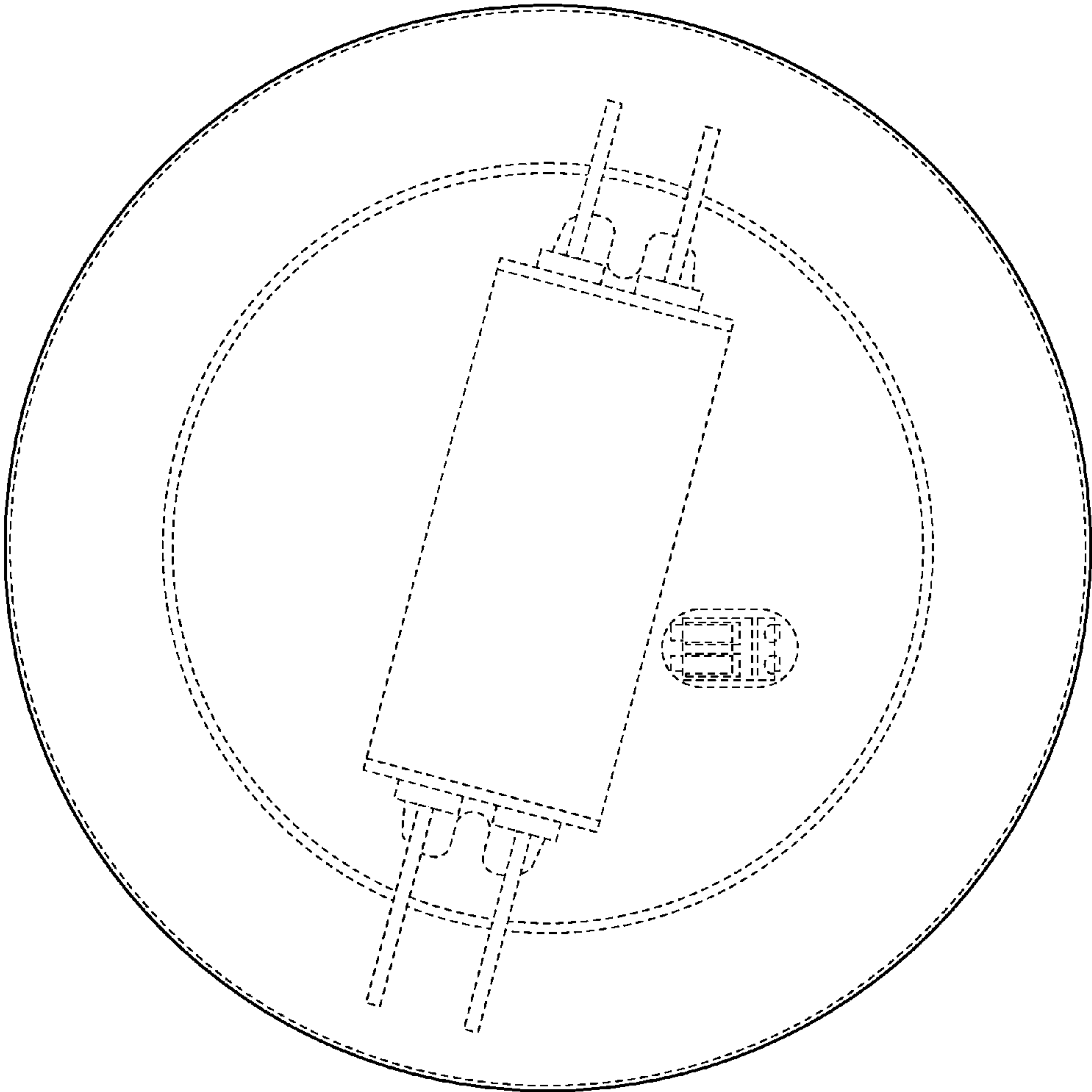


FIG. 7



UNITED STATES PATENT AND TRADEMARK OFFICE  
**CERTIFICATE OF CORRECTION**

PATENT NO. : D747,540 S  
APPLICATION NO. : 29/483553  
DATED : January 12, 2016  
INVENTOR(S) : Serwacki et al.

Page 1 of 1

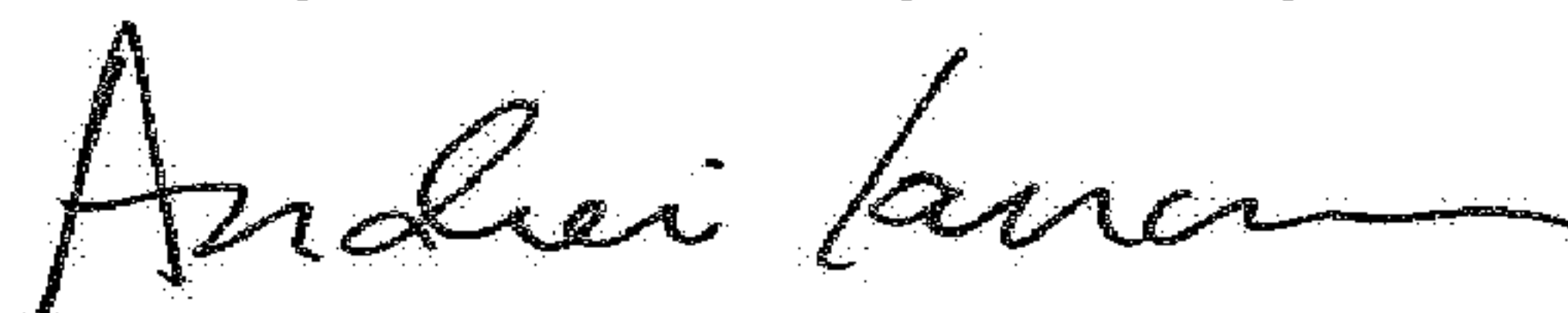
It is certified that error appears in the above-identified patent and that said Letters Patent is hereby corrected as shown below:

On the Title Page

Item (75) should read:

(75) Inventors **Megan Serwacki**, Oswego, IL (US);  
**Victor Zaderej**, St. Charles, IL (US);  
**Michael Picini**, Aurora, IL (US);  
**Gregory Kuchuris**, Wheaton, IL (US);  
**Daniel Megowan**, Glen Ellyn, IL (US);  
**Timothy Canzano**, Glen Ellyn, IL  
(US);  
**Christopher Blount**, Naperville, IL  
(US)

Signed and Sealed this  
Twenty-second Day of May, 2018



Andrei Iancu  
Director of the United States Patent and Trademark Office