

US00D747539S

(12) **United States Design Patent**
Santoro et al.

(10) **Patent No.:** **US D747,539 S**
(45) **Date of Patent:** **** Jan. 12, 2016**

- (54) **LUMINAIRE**
- (71) Applicant: **Fluxwerx Illumination Inc.**, Delta (CA)
- (72) Inventors: **Scott Santoro**, Delta (CA); **Timothy Edward Berman**, Langley (CA); **Lance David Howitt**, Vancouver (CA)
- (73) Assignee: **Fluxwerx Illumination Inc.**, Delta (CA)
- (**) Term: **14 Years**
- (21) Appl. No.: **29/520,325**
- (22) Filed: **Mar. 13, 2015**

Related U.S. Application Data

- (62) Division of application No. 29/443,179, filed on Jan. 14, 2013, now Pat. No. Des. 737,500.
- (51) **LOC (10) Cl.** **26-99**
- (52) **U.S. Cl.**
USPC **D26/120**
- (58) **Field of Classification Search**
USPC D26/9, 10, 12, 13, 15, 16, 24, 51, 61, D26/72, 76, 80, 81, 85, 86, 88, 90, 113, 118, D26/119, 120, 122, 128, 129, 138, 143, 144, D26/5, 6, 11, 79, 114, 116, 131, 137, 121, D26/127, 135, 180, 28, 29, 97, 126, 64, 65, D26/124, 125, 132, 84, 87, 69, 62, 1, 2, 134, D26/89, 145, 142, 74, 63; D13/180, 179, D13/133, 113; D10/18, 21, 24, 25, 27, 28, D10/46, 93, 104.1, 113, 114, 116.1, 118; D17/99
CPC B60Q 1/04; B60Q 1/26; F21S 8/026; F21S 8/04; F21S 8/035; F21V 29/004; F21V 21/02; F21V 21/04; F21V 29/2212; F21V 37/002; F21V 7/00; F21V 29/83; F21V 7/22; F21Y 2101/02; F21Y 2103/00; F21L 19/00; F23D 11/443; A61L 9/037; H01R 33/0836; H01R 2103/00; H01R 24/68; G02B 6/4298
See application file for complete search history.

(56) **References Cited**

U.S. PATENT DOCUMENTS

3,664,254 A * 5/1972 Henson F24F 13/00
165/53

3,741,588 A * 6/1973 Dotterweich B60D 1/06
280/491.5

(Continued)

OTHER PUBLICATIONS

Frameless pendant luminaire rectangular, image post date 2004, site visited Dec. 16, 2014, (online), <<http://www.architonic.com/pmsht/frameless-luminaire-family-spectra1/1010195>>.*

(Continued)

Primary Examiner — Kevin Rudzinski

Assistant Examiner — Sean D Lough

(74) *Attorney, Agent, or Firm* — Oyen Wiggs Green & Mutala LLP

(57) **CLAIM**

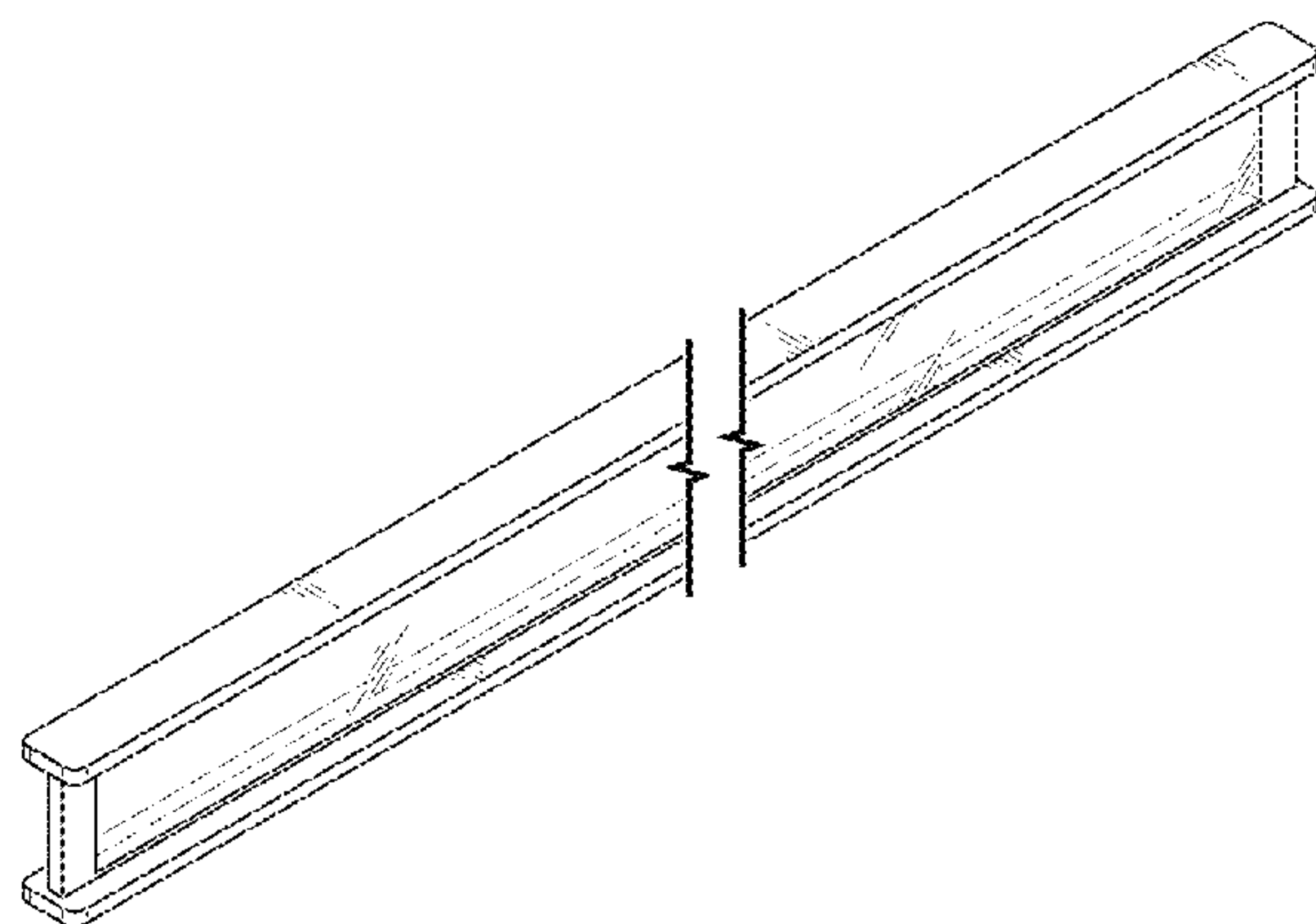
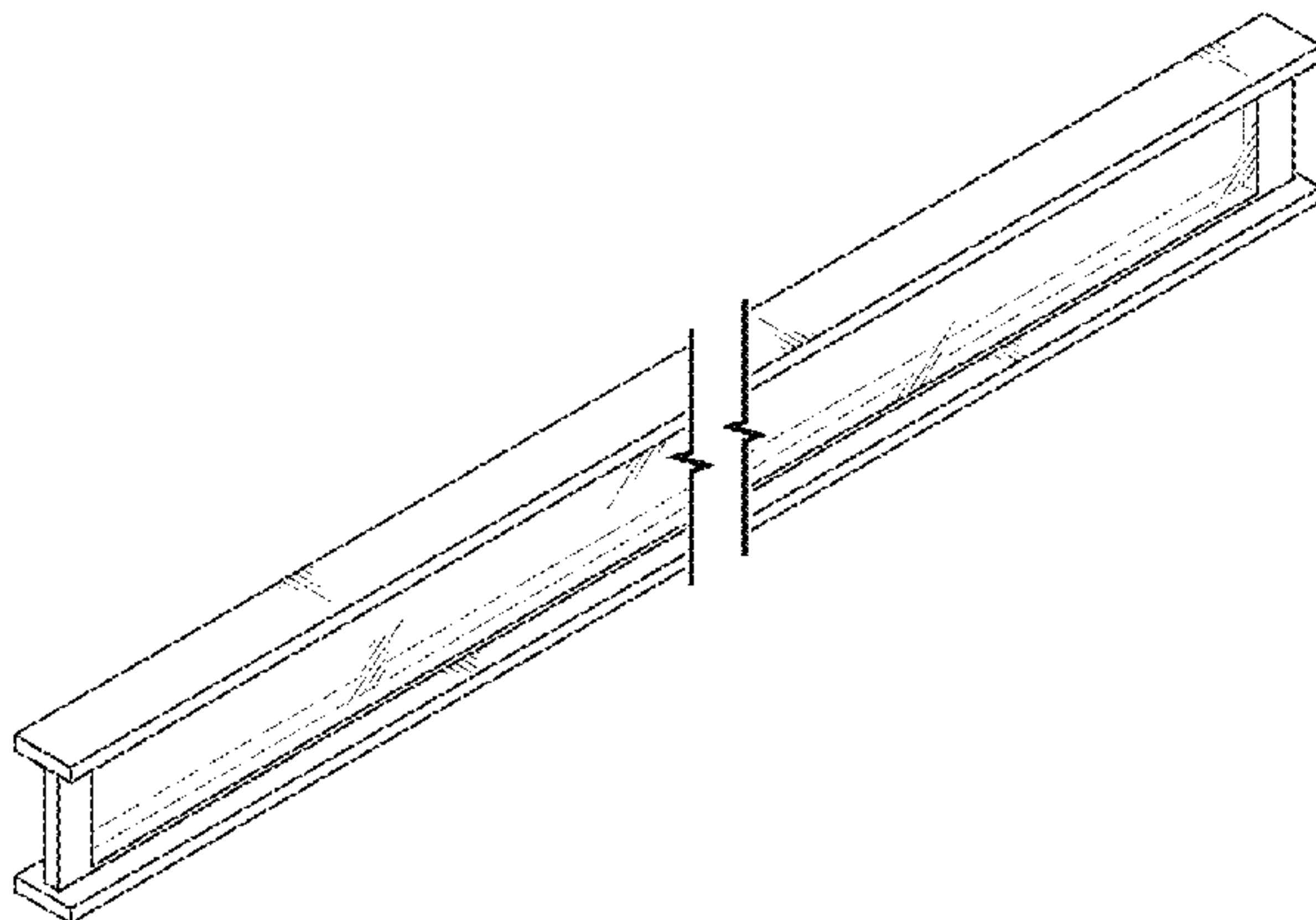
The ornamental design for a luminaire, as shown and described.

DESCRIPTION

FIG. 1 is a perspective view of a first embodiment of a luminaire, showing our new design;
 FIG. 2 is a front view thereof; the rear view being identical thereto;
 FIG. 3 is a top view thereof;
 FIG. 4 is a bottom view thereof;
 FIG. 5 is a left side view thereof;
 FIG. 6 is a right side view thereof;
 FIG. 7 is a perspective view of a second embodiment of a luminaire, showing our new design;
 FIG. 8 is a front view thereof; the rear view being identical thereto;
 FIG. 9 is a top view thereof;
 FIG. 10 is a bottom view thereof;
 FIG. 11 is a left side view thereof; and,
 FIG. 12 is a right side view thereof.

The luminaire is shown with symbolic break lines along its width. The appearance of any portion of the article between the break lines forms no part of the claimed design.
 The broken lines present in FIGS. 4 and 10 illustrate portions of the luminaire that form no part of the claimed design.

1 Claim, 4 Drawing Sheets



(56)

References Cited

U.S. PATENT DOCUMENTS

3,800,660 A * 4/1974 Gladwin B23C 1/16
409/121
3,807,105 A * 4/1974 Rudkin, Jr. E04B 1/34853
52/79.7
3,995,904 A * 12/1976 Matthews B66C 1/64
294/104
4,045,665 A * 8/1977 Williams F21S 8/035
362/223
D251,806 S * 5/1979 Brady D25/119
D302,049 S * 7/1989 Gecchelin D26/122
D304,173 S * 10/1989 Frassati D13/155
D321,063 S * 10/1991 Neece D26/139
5,207,504 A * 5/1993 Swift F21S 8/04
362/147
D373,432 S * 9/1996 Wu D26/28
D374,295 S * 10/1996 Farchione D12/114
D418,936 S * 1/2000 Dunning D26/3
D539,945 S * 4/2007 Egawa D26/24
D545,483 S * 6/2007 Mayfield, III D26/118
D545,991 S * 7/2007 Mayfield, III D26/118
7,267,459 B2 * 9/2007 Matheson F21K 9/00
362/240
7,314,295 B2 * 1/2008 Legat F21V 15/01
362/223
D569,542 S * 5/2008 Toda D26/122
D580,583 S * 11/2008 Pfund D26/76
D581,080 S * 11/2008 Mier-Langner D26/63
D584,848 S * 1/2009 Menke D26/76
D597,241 S * 7/2009 Fabbri D26/74
D599,945 S * 9/2009 Pfund D26/76
D602,626 S * 10/2009 Santoro D26/76
D608,929 S * 1/2010 Castelli D26/76
D608,933 S * 1/2010 Castelli D26/76
D612,958 S * 3/2010 Uemoto D26/1
D614,792 S * 4/2010 Fabbri D26/120
D618,845 S * 6/2010 Mark D26/113
D620,189 S * 7/2010 Hill D26/119
D621,542 S * 8/2010 Klus D26/138
D621,989 S * 8/2010 Proner D26/76
D623,149 S * 9/2010 Peifer D13/180
D626,268 S * 10/2010 Santoro D26/76
D626,278 S * 10/2010 Sabernig D26/88
D629,553 S * 12/2010 Gielen D26/76
D629,554 S * 12/2010 Gielen D26/76
D637,753 S * 5/2011 Ng D26/78
D645,192 S * 9/2011 Chung D26/75
D645,193 S * 9/2011 Chung D26/75
D646,003 S * 9/2011 Wang D26/24
D647,246 S * 10/2011 Chadwick D26/138

8,038,315 B1 * 10/2011 Santoro F21S 8/061
362/217.05
D650,509 S * 12/2011 Wegger D26/90
D653,375 S * 1/2012 Chung D26/75
D653,786 S * 2/2012 Chung D26/75
D653,790 S * 2/2012 Chung D26/75
D660,259 S * 5/2012 Wang D13/180
D660,497 S * 5/2012 Chung D26/75
D660,498 S * 5/2012 Chung D26/75
D661,263 S * 6/2012 Okuwaki D13/180
D661,422 S * 6/2012 Ferguson D26/120
D675,580 S * 2/2013 Edmond D13/180
D677,422 S * 3/2013 Lin D26/120
D677,423 S * 3/2013 Reddy D26/128
D679,860 S * 4/2013 Maxik D26/141
D680,679 S * 4/2013 Kim D26/118
D681,265 S * 4/2013 Kim D26/141
D685,130 S * 6/2013 Kim D26/141
D695,951 S * 12/2013 Miyatake D26/120
D700,736 S * 3/2014 Schuyler D26/113
D702,875 S * 4/2014 Klus D25/122
D707,880 S * 6/2014 Magnusson D26/120
D711,037 S * 8/2014 Lehman D26/77
D711,581 S * 8/2014 Cho D26/113
D711,584 S * 8/2014 Parker D26/120
D713,088 S * 9/2014 Kitts D26/85
D717,990 S * 11/2014 Nakai D26/120
D724,261 S * 3/2015 Klus D26/141
D724,776 S * 3/2015 Sonneman D26/85
D726,361 S * 4/2015 Rischau D26/107
D726,362 S * 4/2015 Kim D13/180
D727,551 S * 4/2015 Clark D26/88
D727,554 S * 4/2015 Clark D26/90
D728,153 S * 4/2015 Blessitt D26/118
D731,700 S * 6/2015 Santoro D26/118
D732,225 S * 6/2015 Grandsart D26/75
D732,226 S * 6/2015 Hartman D26/76
D733,347 S * 6/2015 Dungan D26/76
D733,355 S * 6/2015 Klus D26/138
D737,500 S * 8/2015 Santoro D26/120

OTHER PUBLICATIONS

Ecotoxic Panorama Pro LED Light Strip, image post date Oct. 20, 2012, site visited Sep. 25, 2014 (online), <http://www.drsfostersmith.com/product/prod_display.cfm?pcatid=24727>.*
Prado Mirror from Wayback Machine, image post date Dec. 18, 2012, site visited Dec. 16, 2014, (online), <<http://web.archive.org/web/20121218021303/http://store.luminaire.com/prado-mirror>>.*
Vintage Aluminum Level, image post date 1940s, site visited Sep. 7, 2015, (online), <<https://www.etsy.com/listing/220645752/vintage-metal-level-red-level-port?ref=market>>.*

* cited by examiner

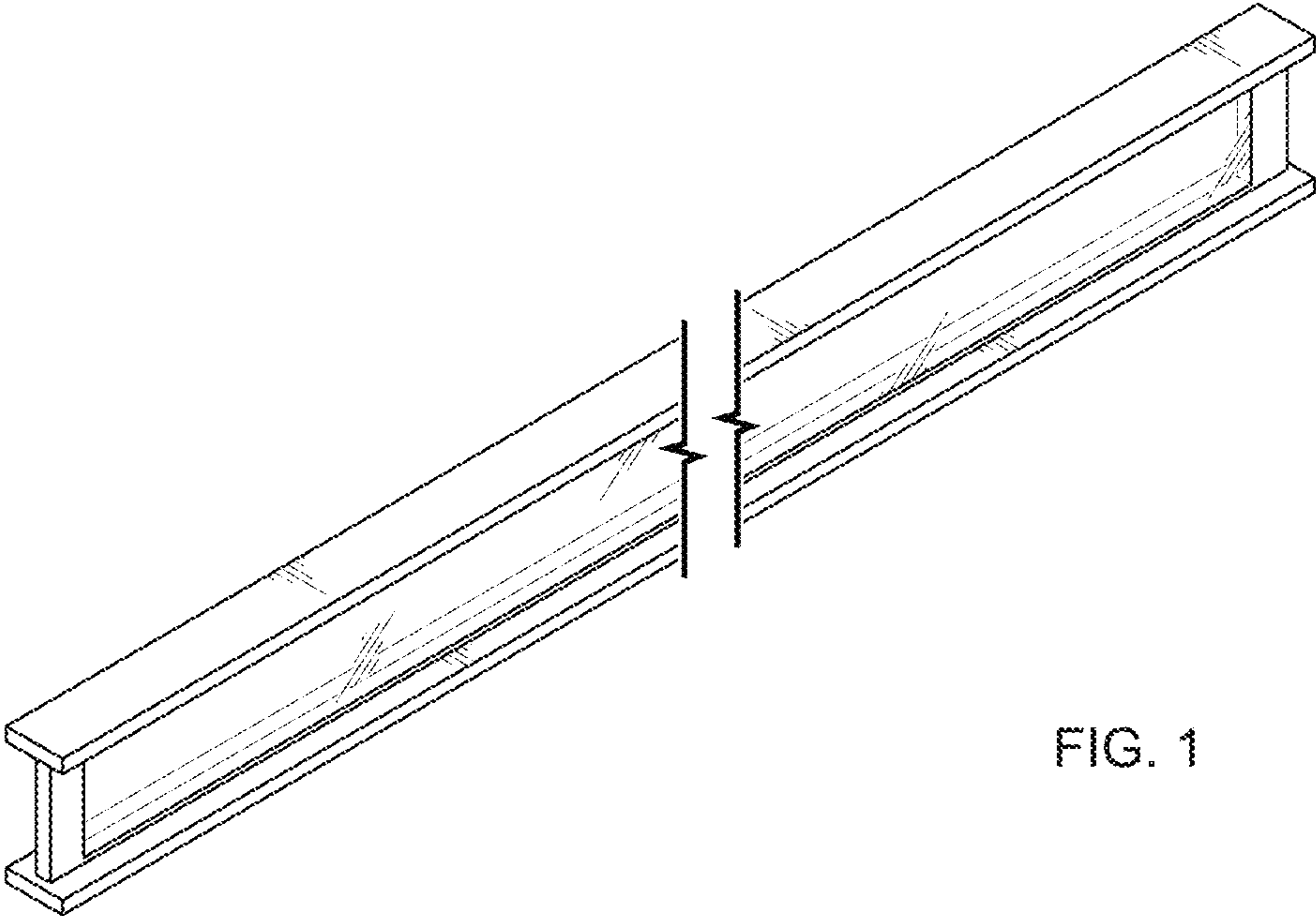


FIG. 1



FIG. 3

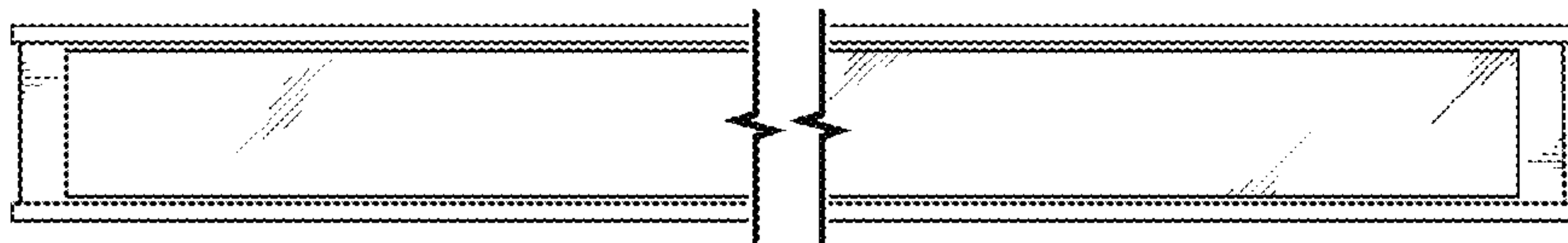


FIG. 2



FIG. 4

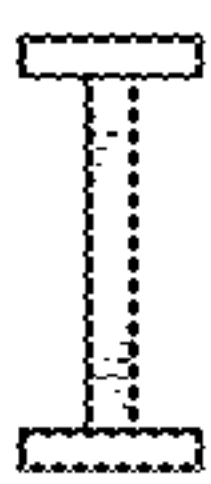


FIG. 5

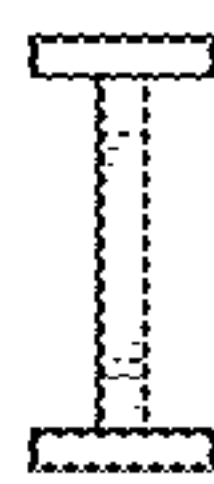


FIG. 6

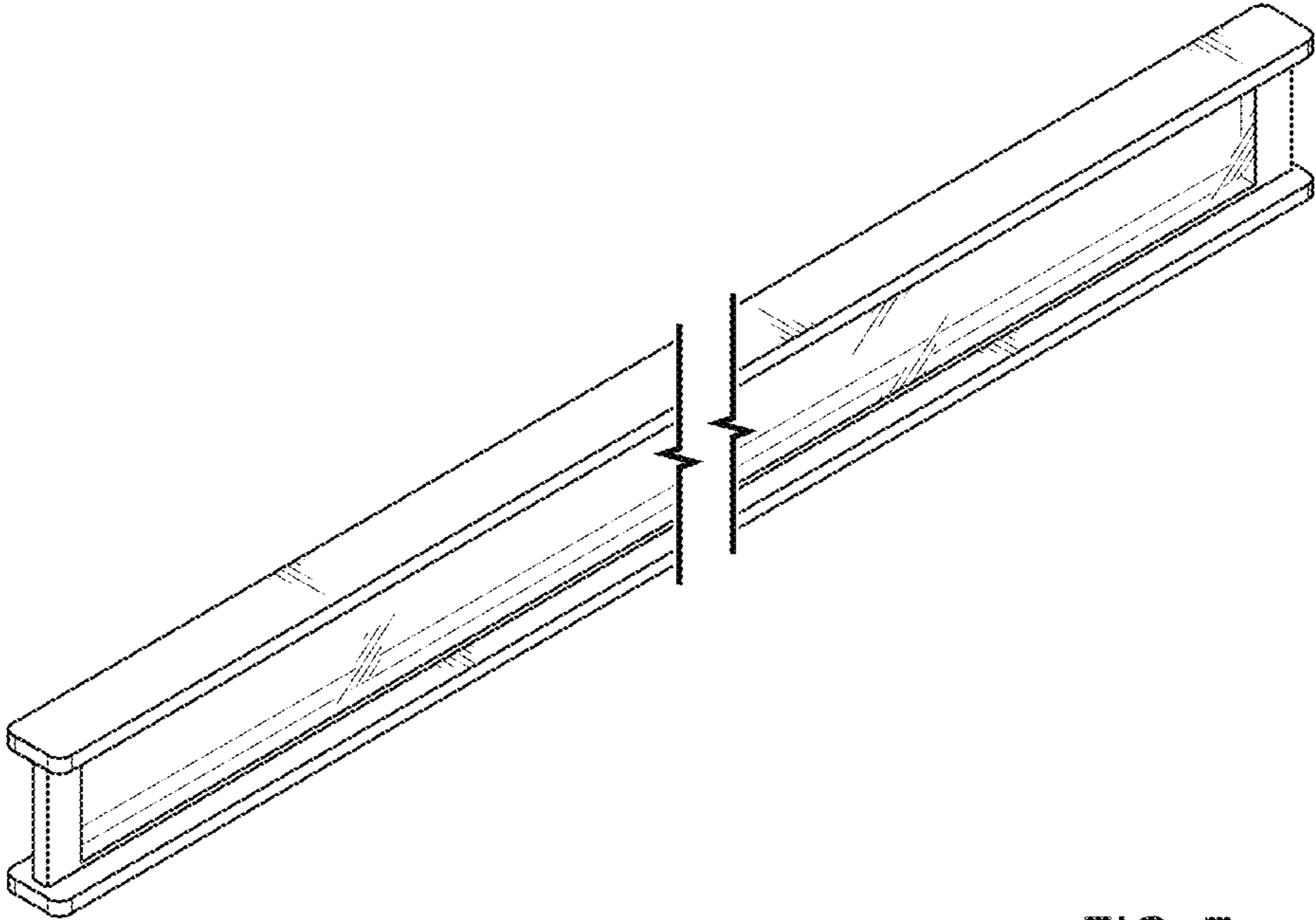


FIG. 7

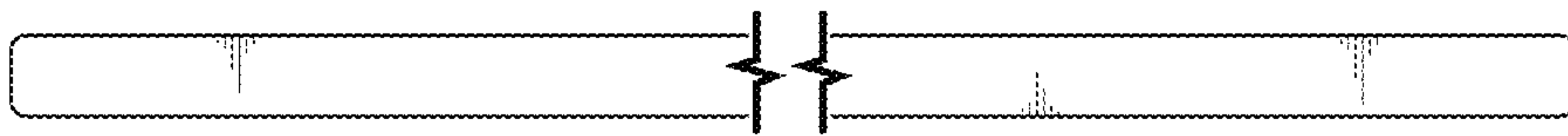


FIG. 9

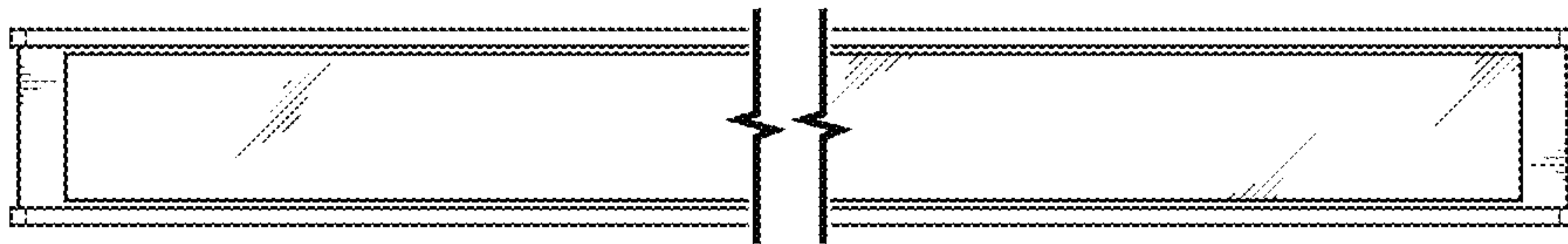


FIG. 8

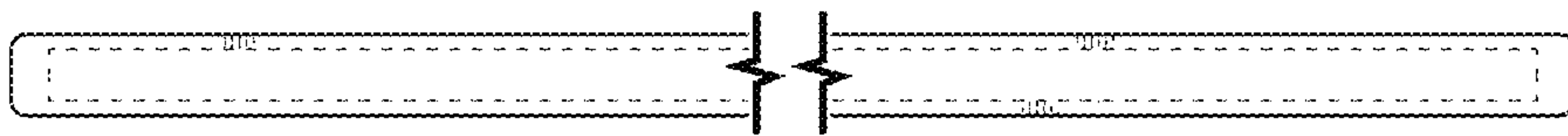


FIG. 10

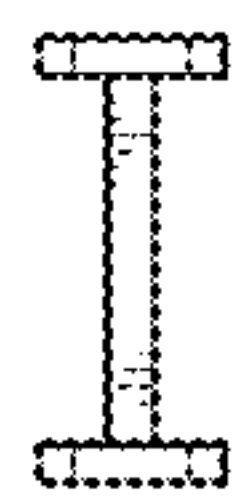
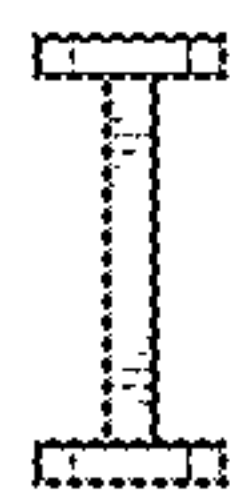


FIG. 11

FIG. 12