



US00D747538S

(12) **United States Design Patent**
Hargreaves

(10) **Patent No.:** **US D747,538 S**
(45) **Date of Patent:** **** Jan. 12, 2016**

(54) **HORTICULTURE GROW LIGHT REFLECTOR**

- (71) Applicant: **IP Holdings, LLC**, Vancouver, WA (US)
- (72) Inventor: **Craig Hargreaves**, Vancouver, WA (US)
- (73) Assignee: **IP Holdings, LLC**, Vancouver, WA (US)
- (**) Term: **14 Years**
- (21) Appl. No.: **29/526,076**
- (22) Filed: **May 6, 2015**

Related U.S. Application Data

- (62) Division of application No. 29/482,993, filed on Feb. 24, 2014, now Pat. No. Des. 731,701.
- (51) **LOC (10) Cl.** **26-99**
- (52) **U.S. Cl.**
USPC **D26/118**
- (58) **Field of Classification Search**
USPC D26/9, 10, 12, 13, 15, 16, 24, 51, 61, D26/72, 76, 80, 81, 85, 86, 88, 90, 113, 118, D26/119, 120, 122, 128, 129, 138, 143, 144, D26/5, 6, 11, 79, 114, 116, 131, 137, 121, D26/127, 135, 180; D13/180; D10/18, 21, D10/24, 25, 27, 28, 46, 93, 104.1, 113, 114, D10/116.1; D17/99
CPC B60Q 1/04; B60Q 1/26; F21S 8/026; F21S 8/04; F21V 29/004; F21V 21/02; F21V 21/04; F21V 29/2212; F21V 37/002; F21V 7/00; F21V 29/83; F21V 7/22; F21Y 2101/02; F21L 19/00; F23D 11/443; A61L 9/037

See application file for complete search history.

(56) **References Cited**

U.S. PATENT DOCUMENTS

- 3,433,941 A * 3/1969 Hall F21V 7/09 362/294
- 4,531,180 A * 7/1985 Hernandez F21V 11/00 362/297

(Continued)

OTHER PUBLICATIONS

Apollo Horticulture GLRLS24 6" Inch Air Cooled Hydroponic Grow Light Glass Reflector Hood, image post date Oct. 15, 2010, site visited Oct. 3, 2014, (online), <http://www.amazon.com/Apollo-Horticulture-GLRLS24-Hydroponic-Reflector/dp/B00BMVK8HG/ref=cm_cd_ql_qh_dp_i>.*

Primary Examiner — Kevin Rudzinski
Assistant Examiner — Sean D Lough

(74) *Attorney, Agent, or Firm* — J. Douglas Well

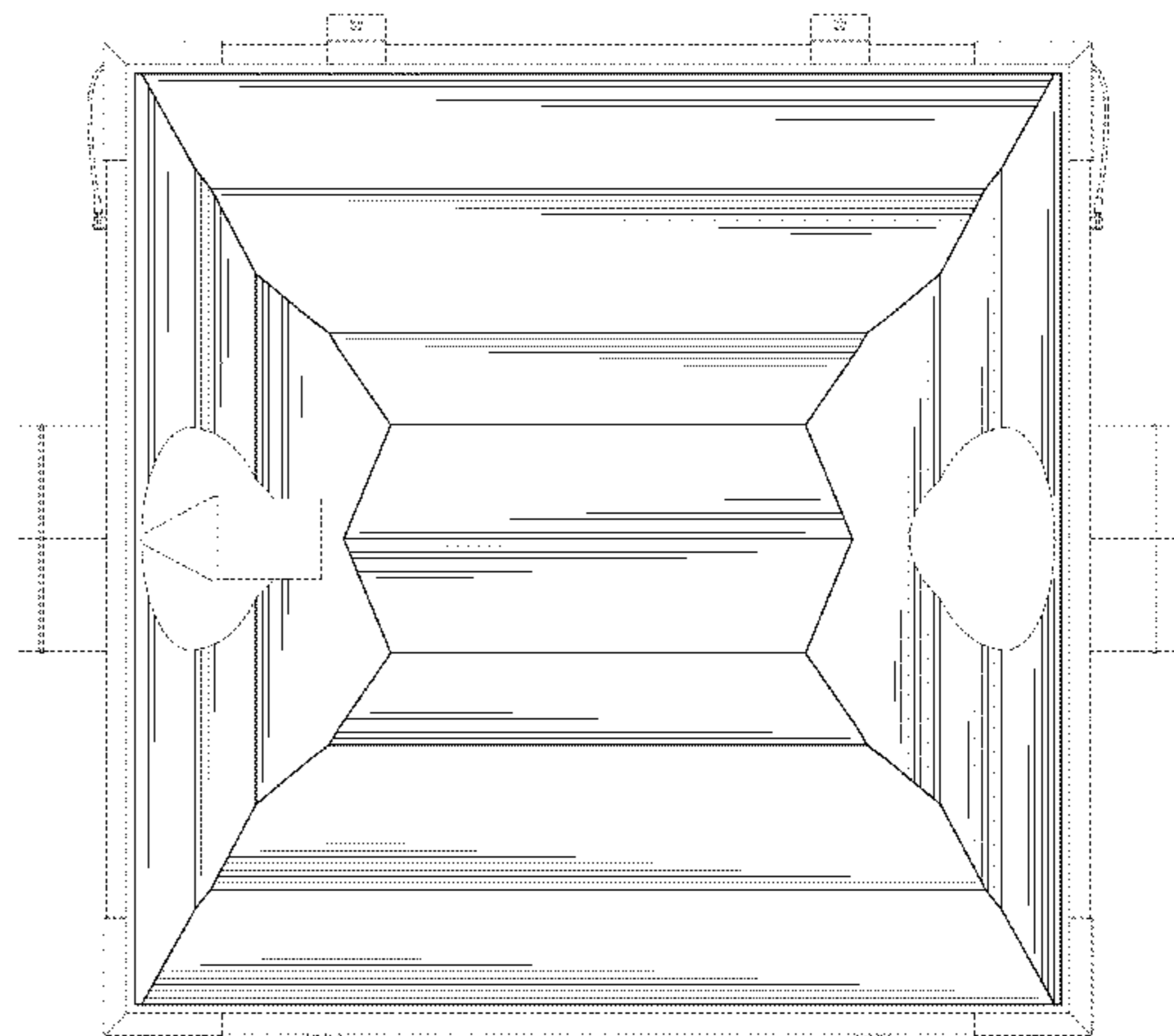
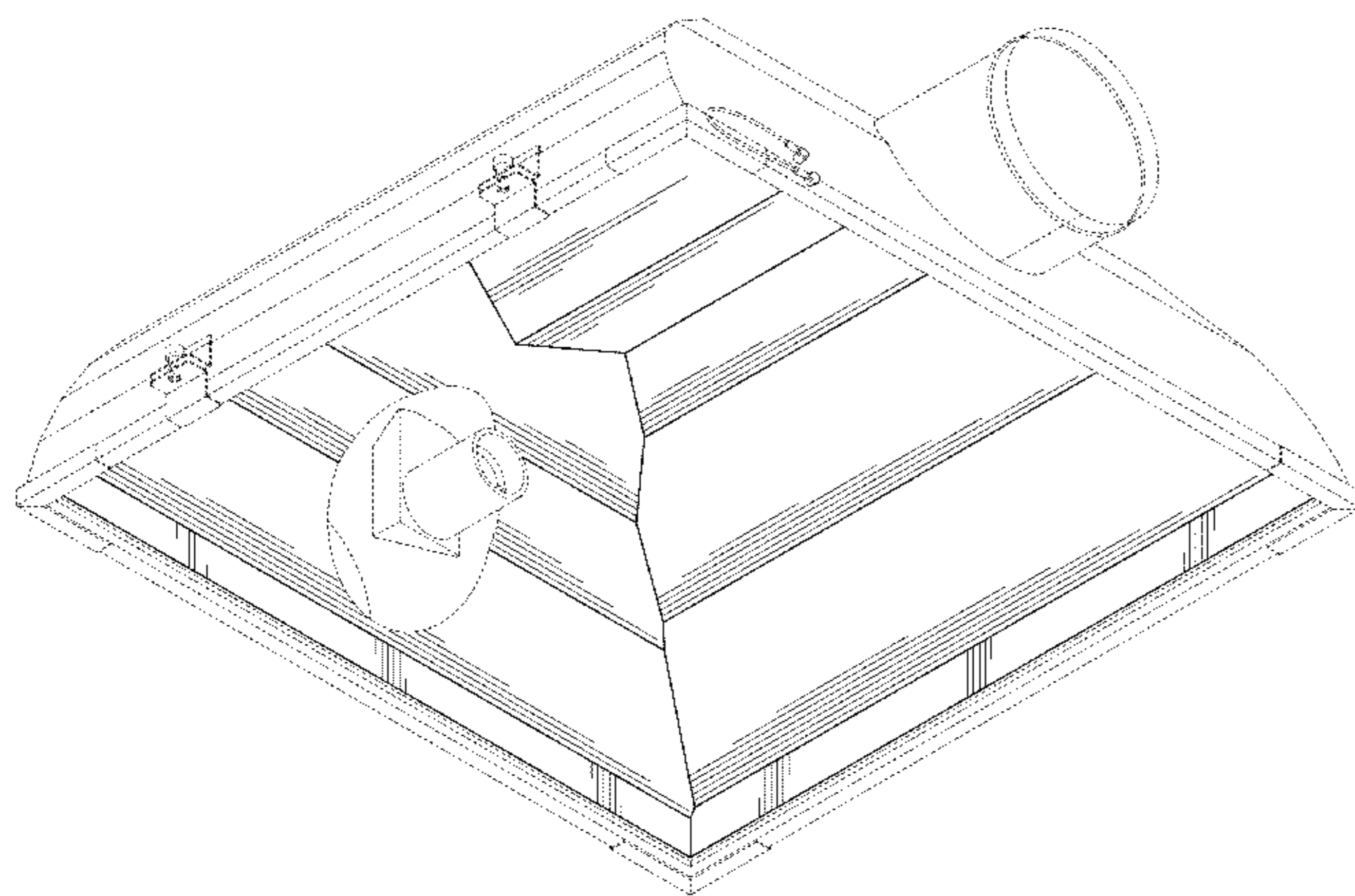
(57) **CLAIM**

The ornamental design for a horticulture grow light reflector, as shown and described.

DESCRIPTION

FIG. 1 is a perspective view of a horticulture grow light reflector, as viewed from below, showing my new design; FIG. 2 is a perspective view of the reflector shown in FIG. 1, as viewed from above; FIG. 3 is a left side view of the reflector shown in FIG. 1; FIG. 4 is a right side view of the reflector shown in FIG. 1; FIG. 5 is a front elevation view of the reflector shown in FIG. 1; FIG. 6 is a rear elevation view of the reflector shown in FIG. 1; FIG. 7 is a top plan view of the reflector shown in FIG. 1; and, FIG. 8 is a bottom plan view of the reflector shown in FIG. 1. The broken-line disclosure shown in the views is understood to represent portions of the article in which the claimed design is embodied, but which form no part of the claimed design.

1 Claim, 6 Drawing Sheets



(56)

References Cited

U.S. PATENT DOCUMENTS

D300,877 S * 4/1989 Cyr D26/118
6,024,468 A * 2/2000 Kassay F21S 8/06
362/217.05
D456,938 S * 5/2002 Wardenburg D26/118
D542,460 S * 5/2007 Hargreaves D26/118
D543,652 S * 5/2007 Hargreaves D26/118
D544,136 S * 6/2007 Hargreaves D26/118
D544,138 S * 6/2007 Hargreaves D26/118
D544,982 S * 6/2007 Hargreaves D26/76
D544,985 S * 6/2007 Hargreaves D26/76
D544,987 S * 6/2007 Hargreaves D26/88
D544,994 S * 6/2007 Hargreaves D26/118
D544,995 S * 6/2007 Hargreaves D26/118
D545,484 S * 6/2007 Hargreaves D26/118
D545,485 S * 6/2007 Hargreaves D26/118
D545,996 S * 7/2007 Hargreaves D26/118
7,722,228 B2 * 5/2010 Broer A01G 9/26
362/264
D634,060 S * 3/2011 Wardenburg D26/118

D634,468 S * 3/2011 Hargreaves D26/118
D634,469 S * 3/2011 Hargreaves D26/118
D637,341 S * 5/2011 Wardenburg D26/118
D637,752 S * 5/2011 Mekhtarian D26/72
D675,369 S * 1/2013 Michaud D26/118
D698,986 S * 2/2014 Reynolds D26/118
D720,505 S * 12/2014 Kersten D30/121
D725,819 S * 3/2015 Reynolds D26/118
D731,701 S * 6/2015 Hargreaves D26/118
D732,233 S * 6/2015 Reynolds D26/118
D732,235 S * 6/2015 Reynolds D26/118
D732,236 S * 6/2015 Reynolds D26/118
D736,450 S * 8/2015 Reynolds D26/118
2008/0205030 A1 * 8/2008 Hargreaves F21V 23/026
362/1
2009/0310373 A1 * 12/2009 Burkhauser A01G 9/26
362/373
2010/0277929 A1 * 11/2010 Hargreaves A01G 9/26
362/368
2013/0083539 A1 * 4/2013 Dimitriadis F21V 7/00
362/297

* cited by examiner

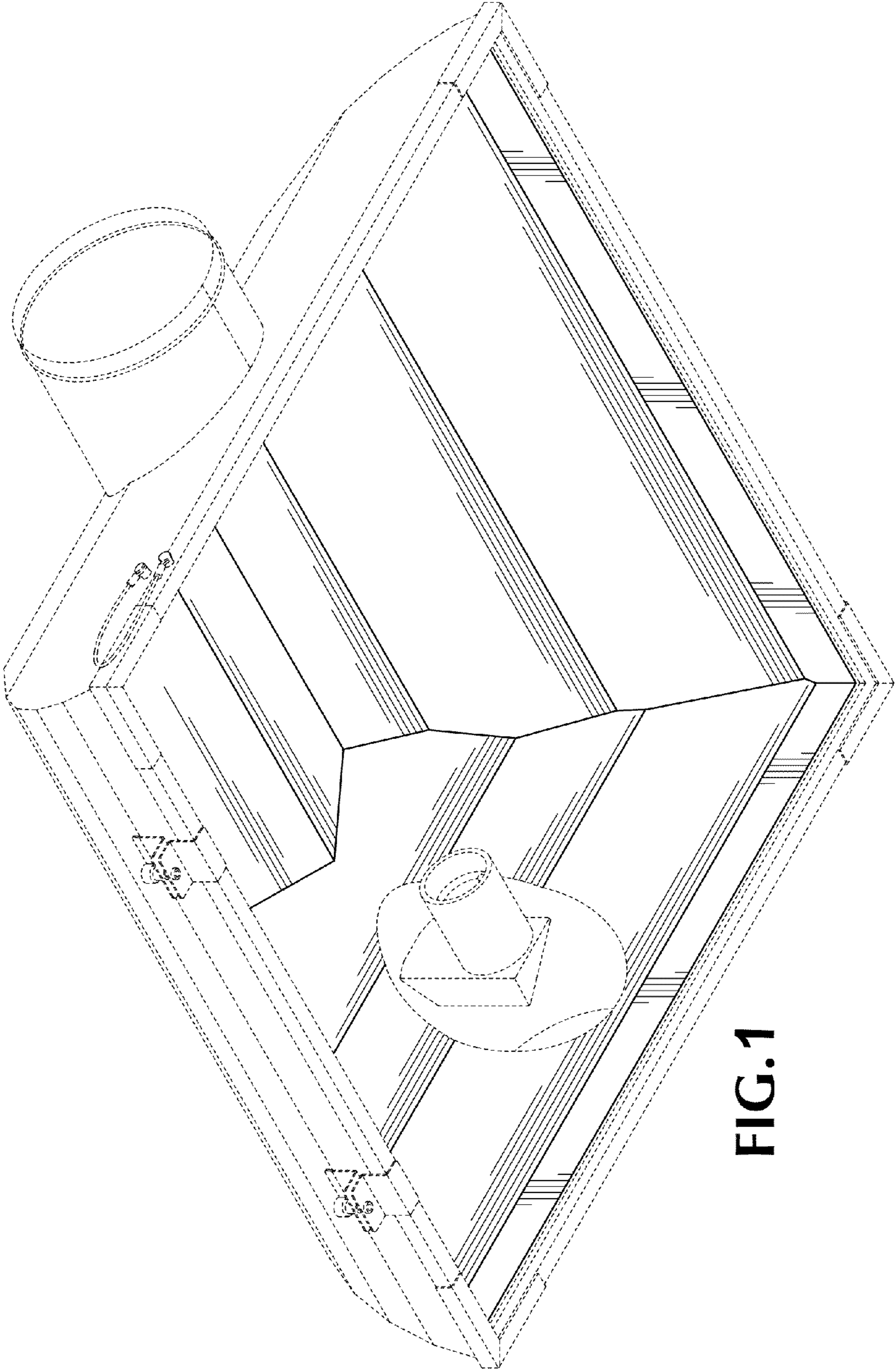


FIG.1

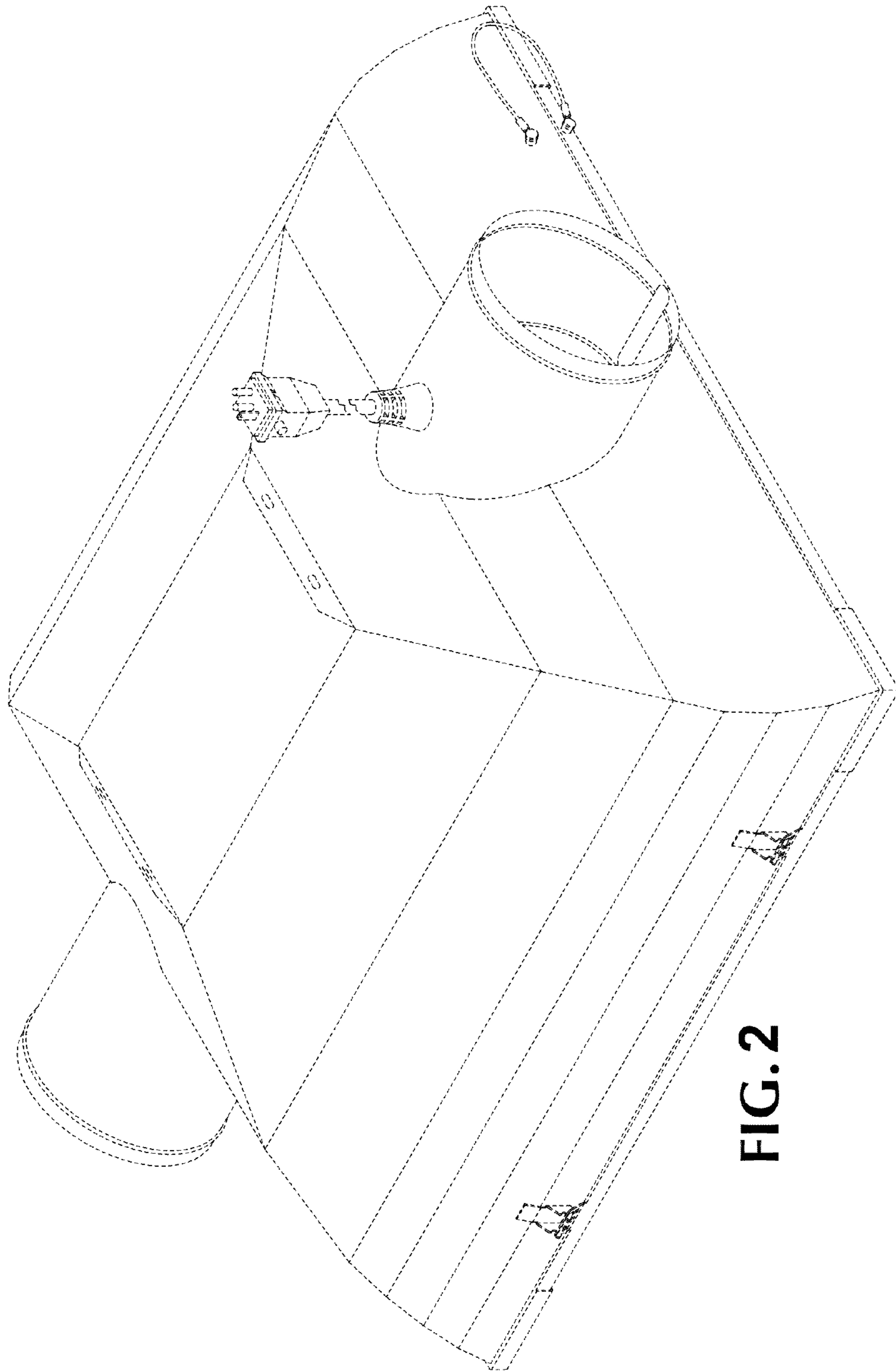


FIG. 2

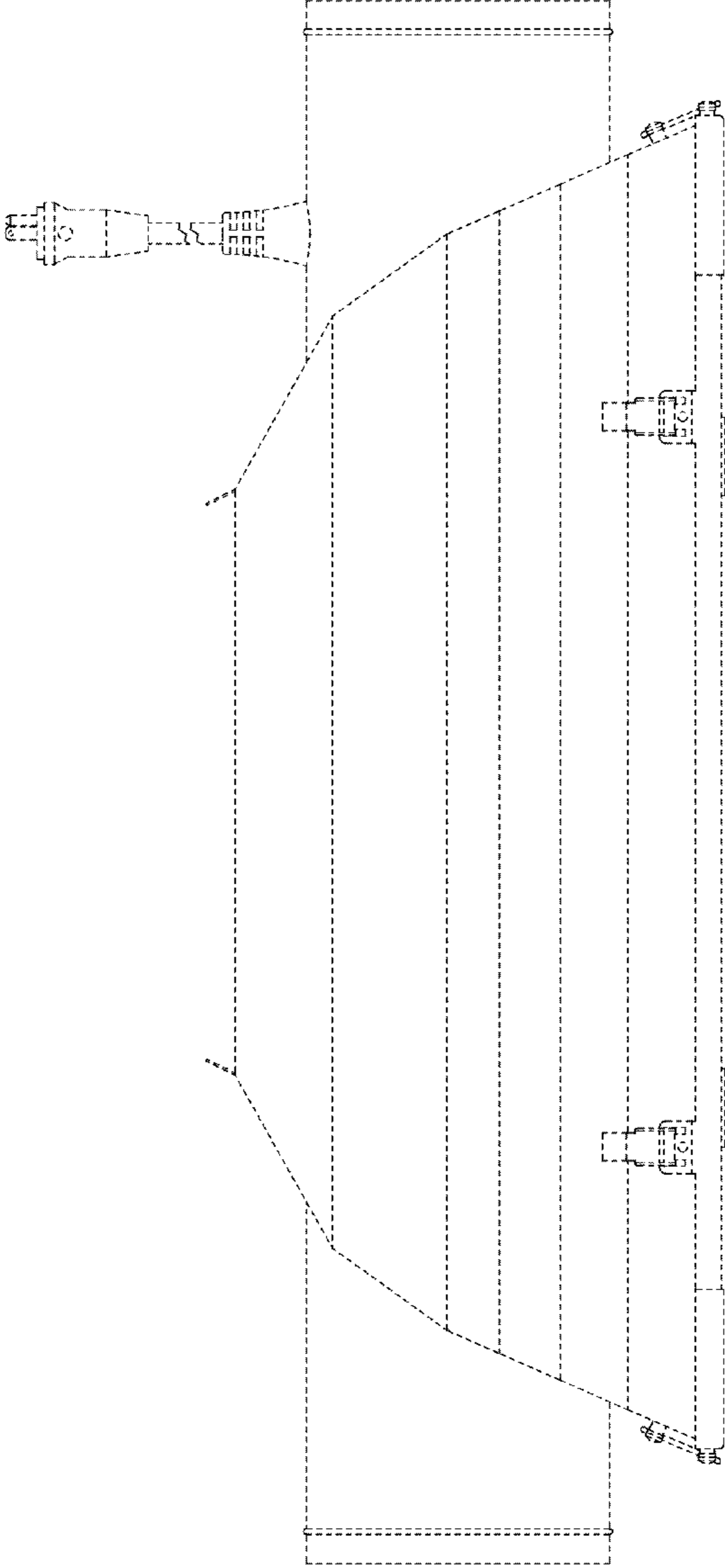


FIG. 3

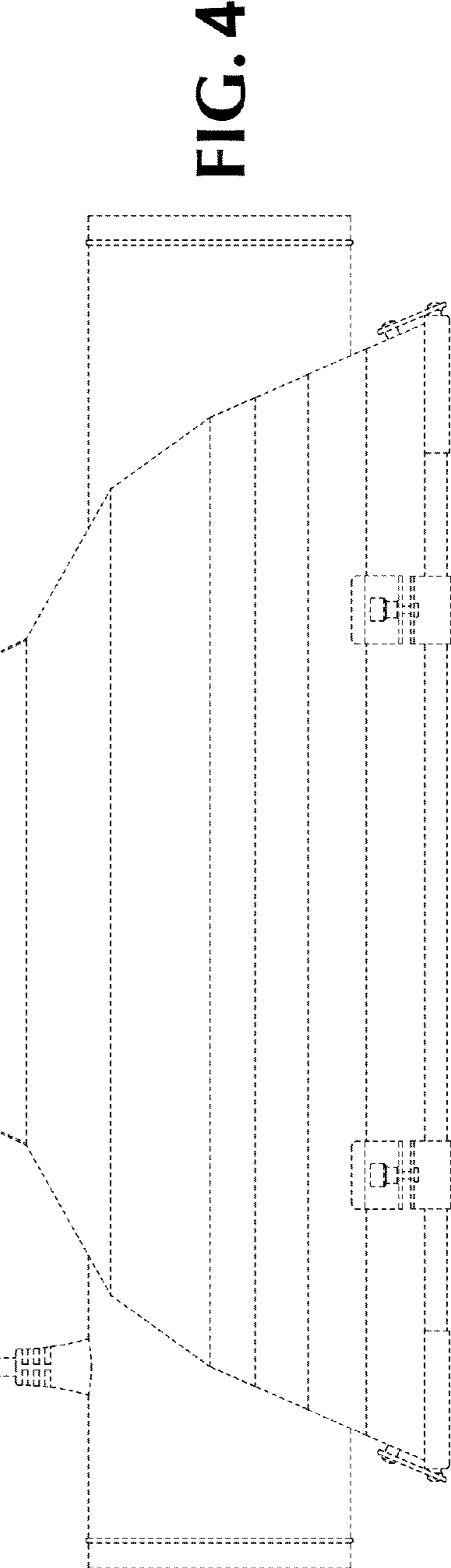


FIG. 4

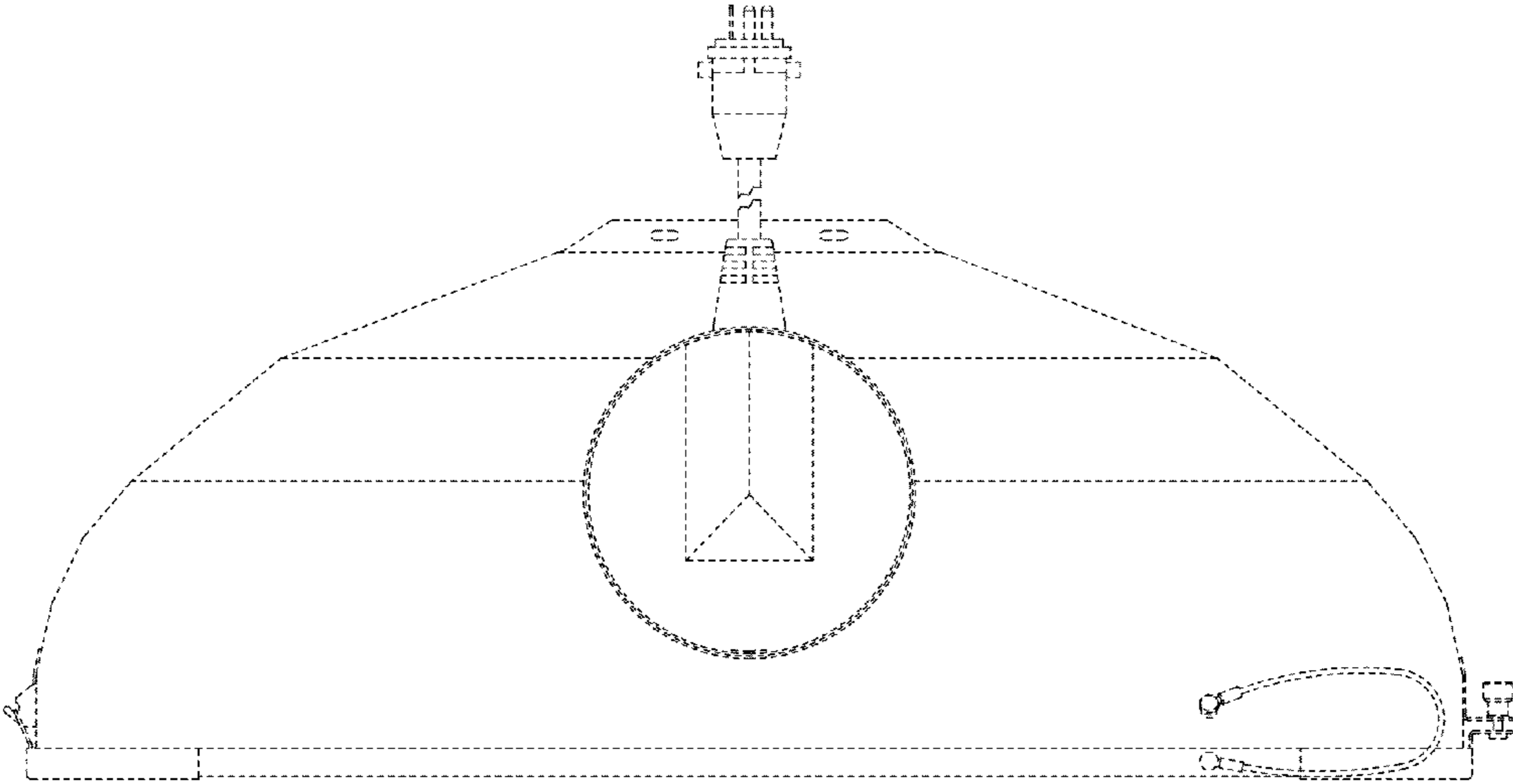


FIG. 5

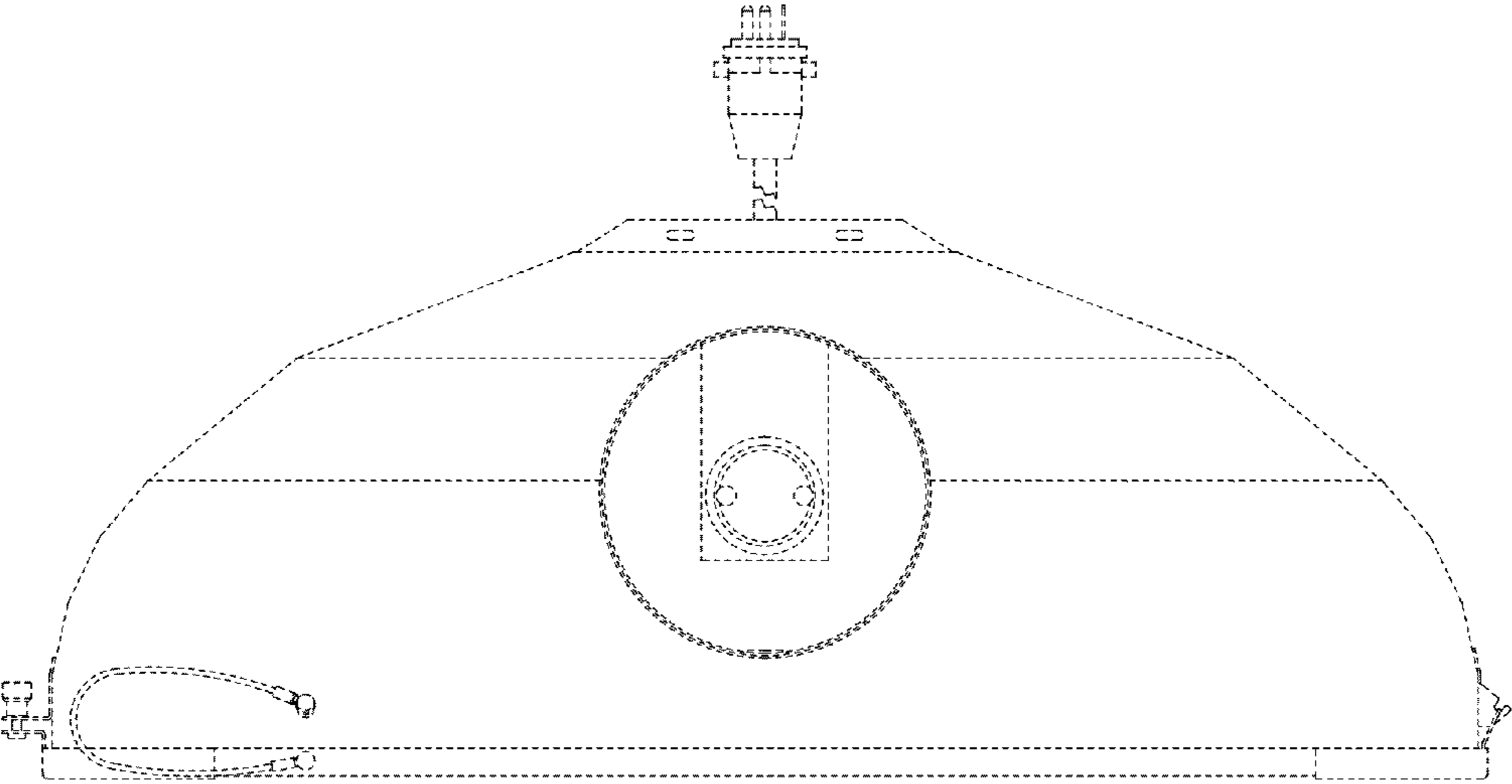


FIG. 6

FIG. 7

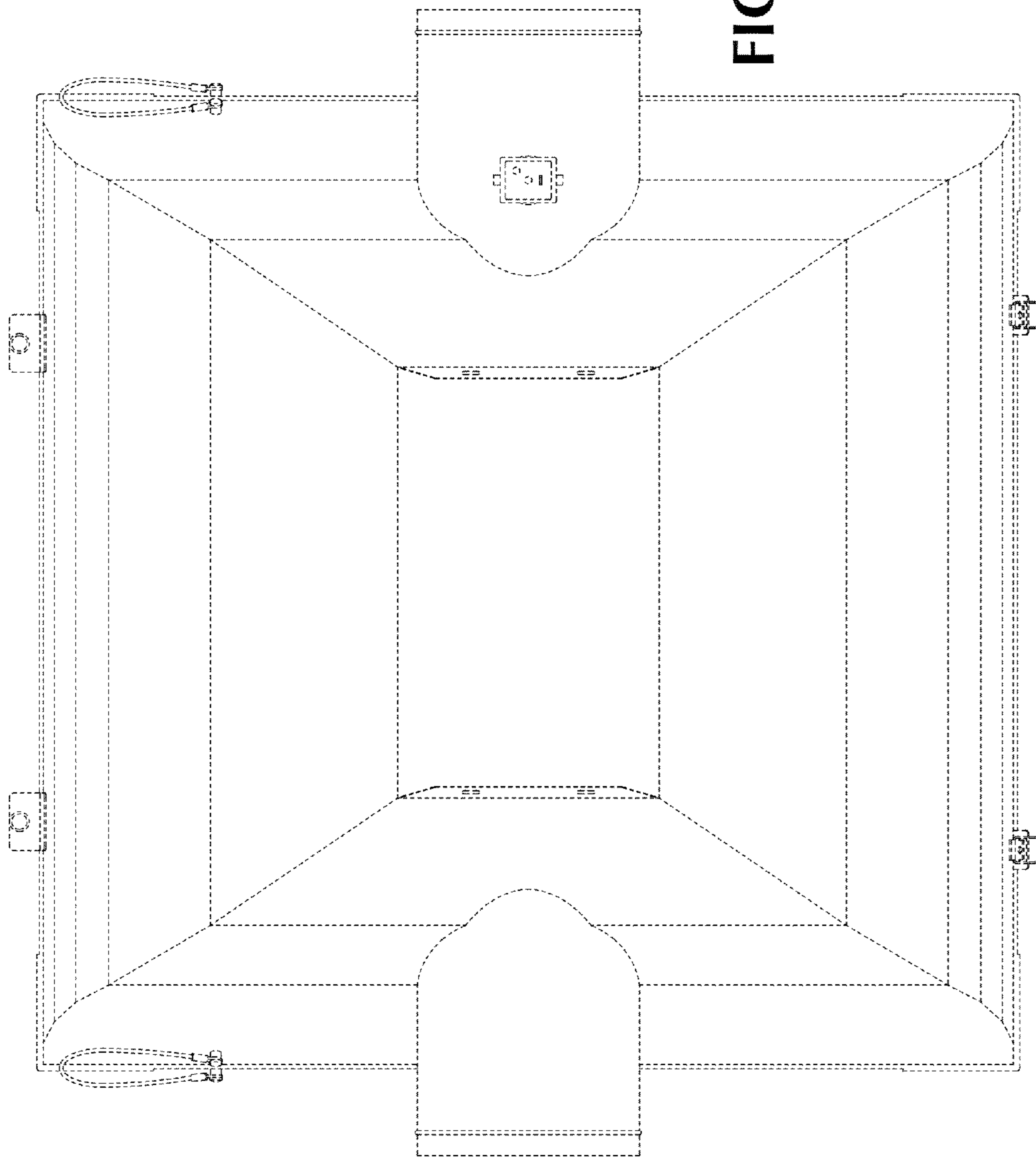


FIG. 8

