



US00D747537S

(12) **United States Design Patent**  
**Nordstrom et al.**

(10) **Patent No.:** **US D747,537 S**  
(45) **Date of Patent:** **\*\* Jan. 12, 2016**

(54) **LIGHT RETENTION HUB COMPONENT**

(71) Applicant: **Brite Ideas Decorating, Inc.**, Omaha, NE (US)

(72) Inventors: **Brian P. Nordstrom**, Omaha, NE (US);  
**Travis R. Freeman**, Omaha, NE (US)

(73) Assignee: **Brite Ideas Decorating, Inc.**, Omaha, NE (US)

(\*\*) Term: **14 Years**

(21) Appl. No.: **29/506,610**

(22) Filed: **Oct. 17, 2014**

(51) **LOC (10) Cl.** ..... **26-99**

(52) **U.S. Cl.**  
USPC ..... **D26/113**

(58) **Field of Classification Search**  
USPC ..... D10/18, 21, 24, 25, 27, 28, 46, 93, 104,  
D10/106, 113, 116.1, 121; D26/72, 118,  
D26/120, 124, 138  
CPC ..... A63H 30/04; G05G 2009/04748;  
H04B 1/1027; F21S 8/04; F21S 2/005;  
F21S 2/00; B29D 21/04; F21V 15/015;  
F21V 27/00; F21V 21/14; F21V 21/005;  
F21Y 2103/00

See application file for complete search history.

(56) **References Cited**

**U.S. PATENT DOCUMENTS**

D147,093 S \* 7/1947 Vorsanger ..... D26/83  
2,629,044 A \* 2/1953 Marfisi ..... G09F 13/00  
181/141

(Continued)

**OTHER PUBLICATIONS**

American dj kaos—TinEye, image post date May 11, 2015, site visited Oct. 10, 2015, (online), <<https://www.tineye.com/search/57565de1871af210df25123c4baeb2482dbc2e2e/?pluginver=>>>.\*

(Continued)

*Primary Examiner* — Kevin Rudzinski

*Assistant Examiner* — Sean D Lough

(74) *Attorney, Agent, or Firm* — Tyson B. Benson; Advent, LLP

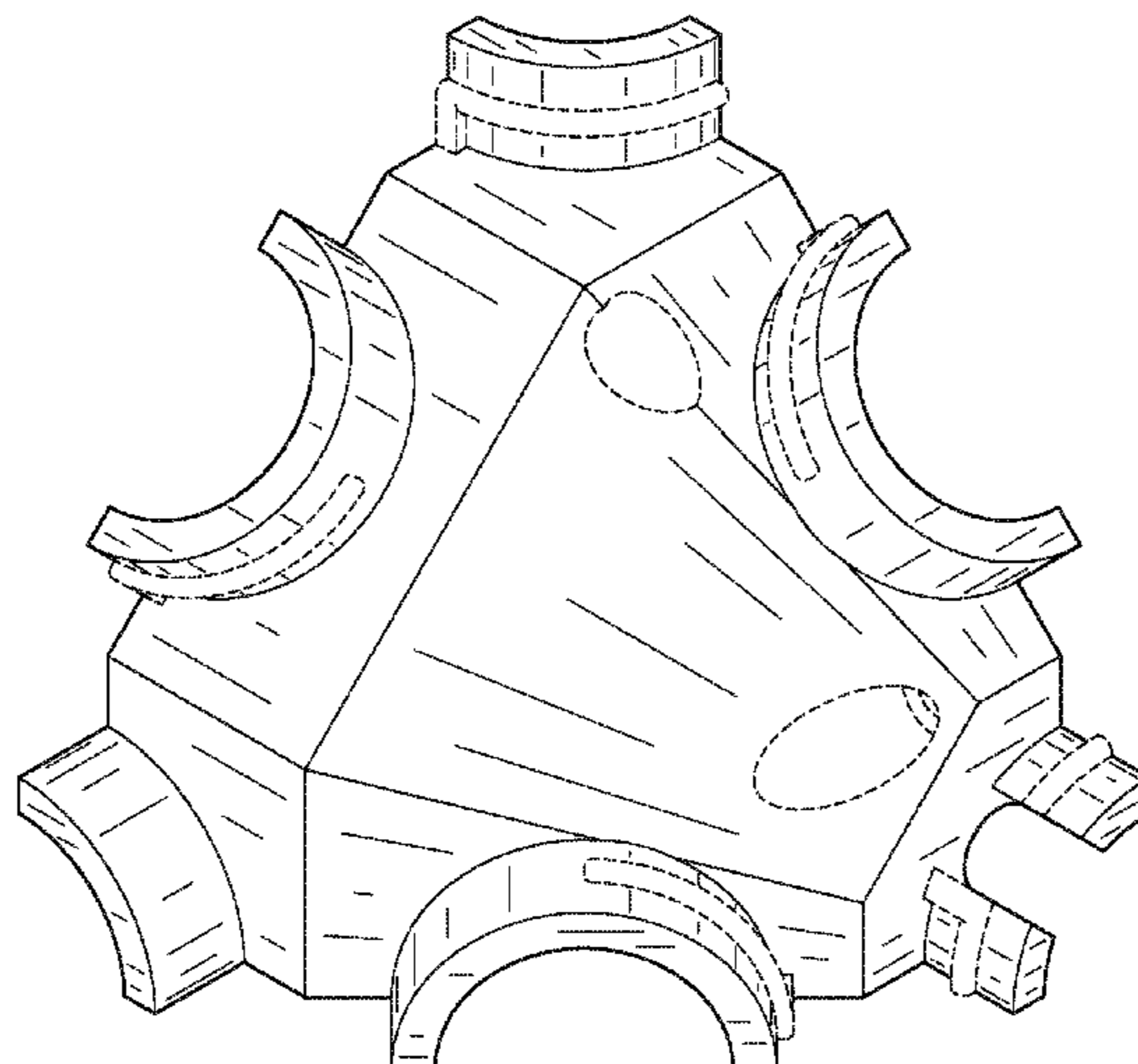
(57) **CLAIM**

The ornamental design for the light retention hub component, as shown and described.

**DESCRIPTION**

FIG. 1 is a front view of a light retention hub component. FIG. 2 is a back view of the light retention hub component of FIG. 1. FIG. 3 is a left side view of the light retention hub component of FIG. 1. FIG. 4 is a right side view of the light retention hub component of FIG. 1. FIG. 5 is a top plan view of the light retention hub component of FIG. 1. FIG. 6 is a bottom plan view of the light retention hub component of FIG. 1. FIG. 7 is a first isometric view of the light retention hub component of FIG. 1. FIG. 8 is a second isometric view of the light retention hub component of FIG. 1. FIG. 9 is a third isometric view of the light retention hub component of FIG. 1. FIG. 10 is a fourth isometric view of the light retention hub component of FIG. 1; and, FIG. 11 is a fifth isometric view of the light retention hub component shown in use within an environment consisting of seven other identical light retention hub components that form no part of the claimed design. Portions of FIGS. 1 through 11 are shown in broken lines illustrating portions of the article that form no part of the claimed design. FIG. 11 shows the light retention hub component in a position of use where the environment depicted in broken dot-dot-dash lines forms no part of the claimed design

**1 Claim, 11 Drawing Sheets**



(56)

## References Cited

## U.S. PATENT DOCUMENTS

- 3,018,362 A \* 1/1962 Joyce ..... F21S 8/065  
362/121
- D261,437 S \* 10/1981 Stekelberg ..... D26/87
- D262,743 S \* 1/1982 Jones ..... D26/131
- 4,477,866 A \* 10/1984 Goralnik ..... F21S 8/065  
362/249.07
- D315,801 S \* 3/1991 Luger ..... D26/24
- D317,510 S \* 6/1991 Castiglioni ..... D26/81
- D362,515 S \* 9/1995 Pickett ..... D26/142
- 5,537,111 A \* 7/1996 Martin ..... B64F 1/18  
315/364
- D373,132 S \* 8/1996 Baillie-Hamilton ..... D16/237
- 6,076,946 A \* 6/2000 Brouillette, III ..... F21V 15/01  
362/183
- D494,704 S \* 8/2004 Yu ..... D26/122
- D556,937 S \* 12/2007 Ly ..... D26/88
- D570,037 S \* 5/2008 Hartman ..... D26/138
- D575,235 S \* 8/2008 Zayas ..... D13/134
- D577,456 S \* 9/2008 Schwendinger ..... D26/72
- D580,093 S \* 11/2008 Conroy ..... D26/138
- D591,449 S \* 4/2009 Schuyler ..... D26/154
- D591,587 S \* 5/2009 Mason ..... D8/354
- D598,602 S \* 8/2009 Laarman ..... D26/84
- D613,247 S \* 4/2010 Anderson ..... D13/136
- D618,384 S \* 6/2010 Chen ..... D26/120
- D624,236 S \* 9/2010 Recore ..... D26/154
- D627,089 S \* 11/2010 Loibl ..... D26/38
- D636,736 S \* 4/2011 Otasu ..... D13/154
- 8,035,337 B1 \* 10/2011 Oakenfull ..... H01M 10/465  
320/101
- D652,982 S \* 1/2012 Chen ..... D26/118
- D654,215 S \* 2/2012 Neiman ..... D26/142
- D656,689 S \* 3/2012 Viola ..... D30/121
- D658,599 S \* 5/2012 Takahashi ..... D13/180
- D658,600 S \* 5/2012 Egawa ..... D13/180
- D661,265 S \* 6/2012 Kajiya ..... D13/182
- D661,834 S \* 6/2012 Lin ..... D26/138
- D666,767 S \* 9/2012 Huang ..... D26/142
- D667,172 S \* 9/2012 Baum ..... D29/120.1
- D670,843 S \* 11/2012 von Waldthausen ..... D26/37
- D672,004 S \* 12/2012 Stracener ..... D22/108
- D680,673 S \* 4/2013 Levine ..... D26/60
- D684,298 S \* 6/2013 Liang ..... D26/118
- D685,034 S \* 6/2013 Naum ..... D21/398
- D687,592 S \* 8/2013 Park ..... D26/118
- 8,523,392 B2 \* 9/2013 Hoover ..... F21L 4/00  
362/249.02
- D697,663 S \* 1/2014 Speier ..... D26/118
- D703,370 S \* 4/2014 Helms ..... D26/118
- D707,323 S \* 6/2014 Claeys ..... D22/108
- D709,643 S \* 7/2014 Kohler ..... D26/138
- D714,487 S \* 9/2014 Hartman ..... D26/120
- D715,988 S \* 10/2014 Rosen ..... D26/113
- D725,039 S \* 3/2015 Li ..... D13/134
- D729,430 S \* 5/2015 Poulton ..... D26/88
- D737,772 S \* 9/2015 Eustace ..... D13/134

## OTHER PUBLICATIONS

Night club lighting dj led light effect led dance floor light, image post date 2011, site visited Oct. 10, 2015, (online), <[http://www.alibaba.com/product-detail/Night-club-lighting-dj-led-light\\_60246122272.html](http://www.alibaba.com/product-detail/Night-club-lighting-dj-led-light_60246122272.html)>.\*

\* cited by examiner

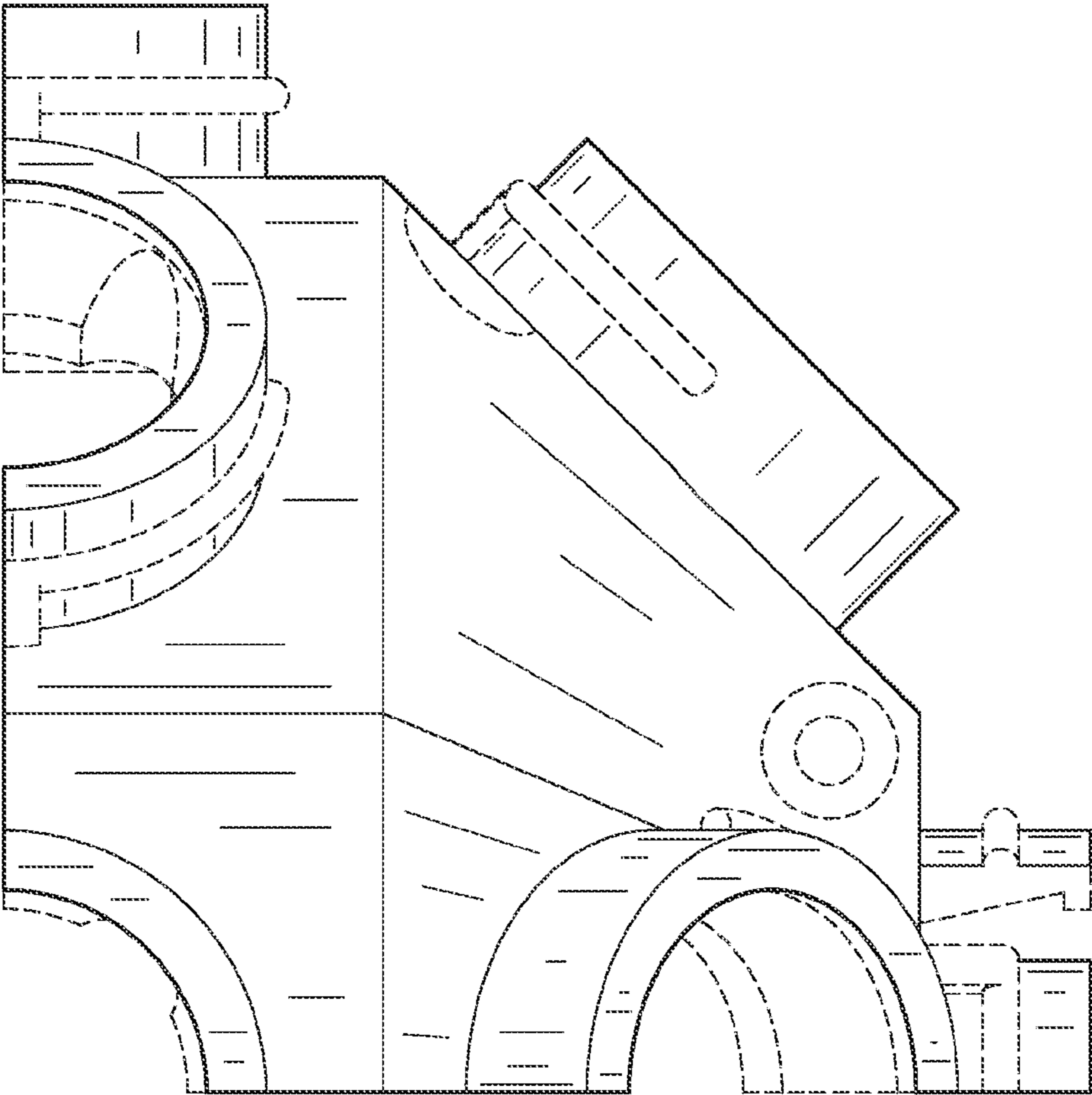
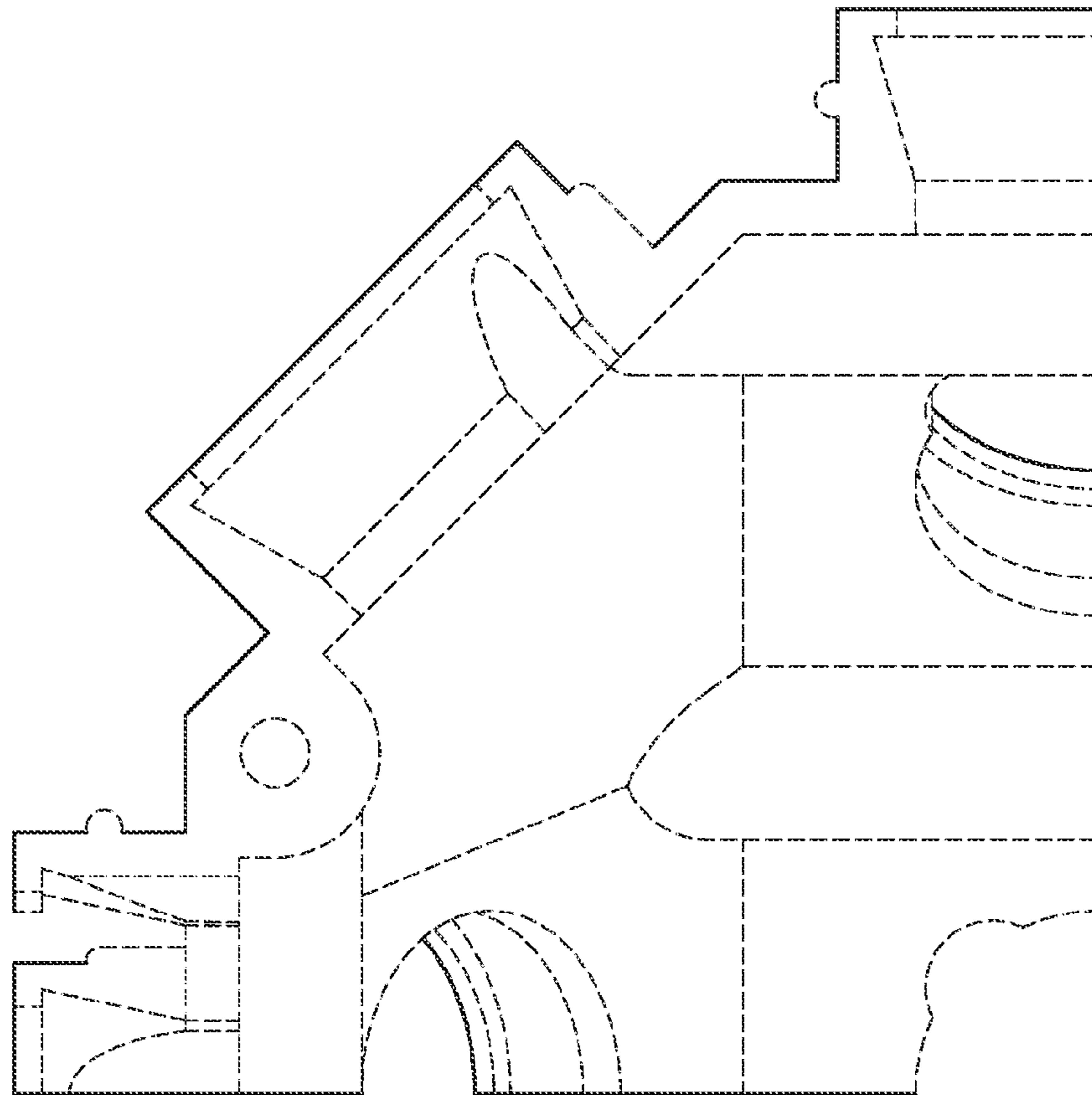


FIG. 1



**FIG. 2**

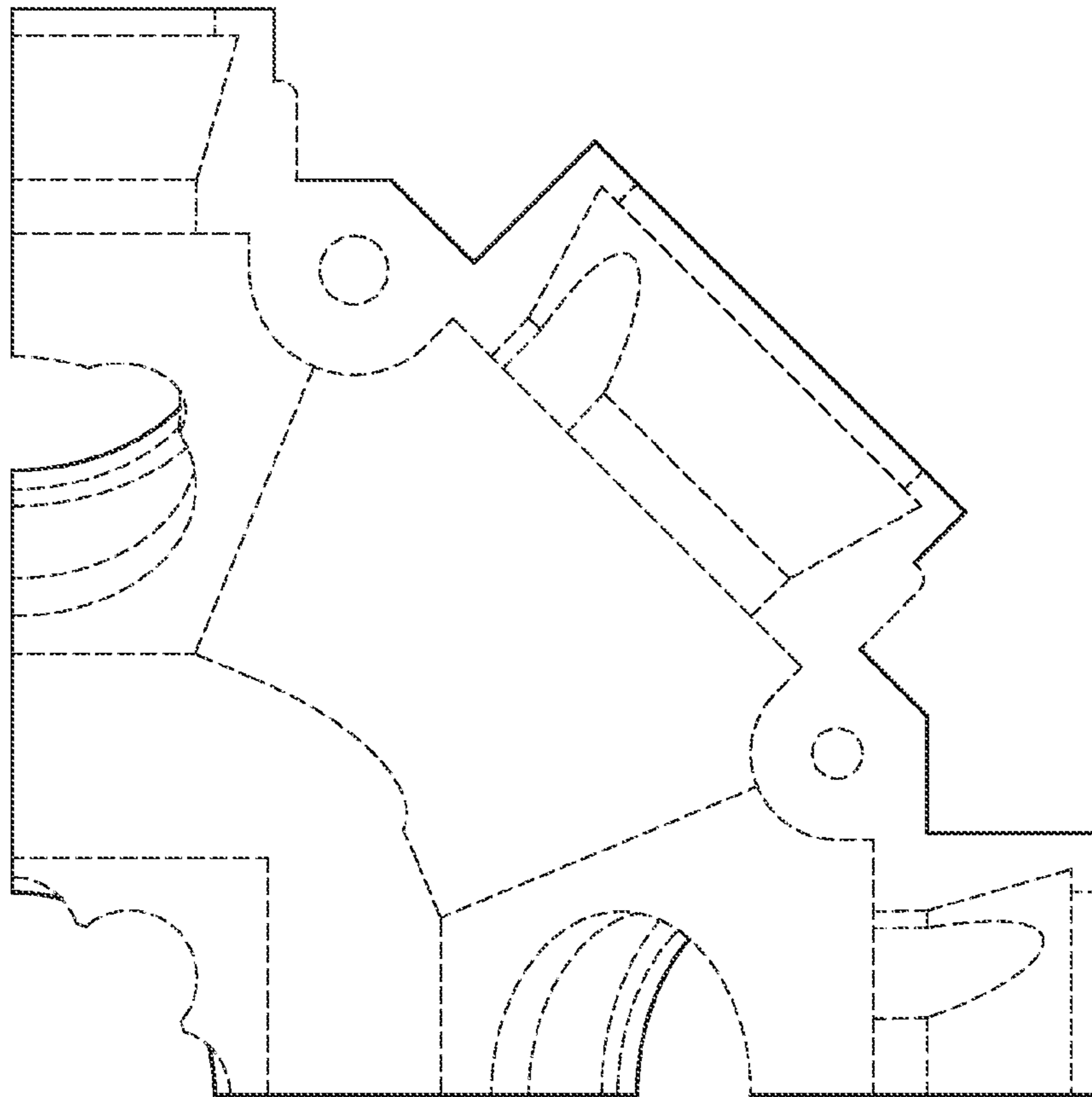


FIG. 3

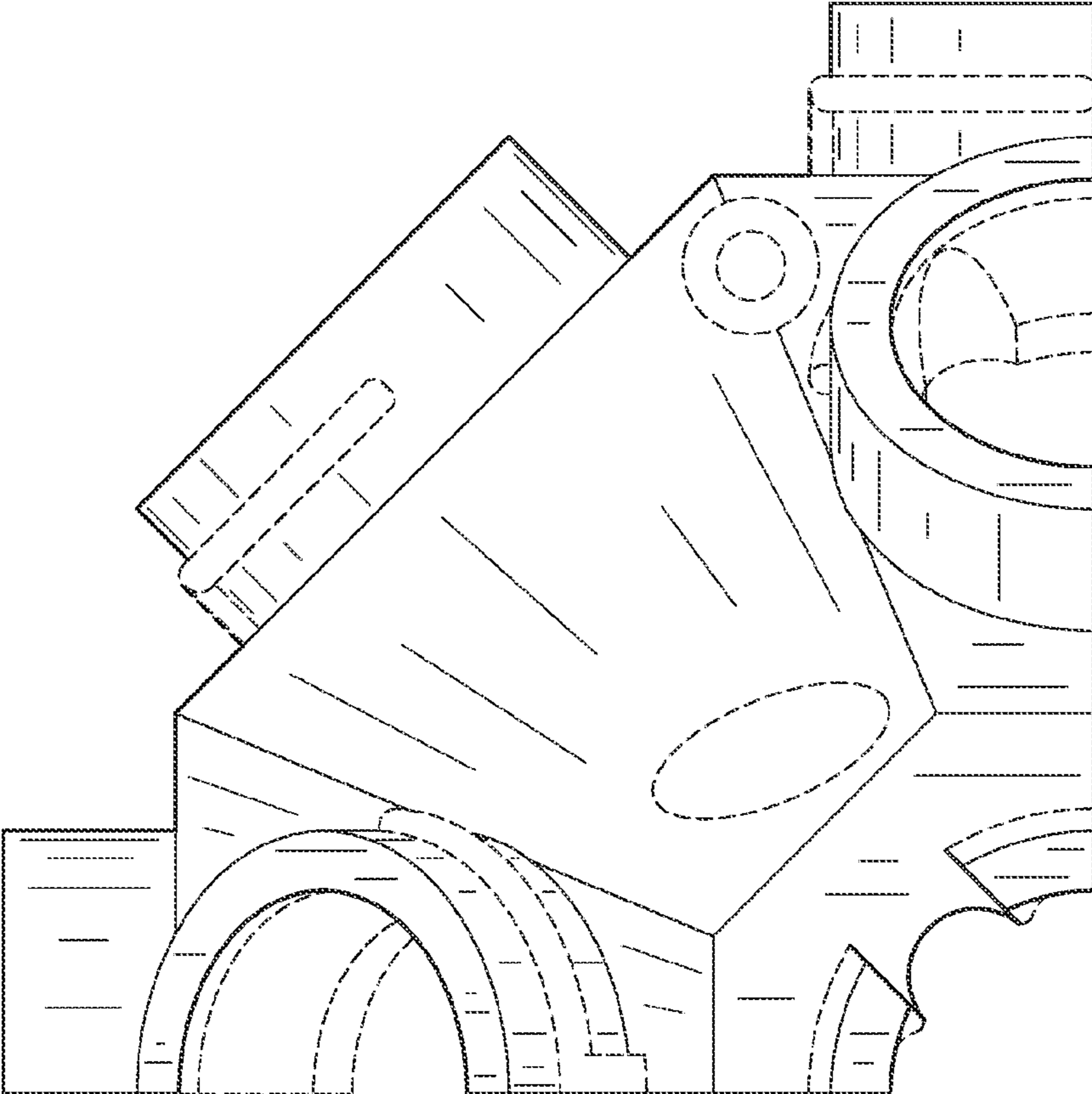


FIG. 4

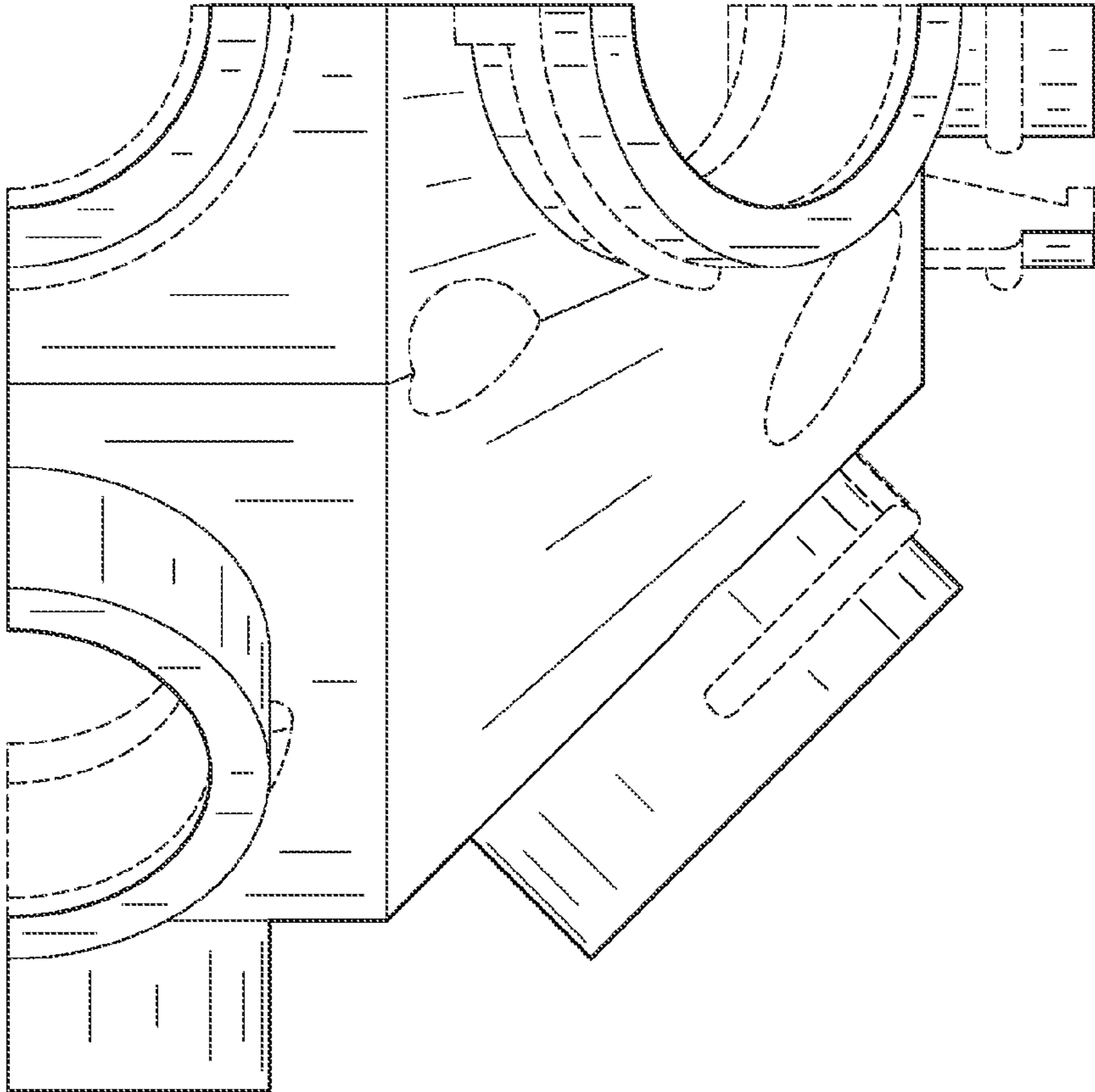


FIG. 5

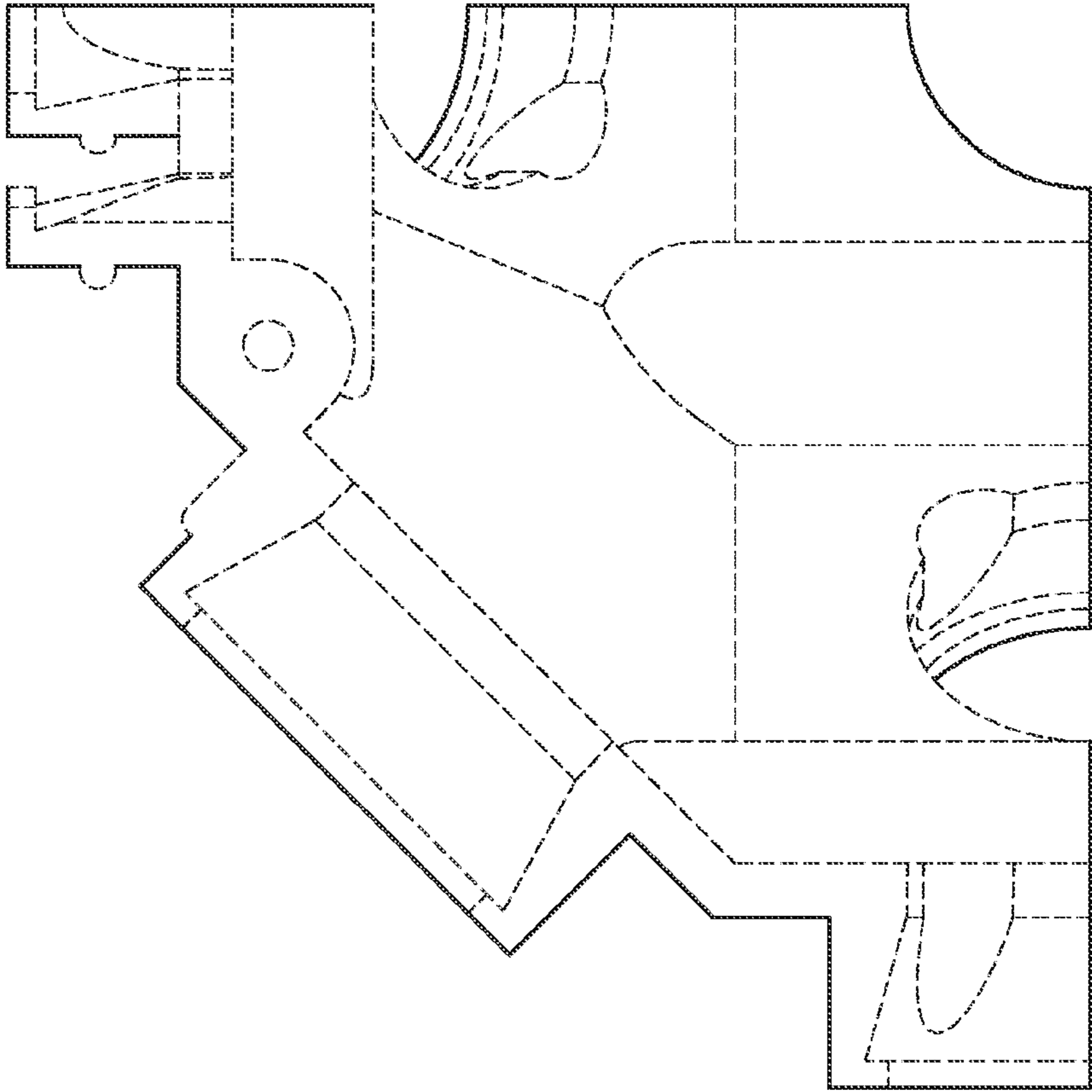


FIG. 6



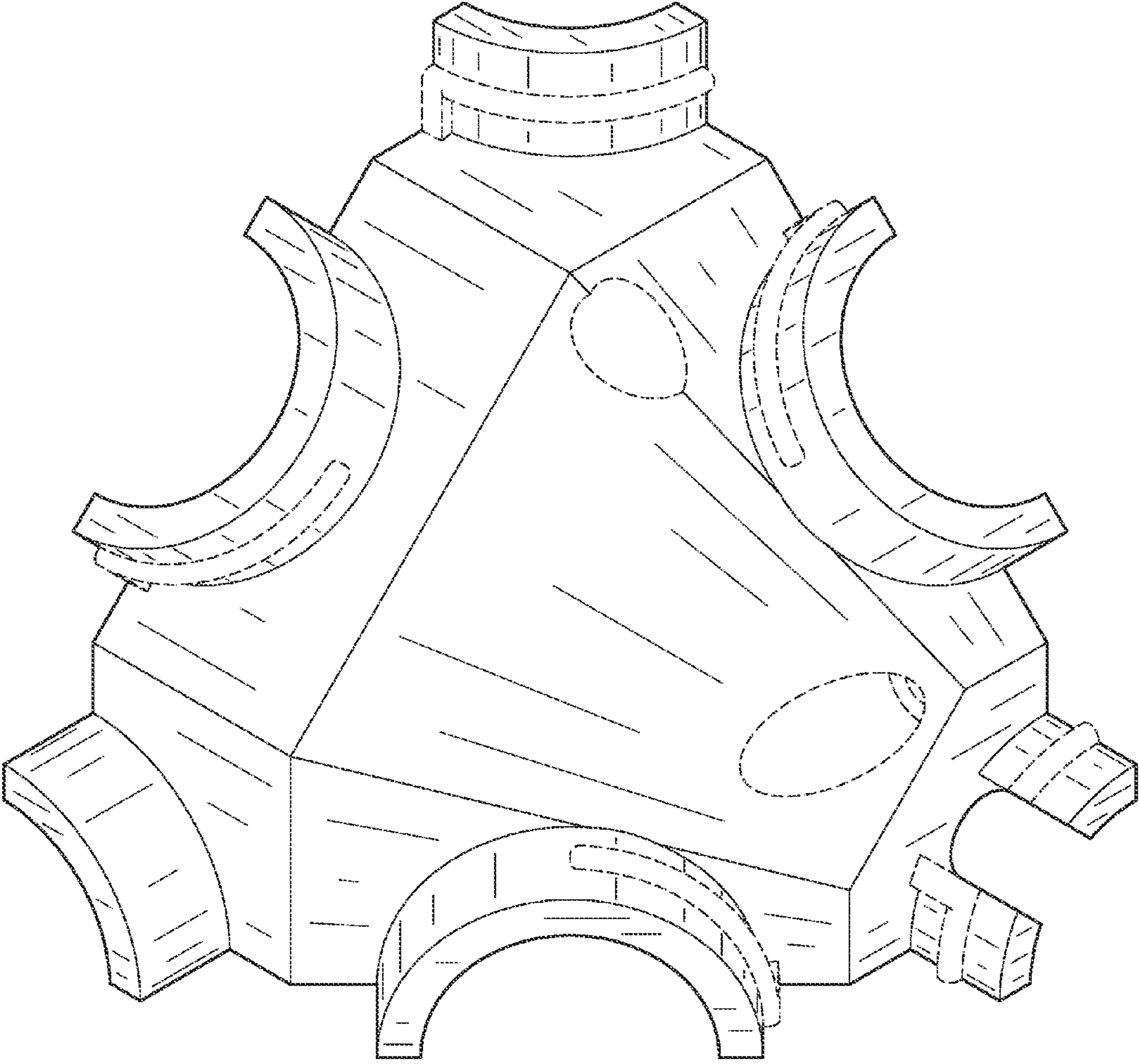


FIG. 7

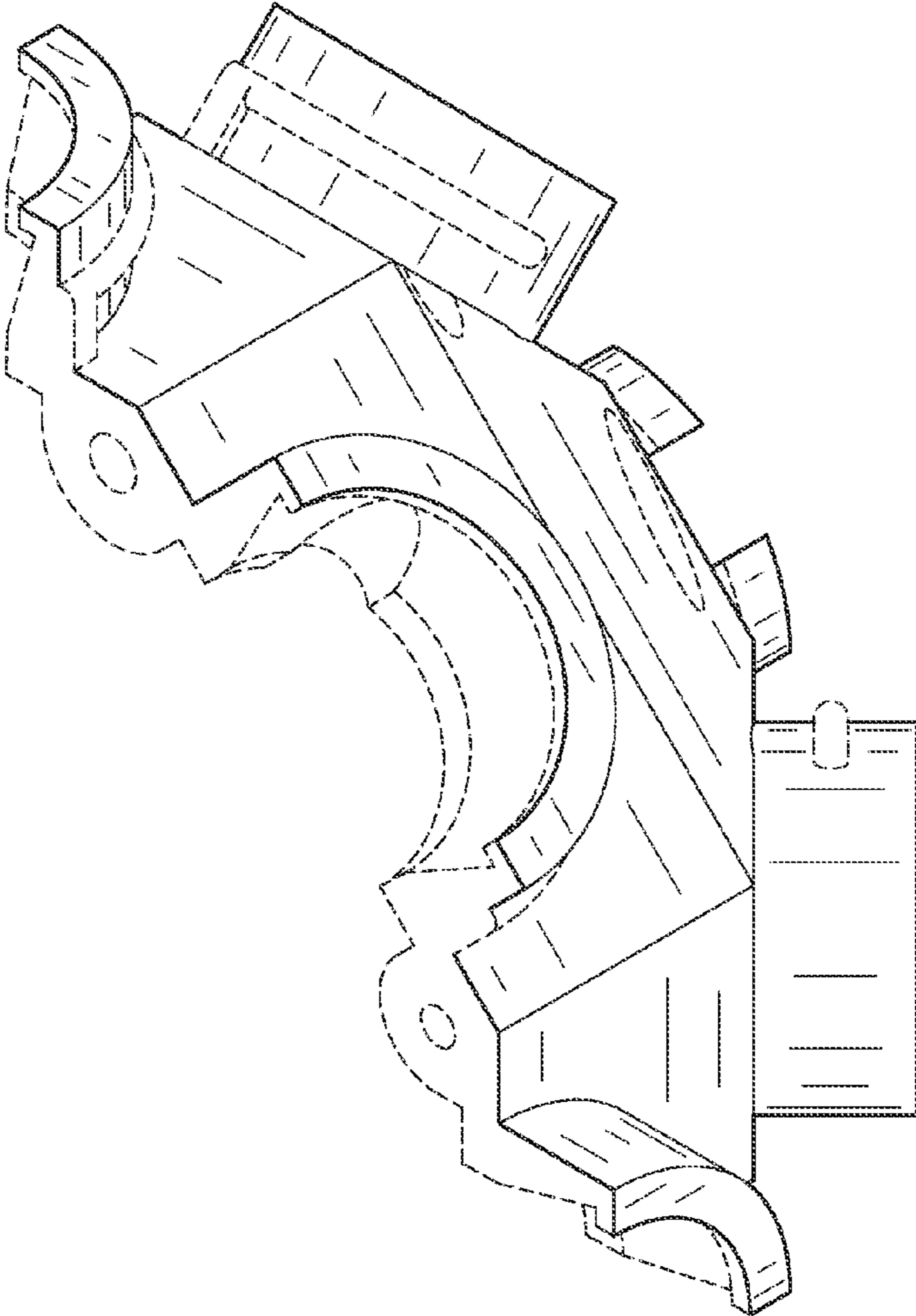
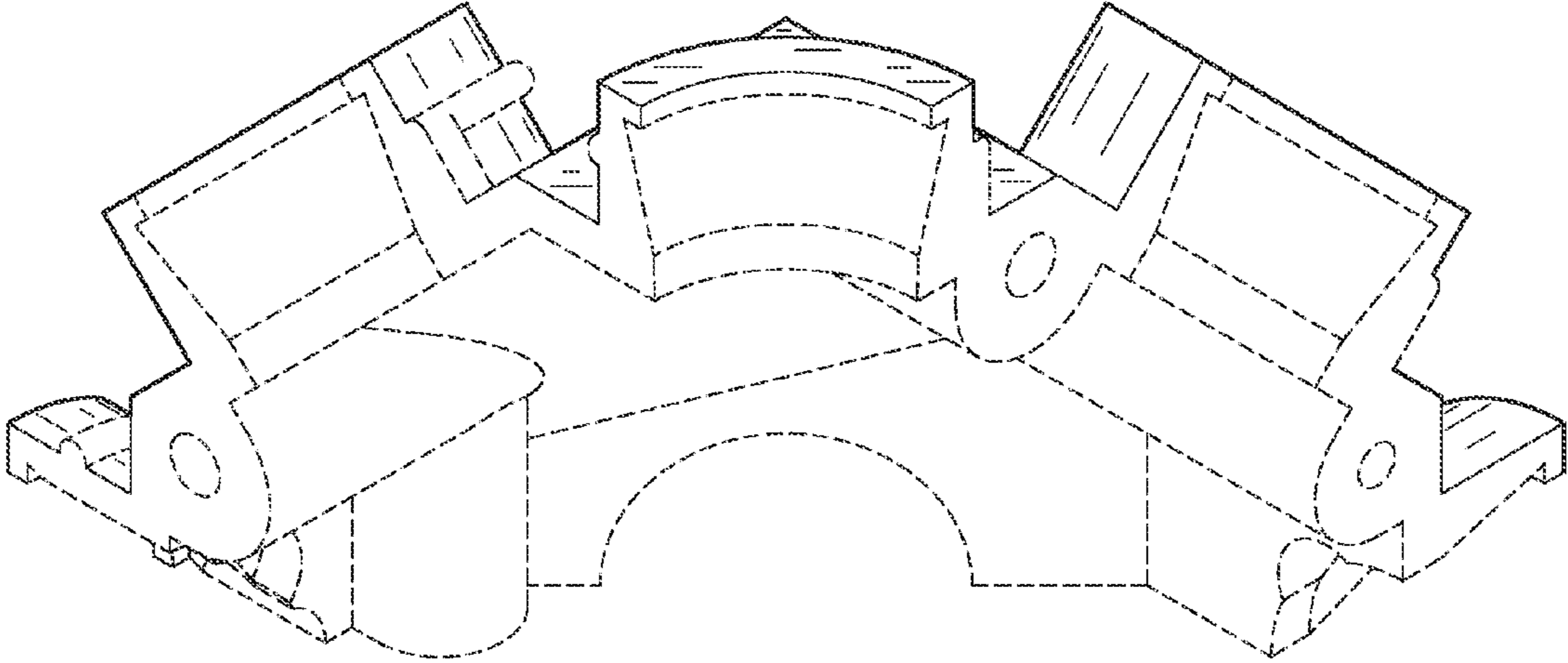


FIG. 8



**FIG. 9**

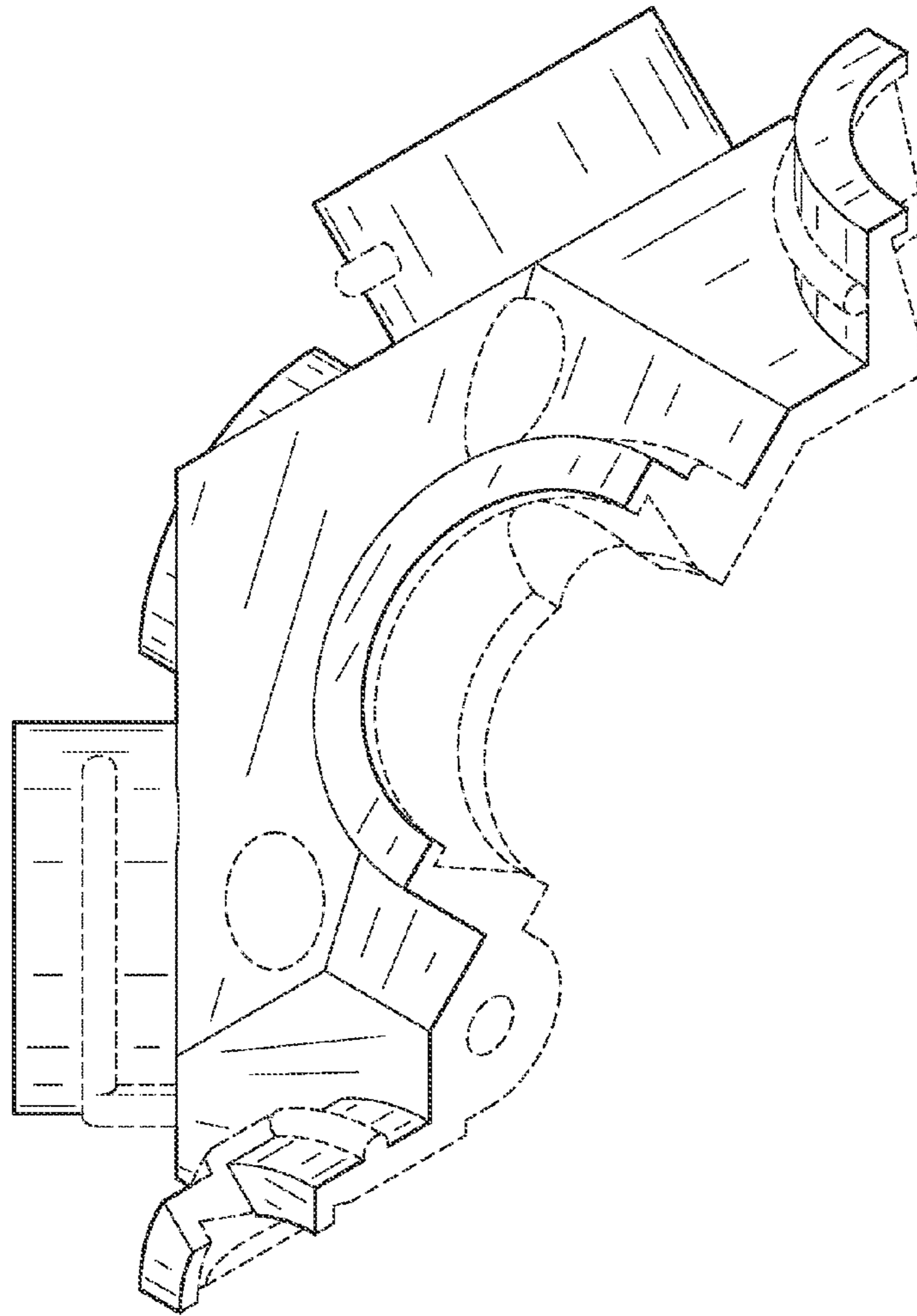


FIG. 10

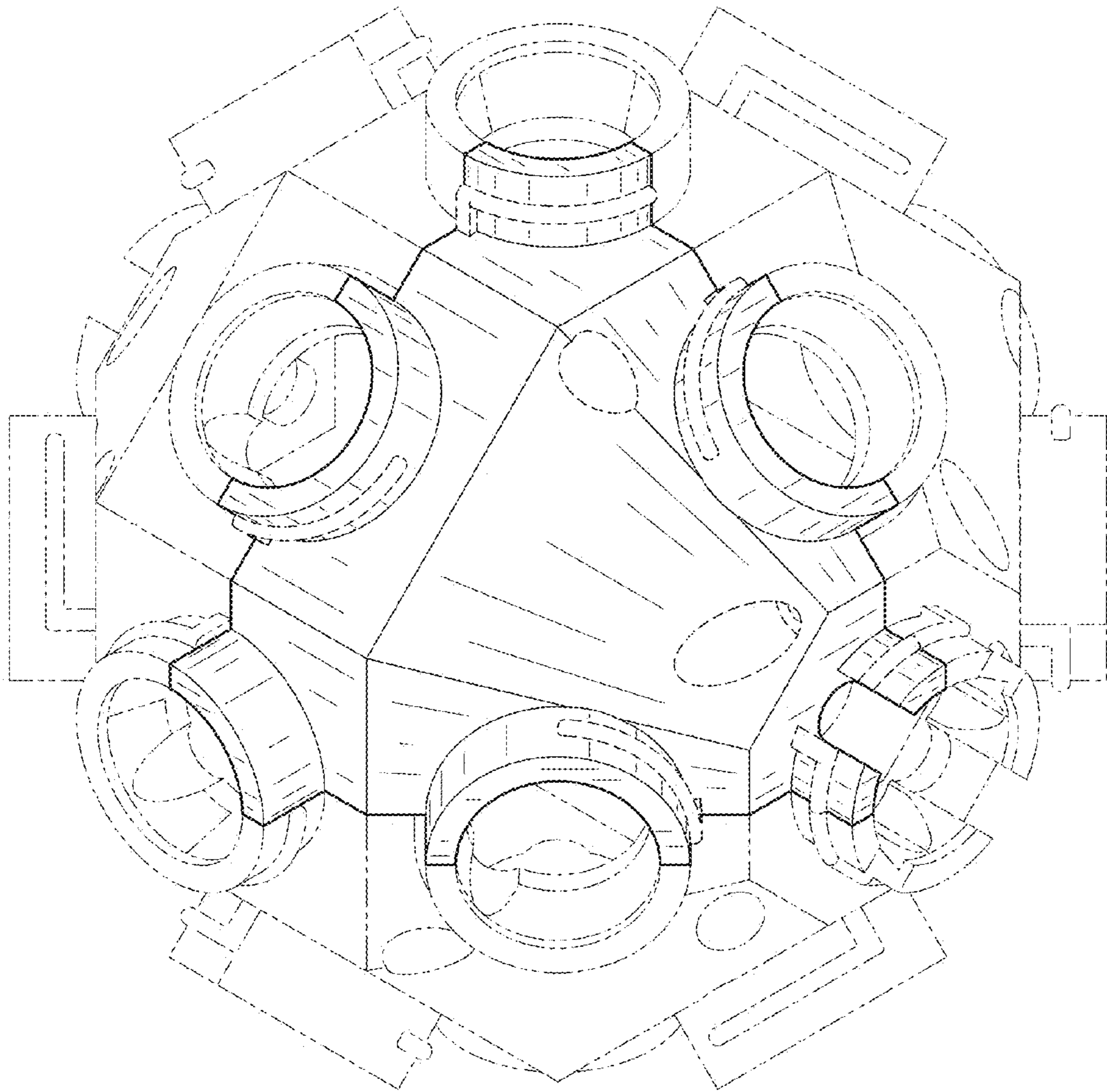


FIG. 11