



US00D747533S

(12) **United States Design Patent**
Bryant

(10) **Patent No.:** **US D747,533 S**
(45) **Date of Patent:** **** Jan. 12, 2016**

(54) **WALL PACK LIGHT FIXTURE WITH LENS**

(71) Applicant: **COOPER TECHNOLOGIES COMPANY**, Houston, TX (US)

(72) Inventor: **Christopher Michael Bryant**, Social Circle, GA (US)

(73) Assignee: **Cooper Technologies Company**, Houston, TX (US)

(**) Term: **15 Years**

(21) Appl. No.: **29/527,903**

(22) Filed: **May 22, 2015**

Related U.S. Application Data

(63) Continuation of application No. 29/501,819, filed on Sep. 9, 2014, now Pat. No. Des. 730,569, which is a continuation of application No. 29/481,305, filed on Feb. 4, 2014, now Pat. No. Des. 714,992, which is a continuation of application No. 29/436,981, filed on Nov. 12, 2012, now Pat. No. Des. 698,978.

(51) **LOC (10) Cl.** **26-03**

(52) **U.S. Cl.**
USPC **D26/85; D26/118**

(58) **Field of Classification Search**
USPC D26/72, 85, 87, 89, 92, 118, 120
CPC F21S 8/03; F21S 8/033; F21S 8/036;
F21S 8/037; F21S 8/043; F21S 8/06; F21V
21/02; F21V 33/006; F21W 2131/10; F21W
2131/107; F21W 2131/1005
See application file for complete search history.

(56) **References Cited**

U.S. PATENT DOCUMENTS

D135,107 S * 2/1943 Szalla D26/85
2,732,484 A 1/1956 Lipscomb
3,047,716 A 7/1962 Hoxie et al.

D203,060 S 11/1965 Schaefer
3,263,071 A 7/1966 Fabbri
D228,667 S 10/1973 Anderson, Jr.
D248,184 S 6/1978 Roberts
D285,258 S 8/1986 Hamasaki
D287,646 S 1/1987 Ayukawa
D289,087 S 3/1987 Kobata
D380,853 S 7/1997 Johnson
D415,305 S 10/1999 Putman
D421,816 S 3/2000 Gongora et al.
D456,932 S 5/2002 Crosby
D465,050 S 10/2002 Crelin
D499,834 S 12/2004 Yu et al.
D527,134 S 8/2006 Bagen

(Continued)

OTHER PUBLICATIONS

Lighting Science; Wallpak ; product specification sheet; Nov. 2010.

(Continued)

Primary Examiner — Clare E Heflin

(74) *Attorney, Agent, or Firm* — King & Spalding LLP

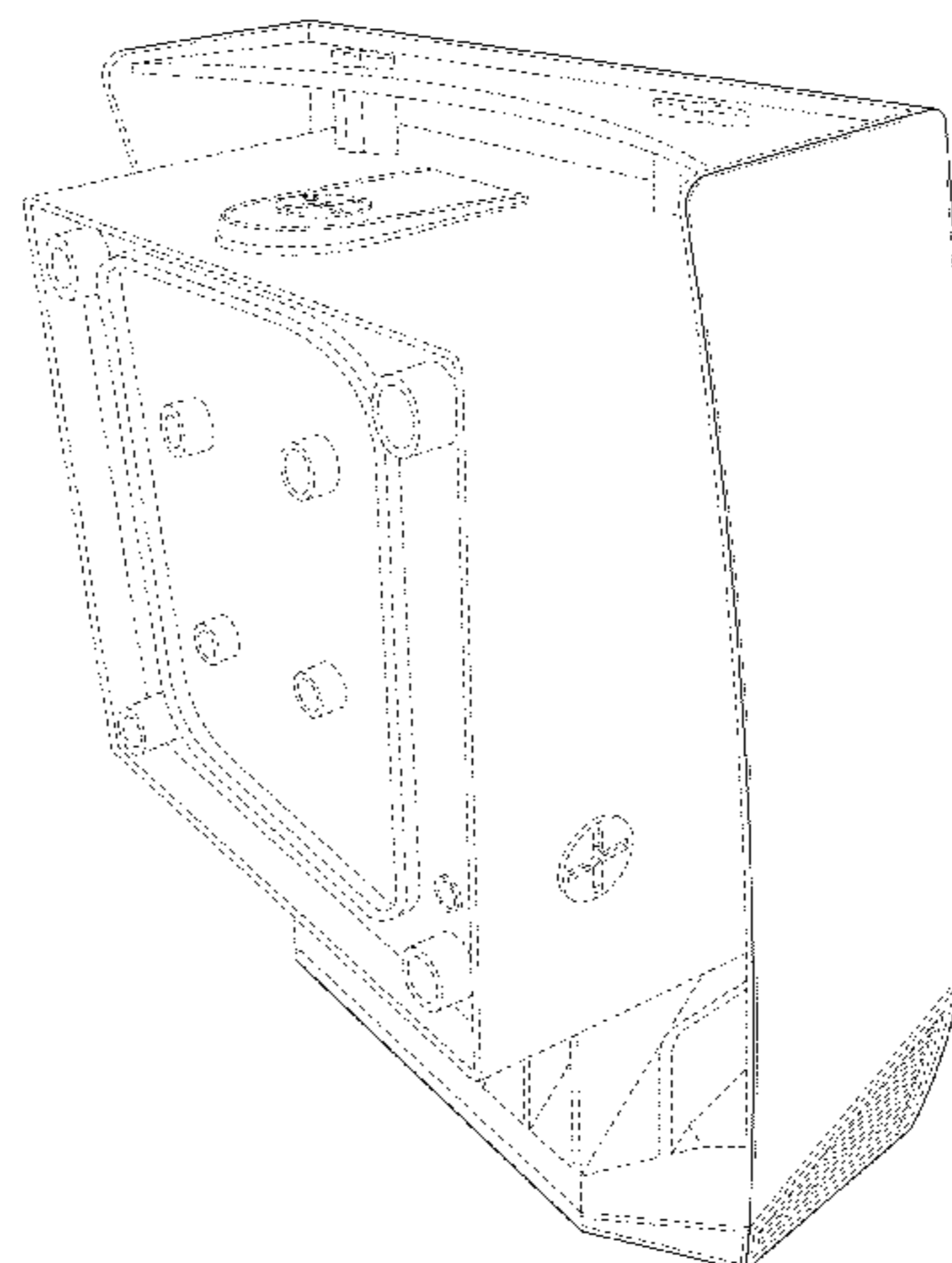
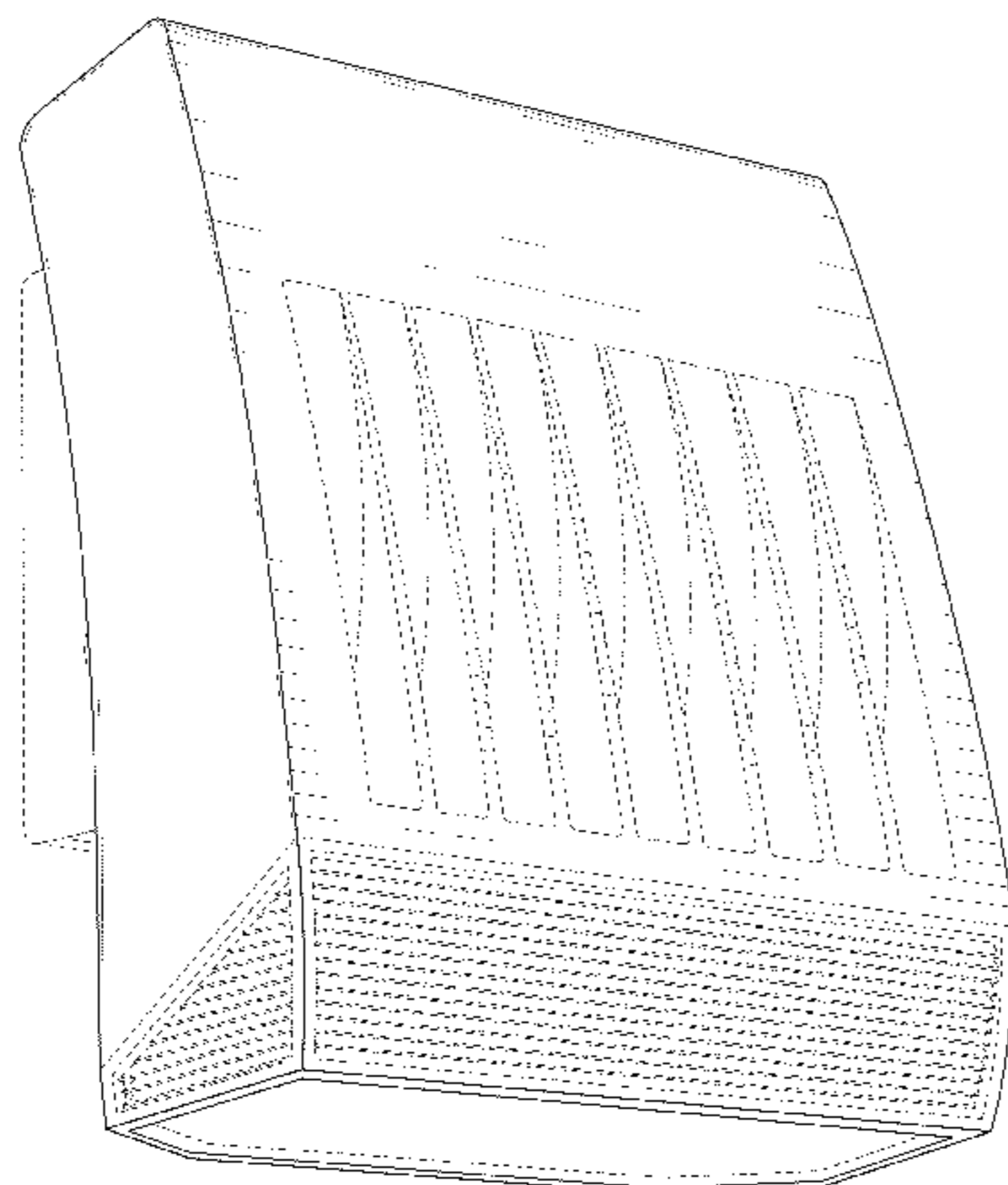
(57) **CLAIM**

The ornamental design for a wall pack light fixture with lens, as shown and described.

DESCRIPTION

FIG. 1 is a perspective view of a wall pack light fixture with lens, showing my new design;
FIG. 2 is a front view thereof;
FIG. 3 is a left side view thereof;
FIG. 4 is a right side view thereof;
FIG. 5 is a top plan view thereof;
FIG. 6 is a bottom plan view thereof; and,
FIG. 7 is a rear perspective view thereof.
The broken lines shown represent unclaimed subject matter and form no part of the claimed design.

1 Claim, 6 Drawing Sheets



(56)

References Cited

U.S. PATENT DOCUMENTS

D544,991 S 6/2007 Guercio
 D552,292 S * 10/2007 Martineau D10/111
 D553,789 S 10/2007 Akinrele et al.
 D562,491 S 2/2008 Dicola
 D574,995 S 8/2008 Boyer
 D577,146 S 9/2008 Haugaard et al.
 D579,141 S 10/2008 Guercio
 D579,144 S 10/2008 Wnek et al.
 D590,088 S 4/2009 Dworschak
 D590,983 S 4/2009 Sabernig
 D595,447 S 6/2009 Purcell
 D608,040 S 1/2010 Guercio
 D609,387 S 2/2010 Compton
 D610,296 S 2/2010 Boissevain
 D612,975 S 3/2010 Guercio et al.
 D617,491 S 6/2010 Dordoni
 D626,271 S 10/2010 Verelst
 D634,873 S 3/2011 Guercio
 D634,878 S 3/2011 Guercio et al.
 D643,147 S 8/2011 Guercio et al.
 D643,571 S 8/2011 Chen
 D644,370 S 8/2011 Lickiss
 D647,662 S 10/2011 Vereist et al.
 D650,112 S 12/2011 Bryant
 D658,803 S 5/2012 Maxik et al.

D659,895 S 5/2012 Maxik et al.
 D668,810 S * 10/2012 Bryant D26/85
 D678,596 S 3/2013 Bryant
 D688,406 S * 8/2013 Goldy D26/85
 D691,320 S 10/2013 Guercio et al.
 D695,445 S 12/2013 Panchisin et al.
 D698,978 S * 2/2014 Bryant D26/85
 D698,986 S 2/2014 Reynolds
 D699,386 S 2/2014 Park et al.
 D699,887 S 2/2014 Chen
 D707,385 S 6/2014 Wardenburg et al.
 D714,992 S 10/2014 Bryant
 D716,990 S * 11/2014 Yu D26/72
 D719,699 S * 12/2014 Bryant D26/82
 D728,142 S * 4/2015 Dungan D26/85
 D730,569 S * 5/2015 Bryant D26/118
 2012/0268952 A1 * 10/2012 Newton B23P 11/00
 362/368

OTHER PUBLICATIONS

Press Release, RAB Lighting, Oct. 12, 2010, RAB LPACK13 Makes the Switch to LED Even Easier.
 Press Release, RAB Lighting, Feb. 9, 2010, RAB Lighting launches 20W LED Wallpack for out-door use.
 Press Release, RAB Lighting, Dec. 23, 2009, RAB Lighting Introduces new LED Wallpack.

* cited by examiner

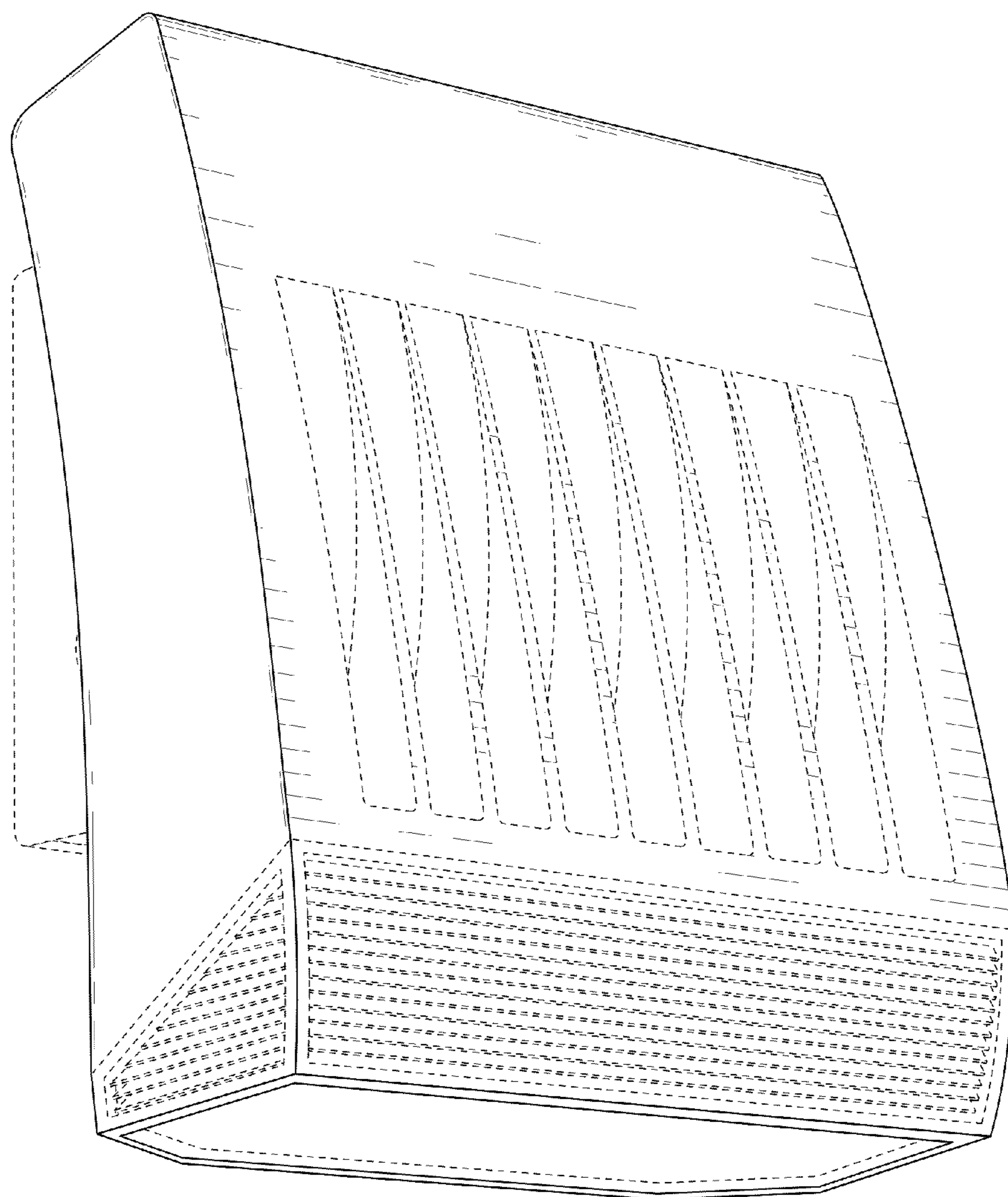


FIG. 1

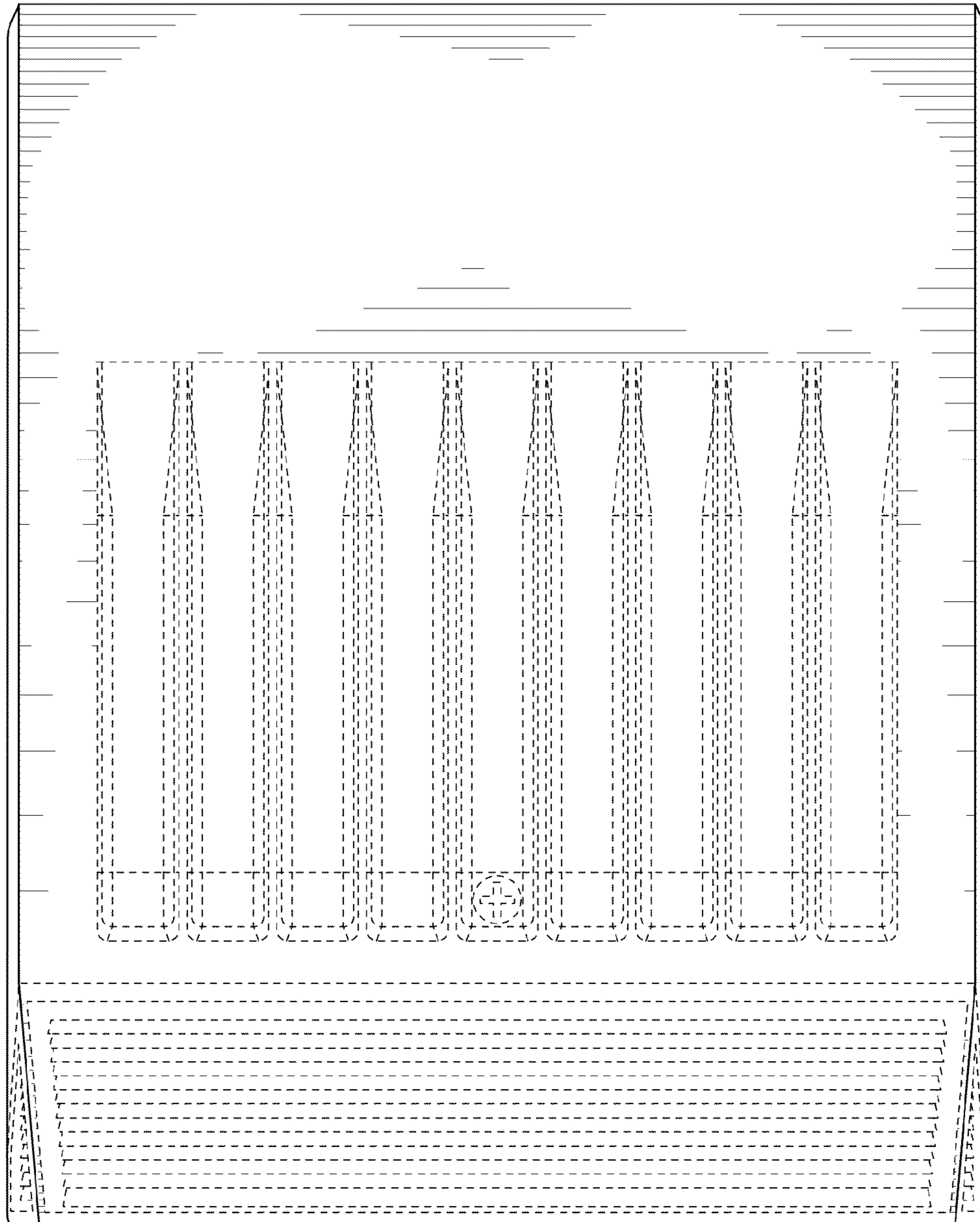


FIG. 2

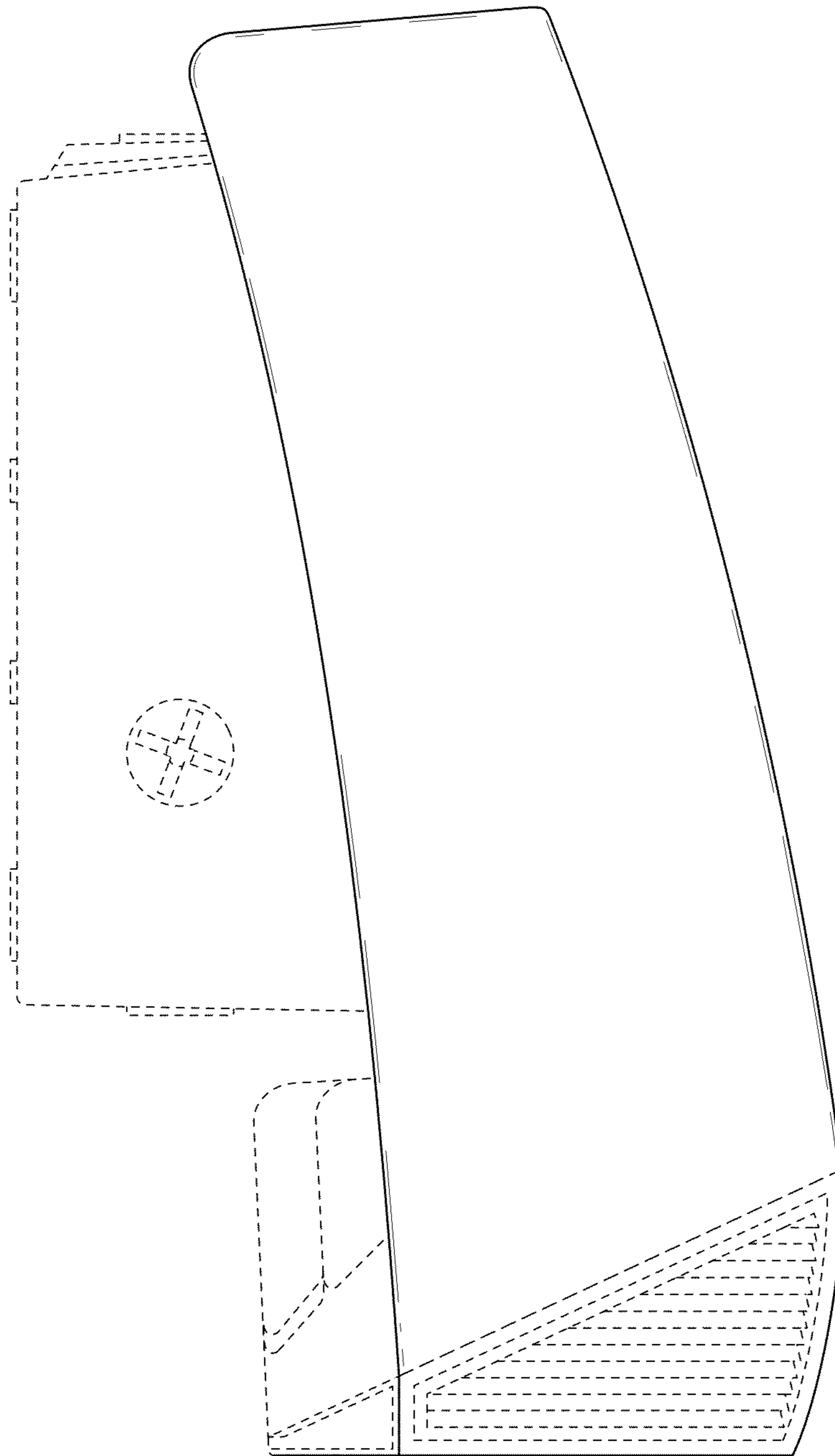


FIG. 3

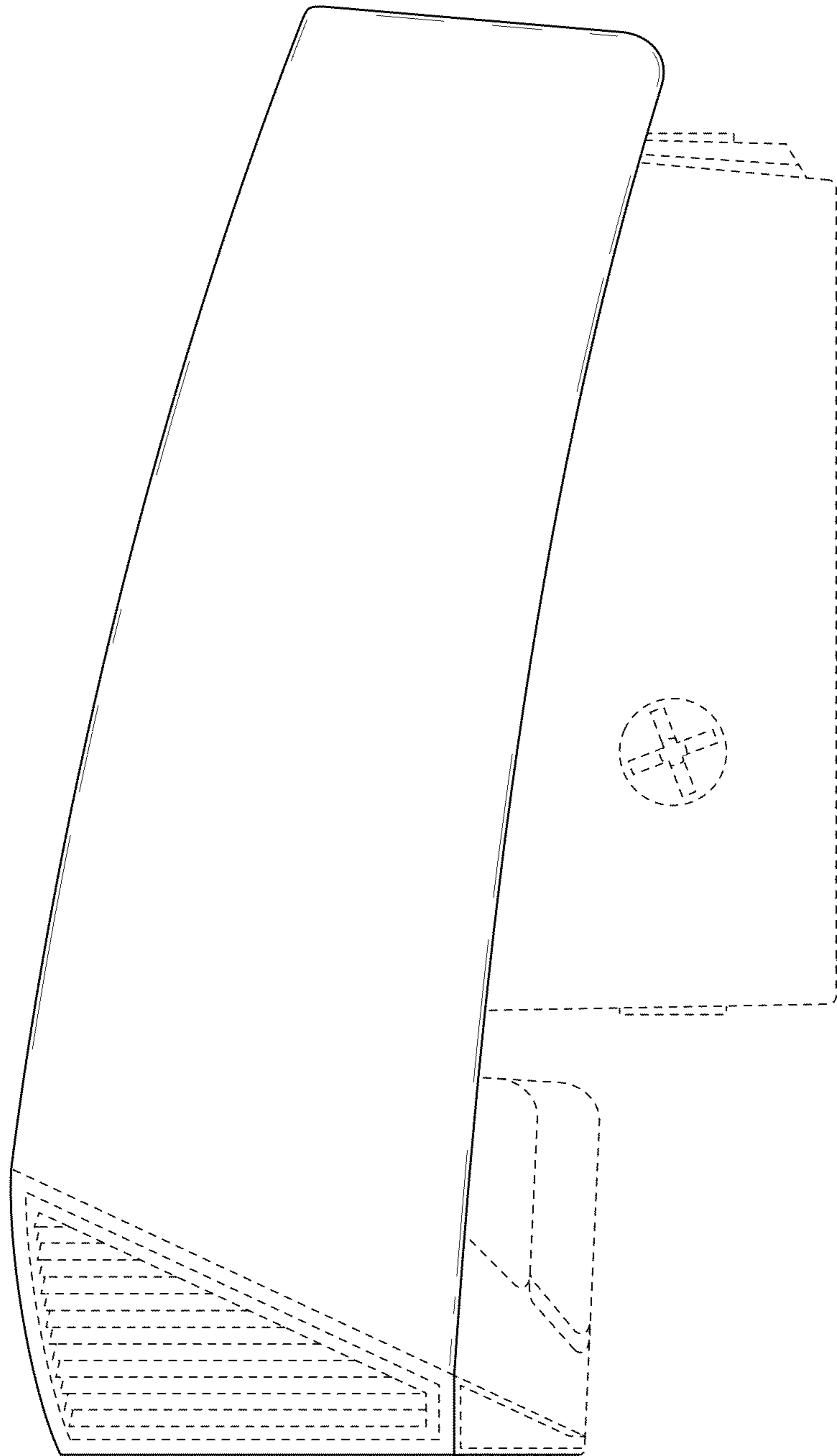


FIG. 4

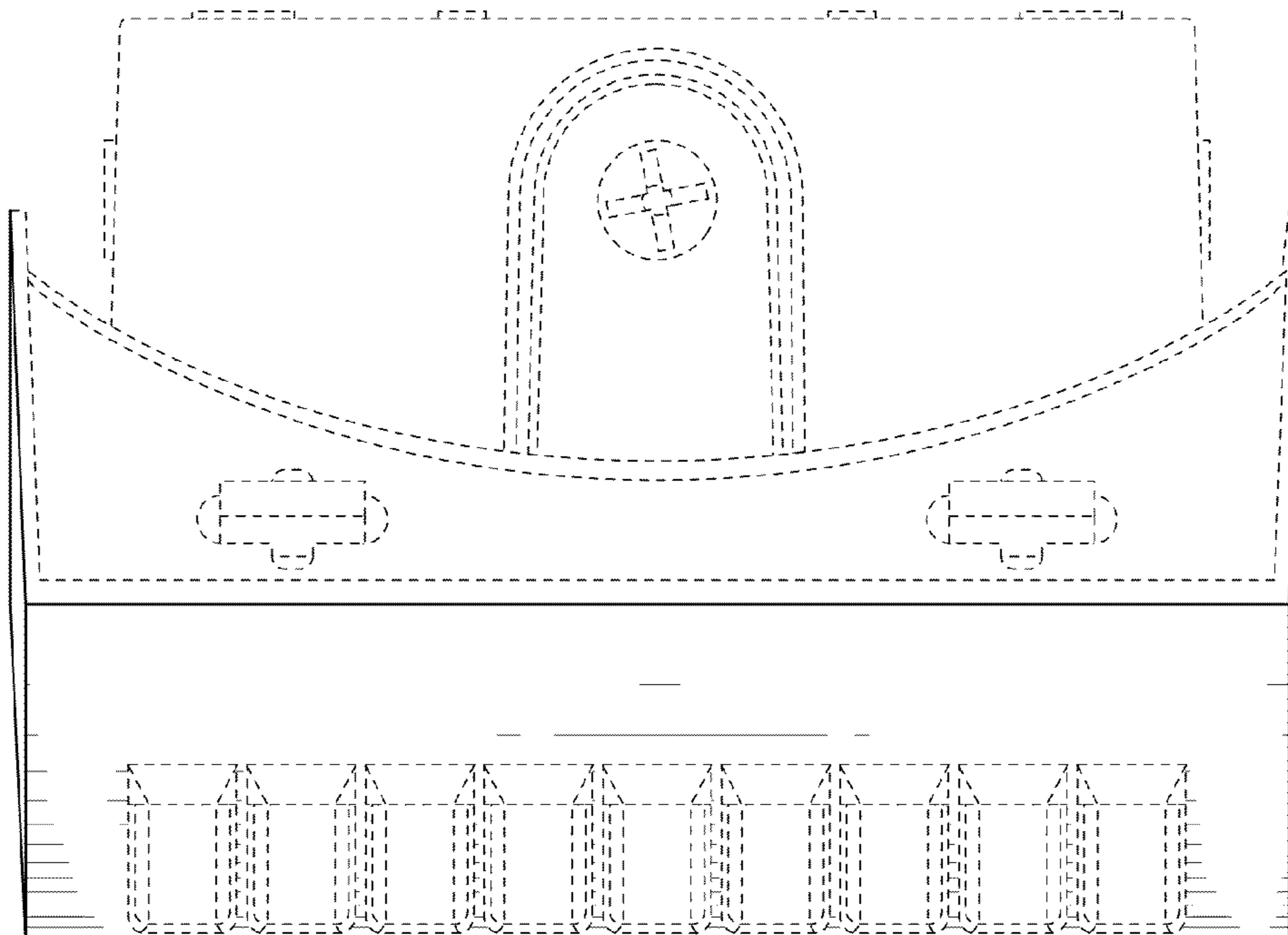


FIG. 5

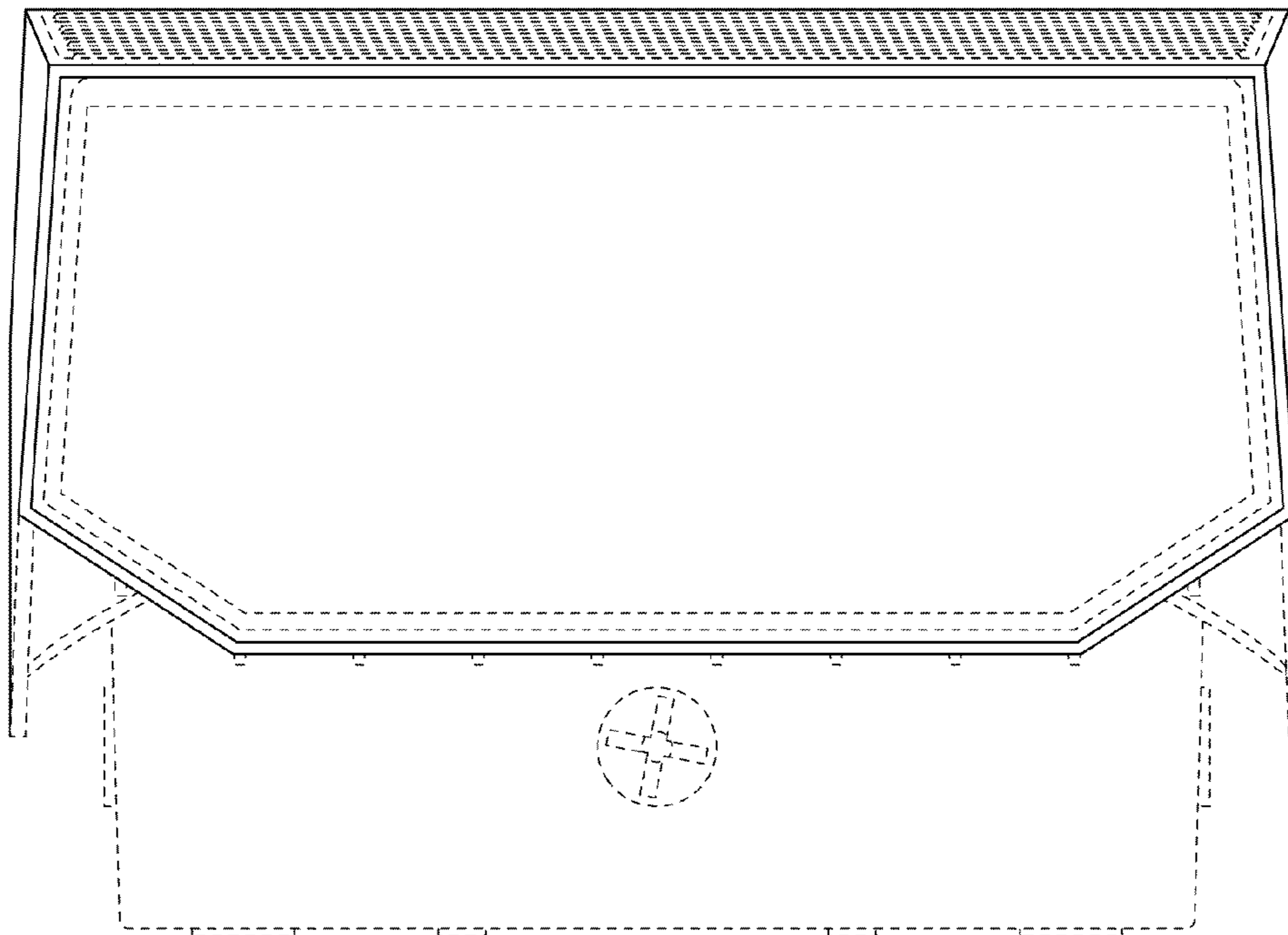


FIG. 6

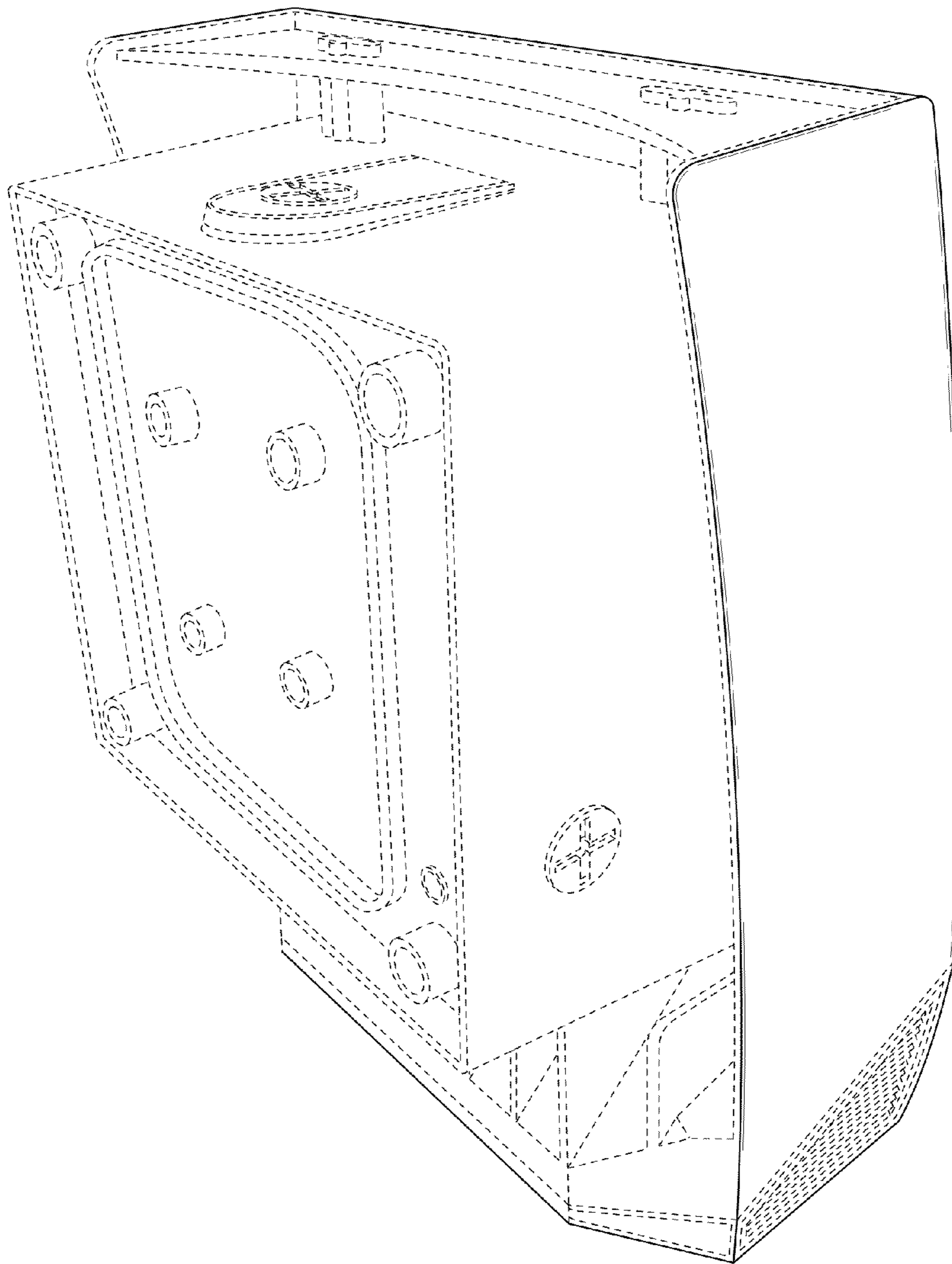


FIG. 7