



US00D747532S

(12) **United States Design Patent**
Gough et al.

(10) **Patent No.:** **US D747,532 S**
(45) **Date of Patent:** **** Jan. 12, 2016**

- (54) **LED LIGHT MODULE**
- (71) Applicant: **Global Tech China Limited**, Kowloon (HK)
- (72) Inventors: **Keith Adrian Gough**, Kowloon (HK); **John Harold Fearnall**, Chester (GB)
- (73) Assignee: **Global Tech China Limited**, Kowloon (HK)
- (**) Term: **14 Years**
- (21) Appl. No.: **29/507,120**
- (22) Filed: **Oct. 24, 2014**
- (51) **LOC (10) Cl.** **26-03**
- (52) **U.S. Cl.**
USPC **D26/85**
- (58) **Field of Classification Search**
USPC D26/72, 85, 87, 89, 92, 118, 120
CPC F21S 8/03; F21S 8/033; F21S 8/036;
F21S 8/037; F21S 8/043; F21S 8/06; F21V
21/02; F21V 33/006; F21W 2131/10; F21W
2131/107; F21W 2131/1005
See application file for complete search history.

- D556,936 S * 12/2007 Miranda D26/85
- D569,029 S * 5/2008 Guercio D26/85
- D592,784 S * 5/2009 van den Dool D26/75
- D612,975 S * 3/2010 Guercio D26/85
- D650,507 S * 12/2011 Osiecki D26/72
- D681,255 S * 4/2013 Bickler D26/85
- 2013/0077306 A1 * 3/2013 Lagutko F21S 8/03
362/244
- 2014/0177228 A1 * 6/2014 Ellingson F21V 29/004
362/294

* cited by examiner

Primary Examiner — Clare E Heflin

(74) *Attorney, Agent, or Firm* — Hamre, Schumann, Mueller & Larson, P.C.

(56) **References Cited**

U.S. PATENT DOCUMENTS

- D248,184 S * 6/1978 Roberts D26/85
- D288,857 S * 3/1987 Spaine D26/72
- 4,951,184 A * 8/1990 Makurof F21V 21/02
362/147
- 5,015,994 A * 5/1991 Hoberman F21S 8/035
250/221
- D454,971 S * 3/2002 Crosby D26/85

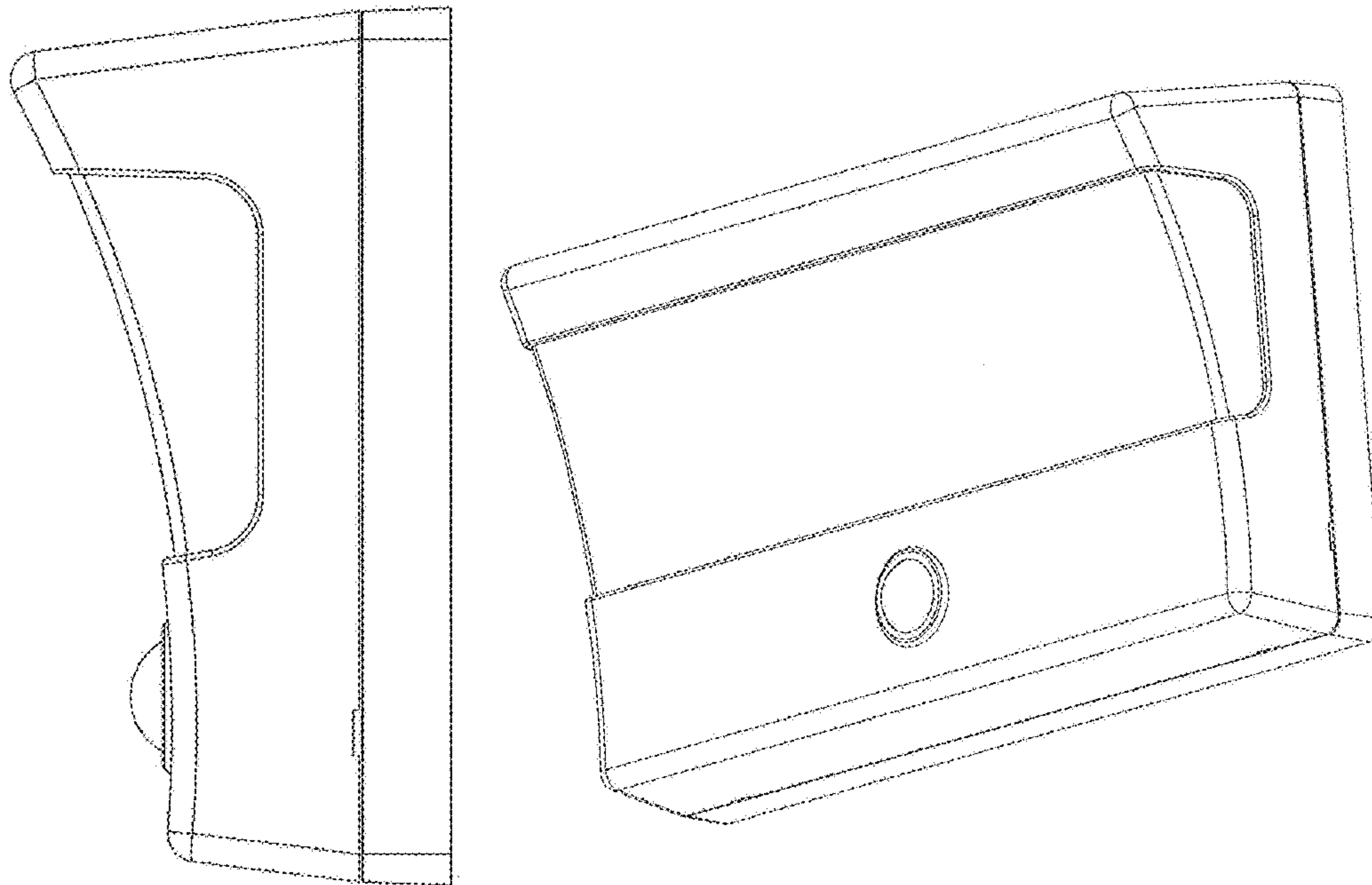
(57) **CLAIM**

The ornamental design for a LED light module, as shown and described.

DESCRIPTION

FIG. 1 is the front view of a LED light module showing my new design;
 FIG. 2 is the rear view thereof;
 FIG. 3 is the left view thereof;
 FIG. 4 is the right view thereof;
 FIG. 5 is the top view thereof;
 FIG. 6 is the bottom view thereof; and,
 FIG. 7 is the perspective view thereof.
 Referring to FIG. 1, the LED light module has a lamp window in the upper front and a PIR sensor lens in the lower front. The broken lines in FIG. 2 represent portions of the LED light module that form no part of the claimed design.

1 Claim, 7 Drawing Sheets



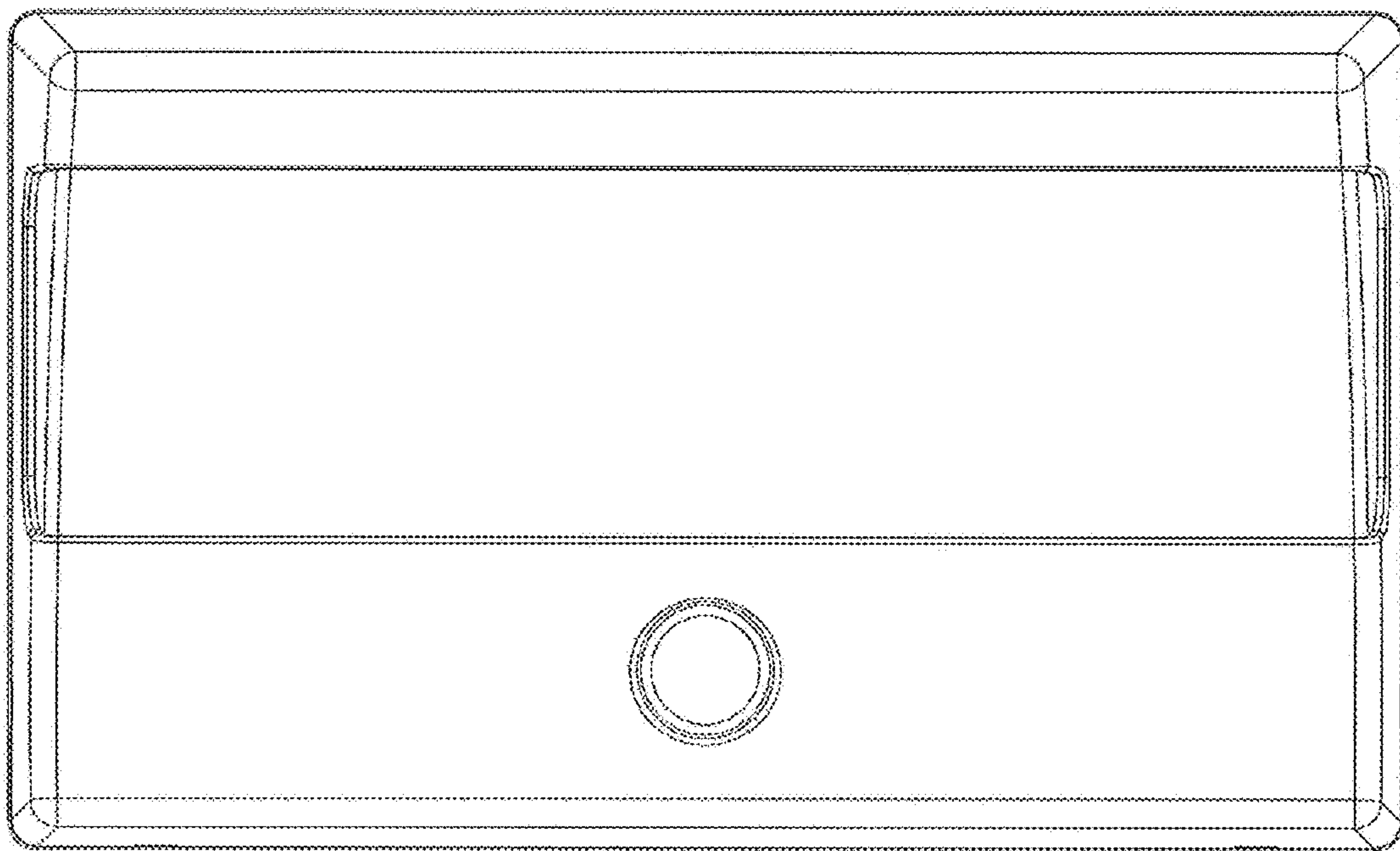


FIG. 1

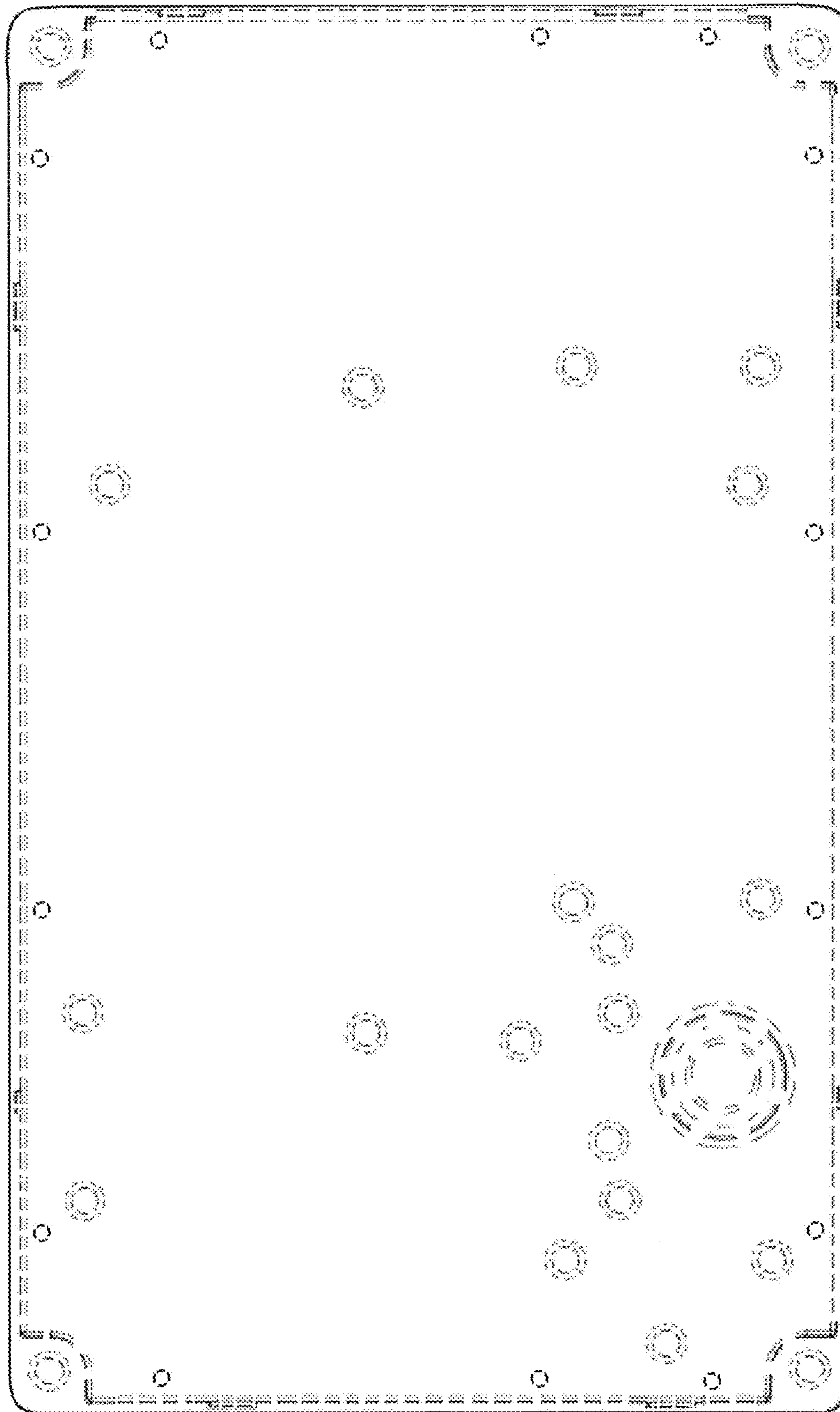


FIG. 2

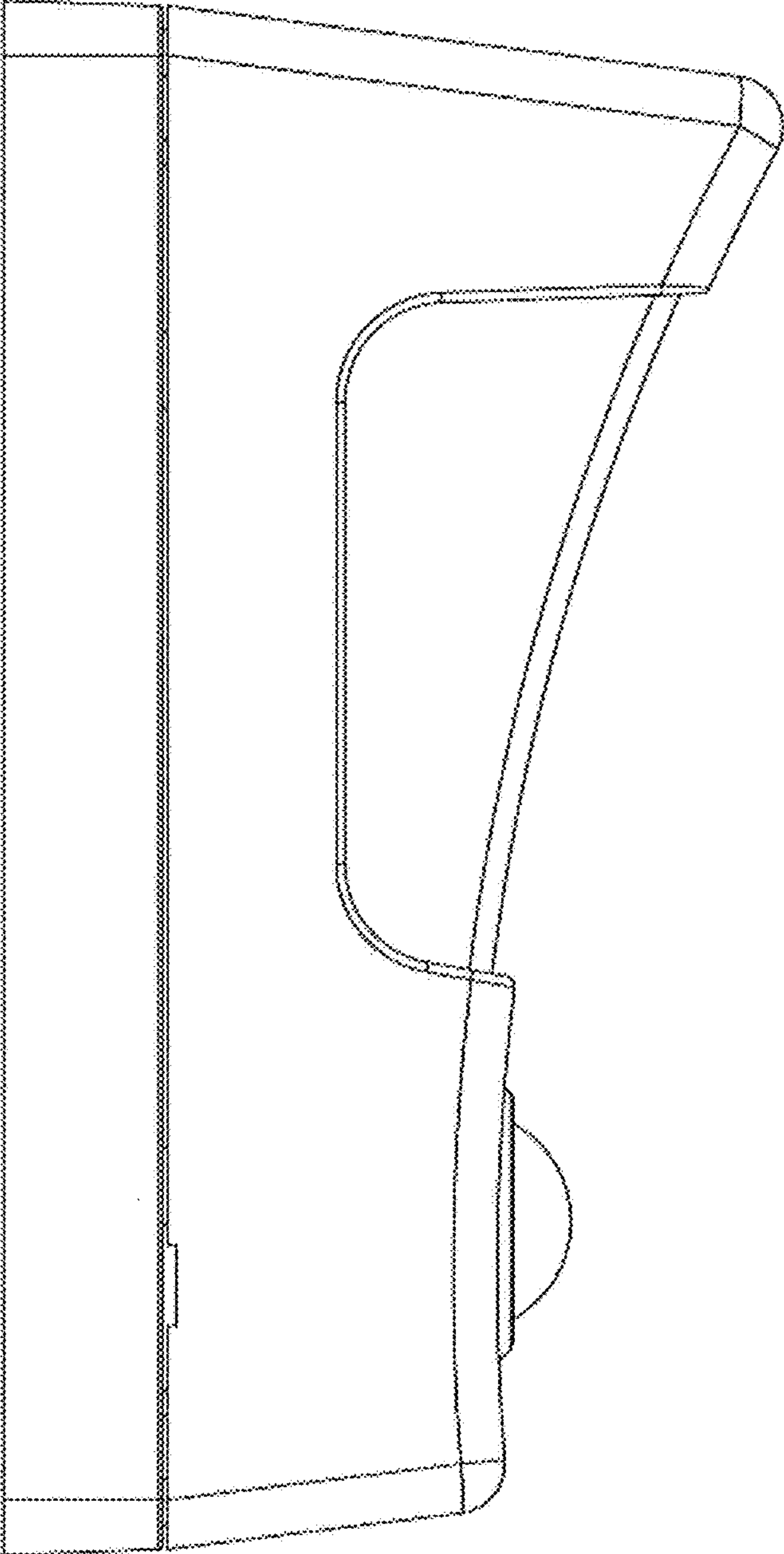


FIG.3

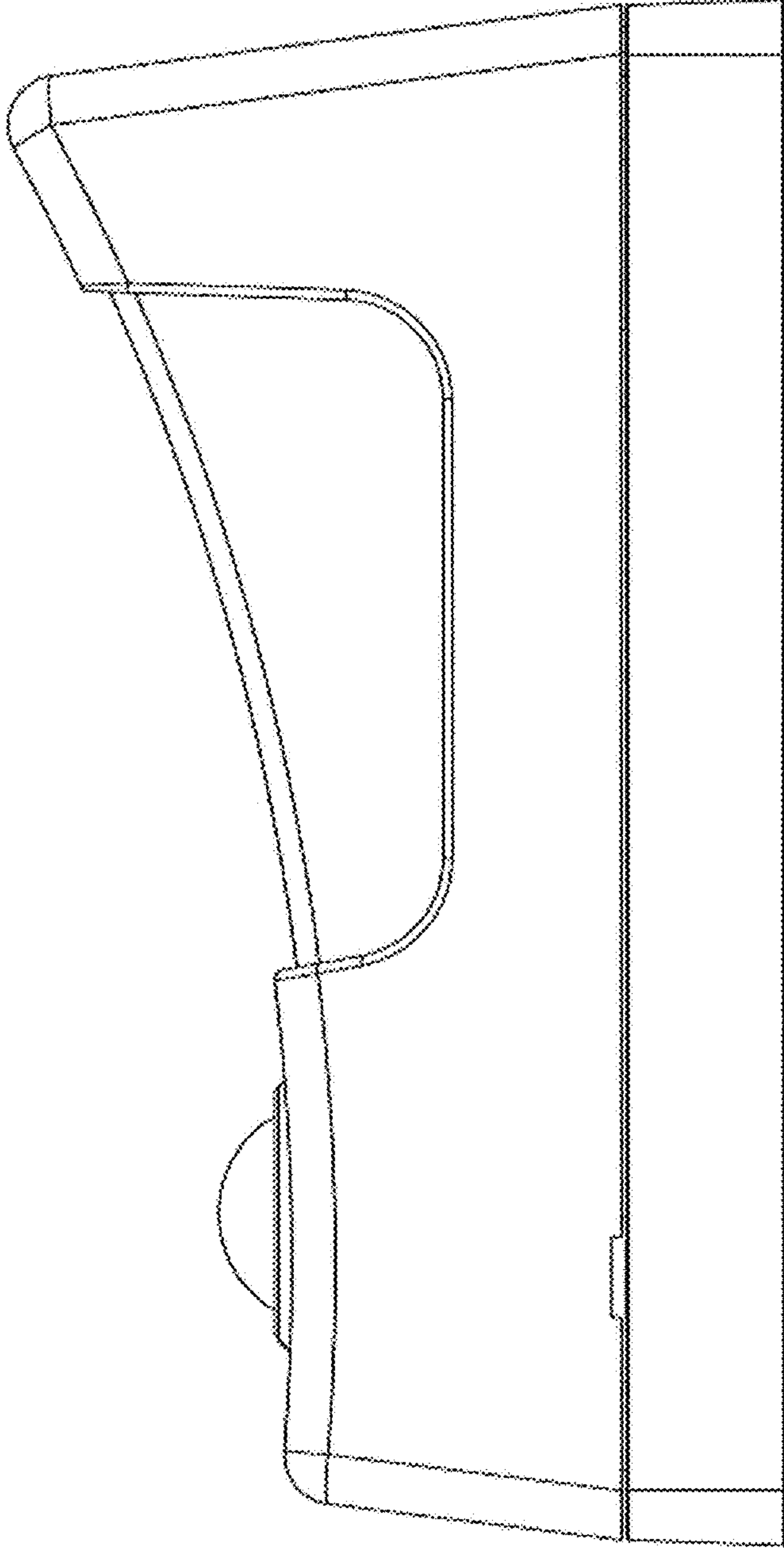


FIG.4

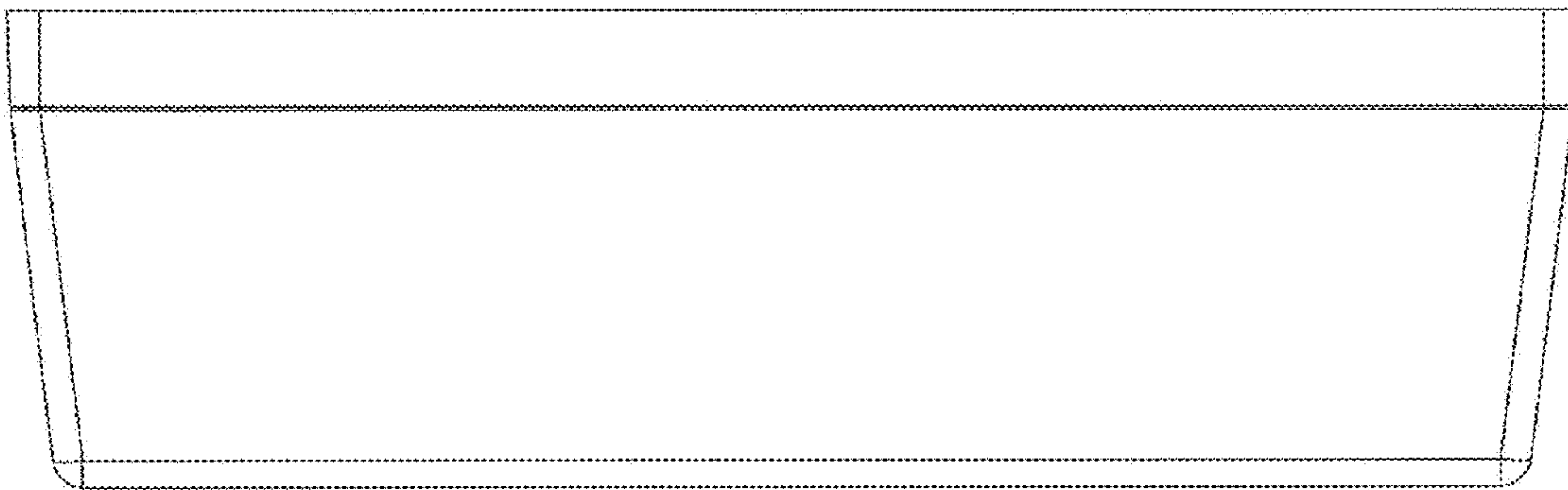


FIG.5

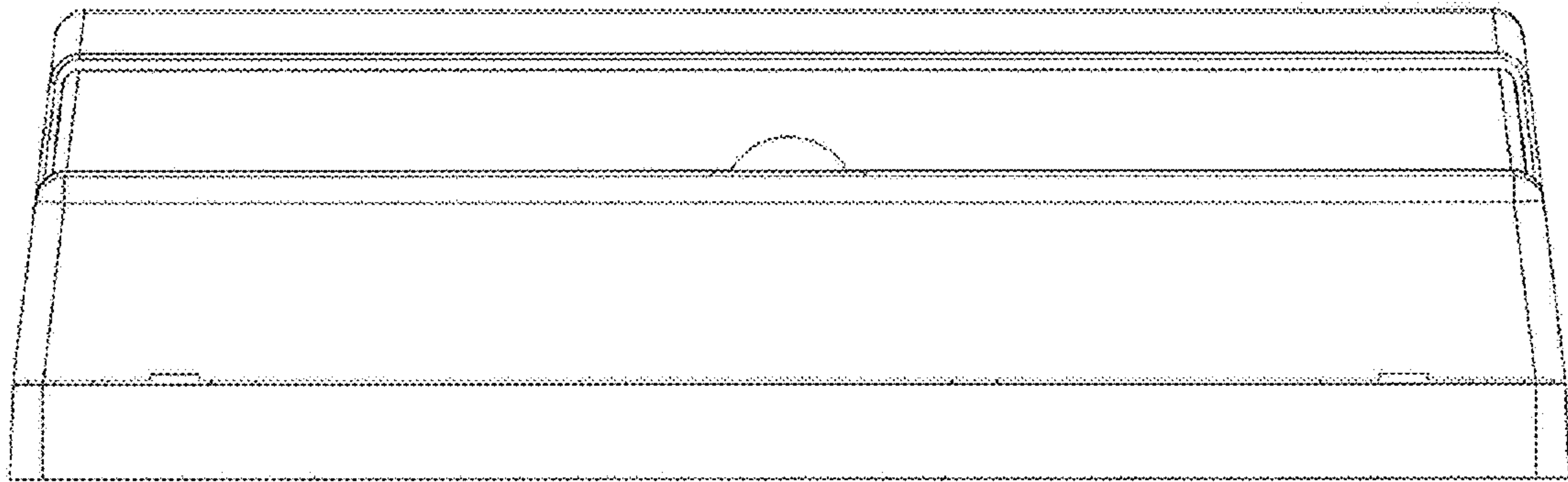


FIG.6

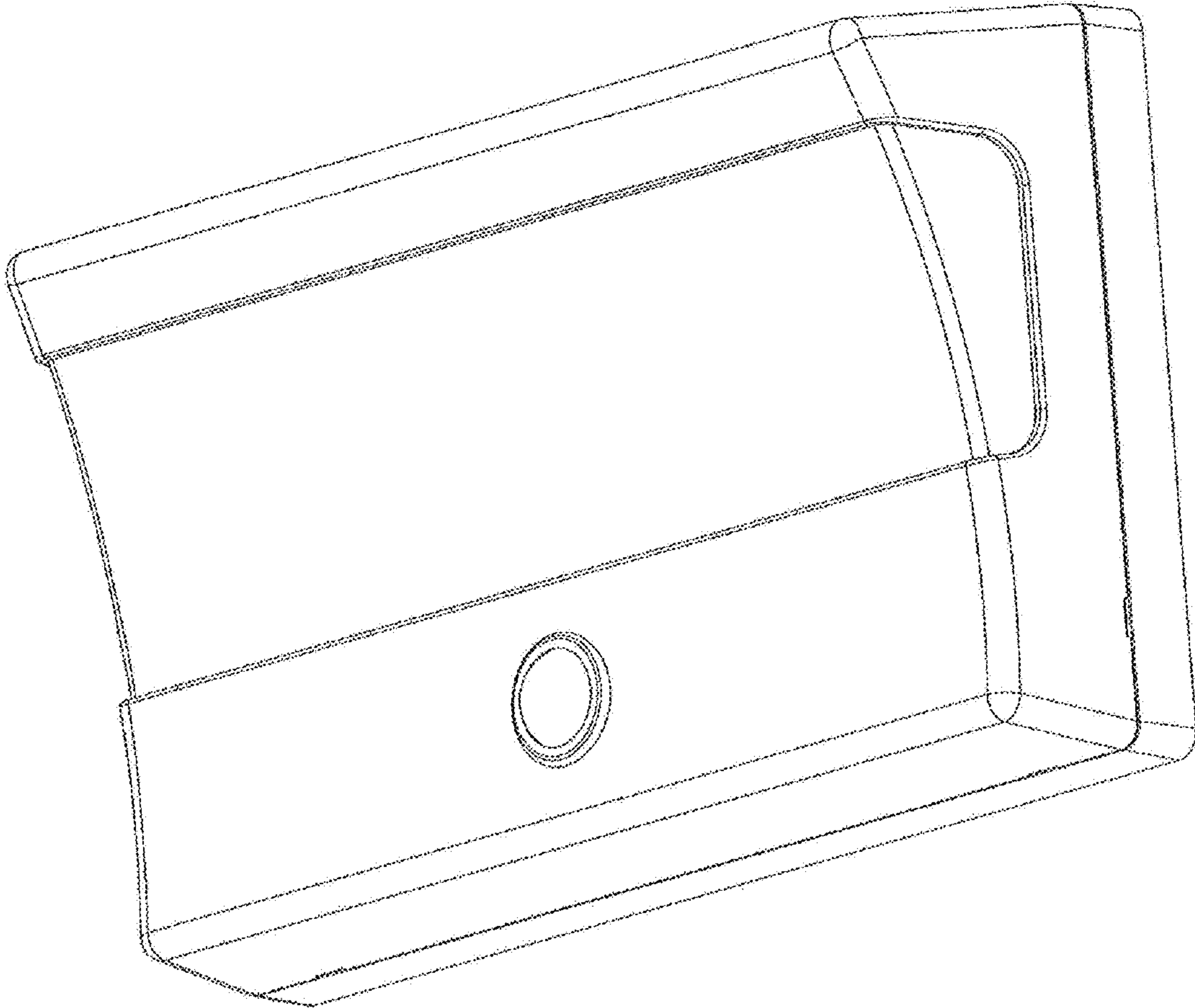


FIG. 7